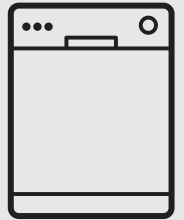




Thinking of you
Electrolux



EN DISHWASHER
ES LAVAVAJILLAS
FR LAVE-VAISSELLE

USE AND CARE GUIDE
GUIA DE USO Y CUIDADO
GUIDE D'UTILISATION ET D'ENTRETIEN

Table of Contents

Finding Information	2
Make a Record for Future use	2
Questions?	2
Internet	2
Table of Contents	2
Safety	3
Important Safety Instructions	3
Feature Overview	4
How your Dishwasher Cleans	4
Operating Instructions	5
Getting Started	5
Wash Cycle Selections	6
Option Selections	6
Cycle Chart	7
Status Indicator Lights	7
Error Indications	7
Preparing & Loading Dishes	8
Dish Preparation	8
Bowl Tines	9
Adjustable Upper Rack	9
Fold-Down Tines	9
Loading Bottom Rack	10
Loading Silverware Basket	10
Adding a dish	10
Dishwasher Dispenser & Detergents ..	11
Filling the Detergent Dispenser	11
How much Detergent to use	11
Detergent Usage Guide	11
Rinse Aid	12
Factors Affecting Performance	12
Water Pressure	12
Water Temperature	12
Care & Cleaning	13
Outside	13
Care of Drain Air Gap	13
Clean the Cyclinder Filter	13
Winterizing	13
Clean the Fine Filter	13
Solutions to Common Problems	15
Food Soils Left on Dishes	15
Dishes Not Dry	15
Dishware Chipped	15
Glassware/Flatware Spotted or Cloudy ..	16
Dishware Stained or Discolored	16
Detergent Left in Cups	16
Etching	16
Normal Sounds You Will Hear	17
Water in Bottom of Tub	17
Dishwasher Won't Run	17
Dishwasher Does Not Drain	17
Properly	17
Cycle Takes a Long Time	17

Dishwasher Leaks	17
Dishwasher Won't Fill	18
Dishwasher Has an Odor	18
Removing Spots and Film	18

Warranty Information

19

Spanish Version

20

Please read and save this guide

Thank you for choosing **Electrolux**, the new premium brand in home appliances. This *Use & Care Guide* is part of our commitment to customer satisfaction and product quality throughout the service life of your new appliance.

We view your purchase as the beginning of a relationship. To ensure our ability to continue serving you, please use this page to record important product information.

Keep a record for quick reference

Purchase date

Electrolux model number

Electrolux serial number

NOTE

Registering your product with Electrolux enhances our ability to serve you. You can register online at www.electroluxappliances.com or by dropping your Product Registration Card in the mail.

Questions?

For toll-free telephone support in the U.S. and Canada:

1-877-4ELECTROLUX (1-877-435-3287)

For online support and Internet production information visit [http://](http://www.electroluxappliances.com)

www.electroluxappliances.com

Important Safety Instructions

Please read all safety instructions before using your new Electrolux dishwasher.

- Read all instructions before using your dishwasher.
- Use your dishwasher only as instructed in this Use and Care Manual.
- This manual does not cover every possible condition and situation that may occur. Use common sense and caution when installing, operating and maintaining any appliance.
- National Sanitation Foundation (NSF) certified residential dishwashers are not intended for licensed food establishments. Such establishments require a higher dishwasher water temperature to meet commercial sanitization requirements.
- **DISHWASHER MUST BE ELECTRICALLY GROUNDED.** Read the Installation Instructions for details.
- This dishwasher is designed to operate on regular house current (120 V, 60 Hz). Use a circuit equipped with a 15 ampere fuse or circuit breaker. Use a 20 ampere fuse or circuit breaker if dishwasher is connected with a food waste disposer.
- Do not operate dishwasher unless all enclosure panels are in their proper place as explained in the Installation Instructions provided with your dishwasher.
- To avoid entrapment and/or suffocation, remove the door to the washing compartment when removing an old dishwasher from service or discarding it.
- Keep young children and infants a safe distance away from the dishwasher when it is in operation.
- Use only detergents and rinse agents recommended for use in a dishwasher.
- Do not abuse, sit on, or stand on the door or dish rack of the dishwasher.
- Store dishwasher detergent and rinse agents out of the reach of children.
- Do not wash plastic items unless marked "dishwasher safe" or the equivalent. Check with manufacturer for recommendations, if not marked. Items that are not dishwasher safe may melt.
- If the dishwasher drains into a food disposal, make sure disposal is completely empty before running dishwasher.

WARNING

This symbol will help alert you to such dangers as personal injury, burns, fire, and electrical shock.

WARNING

To reduce the risk of fire, electrical shock, or injury when using your dishwasher, follow basic precautions including the following:

- Disconnect electrical power to dishwasher before servicing.
- Repairs should be done by a qualified Electrolux professional.
- Do not tamper with controls.
- Use care unloading the dishware when the SANITIZE option has been selected. Contents may be hot to the touch immediately after the end of cycle.
- When loading and unloading items:
 - Locate sharp items and knives so that they are not likely to damage the tub or door seal.
 - Load sharp items and knives with the handles up to reduce the risk of cut-type injuries. Alternatively, place sharp items and knives in the utensil shelf located in the upper rack.
- Under certain conditions, hydrogen gas may be produced in a hot water system that has not been used for 2 weeks or more. **HYDROGEN GAS IS EXPLOSIVE.** If hot water system has not been used for such a period, before using dishwasher, turn on all hot water faucets and let water flow from each for several minutes. This will release any accumulated hydrogen gas. **HYDROGEN GAS IS FLAMMABLE.** Do not smoke or use an open flame during this time.
- Do not store or use combustible materials, gasoline or other flammable vapors and liquids in the vicinity of this or any other appliance.

NOTE

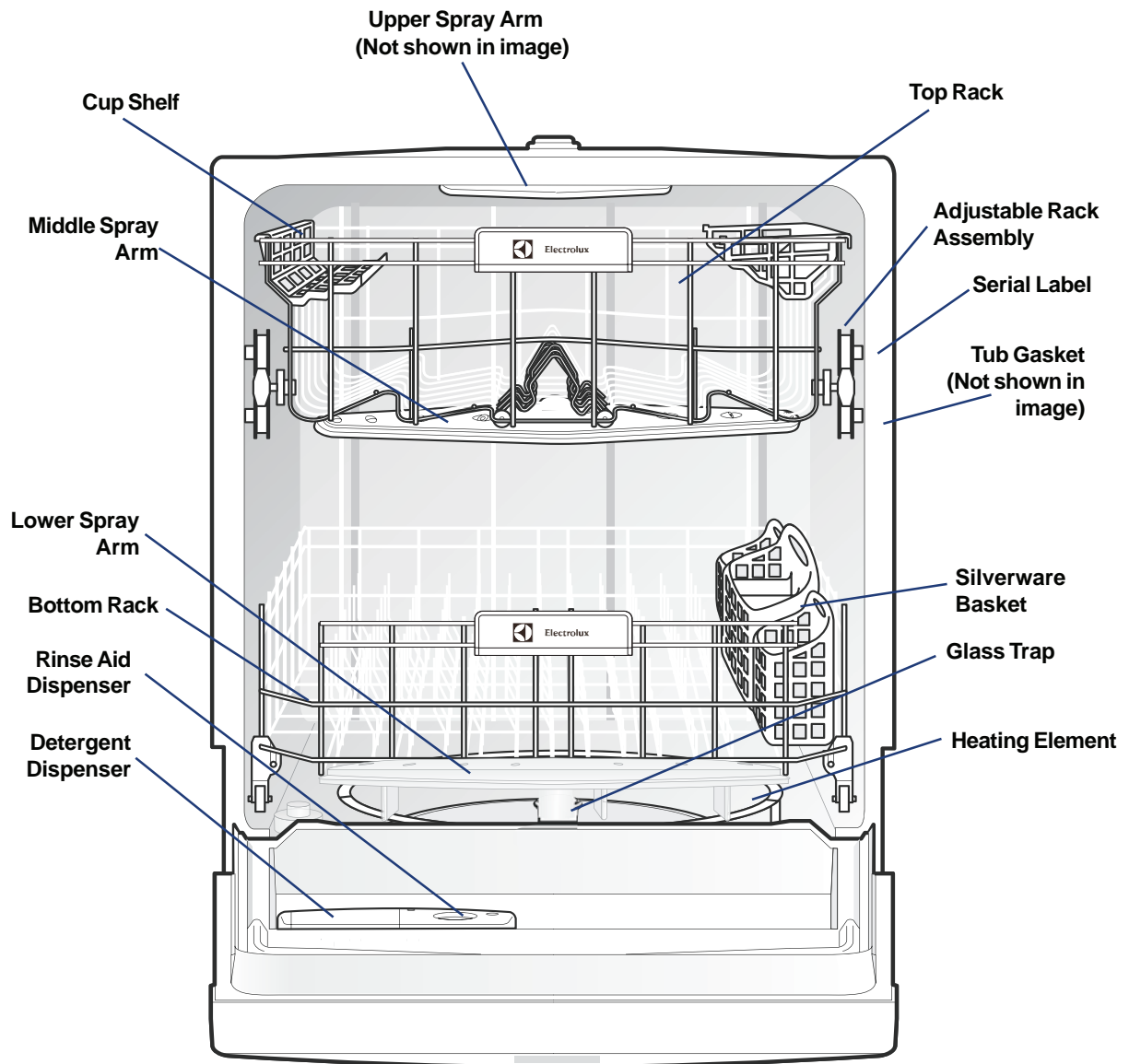
Save these important safety instructions for future reference.

Feature Overview

HOW YOUR DISHWASHER CLEANS

Your dishwasher cleans by spraying a mixture of hot water and detergent through the spray arms against soiled surfaces. Each cycle begins by filling with water covering the filter area. Water is pumped through the filter and spray arms.

Soil particles go down the drain as the water is pumped out and replaced with clean water. The number of water fills will vary with the cycle being used.



GETTING STARTED

To run your dishwasher, follow these basic steps:

- 1 Load dishwasher. (See Preparing and Loading Dishes)
- 2 Add detergent. (See Dishwasher Dispenser & Detergents)
- 3 Add rinse aid, if needed. (See Rinse Aid)
- 4 Select desired CYCLE. (See Cycle Selections). **The touchpads are illuminated white when selected.**
- 5 Select desired OPTIONS. (See Energy Options Selections). **The touchpads are illuminated white when selected.**
- 6 To start, press START/CANCEL pad and close door. (See Start/Cancel)

NOTE

The dishwasher is programmed to remember your last cycle so you do not have to reset each time. To start the dishwasher using the same cycle and options selected on the previous wash, just press the START/CANCEL pad.

WASH CYCLE SELECTIONS

Cycle times are approximate and will vary with options selected. Hot water is necessary to activate dishwasher detergent and melt fatty food soils. An automatic sensor will check the incoming water temperature and, if it is not hot enough, the timer will be delayed for automatic water heating in the main wash of all cycles. This happens even when HI-TEMP WASH option has not been selected. When HI-TEMP WASH is selected, an even higher temperature will be guaranteed to handle heavier soil loads.

OPTION SELECTIONS

Hi-Temp Wash

When HI-TEMP WASH option is selected, the dishwasher heats water in the main wash to approximately 140°F (60°C).

This increase in water temperature helps dishwasher detergent remove food grease and soil from dishes more effectively and aids in drying. This option is available in NORMAL WASH and LIGHT WASH. HI-TEMP WASH is automatically provided when HEAVY WASH cycle is selected.

Sanitize Option

To sanitize your dishes and glassware, select the SANITIZE option. When selected, the light above the pad will come on. The water temperature in the final rinse will be raised to 155°F (68°C) assuring bacteria is destroyed. This option is available in HEAVY WASH, NORMAL WASH and LIGHT WASH. Only these sanitization cycles have been designed to meet NSF requirements.

The cycle time will be extended until the proper water temperatures are reached. Washing action will continue during the water heating delay. For best results, the incoming water temperature should be at least 120°F (49°C).

The sanitize criteria may not be satisfied if there is an interruption of the cycle, power failure or if the incoming water temperature is below 120°F (49°C).

To turn off the SANITIZE option, press the pad a second time. The light above the pad will turn off.

To Cancel a Cycle

You can cancel a cycle anytime during the cycle. Press START/CANCEL pad and the dishwasher will start a 60 second drain. At the end of the drain, select the desired cycle.

When an option is selected, the light above the pad will come on and remain on until end of cycle. To turn off the option, press the pad a second time. The light above the pad will turn off.

Child Lock Controls.

To prevent children from accidentally changing the dishwasher cycle or starting the dishwasher, lock the dishwasher controls by pressing and releasing the AIR DRY pad for 3 seconds. An indicator light on the lock graphic pad will illuminate when the controls are locked and no new selections can be made until the lock is released. To unlock the controls, press the AIR DRY pad until the indicator light goes out.

Air Dry

The unit defaults to heated dry when it is started with any cycle selected. This drying uses a combination of the heated dry with rinse aid that achieves enhanced drying performance. If you prefer to only have AIR DRY for dishes, you will select AIR DRY and the unit will not energize the heating element. This will reduce energy consumption, but reduce drying performance.

Cycle Chart (* Includes dry time.)

Delay Start

The DELAY START option allows you to automatically delay starting your dishwasher from 1-24 hours.

On models with 1-24 hour delay, press the DELAY START pad until the desired delay time shows in the STATUS window. A light will come on indicating the delay start hours and will remain on until cycle starts.

To cancel the DELAY START option and begin the cycle before the delay period is over, press the START/CANCEL pad.

Smart Soil Sensor

The Smart Soil Sensor checks the soil level on your dishes in the Heavy Wash, Light Wash, and Normal Wash cycles. Depending on soil level, the sensor will determine if additional water fills are needed to clean the dishes or if water fills can be deleted. Cycle time and water usage will vary based on the amount of soil on the dishes. Cycle time will also vary based on the options selected and the incoming water temperature.

(Not all cycles available on all models.)

Cycle	To Select Cycle	Soil Level	Water (approx.)	Time* (mins)	Washes/Rinses
Heavy Wash For pots, pans, casseroles and dinnerware with dried-on or baked-on soils.	Select HEAVY WASH and desired OPTIONS. HI-TEMP WASH will automatically be provided.	Heavy and Medium	8.0 gal. 6.7 imp. gal. 30.4 liters	135	3 washes 4 rinses
		Light	3.5 gal. 2.9 imp. gal. 13.3 liters	130	1 wash 2 rinses
Normal Wash For regularly soiled dishes and silverware.	Select NORMAL WASH and desired OPTIONS.	Heavy	6.9 gal. 5.8 imp. gal. 26.1 liters	120	3 washes 3 rinses
		Medium	3.5 gal. 2.9 imp. gal. 13.3 liters	135	1 wash 2 rinses
		Light	3.5 gal. 2.9 imp. gal. 13.3 liters	135	1 wash 2 rinses
Auto Wash A fast wash for lightly soiled dishes and silverware.	Select AUTO WASH and desired OPTIONS.	Heavy	6.9 gal. 5.8 imp. gal. 26.1 liters	120	3 washes 3 rinses
		Medium and Light	3.5 gal. 2.9 imp. gal. 13.3 liters	135	1 washes 2 rinses
Eco For lightly soiled china and crystal.	Select ECO and desired OPTIONS.		5.8 gal. 4.8 imp. gal. 21.8 liters	105	3 washes 2 rinses
Quick For lightly soiled and pre-rinsed dishes and silverware.	Select QUICK and desired OPTIONS.		4.7 gal. 3.9 imp. gal. 17.6 liters	70	2 washes 2 rinses
Rinse Only For rinsing dishes that will be washed later.	Select RINSE ONLY. DO NOT USE detergent.		2.4 gal. 2.0 imp. gal. 9.0 liters	17	2 rinses



STATUS INDICATOR LIGHTS

NOTE

Lights and Display on top of console will shut off when the door is closed. They will light up when the door is opened and display time remaining will be displayed for several seconds. Then "Cd" will display flashing, informing you to close the door so the cycle can continue.

When the SANITIZE option is selected, the SANITIZED light will glow when the SANITIZE cycle is finished and remain on for 30 seconds after the door is opened. If the dishwasher did not properly sanitize the dishes, the light will not come on. This can happen if the cycle is interrupted or if incoming water temperature is below 120°F.

The CLEAN light will come on at the end of the cycle. When the door is opened at end of cycle and remain on for 30 seconds after door is opened.

PF.....	Appears in window when dishwasher is first installed, or when power has been interrupted. HI-TEMP WASH and NO HEAT DRY indicator lights will also flash. To clear, touch START/CANCEL pad.
1H-24H...	Number of delay start hours. Count down are in hours.
Cd.....	Close dishwasher door. The status indicator lights will also flash to indicate current cycle status.
Minutes.....	Number of minutes left in cycle (1-200).

Error Indications

In certain situations which are critical to the machine function and safe operation, the control shall shut down and indicate an error code 'Er', or 'CE' (See Error Codes).

If one of these codes are displayed contact the Electrolux Customer Care Center at **1-877-435-3287**. They will be able to provide assistance in troubleshooting the problem and/or locating an authorized service technician, if needed.

NOTE

The wash cycle time could suddenly increase or drop several minutes. This means the Smart Sensor has checked the soil level and determined if additional water fills are needed or if water fills can be deleted.

DISH PREPARATION

Scrape away large pieces of food, bone, pits, toothpicks, etc. The wash system will remove remaining food particles. Gently scrape away burned-on food with a non-scratch utensil or let dish soak before washing (see Figure 1). Empty liquids from glasses and cups.

Foods containing vegetable oil and/or chemical additives such as mustard, mayonnaise, vinegar, lemon juice or tomato-based products may cause discoloration of stainless steel and plastics if allowed to sit for a long period of time. Unless the dishwasher is to be operated at once, it is best to rinse off these food soils.

- Load racks so that large items do not prevent the detergent dispenser from opening.
- Check manufacturer's recommendations before washing items in question.
- If the dishwasher drains into a food disposal, **be sure disposal is completely empty before starting dishwasher.**

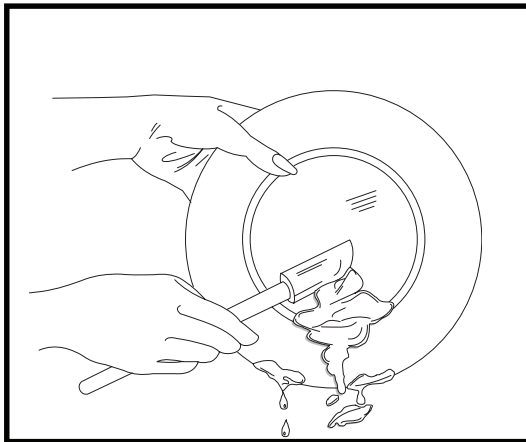


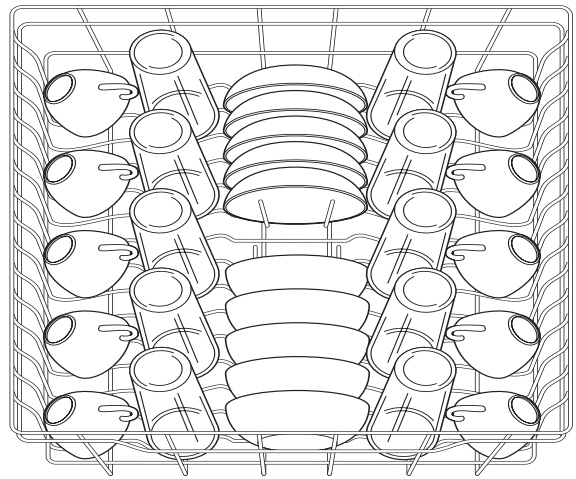
Figure 1

LOADING THE TOP RACK

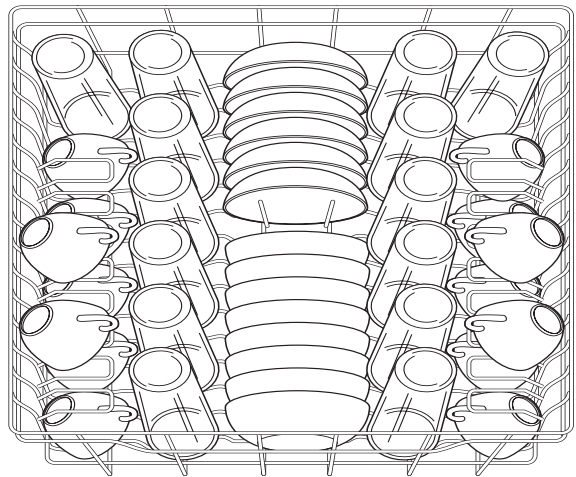
(For best washing performance, the upper rack should be in the raised position.)

The top rack is designed for flexibility in loading a wide variety of items including cups, glasses, stemware, small plates, bowls, etc.

- Load glasses in top rack. Damage may occur if placed in bottom rack unless Stemware Cycle is selected.
- Damage may occur if delicate items touch each other during dishwasher operation.
- Long-handled knives and utensils can be placed in the top rack's versa tray.
- Be sure nothing protrudes through the bottom of the rack to block rotation of middle spray arm.
- Load items with open ends facing down for better cleaning and draining.



10 place settings standard loading pattern

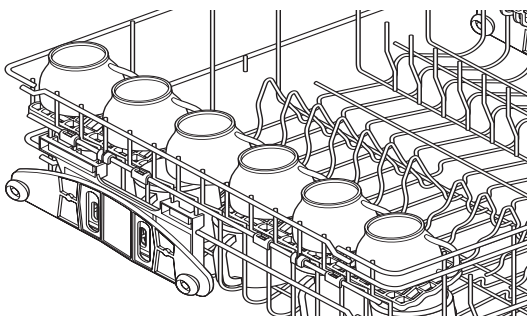
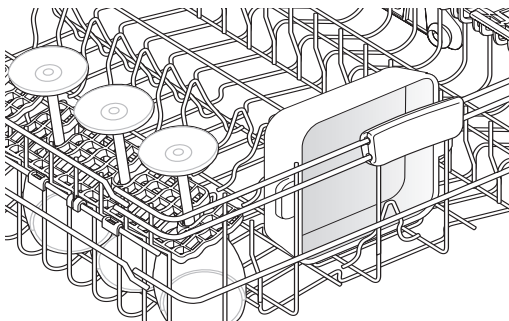
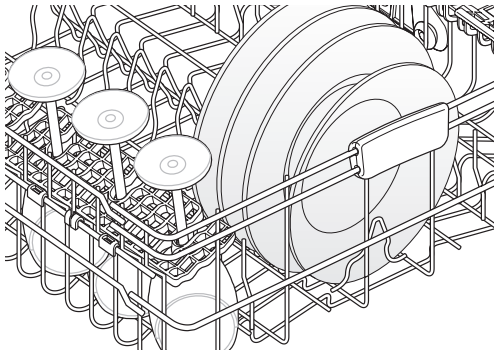


12 place settings standard loading pattern

Some models have a fold-down cup shelf or a cup shelf/stemware holder. They can be used to load two levels of cups, juice glasses, and other short items. Stagger items on upper level so that water can reach all inside surfaces. Fold up to load tall glasses.

Bowl Tines

The bowl tines offer the ultimate in flexibility. When closed, load with saucers or small dishes. Open halfway and it is perfect for small casseroles. Open completely for those hard to fit items such as coffee pots, food processors, etc. As you load your dishwasher, you will find many other ways to use this unique feature.

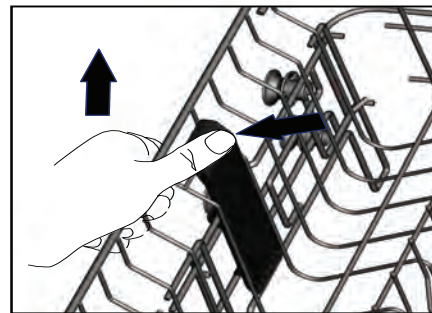
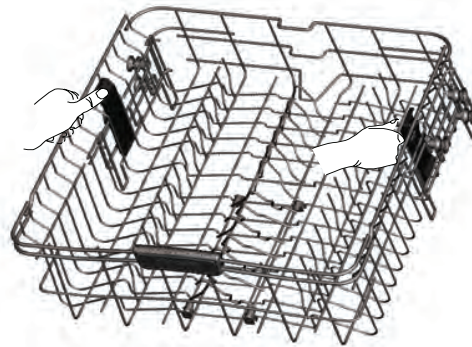


Adjustable Upper Rack (available on select models)

The top rack height can be easily adjusted to accommodate loading taller dishes in either rack. Height should be adjusted without dishes in the racks.

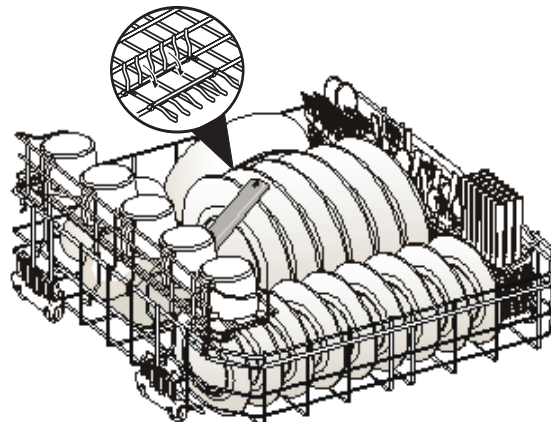
To accommodate taller dishes in the bottom rack, there are 2 positions available:

To raise the rack to the middle or upper position, simply lift the rack. The lever is spring loaded to engage the upper position. To lower the rack to the lower position, push lever with thumbs and push downward simultaneously. To ensure ease of adjustment when adjusting the rack, ensure that the rack remains level from front to back with both sides at the same height.



Fold-Down Tines

The fold-down tines in the lower rack make easy loading for those extra large and hard-to-fit items. The tines may be left up for normal use or folded down for more flexible loading. Fold down for more space to load large pots or pans.



10 Preparing & Loading Dishes

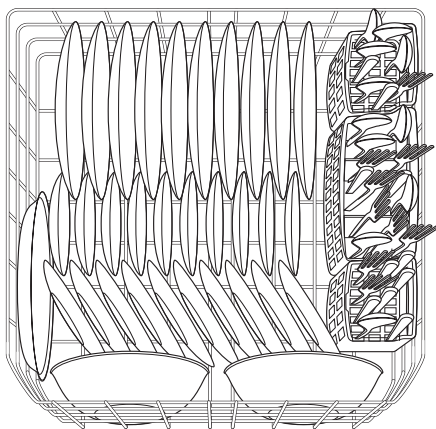
Loading the Bottom Rack

Features and appearance of racks and silverware basket may vary from your model.

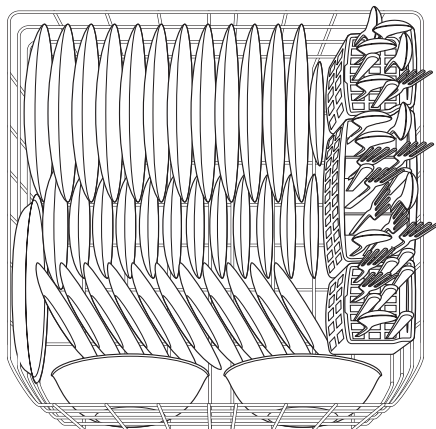
The lower rack is best for plates, saucers, bowls, and cookware. Large items should be placed along the edge so they do not block the spray arm rotation. For best results, place bowls, casseroles, and sauce pans with soiled surface facing down or toward the center. Tilt slightly for better drainage.

Make sure tall items do not block spray arm rotation.

Be sure pan handles do not protrude through the bottom of the rack and block the spray arm rotation.



10 place settings standard loading pattern



12 place settings standard loading pattern

CAUTION

TO AVOID CUT INJURY: Load sharp items (knives, skewers, etc.) pointing down. Failure to do so may result in injury.

Loading the Silverware Basket

Features and appearance of racks and silverware basket may vary from your model.

Load the silverware basket while it is in the bottom rack or take the basket out for loading on a counter or table.

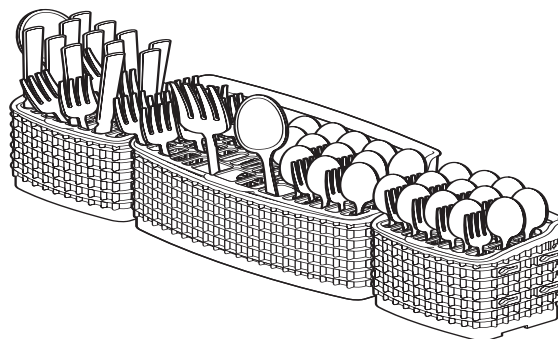
Place small items like baby bottle caps, jar lids, corn cob holders, etc., in a covered section. Close the cover to hold small items in place.

Use suggested loading patterns, as shown, to increase washability of your silverware.

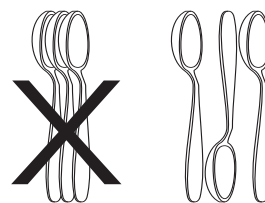
Be sure nothing protrudes through bottom of basket or rack to block the spray arm.

Do not mix silver and stainless to avoid damaging the silver finish.

The silverware basket can be separated and placed in several locations in the bottom rack. Load silverware in all sections or just one, depending on your load.



When covers are up, mix items in each section of the basket with some pointing up and some down to avoid nesting. Water spray cannot reach nested items.



Adding a Dish

To add or remove items after wash cycle starts:

- Unlatch door and wait a few seconds until wash action stops before opening.
- Add the item and wait a few seconds to allow cold air to slowly expand inside dishwasher.
- Close door firmly to latch and resume cycle.

Filing the Detergent Dispenser

The detergent dispenser has one covered and one uncovered cup. Detergent in the uncovered cup falls into the dishwasher when the door is closed. The covered cup opens automatically to release detergent.

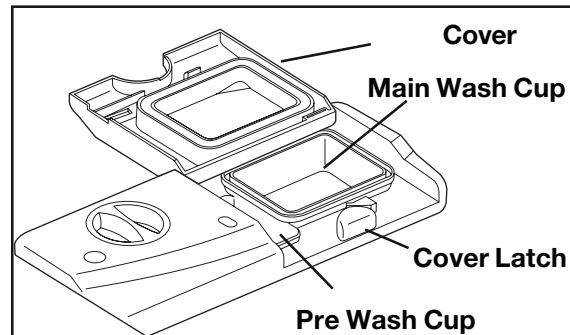
- Use only fresh automatic dishwashing detergent. Other detergents will cause oversudsing.
- When using automatic dishwashing detergent tabs, place one tab in main wash cup and close.
- Add detergent just before starting cycle.
- Store detergent in a cool, dry location. Moist or caked detergent will not dissolve properly.

CAUTION

The use of industrial grade detergent can damage parts of the dishwasher leading to damage to the unit and surrounding property. Use only household grade automatic dishwasher detergents.

How much Detergent to use

The amount of detergent to use depends on the water hardness. Water hardness is measured in grains per gallon. Using too little detergent can result in poor cleaning and hard water filming or spotting. Using too much detergent in soft water can cause a permanent film called etching. Your local water company, water softener company or county extension agent can tell you the water hardness in your area.



If the cover is closed on the Main Wash Cup, open by pressing the cover latch.

Detergent Usage Guide

Cycle	Soft Water (0-3 grains)	Medium Hard Water (4-8 grains)	Hard Water (9-12 grains)	Very Hard Water* (over 12 grains)
Heavy Wash or Normal Wash	2 teaspoons (each cup— 1/4 full)	5 teaspoons (each cup—fill to line above "Regular")	8 teaspoons (each cup— completely full)	Each Cup— Completely Full (water softener recommended)
Light Wash	2 teaspoons (Main Wash cup— 1/4 full)	5 teaspoons (Main Wash cup—fill to line above "Regular")	8 teaspoons (Main Wash cup— completely full)	Main Wash Cup— Completely Full (water softener recommended)
Rinse Only	No Detergent	No Detergent	No Detergent	No Detergent (water softener recommended)

NOTE

For very hard water, detergent alone may not be enough. A water softener is recommended to improve water quality and dishwashing performance. Try adding more detergent at the beginning of the main wash portion of the cycle. As a rule, use 1 teaspoon for each grain above 12. Unlatch the door, open slowly and add detergent to the bottom of the tub. Close the door to latch and the dishwasher will continue through the cycle.

RINSE AID

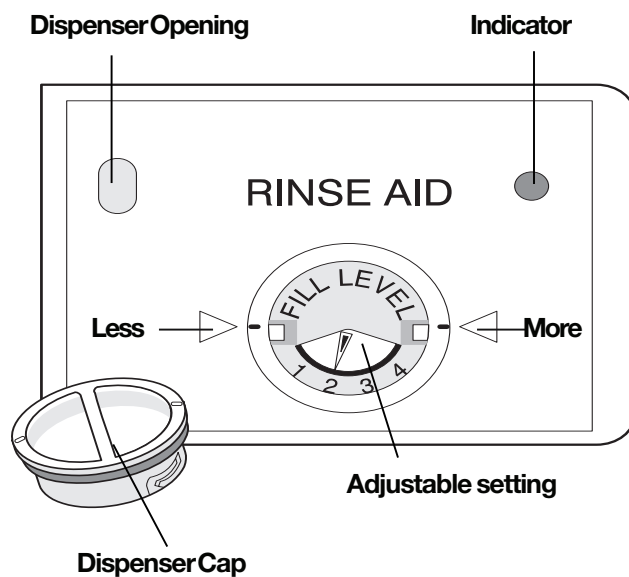
Rinse aid greatly improves drying and reduces water spots and filming. Water "sheets" off dishes rather than forming water droplets that cling and leave spots.

A dispenser, located next to the detergent cup, automatically releases a measured amount of rinse aid during the last rinse. If spotting and poor drying are problems, increase the amount of rinse aid dispensed by rotating the dial to a higher number. The dial is located under the dispenser cap. The indicator will be dark when full and will show clear when it is time to refill. On models with a STATUS window, LO will appear at the end of the cycle indicating that it is time to refill.

To add liquid rinse aid, turn dispenser cap 1/4 turn counterclockwise and lift out. Pour in rinse aid until liquid touches the indicated fill level. Replace cap.

Do not overfill since this can cause oversudsing. Wipe up any spills with a damp cloth.

The dispenser holds enough for 35 to 140 washes, depending on setting.



WATER PRESSURE

The hot water line to the dishwasher must provide water pressure between 20 and 120 pounds per square inch (psi).

Low water pressure may occur when laundry or showers are in operation. Wait until water use is reduced before starting dishwasher.

WATER TEMPERATURE

Hot water is needed for best dishwashing and drying results. Water entering the dishwasher should be at least 120°F (49°C) to give satisfactory results.

To check water temperature entering the dishwasher:

- 1 Turn on hot water faucet nearest dishwasher for several minutes to clear cool water from pipes.
- 2 Hold a candy or meat thermometer in stream of water to check the temperature.
- 3 If temperature is below 120°F (49°C), have a qualified person raise the water heater thermostat setting.

→ IMPORTANT

Before starting a cycle, run hot water to clear cool water from pipe.

The HEAT DRY option in combination with rinse aid will enhance drying performance. The energy required to use the HEAT DRY option costs pennies per cycle. You may choose not to select the HEAT DRY option; however you will have items in your dish load that will not be completely dry at the end of the cycle.

WARNING**Burn Hazard**

Allow heating element to cool before cleaning the interior.
Failure to do so can result in burns.

Outside—Occasionally wipe with a mild nonabrasive detergent and water. Rinse and dry.

Clean the Stainless Steel Inner Door and Tub

The tub is made of Stainless Steel, it will not rust or corrode if the dishwasher should be scratched or dented.

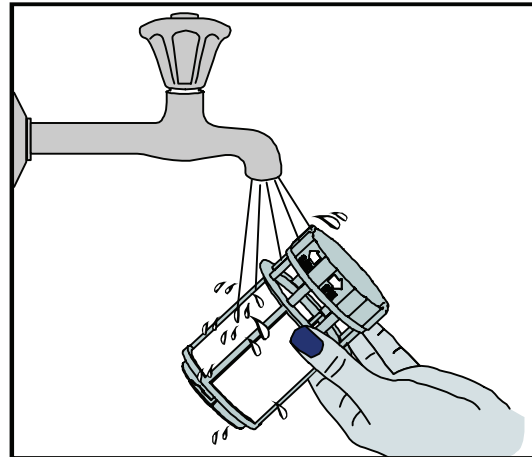
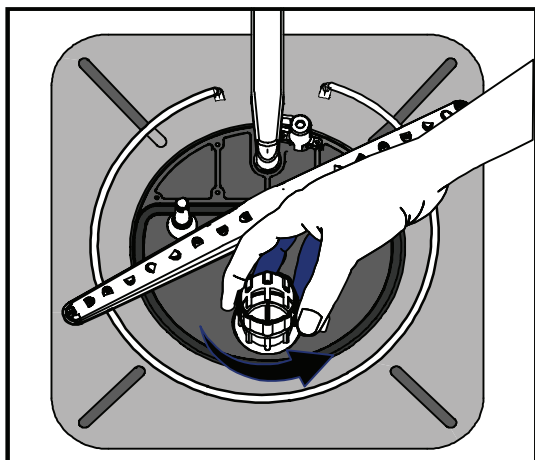
Care of Drain Air Gap

If a drain air gap was installed for your built-in dishwasher, check to make sure it is clean so the dishwasher will drain properly. A drain air gap is usually mounted on countertop and can be inspected by removing the cover. This is not part of your dishwasher and is not covered by warranty.

Clean the Cylinder Filter

The Cylinder Filter is designed to collect some big items such as broken glass, bones and pits. The Cylinder Filter needs to be cleaned to maximize wash performance.

Remove the lower rack, rotate the Cylinder Filter as shown, lift it out, empty and clean it by rinsing it under running water and replace.

**WINTERIZING**

A dishwasher left in an unheated place should be protected from freezing. Have a qualified person do the following:

To Disconnect Service:

1. Turn off electrical power to the dishwasher at the supply source by removing fuses or tripping circuit breaker.
2. Shut off water supply.
3. Place a pan under the inlet valve. Disconnect water line from inlet valve and drain into pan.
4. Disconnect drain line from pump and drain water into pan.

To Restore Service:

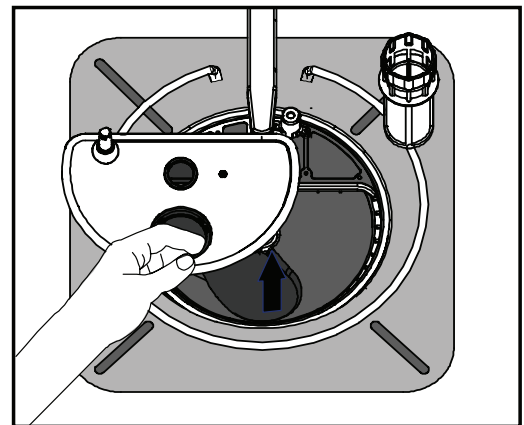
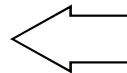
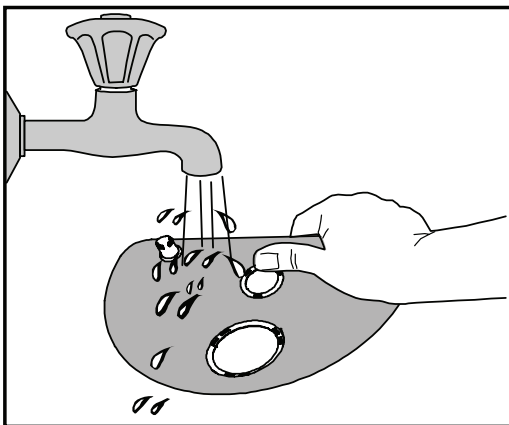
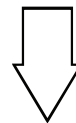
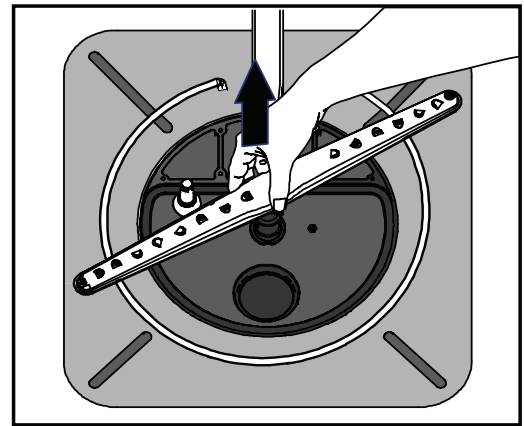
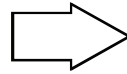
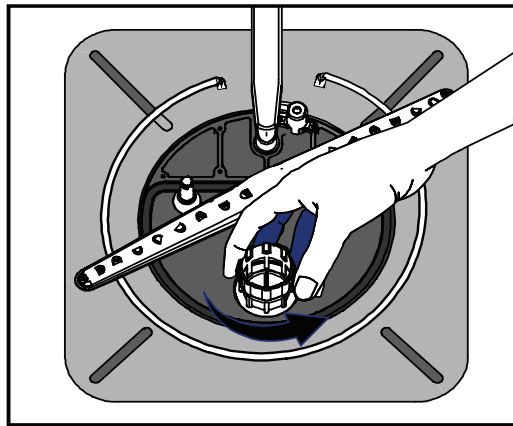
1. Reconnect the water, drain, and electrical power supply.
2. Turn on water and electrical power supply.
3. Fill both detergent cups and run dishwasher through a HEAVY WASH cycle.
4. Check connections to make sure they do not leak.

NOTE

Hard water may cause lime deposit buildup on the interior of the dishwasher. For cleaning instructions see "Removing Spots and Film" section.

CLEAN THE FINE FILTER

Take out the Cylinder Filter and remove the Fine Filter from the dishwasher tub bottom. To remove the Fine Filter you must first remove the bottom spray arm as shown below. Flush the Fine Filter by holding it under running water and replace.



IMPORTANT

Before calling for service, review this list. It may save you both time and expense. This list includes common experiences that are not the result of defective workmanship or material in your dishwasher.

FOOD SOILS LEFT ON DISHES

- Check incoming water temperature. (See Getting Started) It should be at least 120°F (49°C). (See Factors Affecting Performance.)
- Choose another cycle for longer washing time.
- Check rack loading section for proper loading—avoid nesting items.
- Home water pressure may be too low—should be 20 to 90 pounds per square inch (psi).
- Check water hardness. For extremely hard water, it may be necessary to install a water softener. (See Detergent Usage Guide)
- Use fresh detergent.
- Make sure items are not blocking any of the spray arms, preventing them from rotating.

DISHES NOT DRY

- Make sure the rinse aid dispenser is filled.
- Increase the amount of rinse aid (See Rinse Aid).
- Check the incoming water temperature. Be sure it is at least 120°F (49°C).
- Check for proper loading—avoid nesting items.
- Plastic items may need to be towel dried. More water collects on plastic items when cycle is complete because they do not get as hot as glass or metal items.
- Cups with a concave bottom will collect water.

DISHWARE CHIPPED

- Load with care and do not overload. (See Preparing and Loading Dishes)
- Place delicate items in top rack.
- Place glasses securely against pins and not over pins.
- Load items so they are secure and don't jar loose when moving racks in and out. Move racks in and out slowly.
- Make sure tall glasses and stemware will clear top of tub when rack is pushed in.
- It is recommended to wash fine antique china and crystal by hand.

GLASSWARE / FLATWARE SPOTTED OR CLOUDY

- Check water hardness. For extremely hard water, it may be necessary to install a water softener. (See Detergent Usage Guide)
- Water temperature may be low. Avoid extremely low or high temperatures. (See Factors Affecting Performance)
- Avoid overloading and improper loading. (See Preparing and Loading Dishes)
- Use fresh detergent. Old detergent is ineffective.
- Make sure rinse aid dispenser is filled.
- Check to see that proper amount of detergent is being used for cycle selected. (See Detergent Dispenser)
- Home water pressure may be too low—it should be 20 to 90 pounds per square inch (psi).

ETCHING

- Using too much detergent in soft or softened water causes this film that cannot be removed.
- Adjust the amount of detergent based on the water hardness. (Check Detergent Usage Guide)
- Lower the water temperature.

DISHWARE STAINED OR DISCOLORED

- Tea and coffee can stain cups. Remove the stains by hand washing in a solution of 1/2 cup (120 ml) bleach and one quart (1 L) of warm water. Rinse thoroughly.
- Iron deposits in water can cause a yellow or brown film. A water filter installed in-line with your water supply will correct this problem.
- Aluminum utensils can leave gray/black marks when they rub against other items. Load properly.
- Certain high acid foods can cause discoloration of stainless steel and plastics if allowed to sit for a long period. Use the Rinse cycle or rinse by hand if not operating dishwasher at once.
- Mixing stainless steel and silver utensils in silverware basket can cause pitting on the stainless steel utensils. Avoid mixing stainless steel and silver.

DETERGENT LEFT IN DISPENSER CUP

- Detergent may be old. Discard and use fresh detergent.
 - Be sure water action can reach the dispenser make sure spray arm is not blocked.
 - Check to see if cycle has been completed.
 - Make sure items do not prevent the detergent dispenser from opening.
 - Make sure the upper rack is firmly engaged to the nozzle on the back of the tub before closing the door.
-

DISHWASHER LEAKS

- Use only fresh detergent designed for automatic dishwashers. Measure detergent carefully. Try a different brand.
- Spilled rinse aid can cause foam and lead to overflowing. Wipe up any spills with a damp cloth.
- Check to see that dishwasher is level (See Installation Instructions).

NORMAL SOUNDS YOU WILL HEAR

- Normal sounds include water fill, water circulation and motor sounds.
- Pump pulsing will cause motor speed to increase and decrease at regular intervals during cycles.

WATER IN THE BOTTOM OF THE TUB

- It is not normal for water to remain in the bottom of the tub at the end of a cycle. If water remains in the bottom of the tub at the end of a cycle, the dishwasher may not be draining properly. (See Dishwasher Does Not Drain Properly). The filter may also need to be cleaned. (See Care of Filter) *Note: It is normal to see a small amount of water under the filter at the end of a cycle.*

DISHWASHER WON'T RUN

- Check to see if circuit breaker is tripped or if a fuse is blown.
- Make sure water supply is turned on.
- Check to see if cycle is set correctly. (See Operating Instructions)
- Check to see if the DELAY START option has been selected.
- Make sure door is closed and latched.
- Check to see if dishwasher is in the Child Lock cycle.

DISHWASHER DOES NOT DRAIN PROPERLY

- If unit is hooked up to a garbage disposal, make sure the disposer is empty.
- If unit is hooked up to a new food waste disposer, check to see if the "knockout" plug located inside the disposal inlet has been removed.
- Check to see if drain hose is kinked.
- Make sure cycle is complete, not in a pause.

CYCLE TAKES A LONG TIME

- Check to see if cycle is in a water heating delay.
- Check to see if the delay start option has been selected.
- Check to see if the sanitize option has been selected.

DISHWASHER WON'T FILL

- Check to see if the water supply is turned on.
- Add 1/2 cup of water to the bottom of the unit and start again.

DISHWASHER HAS AN ODOR

- Soiled dishes left in dishwasher too long can create an odor. Use Rinse cycle.
- There will be a "new" smell when first installed. This is normal.
- Check to see if unit is draining properly (See Dishwasher Does Not Drain Properly).

REMOVING SPOTS AND FILM

Hard water can cause lime deposit build-up on the interior of the dishwasher. Dishes and glasses may also get spots and film for a number of reasons (See Glassware/Flatware Spotted or Cloudy).

To remove build-up, spots and film, clean using the following instructions:

- 1** Load clean dishes and glasses in normal manner. Do not load any metal utensils or silverware.
- 2** Do not add detergent.
- 3** Select the NORMAL WASH cycle. Press START/CANCEL pad and close door.
- 4** Allow dishwasher to run until it begins the second fill. Open door and pour 2 cups of white vinegar into the bottom of dishwasher.
- 5** Close and latch door and allow cycle to finish.

NOTE

If these conditions persist, a home water softener should be considered.

Your appliance is covered by a one year limited warranty. For one year from your original date of purchase, Electrolux will repair or replace any parts of this appliance that prove to be defective in materials or workmanship when such appliance is installed, used, and maintained in accordance with the provided instructions. The stainless tub and door liner of your appliance are covered by a lifetime limited warranty. During the lifetime of the appliance, Electrolux will provide a replacement stainless tub or door liner that fails to contain water due to a defect in materials or workmanship if the appliance has been installed, used, and maintained in accordance with the provided instructions. In addition, the dishwasher racks and the electronic control module of your appliance are covered by a two through five year limited warranty. During the 2nd through 5th years from your original date of purchase, Electrolux will provide a replacement dishwasher rack or electronic control module for your appliance which has proven to be defective in materials or workmanship when such appliance is installed, used, and maintained in accordance with the provided instructions.

Exclusions

This warranty does not cover the following:

1. Products with original serial numbers that have been removed, altered or cannot be readily determined.
2. Product that has been transferred from its original owner to another party or removed outside the USA or Canada.
3. Rust on the interior or exterior of the unit.
4. Products purchased "as-is" are not covered by this warranty.
5. Food loss due to any refrigerator or freezer failures.
6. Products used in a commercial setting.
7. Service calls which do not involve malfunction or defects in materials or workmanship, or for appliances not in ordinary household use or used other than in accordance with the provided instructions.
8. Service calls to correct the installation of your appliance or to instruct you how to use your appliance.
9. Expenses for making the appliance accessible for servicing, such as removal of trim, cupboards, shelves, etc., which are not a part of the appliance when it is shipped from the factory.
10. Service calls to repair or replace appliance light bulbs, air filters, water filters, other consumables, or knobs, handles, or other cosmetic parts.
11. Labor or in-home service costs during the additional limited warranty periods beyond the first year from your original date of purchase.
12. Pickup and delivery costs; your appliance is designed to be repaired in the home.
13. Surcharges including, but not limited to, any after hour, weekend, or holiday service calls, tolls, ferry trip charges, or mileage expense for service calls to remote areas, including the state of Alaska.
14. Damages to the finish of appliance or home incurred during transportation or installation, including but not limited to floors, cabinets, walls, etc.
15. Damages caused by: services performed by unauthorized service companies; use of parts other than genuine Electrolux parts or parts obtained from persons other than authorized service companies; or external causes such as abuse, misuse, inadequate power supply, accidents, fires, or acts of God.

DISCLAIMER OF IMPLIED WARRANTIES; LIMITATION OF REMEDIES

CUSTOMER'S SOLE AND EXCLUSIVE REMEDY UNDER THIS LIMITED WARRANTY SHALL BE REPAIR OR REPLACEMENT AS PROVIDED HEREIN. **CLAIMS BASED ON IMPLIED WARRANTIES, INCLUDING WARRANTIES OF MERCHANTABILITY OR FITNESS FOR A PARTICULAR PURPOSE, ARE LIMITED TO ONE YEAR OR THE SHORTEST PERIOD ALLOWED BY LAW, BUT NOT LESS THAN ONE YEAR.** ELECTROLUX SHALL NOT BE LIABLE FOR CONSEQUENTIAL OR INCIDENTAL DAMAGES SUCH AS PROPERTY DAMAGE AND INCIDENTAL EXPENSES RESULTING FROM ANY BREACH OF THIS WRITTEN LIMITED WARRANTY OR ANY IMPLIED WARRANTY. SOME STATES AND PROVINCES DO NOT ALLOW THE EXCLUSION OR LIMITATION OF INCIDENTAL OR CONSEQUENTIAL DAMAGES, OR LIMITATIONS ON THE DURATION OF IMPLIED WARRANTIES, SO THESE LIMITATIONS OR EXCLUSIONS MAY NOT APPLY TO YOU. THIS WRITTEN WARRANTY GIVES YOU SPECIFIC LEGAL RIGHTS. YOU MAY ALSO HAVE OTHER RIGHTS THAT VARY FROM STATE TO STATE.

If You Need Service

Keep your receipt, delivery slip, or some other appropriate payment record to establish the warranty period should service be required. If service is performed, it is in your best interest to obtain and keep all receipts. Service under this warranty must be obtained by contacting Electrolux at the addresses or phone numbers below.

This warranty only applies in the USA, Puerto Rico and Canada. In the USA and Puerto Rico, your appliance is warranted by Electrolux Major Appliances North America, a division of Electrolux Home Products, Inc. In Canada, your appliance is warranted by Electrolux Canada Corp. Electrolux authorizes no person to change or add to any obligations under this warranty. Obligations for service and parts under this warranty must be performed by Electrolux or an authorized service company. Product features or specifications as described or illustrated are subject to change without notice.

USA
1-877-435-3287
Electrolux Major Appliances North America
10200 David Taylor Drive
Charlotte, NC 28262

Canada
1-800-265-8352
Electrolux Canada Corp.
5855 Terry Fox Way
Mississauga, Ontario, Canada L5V 3E4

TABLA DE MATERIAS

Donde Obtener Información 20

Anote estos datos para uso futuro	20
¿Consultas?	20
Internet	20

Seguridad 21

Instrucciones importantes sobre seguridad	21
---	----

Descripción de las Características 22

Cómo funciona su lavavajillas	22
-------------------------------------	----

Instrucciones de Funcionamiento 23

Cómo usar el lavavajillas	23
Selecciones de ciclos de opciones	23
Selecciones de ciclos chart	24
Selecciones de funcionamiento	24
Indicador visual	25
Indicaciones del Error	25

Preparación y Carga de la Vajilla 26

Preparación de los platos	26
Carga de la canastilla superior	26
Soportes para Tazones	27
Rejilla Superior Ajustable	27
Opción de Abatible Tines	28
Carga De La Canastilla Inferior	28
Cómo Cargar la Canasta de Cubiertos	29
Agregando un Plato	29

Distribuidor y Detergentes del Lavavajillas 30

Llenado del distribuidor de detergente ..	30
Cantidad de detergente necesaria	30
Guía de uso del detergente	30
Agente de enjuague	31

Factores que Afectan el Rendimiento. 31

Presión del agua	31
Temperatura del agua	31

Cuidado y Limpieza 32

Exterior	32
Limpie el Filtro del Cilindro	32
Preparación para el invierno	32
Limpie el Filtro Fino	33

Solucionesa Problemas Comunes 34

Quedan manchas de alimentos	
en los platos	34
Los platos no se secan	34
Fisuras superficiales	34
Cuchillería o artículos de vidrio manchados	
u opacos	35
Vajilla dañada	35
Vajilla manchada o descolorida	36
Queda detergente en el compartimiento	
del distribuidor	36

El lavavajillas tiene escape	36
Sonidos normales que usted escuchará .	36
Agua en el fondo de la tina	36
El lavavajillas no funciona	37
El lavavajillas no se llena	37
El lavavajillas tiene un olor	37
El lavavajillas no desagua bien	37
El ciclo demora demasiado tiempo	37
Para quitar películas y manchas	37

Información sobre la Garantía 39

Version in English 2

Version en français 40

Leer y ahorrar por favor esta guía

Gracias por elegir **Electrolux**, la nueva marca de fabrica superior en los aparatos electrodomesticos. Este & del uso; La guía del cuidado es parte de nuestra comision a la satisfaccion del cliente y de calidad del producto a traves de la vida de servicio de tu nueva aplicacion.

Vemos tu compra como el principio de una relacion. Para asegurar nuestra capacidad de continuar sirviendote, utilizar pro favor esta pagina para registrar la informacion de producto importante.

Guardar un expediente para la referencia rapida

Fecha de la compra

Numero de modelo de Electrolux

Numero de serie de Electrolux

¿CONSULTAS?

Para la ayuda gratis del telefono en los E.E.U.U y el Canada:

1-877-4ELECTROLUX (1-877-435-3287)

Para la visita en linea [http://](http://www.electroluxappliances.com) de la informacion de la ayuda y de la produccion del internet
www.electroluxappliances.com

NOTA

Colocar tu producto con Electrolux realza o capacidad de servirte. Puedes colocarse en línea en www.electroluxappliances.com

INSTRUCCIONES IMPORTANTES SOBRE SEGURIDAD

Por favor lea todas las instrucciones de seguridad antes de usar su nuevo lavavajillas Electrolux.

- Lea todas las instrucciones antes de usar su lavavajillas.
- Use su lavavajillas solamente como se indica en esta Guía de Uso y Cuidado.
- Este manual no cubre todas las posibles condiciones y situaciones que pueden ocurrir. Use sentido común y precaución cuando instale, haga funcionar y repare cualquier electrodoméstico.
- Los lavavajillas para uso doméstico certificados por la National Sanitation Foundation (Fundación Nacional de Sanidad - NSF) no están destinados para uso en establecimientos con venta de bebidas alcohólicas. Tales establecimientos necesitan un lavavajillas de temperatura más alta del agua para cumplir los requerimientos de esterilización comercial.
- EL LAVAVAJILLAS DEBE SER PUESTO A TIERRA. Lea los detalles en las instrucciones de instalación.
- Este lavavajillas ha sido diseñado para funcionar con la corriente normal del hogar (120 V, 60 Hz.). Use un circuito equipado con un fusible de 15 amperes o un disyuntor. Use un fusible de 20 amperes si el lavavajillas está conectado a un triturador de desperdicios de comidas.
- No ponga en marcha el lavavajillas a menos que todos los paneles de cerramiento estén instalados en sus lugares como se explica en las Instrucciones de Instalación provistas

- A fin de evitar atrapamiento y/o asfixia, retire la puerta del compartimiento del lavado cuando se deshaga o ponga fuera de servicio un lavavajillas antiguo.
- Mantenga a los niños pequeños y bebés a una distancia prudente del lavavajillas cuando esté en funcionamiento.
- Use solamente detergentes y agentes de enjuague recomendados para uso en un lavavajillas.
- No abuse, ni se sienta o se pare en la puerta o en la canastilla del lavavajillas.
- Guarde el detergente y los agentes de enjuague del lavavajillas fuera del alcance de los niños.
- No lave artículos de plástico a menos que estén marcados "resistentes al lavavajillas" o algo similar. Si no están marcados, consulte con el fabricante para obtener las recomendaciones. Los artículos que no son resistentes al lavavajillas pueden derretirse y crear un peligro potencial de incendio.
- Si el lavavajillas se desagua en un triturador de desperdicios de comidas, asegúrese de que el triturador está completamente vacío antes de poner en funcionamiento el lavavajillas.
- Desenchufe el lavavajillas antes de repararlo.
- Las reparaciones deben ser hechas por profesionales calificados de Electrolux.
- No modifique los controles.
- Tenga cuidado cuando retire la vajilla al terminar el lavado si se ha usado la opción 'SANITIZE' (Esterilizar). Los artículos pueden estar muy calientes si se tocan inmediatamente después de finalizado el ciclo.

NOTA

CONSERVE ESTAS INSTRUCCIONES IMPORTANTES DE SEGURIDAD PARA REFERENCIA FUTURA.

- Cuando coloque en el lavavajillas los artículos:
 - Coloque los artículos afilados y los cuchillos de modo que no vayan a dañar la tina o la junta de la tina
 - Coloque los artículos afilados y los cuchillos con los mangos hacia arriba a fin de reducir el riesgo de sufrir cortaduras. Alternativamente, coloque los artículos afilados y los cuchillos en la cesta para utensilios que se encuentra en la canastilla superior.
- No guarde ni use materiales combustibles, gasolina ni otros vapores inflamables en la cercanía de este o de cualquier otro electrodoméstico.
- Bajo ciertas condiciones se puede producir gas hidrógeno en un sistema de agua caliente que no ha sido usado durante 2 o más semanas. EL GAS HIDROGENO ES EXPLOSIVO. Si el sistema del agua caliente no ha sido usado durante tal período, antes de usar el lavavajillas, abra todas las llaves del agua caliente y deje escurrir agua de cada una de ellas durante varios minutos. Esto aliviará cualquier gas hidrógeno acumulado. EL GAS HIDROGENO ES INFLAMABLE. No fume ni use una llama abierta durante este tiempo.

ATENCION

Este símbolo le alertará sobre peligros de lesiones, quemaduras, incendios y choque eléctrico.

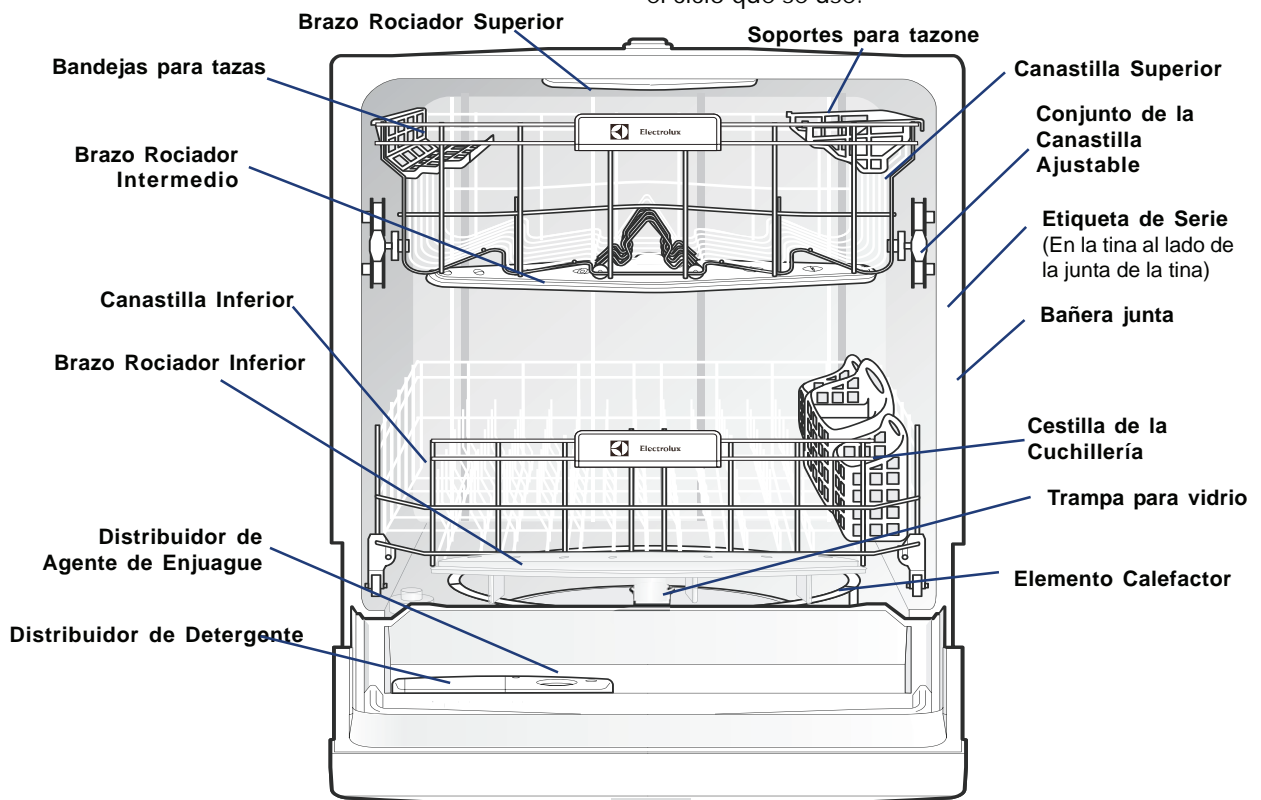
ATENCION

Para disminuir el riesgo de incendio, choque eléctrico o lesiones cuando esté usando su lavavajillas, siga las precauciones básicas incluyendo las siguientes:

COMO FUNCIONA SU LAVAVAJILLAS

Su lavavajillas limpia rociando contra las superficies sucias una mezcla de agua caliente y detergente a través de los brazos rociadores. Cada ciclo comienza con un desagüe preliminar. El lavavajillas se llena con agua cubriendo el área de filtro.

El agua luego es bombeada a través del filtro y de los brazos rociadores. Las partículas de suciedad se escurren por el desagüe a medida que el agua es bombeada hacia afuera y reemplazada con agua limpia. El número de llenados de agua variará según el ciclo que se use.





COMO USAR EL LAVAVAJILLAS

Para hacer funcionar su lavavajillas, siga estos pasos básicos:

- 1 Cargue el lavavajillas. (Ver Preparación y Carga de la Vajilla)
- 2 Agregue el detergente. (Ver Distribuidor y Detergentes del Lavavajillas)
- 3 Agregue el agente de enjuague, si es necesario. (Ver Agente de Enjuague)
- 4 Seleccione el CICLO deseado. (Ver Selecciones de Ciclos) **El touchpad es blanco iluminado cuando esta seleccionado.**
- 5 Seleccione las OPCIONES deseadas. (Ver Selecciones de Opciones de Energía) **El touchpad es blanco iluminado cuando esta seleccionado.**
- 6 Para poner en marcha, oprima la tecla 'START/CANCEL' y cierre la puerta. (Ver 'Start/Cancel')

NOTA

El lavavajillas está programado para recordar el último ciclo, de modo que no es necesario ajustarlo cada vez. Para poner en funcionamiento el lavavajillas usando el mismo ciclo y las opciones seleccionadas en el lavado anterior, simplemente oprima la tecla 'START/CANCEL'.

LAS SELECCIONES DE OPCIONES

Opción "HI-TEMP WASH"

Cuando se selecciona la opción "HI-TEMP WASH", el lavaplatos calienta el agua en el ciclo principal hasta aproximadamente 140°F (60°C).

El agua más caliente proporcionada por esta opción ayuda a activar el detergente del lavaplatos para l

impiar la grasa y la suciedad de los platos. La opción "HI-TEMP WASH" puede ser usada durante cualquier ciclo menos NORMAL WASH y LIGHT WASH. "HI-TEMP WASH" es proporcionado automáticamente cuando se selecciona el ciclo de HEAVY WASH.

Opción "SANITIZE"

Para higienizar sus vasos y platos, seleccione la opción "SANITIZE". Cuando el ciclo es seleccionado, la luz que se encuentra arriba del cojinete se encenderá. La temperatura del agua en el enjuague final se elevará a 155°F (68°C) para asegurar que las bacterias sean eliminadas. Un enjuague para higienizar será automáticamente proporcionado en el ciclo de HEAVY WASH y puede ser seleccionado en los ciclos NORMAL WASH y LIGHT WASH. Solamente estos ciclos de esterilización han sido diseñados para cumplir los requerimientos de la NSF.

El tiempo de duración del ciclo se extenderá hasta que se alcance la temperatura correcta del agua. La acción de lavado continuará durante la el tiempo que tome para calentar el agua. Para mejores resultados, el aumento de la temperatura en el agua debe ser por lo menos de 120° F (49° C).

La función de higienizar puede no ser satisfecha si existe alguna interrupción del ciclo, como la falta de energía eléctrica o la entrada de agua a una temperatura menor de 120° F (49° C).

Para apagar la opción de "SANITIZE", presione el cojinete por segunda vez. La luz que está arriba del cojinete se apagará.

Opción "AIR DRY"

La opción "AIR DRY", cuando se usa en combinación con el enjuague, mejorará el rendimiento del secado. La energía necesaria para usar la opción "AIR DRY" cuesta menos de pocos centavos por ciclo. Usted puede elegir no usar la opción "AIR DRY". Sin embargo, algunos artículos no quedarán completamente secos al final del ciclo.

Controles a prueba de niños

Para evitar que los niños enciendan o cambien accidentalmente el ciclo del lavavajillas, bloquee los controles oprimiendo la tecla "AIR DRY" durante 3 segundos. Una luz indicadora se encenderá sobre el ícono del candado cuando los controles estén bloqueados. No se puede hacer ninguna selección nueva hasta que se desbloquee el controles, oprímia la tecla "AIR DRY" hasta que la luz indicadora se apague.

Para cancelar un ciclo

Uste puede cancelar un ciclo en cualquier momento. Presione la tecla "START/CANCEL" y el lavaplatos empezará un desaguado por 90 segundos. Al final, seleccione el ciclo deseado.

Cycle Chart

(No todos los ciclos están disponibles en todos los modelos.)

Ciclos	Para Seleccionar de Ciclo	Nivel de Suciedad	Agua (aprox.)	Tiempo* (aprox.)	Lavados/Enjuagues
Lavado Heavy Heavy Wash Para ollas, sartenes, cacerolas y vajillas con desperdicios adheridos, secos o de horneado.	Seleccione HEAVY WASH y las otras OPTIONS deseadas. LAVADO A ALTA TEMPERATURA serán proporcionados automáticamente.	Alto y Medio	8,0 gal. 30,4 litros	135	3 lavados 4 enjuagues
		Bajo	3,5 gal. 13,3 litros	130	1 lavados 2 enjuagues
Lavado Normal Normal Wash Para platos y cubiertos con suciedad normal.	Seleccione NORMAL WASH y las otras OPTIONS deseadas.	Alto	6,9 gal. 26,1 liters	120	3 lavados 3 enjuagues
		Medio	3,5 gal. 13,3 liters	135	1 lavados 2 enjuague
		Bajo	3,5 gal. 13,3 liters	135	1 lavados 2 enjuague
Lavado Auto Auto Wash Para platos levemente sucios cuando no sea unba carga completa	Seleccione AUTO WASH y las otras OPTIONS deseadas.	Alto	6,9 gal. 26,1 liters	120	3 lavados 3 enjuague
		Medio y Bajo	3,5 gal. 13,3 liters	135	1 lavados 2 enjuague
Eco Para China y Crystal levemente sucios.	Seleccione ECO y las otras OPTIONS deseadas.		5,8 gal. 21,8 liters	105	3 lavados 2 enjuague
Lavado Rapido Quick Wash Para platos y cubiertos no muy sucios o preenjuagados.	Seleccione QUICK WASH y las otras OPTIONS deseadas.		4,7 gal. 17,6 liters	70	2 lavados 2 enjuague
Sólo Enjuague Rinse Only Para el enjuague de platos que serán lavados después.	Seleccione RINSE ONLY. NO USE detergente.		2,4 gal. 9,0 liters	17	2 enjuagues

Comienzo Diferido "DELAY START"

La opción "DELAY START" le permite diferir automáticamente la puesta en marcha del lavavajillas desde 1-24 horas, dependiendo de su modelo.

En los modelos con tiempo diferido de 1-24 horas, oprima la tecla "DELAY START" hasta que el tiempo diferido deseado aparezca en ventanilla STATUS. Se encenderá una luz indicando las horas del tiempo diferido y permanecerá encendida hasta que comience el ciclo.

Para cancelar la opción "DELAY START" y empezar el ciclo antes de que el período de demora finalice, presione el botón START/CANCEL.

LAS LUCIES INDICADORAS DEL ESTADO



Indicador Visual

Cuando se selecciona la opción SANITIZE, la luz de SANITIZED se iluminará cuando el ciclo de SANITIZE se termine. Si el lavavajillas no pudo higienizar la vajilla debidamente, la luz no se encenderá. Esto puede suceder si se interrumpe el ciclo. La luz permanecerá encendida hasta que se abra la puerta.

La luz 'CLEAN' se enciende cuando se completa un ciclo y permanece encendida hasta que se abra la puerta.

NOTA

Luces y la pantalla en la parte superior de la consola se apagará cuando se cierra la puerta. Que se encenderá cuando la puerta se abre y remaining tiempo de visualización se mostrará durante unos segundos. Entonces, "CD" se mostrará intermitente, le informa de que cerrar la puerta para que el ciclo pueda continuar.

NOTA

El tiempo de ciclo de lavado puede repentinamente aumentar o disminuir varios minutos. Esto significa que el sensor ('Smart Sensor') ha determinado si es necesario agregar más agua o si es necesario reducir el agua.

1H-24H.....	Número de horas del comienzo diferido. La última hora se descuenta en minutos.
Cd.....	Cierre la puerta del lavavajillas. Las luces indicadoras también destellarán para indicar el estado del ciclo en curso.
MINUTES.....	Número de minutos restantes en el ciclo (1-200). Si el ciclo se prolonga más de 99 minutos, aparecerá una pequeña luz en la esquina inferior izquierda y permanecerá encendida hasta que el número de minutos sea inferior a 200.
PF.....	Aparece en el indicador visual cuando el lavavajillas ha sido recién instalado o cuando hay una interrupción de la corriente eléctrica. Además las luces indicadoras 'HI-TEMP WASH' y 'NO HEAT DRY' también destellarán. Para desactivarlas, oprima la tecla 'START/ CANCEL'.

Indicaciones del Error

En ciertas situaciones que sean críticas a la función de la máquina y a la operación segura, el control cerrará e indicara un código de error 'Er'. En unidades sin una exhibición, todas las luces de indicador destellarán. (Ver Códigos De Erro).

Si uno de estos códigos es contacto exhibido el centro de cuidado del cliente de Electrolux en **1-877-435-3287**. Podrán proporcionar el asistencia en la localización de averías del problema y/o la localización de un servicio autorizado technician, si están necesitados.

PREPARACION DE LOS PLATOS

Raspe los pedazos grandes de alimento, huesos, huesos de fruta, picadientes, etc. El sistema de lavado retirará el resto de las partículas de comida. Raspe con cuidado el alimento quemado con un utensilio que no raye o coloque el plato a remojar antes de lavarlo (Ver Figure 1). Vacíe los líquidos de los vasos y tazas.

Los alimentos que contienen aceite vegetal y/o aditivos químicos tales como mostaza, mayonesa, vinagre, jugo de limón o productos a base de tomate pueden causar descoloración del acero inoxidable y de los plásticos si se dejan sin lavar durante un período de tiempo prolongado. A menos que el lavavajillas vaya a ser puesto a funcionar inmediatamente, es mejor enjuagar los platos para quitar previamente tales suciedades.

- Acomode las canastillas de modo que los artículos grandes no interfieran con la apertura del distribuidor de detergente.
- Verifique las recomendaciones del fabricante antes de lavar los artículos sin indicaciones.
- Si el lavavajillas desagua hacia un triturador de alimentos, asegúrese de que el triturador esté completamente vacío antes de poner en marcha el lavavajillas.

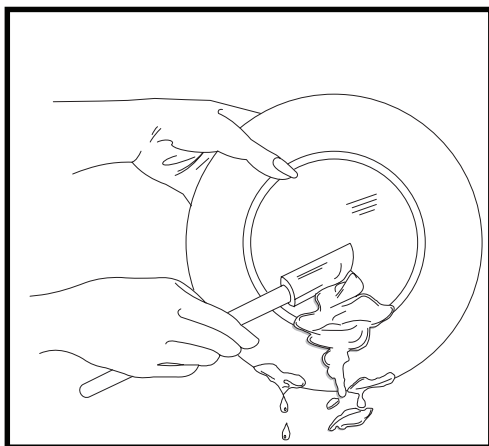
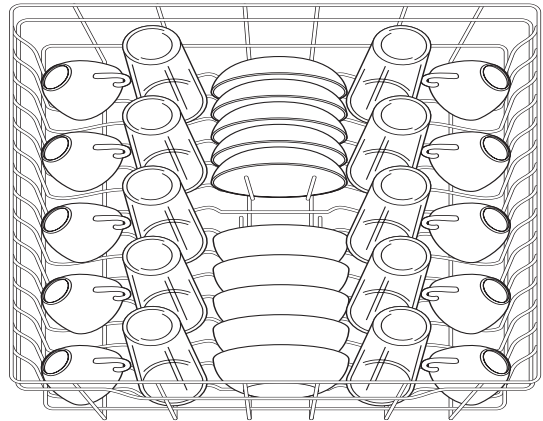


Figure 1

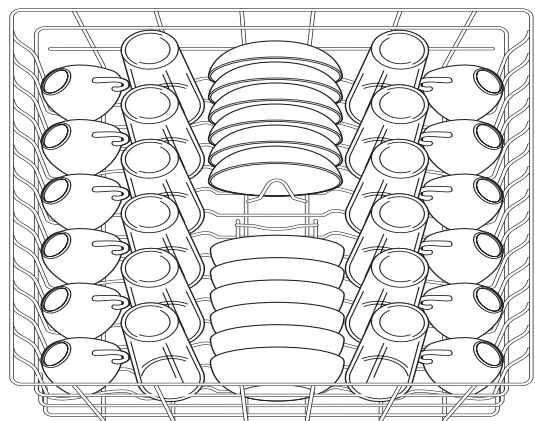
CARGA DE LA CANASTILLA SUPERIOR

La canastilla superior ha sido diseñada para acomodar con facilidad una variedad de artículos incluyendo tazas, vasos, copas, platos pequeños, tazones, etc.

- Los vasos deben colocarse en la canastilla superior. Se pueden dañar si se colocan en la canastilla inferior.
- Coloque los artículos con los extremos abiertos dirigidos hacia abajo para una mejor limpieza y desagüe.
- Puede ocurrir daño si los artículos delicados quedan tocándose unos con otros durante el funcionamiento del lavavajillas.
- Los cuchillos y utensilios de mango largo pueden ser colocados en la cestilla para utensilios en la canastilla superior.
- Asegúrese de que nada sobresalga a través de la parte inferior de la canastilla que pueda bloquear la rotación del brazo rociador intermedio.



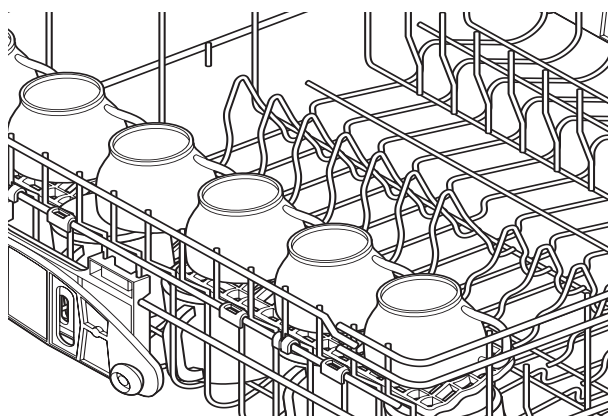
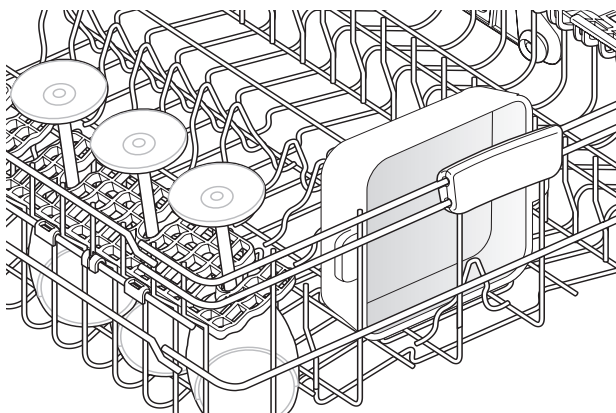
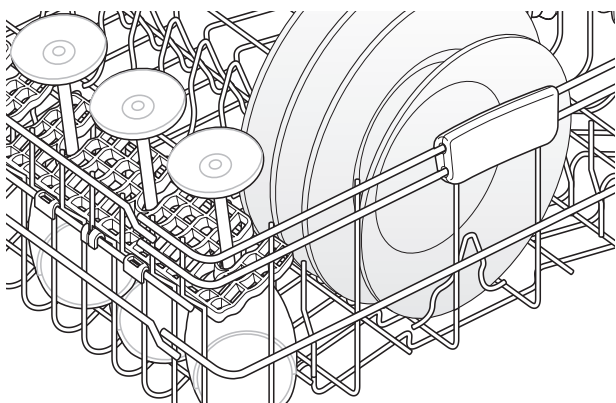
patron de carga normal con 10 ajustes de posiciones



patron de carga normal con 12 ajustes de posiciones

Soportes para Tazones

Los dos Soportes para tazones proveen la mayor flexibilidad posible. Cuando estén cerrados, cargue con platillos o platos pequeñas. Abralos parcialmente y es perfecto para caserolas pequeñas. Abralos completamente para artículos difíciles de acomodar, como cafetaras, procesadores de alimentos etc. Mientras usted carga su lavaplatos, encontrará muchas otras maneras de usar este elemento único.

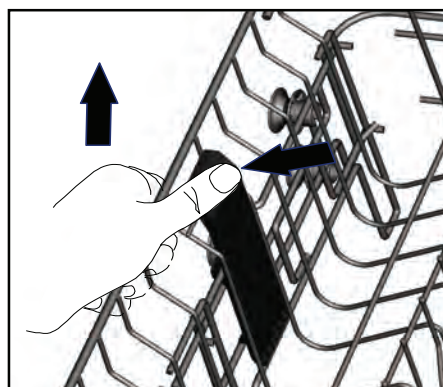
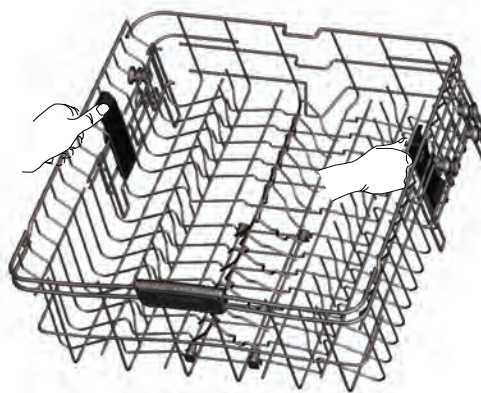


Rejilla superior ajustable (disponible en modelos selectos)

La altura de la rejilla superior se puede ajustar fácilmente, a fin de que puedan colocarse vasos altos en cualquiera de las rejillas. La altura se debe ajustar sin objetos en las rejillas.

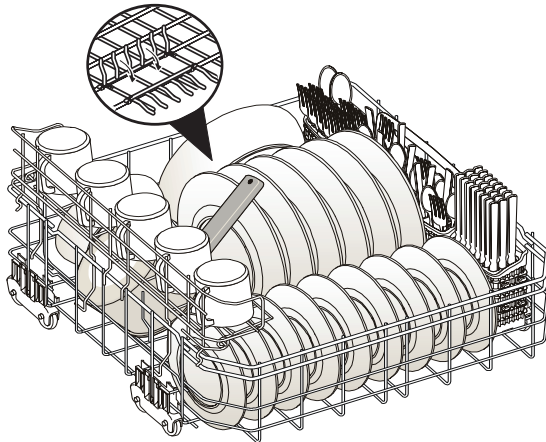
Para hacer espacio para objetos más altos en la rejilla inferior, hay 2 posiciones disponibles:

Para elevar la rejilla a la posición intermedia o superior, solamente tiene que levantar la rejilla. La palanca se acciona con un resorte para encajar en la posición superior. Para bajar la rejilla a la posición inferior, presione la palanca con los dedos pulgares y presione simultáneamente hacia abajo. Para facilitar el ajuste de la rejilla, asegúrese de que la rejilla permanezca nivelada de adelante hacia atrás con ambos lados a la misma altura.



Opción de Abatible Tines

El plegable púas en la parte inferior del rack hacer fácil carga extra para los grandes y difíciles de artículos en forma. Las púas pueden dejarse para un uso normal o abatirse para la carga más flexible. Dobra hacia abajo para obtener más espacio para carga de grandes ollas o sartenes.



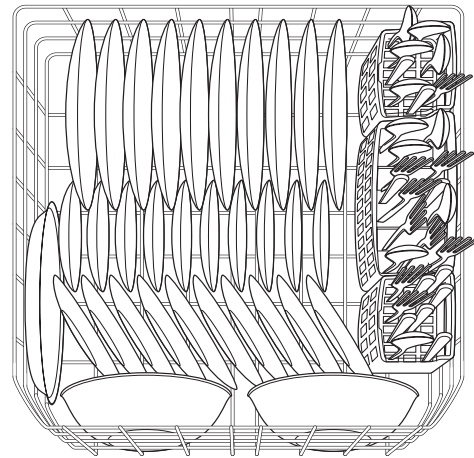
CARGA DE LA CANASTILLA INFERIOR

Las características en la apariencia de las rejillas y de la canasta para los cubiertos puede ser ligeramente diferente en el modelo que usted tiene.

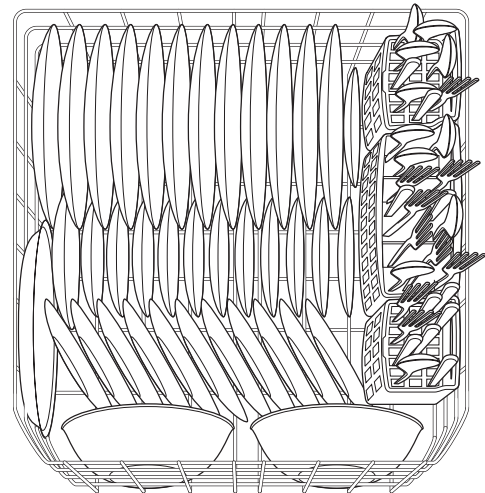
La rejilla inferior es preferible para platos, vajijas, y ollas. Artículos grandes deben ser colocados hacia los bordes para que no impidan la rotación del brazo de rociado intermedio. Para obtener los mejores resultados, coloque las ollas y caserolas con la superficie más sucia mirando hacia abajo y hacia el centro. Inclínele levemente para ayudar al drenaje.

Asegúrese de que artículos altos no impidan la rotación del brazo de rociado.

Asegúrese que los mangos de los sartenes no sobrepasen el fondo de la rejilla y obstruyan la rotación de brazo de rociado.



Patrón de carga normal con 10 ajustes de posiciones



Patrón de carga normal con 12 ajustes de posiciones

Cómo Cargar la Canasta de Cubiertos

PRECAUCION

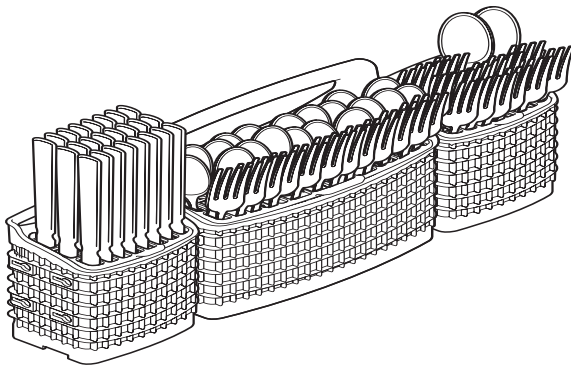
Coloque los artículos afilados (cuchillos, pinchos de brocheta, etc.) con las puntas hacia abajo.

No hacerlo puede causar lesiones.

Las características en la apariencia de las rejillas y de la canasta para los cubiertos puede ser ligeramente diferente en el modelo que usted tiene.

Cargue la canasta de cubiertos mientras está en el estante inferior, o saque la canasta para cargarla sobre el gabinete o la mesa.

Coloque los artículos pequeños como tapas de biberones, tapas de jarros, sostenedores de mazorcas de maíz, etc. en una sección cubierta. Cierre la cubierta para mantener los artículos pequeños en su lugar.



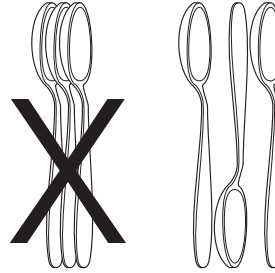
Use los patrones de carga sugeridos, según se muestra, para mejorar el lavado de sus cubiertos.

Asegúrese de que nada sobresalga por el fondo de la canasta o del estante que pueda obstruir el brazo rociador.

No mezcle los cubiertos de plata con los de acero inoxidable para evitar dañar el acabado de plata.

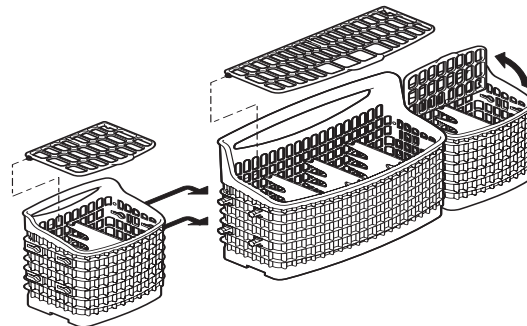
La canasta de cubiertos puede sacarse y colocarse en varios lugares del estante inferior. Coloque los cubiertos en todas las secciones o sólo en una, dependiendo de su carga.

Cuando las cubiertas están hacia arriba, mezcle los artículos de cada sección de la canasta, con unos apuntando hacia arriba y otros hacia abajo, para que no se peguen unos con otros. El rocío de agua no puede llegar a los artículos que están pegados unos con otros.



Para sacar la canasta pequeña:

1. Sostenga la canasta del centro y una de las canastas pequeñas. Deslice la otra canasta pequeña hacia atrás para soltar las lengüetas de las ranuras correspondientes.
2. Tire de las canastas para separarlas.



Agregando un plato

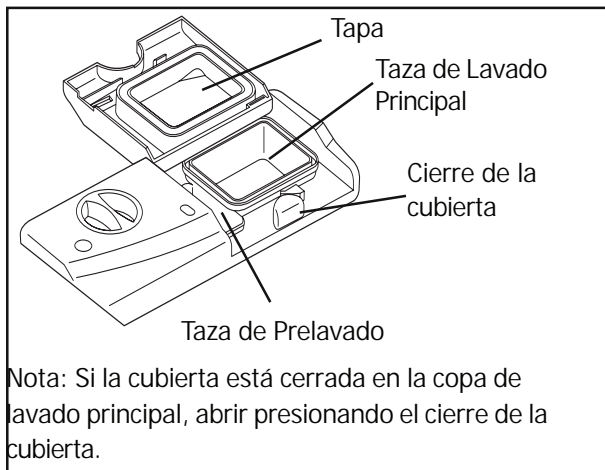
Para agregar o sacar artículos después de que el ciclo de lavado ha empezado:

- Desenganche la cerradura y espere unos segundos hasta que la acción de lavado se detenga, antes de abrir la puerta.
- Coloque el artículo y espere unos segundos para permitir que el aire frío se expanda lentamente dentro del lavavajillas.
- Cierre firmemente la cerradura para que empiece el ciclo.

LLENADO DEL DISTRIBUIDOR DE DETERGENTE

El distribuidor de detergente tiene dos compartimientos tapados. Llene uno para cargas pequeñas. Llene ambos para cargas más grandes. Cierre la tapa y agregue detergente en la parte indentada de la tapa para un lavado preliminar. El detergente en la sección de lavado preliminar de la tapa cae hacia el lavavajillas cuando se cierra la puerta. Los compartimientos tapados se abren automáticamente para distribuir el detergente.

- Use solamente detergente para lavavajillas automáticos. Otro detergente causaría demasiada espuma.
- Cuando use tabletas de detergente para lavavajillas automáticos, coloque una tableta en el compartimiento de lavado principal y ciérrelo.



- Agregue el detergente justo antes de comenzar el ciclo.
- Guarde el detergente en un lugar fresco y seco. Los detergentes húmedos o endurecidos no se disolverán en forma apropiada.

ATENCION

El uso de detergentes industriales puede dañar el del lavavajillas, lo que causaría daños a la unidad y a la propiedad que lo rodea. Sólo use detergentes para lavavajillas automáticos para el hogar.

CANTIDAD DE DETERGENTE NECESARIA

La cantidad de detergente que se debe usar depende de la dureza del agua. *La dureza del agua se mide en granos por galón (gpg)*. El "agua dura" contiene grandes cantidades de minerales ásperos en forma granulada, más de 10 a 11 granos por galón (gpg) lo cual puede afectar la calidad del agua. Si usa muy poco detergente puede resultar en una limpieza deficiente y en la formación de una película o manchas debido al agua dura. Si usa demasiado detergente en agua blanda se puede causar la formación de "fisuras superficiales" permanentes. (Ver Fisuras Superficiales). Su compañía de agua local, la compañía de ablandamiento de agua o el agente de su distrito pueden informarle sobre la dureza del agua en su área.

GUIA DE USO DEL DETERGENTE

Ciclo	Agua Blanda (0 a 3 granos)	Agua Semidura (4 a 8 granos)	Agua Dura (9 a 12 granos)	Agua Muy Dura* (Más de 12 granos)
Lavado Heavy (Heavy Wasy) o Lavado Normal (Normal Wash)	2 Cucharaditas (Compartimiento de lavado principal – ¼ de la capacidad)	5 Cucharaditas (Compartimiento de lavado principal – llenar hasta la línea más arriba de "Regular")	8 Cucharaditas (Ambas tazas- completamente llenas)	Cada compartimiento completamente lleno (Se recomienda suavizador de agua)
Lavado Light (Light Wash)	2 Cucharaditas (Compartimiento de lavado principal – ¼ de la capacidad)	5 Cucharaditas (Compartimiento de lavado principal – llenar hasta la línea más arriba de "Regular")	8 Cucharaditas (Taza de lavado principal completamente llena)	Compartimiento de lavado principal completamente lleno (Se recomienda suavizador de agua)
Solo Enjuague (Rinse Only)	No usar detergente	No usar detergente	No usar detergente	No usar detergente (Se recomienda suavizador de agua)

NOTA

Para agua muy dura, puede que el detergente solo no sea suficiente. Se recomienda agregar un suavizador de agua para mejorar la calidad del agua y el rendimiento del lavado. Trate de agregar más detergente al comienzo de la porción de lavado principal del ciclo. Como regla general, use 1 cucharadita de té por cada grano sobre los 12 granos. Desbloquee la puerta, ábrala lentamente y agregue detergente en el fondo de tina. Cierra bien la puerta y la lavadora continuará con el ciclo.

Agente de enjuague

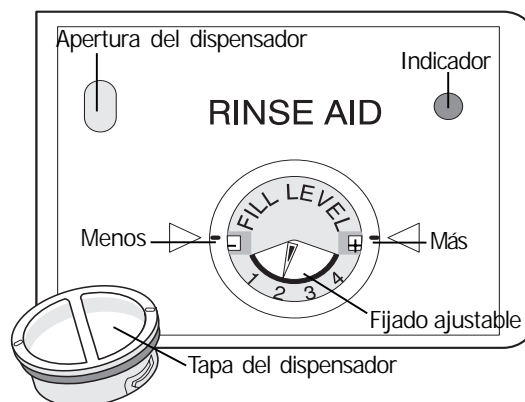
El agente de enjuague (Rinse Aid) mejora el secado y reduce la formación de manchas de agua y de película. El agua se escurre en capas y no forma gotas que se adhieren y dejan manchas.

Un dispensador, situado junto a la taza de detergente, libera automáticamente una cantidad medida del agente de enjuague durante el último enjuague. Si existen problemas de manchas y secado defectuoso, aumente la cantidad de agente de enjuague dispensado, girando la perilla hacia un número más alto. La perilla está localizada debajo de la tapa del dispensador. El indicador se pondrá obscuro cuando está lleno y claro cuando ha llegado el momento de llenarlo de nuevo. En los modelos que tienen una ventana de STATUS, las letras LO aparecerán al final del ciclo indicando que es tiempo de llenar nuevamente.

Para agregar agente líquido de enjuague, gire la tapa del dispensador un cuarto de vuelta en sentido contrario a las manecillas del reloj y sáquelo. Vierta el agente de enjuague líquido hasta que llegue al nivel indicado. Ponga la tapa de nuevo.

No exceda la marca de llenado porque puede causar demasiada espuma. Limpie cualquier derrame con un trapo húmedo.

Este dispensador tiene capacidad para desde 35 hasta 140 lavadas, dependiendo de la acción en que está puesto.



Presión del agua

La tubería de agua caliente hacia el lavavajillas debe proporcionar una presión de agua entre 20 y 120 psi.

Una presión de agua baja puede ocurrir cuando una lavadora o una regadera de baño están siendo utilizadas. Espere hasta que se reduzca el uso de agua para arrancar su lavavajillas.

Temperatura del agua

Se necesita agua caliente para mejores resultados en el lavado y secado de platos. El agua que entra en el lavavajillas debe estar por lo menos a una temperatura de 120°F (49°C) a fin de obtener resultados satisfactorios.

Para saber la temperatura del agua que entra en el lavavajillas:

- Abra el grifo de agua caliente que esté cerca del lavavajillas por varios minutos para dejar salir toda el agua fría que está en la tubería.
- Ponga un termómetro para carne o para hornear bajo la corriente de agua para saber la temperatura.
- Si la temperatura es inferior a 120°F (49°C), pida a un técnico calificado que eleve el ajuste del termostato del agua caliente.

Importante: Antes de empezar el ciclo, deje correr el agua del grifo para sacar toda el agua fría.

ADVERTENCIA



Peligro de quemaduras

Permita que se enfríe el elemento calefactor antes de limpiar el interior.

Si no lo hace, corre el peligro de quemarse.

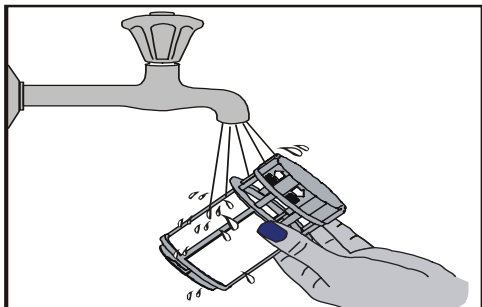
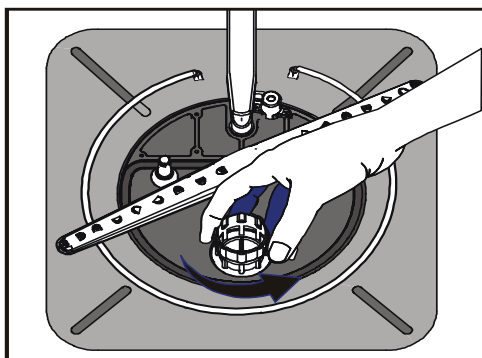
Limpieza exterior—Ocasionalmente limpie el exterior con un detergente suave y agua. Enjuague y séquelo.

Modelos con puerta de acero inoxidable

— Limpie la puerta exterior con agua jabonosa tibia y un paño o una esponja. Enjuague con agua limpia y un paño. No use limpiadores ásperos.

Limpie el filtro del cilindro

El filtro del cilindro está diseñado para recolectar desperdicios grandes como vidrio roto, huesos y semillas de frutas. El filtro del cilindro debe ser limpiado para maximizar el rendimiento del lavado. Retire la rejilla inferior, gire el filtro del cilindro como se muestra, levántelo para retirarlo, vacíelo y límpielo para retirarlo, vacíelo y límpielo enjuagándolo bajo agua corriente. Luego vuelva a instalarlo en su lugar.



Mantenimiento del paso de aire en el drenaje

Si se ha instalado un paso de aire en su lavavajillas, cuide de mantenerlo limpio para un drenaje apropiado. Normalmente este paso de aire está colocado en el tablero del mostrador y se puede examinar quitando la tapa. Este dispositivo no forma parte de su lavavajillas y no está cubierto por la garantía.

PRECAUCIÓN

Las temperaturas bajo el punto de congelación pueden causar que se rompan las tuberías. Asegúrese que las tuberías de agua y las de circulación dentro del lavavajillas están protegidas.

Si no se hace esto, se pueden ocasionar daños a la propiedad.

Preparación para el invierno

Si un lavavajillas se deja en un lugar sin calefacción, debe ser protegido contra congelamiento. Llame a un técnico calificado para que haga lo siguiente:

Desconexión:

1. Desconecte la electricidad desde la fuente ya sea quitando los fusibles o bajando la palanca del circuito.
2. Cierre el suministro de agua.
3. Ponga un recipiente debajo de la válvula de ingreso de agua. Desconecte la tubería de agua desde la válvula de ingreso y recoja el agua en el recipiente.
4. Desconecte la tubería de desagüe desde la bomba y deje que el agua caiga en el recipiente.

Reconexión:

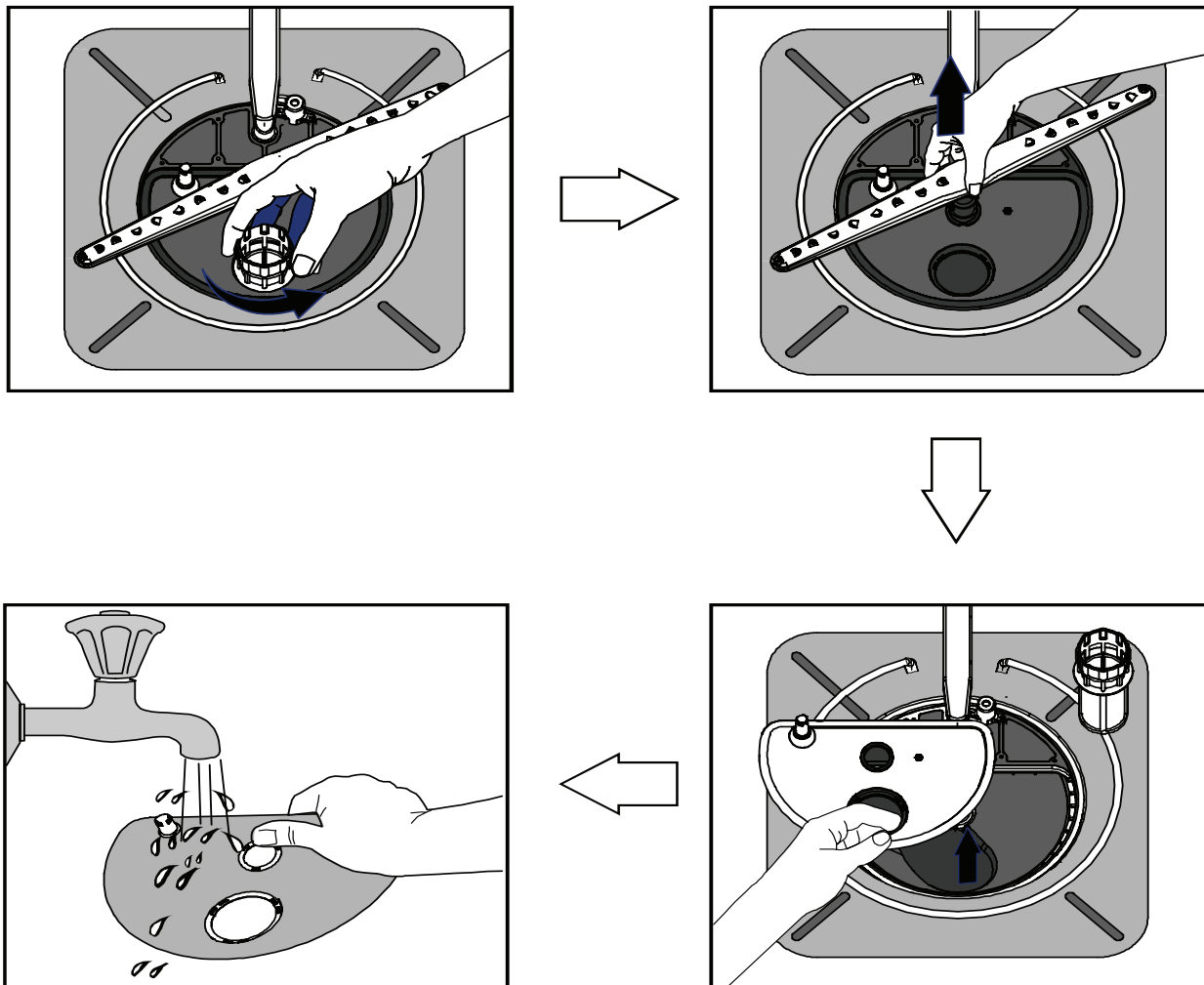
1. Reconecte el agua, el drenaje y la fuente de energía eléctrica.
2. Abra el grifo del agua y el interruptor de electricidad.
3. Llene los dos recipientes de detergente y ponga a funcionar el lavavajillas en el ciclo HEAVY WASH.
4. Confirme que no existen fugas en las conexiones.

NOTA

Para más detalles vea las Instrucciones para instalación.

Limpie el filtro fino

Retire el filtro del cilindro y retire el filtro fino del fondo de la lavavajillas. Para retirar el filtro fino, primero debe retirar el brazo de rociado inferior como se muestra abajo. Limpie el filtro fino bajo agua corriente y vuelva a instalarlo en su lugar.



Las opciones "HEAT DRY" en combinación con el enjuague, mejorarán el rendimiento del secado. La energía necesaria para usar la opción "HEAT DRY" cuesta menos de pocos centavos por ciclo. Usted puede elegir no usar la opción "HEAT DRY". Sin embargo, algunos artículos no quedarán completamente secos al final del ciclo.

IMPORTANTE

Antes de hacer una llamada de servicio, revise primero esta lista. Le puede ahorrar tiempo y gastos. Esta lista incluye las experiencias más comunes que no son el resultado de defectos de materiales o fabricación en su lavavajillas.

QUEDAN MANCHAS DE ALIMENTOS EN LOS PLATOS

- Verifique la temperatura del agua de admisión. (Ver Como usar el lavavajillas) Debe ser de por lo menos 120°F (49°C). (Ver Factores que Afectan el Rendimiento)
- Seleccione otro ciclo para un lavado más prolongado.
- Consulte las secciones sobre carga de las canastillas para una carga correcta – evite que los artículos se aniden.
- La presión del agua en el hogar puede ser demasiado baja – debe ser 20 a 90 libras por pulgada cuadrada (lbs./pulg.²).
- Verifique la dureza del agua. Para agua extremadamente dura, puede ser necesario instalar un suavizador de agua. (Ver Guía de Uso del Detergente)
- Use detergente fresco.
- Asegúrese de que los artículos no estén bloqueando ninguno de los brazos rociadores o impidiendo su rotación.

LOS PLATOS NO SE SECAN

- Asegúrese de que el distribuidor de agente de enjuague esté lleno.
- Aumente la cantidad de agente de enjuague (Ver Agente de Enjuague).
- Verifique la temperatura del agua de admisión. Asegúrese de que esté por lo menos a 120°F (49°C).
- Verifique la carga correcta del lavavajillas, evite anidar los artículos.
- Puede que los artículos de plástico necesiten ser secados con una toalla. Se junta más agua en los artículos de plástico al completarse el ciclo pues ellos no se calientan tanto como el vidrio o los artículos de metal.
- Las tazas con fondo cóncavo pueden retener agua.

FISURAS SUPERFICIALES

- Si se usa demasiado detergente en agua suave o ablandada se produce esta película que no puede ser quitada.
- Ajuste la cantidad de detergente en base a la dureza del agua. (Ver la Guía de Uso de Detergente)
- Baje la temperatura del agua.

CUCHILLERIA O ARTICULOS DE VIDRIO MANCHADOS U OPACOS

- Verifique la dureza del agua. Para agua extremadamente dura, puede ser necesario instalar un suavizador de agua. (Ver la Guía de Uso del Detergente)
- La temperatura del agua puede ser demasiado baja. Evite temperaturas extremadamente bajas o altas. (Ver Factores que Afectan el Rendimiento)
- Evite cargar demasiado el lavavajillas o cargarlo de manera incorrecta. (Ver Preparación y Carga de la Vajilla)
- Use detergente fresco. El detergente antiguo no es eficaz.
- Asegúrese de que el distribuidor de agente de enjuague esté lleno.
- Verifique que se esté usando la cantidad de detergente apropiada para el ciclo seleccionado. (Ver Llenado del Distribuidor de Detergente)
- La presión del agua del hogar puede ser demasiado baja – debe ser entre 20 y 90 libras por pulgada cuadrada (lbs./pulg.²).

VAJILLA DAÑADA

- Cargue con cuidado y no sobrecargue el lavavajillas. (Ver Preparación y Carga de la Vajilla)
- Coloque los artículos delicados en la canastilla superior.
- Coloque los vasos contra los soportes y no sobre los soportes.
- Coloque los artículos en forma segura y a efecto de que no se suelten cuando se mueven las canastillas al deslizarla hacia adentro o hacia afuera. Mueva las canastillas hacia adentro y hacia afuera lentamente.
- Asegúrese de que los vasos y las copas altas no toquen la parte superior de la tina cuando la canastilla es empujada hacia adentro.
- Se recomienda lavar la loza antigua fina y el cristal a mano.

LA PANTALLA NO FUNCIONA

- Compruebe si la unidad está en modo sabático. Consulte la pág.

VAJILLA MANCHADA O DESCOLORIDA

- El té o el café pueden manchar las tazas. Quite las manchas a mano, lavando con una solución de ½ taza (120 ml) de blanqueador y un cuarto de galón (1 Litro) de agua tibia. Enjuague bien.
- Los depósitos de hierro en el agua pueden producir una película amarilla o café. Este problema puede corregirse instalando un filtro de agua en línea con su suministro de agua.
- Los utensilios de aluminio pueden dejar marcas grises o negras cuando se frotran contra otros artículos. Cárguelos de manera apropiada.
- Ciertos alimentos altamente ácidos pueden causar descoloración del acero inoxidable y de los plásticos si se dejan sin enjuagar durante un período largo. Use el ciclo de enjuague o enjuáguelos a mano si no va usar la lavadora inmediatamente.
- Si coloca utensilios de acero inoxidable y de plata en la canastilla de la cuchillería puede causar daño a las hojas de acero inoxidable. Evite mezclar el acero inoxidable y la plata.

QUEDA DETERGENTE EN EL COMPARTIMIENTO DEL DISTRIBUIDOR

- El detergente puede ser antiguo. Descarte y use detergente fresco.
- Asegúrese de que la acción del agua llega hasta el distribuidor.
- Verifique para ver si el ciclo terminó.
- Asegúrese de que no haya artículos que impidan que se abra el distribuidor.
- Asegúrese de que la canastilla superior está firmemente instalada en la boquilla en la parte trasera de la tina antes de cerrar la puerta.

EL LAVAVAJILLAS TIENE ESCAPE

- Use solamente detergente fresco formulado para lavavajillas automáticos. Mida el detergente cuidadosamente. Pruebe una marca diferente.
- El agente de enjuague derramado puede producir espuma y causar sobrellenado. Limpie los derrames con un paño húmedo.
- Verifique si el lavavajillas está nivelado. (Ver Instrucciones de Instalación).

SONIDOS NORMALES QUE USTED ESCUCHARA

- Los sonidos normales incluyen llenado del agua, circulación del agua y sonidos del motor.
- La pulsación de la bomba puede causar que la velocidad del motor aumente y disminuya a intervalos regulares durante los ciclos.

AGUA EN EL FONDO DE LA TINA

- No es normal que quede agua en el fondo de la tina al final de un ciclo. Si el agua permanece en el fondo de la tina al final del ciclo, el lavavajillas puede que no esté desaguando en forma debida. (Ver El Lavavajillas no Desagua Bien) El filtro también puede necesitar limpieza. (Ver Cuidado del Filtro) *Nota: Es normal ver una pequeña cantidad de agua debajo del filtro al final de un ciclo.*

EL LAVAVAJILLAS NO SE LLENA

- Verifique si el suministro de agua está abierto.
- Agregue ½ taza de agua en el fondo del lavavajillas y ponga en marcha nuevamente.

EL LAVAVAJILLAS NO FUNCIONA

- Verifique si el disyuntor está disparado o si hay un fusible fundido.
- Asegúrese de que el suministro del agua está abierto.
- Verifique si el ciclo está programado correctamente. (Ver Instrucciones de Funcionamiento)
- Verifique si la opción 'DELAY START' ha sido seleccionada.
- Asegúrese de que la puerta esté cerrada y con seguro.

EL LAVAVAJILLAS TIENE UN OLOR

- Los platos sucios dejados en el lavavajillas por mucho tiempo pueden crear un olor. Use el ciclo de enjuague.
- Tendrá olor a "nuevo" cuando recién se instale. Esto es normal.
- Verifique si el lavavajillas está desaguando en forma debida. (Ver El Lavavajillas No Desagua Bien).

EL LAVAVAJILLAS NO DESAGUA BIEN

- Si el lavavajillas está conectado a un triturador de desperdicios, asegúrese de que el triturador esté vacío.
- Si el lavavajillas está conectado a un triturador de desperdicios de comidas recién instalado, verifique si se ha quitado el tapón removible dentro de la admisión del triturador.
- Verifique si la manguera de desagüe está torcida.
- Asegúrese de que el ciclo se ha completado y no está en una pausa.

EL CICLO DEMORA DEMASIADO TIEMPO

- Verifique si el ciclo está en un retraso de calentamiento de agua.
- Verifique si la opción de comienzo diferido ha sido seleccionada.
- Verifique si se seleccionó la opción de esterilización.

PARA QUITAR PELICULAS Y MANCHAS

El agua dura puede causar acumulación de depósitos de cal en el interior del lavavajillas. Los platos y vasos pueden también quedar con películas y manchas por un número de razones. (Ver Cuchillería o Artículos de Vidrio Manchados u Opacos).

Para quitar las manchas y películas, limpie usando las siguientes instrucciones:

- 1 Cargue los platos y vasos limpios de manera normal. No cargue utensilios de metal o cuchillería.
- 2 No agregue detergente.
- 3 Seleccione el ciclo 'NORMAL WASH'. Oprima la tecla 'START/CANCEL' y cierre la puerta.
- 4 Deje que el lavavajillas funcione hasta que comience el segundo llenado. Abra la puerta y agregue dos tazas de vinagre blanco en el fondo del lavavajillas.
- 5 Cierre la puerta con seguro y espere hasta que el ciclo termine.

NOTA

Si no se soluciona el problema, puede ser necesario usar un suavizador de agua.

Su electrodoméstico está cubierto por una garantía limitada de un año. Durante un año a partir de la fecha original de compra, Electrolux se hace responsable de la reparación o el reemplazo de cualquier pieza de este electrodoméstico que se encuentre defectuosa en materiales o mano de obra, siempre que el electrodoméstico se instale, utilice y mantenga de acuerdo con las instrucciones proporcionadas. La cuba (tina) de acero inoxidable y el revestimiento de la puerta del electrodoméstico están cubiertos por una garantía limitada de por vida. Durante el período de garantía de por vida del electrodoméstico, Electrolux se hace responsable del reemplazo de la cuba (tina) de acero inoxidable o el revestimiento de la puerta en caso de falla al contener el agua debido a defectos de materiales o mano de obra, siempre que el electrodoméstico se instale, utilice y mantenga de acuerdo con las instrucciones proporcionadas. Además, las rejillas del lavavajillas y el módulo de control electrónico del electrodoméstico están cubiertos por una garantía limitada de dos a cinco años. Es decir, durante el segundo y hasta el quinto año a partir de la fecha original de compra, Electrolux se hace responsable del reemplazo de las rejillas del lavavajillas y el módulo de control electrónico del electrodoméstico que se encuentren defectuosos en materiales o mano de obra, siempre que el electrodoméstico se instale, utilice y mantenga de acuerdo con las instrucciones proporcionadas.

Exclusiones

Esta garantía no cubre lo siguiente:

1. Productos cuyos números de serie originales hayan sido quitados, alterados o no puedan determinarse con facilidad.
2. Productos que hayan sido transferidos del dueño original a un tercero o que no se encuentren en los EE.UU. o en Canadá.
3. Óxido en el interior o exterior de la unidad.
4. Los productos comprados "como están" no están cubiertos por esta garantía.
5. Pérdida de alimentos por fallas del refrigerador o congelador.
6. Productos utilizados para fines comerciales.
7. Las llamadas de servicio técnico que no involucren un mal funcionamiento o defectos de materiales o de mano de obra, o para electrodomésticos que no sean utilizados para uso doméstico normal o de acuerdo con las instrucciones proporcionadas.
8. Llamadas de servicio técnico para corregir errores de instalación del electrodoméstico o para obtener instrucciones sobre el uso del mismo.
9. Los gastos necesarios para hacer accesible el electrodoméstico a fin de repararlo, como por ejemplo la extracción de adornos, alacenas, estanterías, etc., que no formaban parte del electrodoméstico en el momento en que salió de la fábrica.
10. Llamadas de servicio técnico para reparar o reemplazar bombillas, filtros de aire, filtros de agua, otros consumibles, perillas, manijas u otras piezas decorativas.
11. Costos de mano de obra o de servicio técnico a domicilio durante los períodos adicionales de garantía limitada después del primer año de la fecha original de compra.
12. Costos de recogida y entrega del electrodoméstico (el electrodoméstico está diseñado para ser reparado en el lugar/vivienda en el que está instalado).
13. Costos adicionales que incluyen, sin limitación, cualquier llamada de servicio técnico fuera de las horas de oficina, durante los fines de semana o días feriados, peajes, tarifas de transporte o gastos de traslado para atender llamadas de servicio técnico en áreas remotas, incluyendo el estado de Alaska.
14. Daños al acabado del electrodoméstico o a la vivienda que hayan ocurrido durante la instalación, incluyendo, sin limitación, los armarios, paredes, etc.
15. Daños causados por: servicio técnico realizado por compañías de servicio técnico no autorizadas, el uso de piezas que no sean piezas genuinas Electrolux o piezas obtenidas de personas que no pertenezcan a compañías de servicio técnico autorizado, o causas externas como abuso, mal uso, suministro eléctrico inadecuado, accidentes, incendios o hechos fortuitos.

RENUNCIA DE RESPONSABILIDAD DE GARANTÍAS IMPLÍCITAS; LIMITACIÓN DE ACCIONES LEGALES

LA ÚNICA Y EXCLUSIVA OPCIÓN DEL CLIENTE BAJO ESTA GARANTÍA LIMITADA ES LA REPARACIÓN O EL REEMPLAZO DEL PRODUCTO SEGÚN SE INDICA. **LOS RECLAMOS BASADOS EN GARANTÍAS IMPLÍCITAS, INCLUYENDO LAS GARANTÍAS DE COMERCIALIZACIÓN O IDONEIDAD DEL PRODUCTO PARA UN PROPÓSITO ESPECÍFICO, ESTÁN LIMITADOS A UN AÑO O AL PERÍODO MÍNIMO PERMITIDO POR LEY, PERO NUNCA MENOS DE UN AÑO.** ELECTROLUX NO SERÁ RESPONSABLE POR DAÑOS CONSECUENTES O INCIDENTALES COMO, POR EJEMPLO, DAÑOS A LA PROPIEDAD Y GASTOS INCIDENTALES OCASIONADOS POR EL INCUMPLIMIENTO DE ESTA GARANTÍA ESCRITA O DE CUALQUIER GARANTÍA IMPLÍCITA. ALGUNOS ESTADOS Y PROVINCIAS NO PERMITEN LA EXCLUSIÓN O LIMITACIÓN DE DAÑOS INCIDENTALES O CONSECUENTES O LIMITACIONES EN LA DURACIÓN DE LAS GARANTÍAS IMPLÍCITAS, DE MANERA QUE PUEDE QUE ESTAS LIMITACIONES O EXCLUSIONES NO SE APLIQUEN EN SU CASO. ESTA GARANTÍA ESCRITA LE OTORGA DERECHOS LEGALES ESPECÍFICOS. ES POSIBLE QUE TAMBIÉN TENGA OTROS DERECHOS QUE VARÍAN DE UN ESTADO A OTRO.

Si tiene que solicitar servicio técnico

Guarde su recibo, la boleta de entrega o cualquier otro registro de pago adecuado para establecer el período de la garantía si llegara a requerir servicio técnico. Si se realiza una reparación, es conveniente obtener y conservar todos los recibos de dicho servicio. El servicio técnico realizado bajo esta garantía debe ser obtenido a través de Electrolux utilizando las direcciones o números que se indican abajo.

Esta garantía sólo se aplica en los Estados Unidos, Puerto Rico y Canadá. En los EE. UU. y Puerto Rico, su electrodoméstico está garantizado por Electrolux Major Appliances North America, una división de Electrolux Home Products, Inc. En Canadá, su electrodoméstico está garantizado por Electrolux Canada Corp. Electrolux no autoriza a ninguna persona para que cambie ninguna de nuestras obligaciones bajo esta garantía ni tampoco agregue ninguna otra. Nuestras obligaciones de reparación y piezas bajo esta garantía deben ser realizadas por Electrolux o una compañía de servicio técnico autorizado. Las características o especificaciones descritas o ilustradas están sujetas a cambios sin previo aviso.

EE. UU.

1-877-435-3287

Electrolux Major Appliances North America
10200 David Taylor Drive
Charlotte, NC 28262

Canadá

1-800-265-8352

Electrolux Canada Corp.
5855 Terry Fox Way
Mississauga, Ontario, Canadá L5V 3E4

TABLE DES MATIÈRES

Pour trouver les informations 40

- Notez ces informations
 - pour une utilisation ultérieure 40
- Questions? 40
- Internet 40

Sécurité 41

- Conseils de sécurité importants 41

Résumé des caractéristiques 42

- Comment votre lave-vaisselle nettoie-t-il? 42

Instructions d'utilisation 43

- Bruits normaux de fonctionnement 43
- Sélection du cycle de lavage 43
- Sélection du cycle chart 44
- Smart Soil Détecteur 45
- Lumières D'indicateur 45

Préparation et chargement de la vaisselle 46

- Préparation de la vaisselle 46
- Chargement du panier supérieur 46
- Tiges à bols 47
- Panier supérieur réglable 47
- Rebattre Tines 47
- Chargement du Panier Inférieur 48
- Chargement du Panier à ustensiles 48

Distributeurs du lave-vaisselle

et détergents 49

- Remplissage du distributeur à détergent 49
- Quantité de détergent à utiliser 49
- Guide d'utilisation des détergents 49
- Produit de rinçage 50

Facteurs affectant les performances...50

- Pression de l'eau 50
- Température de l'eau 50

Entretien et nettoyage 51

- Extérieur 51
- Entretien du tuyau de ventilation de vidange 51
- Protection hivernale 51
- Nettoyage Du Filtre Fin 52

Solutions aux problèmes simples 53

- Nourriture restant sur la vaisselle 53
- La vaisselle n'est pas sèche 53
- Attaque de surface 53
- Les verres et les couverts comportent des taches ou sont recouverts
 - d'un film blanchâtre 54
- La vaisselle est ébréchée 54
- Bruits normaux que vous entendrez 54
- La vaisselle est tachée ou décolorée 55
- Du détergent reste dans le godet 55
- De l'eau reste dans le fond de la cuve... 55
- Le lave-vaisselle fuit 55

Le lave-vaisselle ne fonctionne pas 55

Le lave-vaisselle ne se vide pas correctement 56

Le cycle prend trop de temps 56

Le lave-vaisselle ne se remplit pas 56

Le lave-vaisselle a une odeur 56

Pour enlever les taches et les films 57

Renseignements sur la garantie 58

Version espagnole 20

Version anglaise 2

LIRE ET VEUILLEZ SAUVER CE GUIDE

Que toi pour choisir Electrolux, la nouvelle marque de la meilleure qualité dans des appareils ménagers. Ce & d'utilisation; Le guide de soin fait partie de notre engagement à la satisfaction du client et de qualité du produit durant toute la durée de vie de votre nouvel appareil.

Nous regardons votre achat comme commencement d'un rapport. Pour assurer notre capacité de continuer de vous servir, employer svp cette page pour enregistrer l'information sur le produit importante.

Date d'achat

Numéro de modèle

Numéro de série

QUESTIONS?

1-877-4Electrolux

INTERNET

Pour obtenir une aide en ligne et des informations sur le produit, veuillez consulter le site www.electroluxappliances.com aux É.-U. ou www.electroluxca.com au Canada.

REMARQUE

L'enregistrement de votre produit avec Electrolux augmente notre capacité de vous servir. Vous pouvez s'enregistrer en ligne chez www.electroluxappliances.com ou en laissant tomber votre carte d'enregistrement de produit dans le courrier.

ATTENTION

Ce symbole vous avertit de certains dangers tels que blessures, brûlures, incendie, et électrocution.

ATTENTION

Pour réduire les risques d'incendie, d'électrocution ou de blessure lorsque vous utilisez votre lave-vaisselle, suivre les précautions élémentaires suivantes:

CONSEILS DE SÉCURITÉ IMPORTANTS

Veillez lire tous ces conseils de sécurité avant d'utiliser votre nouveau lave-vaisselle Electrolux.

- Lisez toutes les instructions avant d'utiliser votre lave-vaisselle.
- N'utilisez votre lave-vaisselle qu'en suivant les instructions contenues dans ce Guide d'utilisation et d'entretien.
- Ce manuel ne couvre pas toutes les situations possibles qui pourraient se produire. Utilisez votre bon sens et prenez des précautions lors de l'installation, de l'utilisation et de l'entretien d'un appareil ménager.
- La « National Sanitation Foundation » (NSF) certifie que les lave-vaisselle pour usage domestique ne sont pas conçus pour les établissements licenciés de restauration. Ces établissements doivent utiliser des lave-vaisselle ayant une température d'eau plus élevée pour satisfaire aux exigences de désinfection.
- CE LAVE-VAISSELLE DOIT ÊTRE RACCORDÉ ÉLECTRIQUEMENT À LA TERRE. Lisez les Instructions d'installation pour les détails.
- Ce lave-vaisselle est conçu pour fonctionner avec une alimentation électrique domestique normale (120 V, 60 Hz). Utilisez un circuit équipé d'un fusible ou d'un disjoncteur de 15 ampères. Utilisez un circuit comportant un fusible de 20 ampères si le lave-vaisselle est raccordé à un broyeur à déchets.
- Ne faites pas fonctionner le lave-vaisselle si tous les panneaux extérieurs ne sont pas à leur place, comme il est expliqué dans les Instructions d'installation fournies avec votre lave-vaisselle.
- Pour éviter que personne ne reste enfermé et n'étouffe, retirez la porte du compartiment de lavage quand cet ancien lave-vaisselle est mis hors service ou au rebut.
- Ne permettez pas aux jeunes enfants et aux bébés d'approcher trop près du lave-vaisselle lorsqu'il est en fonctionnement.
- N'utilisez que des détergents et des produits de rinçage recommandés pour une utilisation dans un lave-vaisselle.
- Ne maltraitez pas, ne vous asseyez pas ou ne montez pas sur la porte ou le panier du lave-vaisselle.
- Ne lavez pas dans le lave-vaisselle les articles en plastique sauf s'ils sont prévus à cet effet. Vérifiez les recommandations du fabricant s'ils ne comportent pas de marque spécifique. Les articles qui ne sont pas prévus pour être lavés au lave-vaisselle peuvent fondre et créer un danger d'incendie.
- Si le lave-vaisselle s'évacue dans un broyeur à déchets, assurez-vous que celui-ci soit complètement vide avant de faire fonctionner le lave-vaisselle.
- Coupez le courant d'alimentation du lave-vaisselle avant tout dépannage.
- Les réparations doivent être effectuées par un technicien Electrolux qualifié.
- Ne modifiez pas les commandes.
- Faites attention en enlevant la vaisselle lorsque l'option de DÉSINFECTIION a été sélectionnée. Juste après la fin du cycle, la vaisselle peut être très chaude au toucher.
- Lors du chargement de la vaisselle à laver :
 - Mettez les articles pointus et les couteaux de manière à ce qu'ils ne puissent pas endommager la cuve ou son joint
 - Mettez les articles pointus et les couteaux la pointe en bas pour réduire le risque de blessure par coupure. Vous pouvez aussi placer les articles pointus et les couteaux sur l'étagère à ustensiles de cuisine située dans le panier supérieur.

- Dans certaines conditions, de l'hydrogène peut être libéré par un système d'eau chaude qui n'a pas été utilisé pendant 2 semaines ou plus. L'HYDROGÈNE EST UN GAZ EXPLOSIF. Si le système d'eau chaude n'a pas été utilisé pendant cette période, avant d'utiliser le lave-vaisselle, ouvrez tous les robinets d'eau chaude et laissez l'eau couler pendant plusieurs minutes. Ceci permettra à l'hydrogène accumulé de s'échapper. L'HYDROGÈNE EST UN GAZ INFLAMMABLE. Ne fumez pas et n'utilisez pas une flamme nue à ce moment là.

- Ne rangez pas ou n'utilisez pas de matériaux combustibles, d'essence ou d'autres gaz ou liquides inflammables à proximité de cet appareil ou de tout autre appareil ménager.

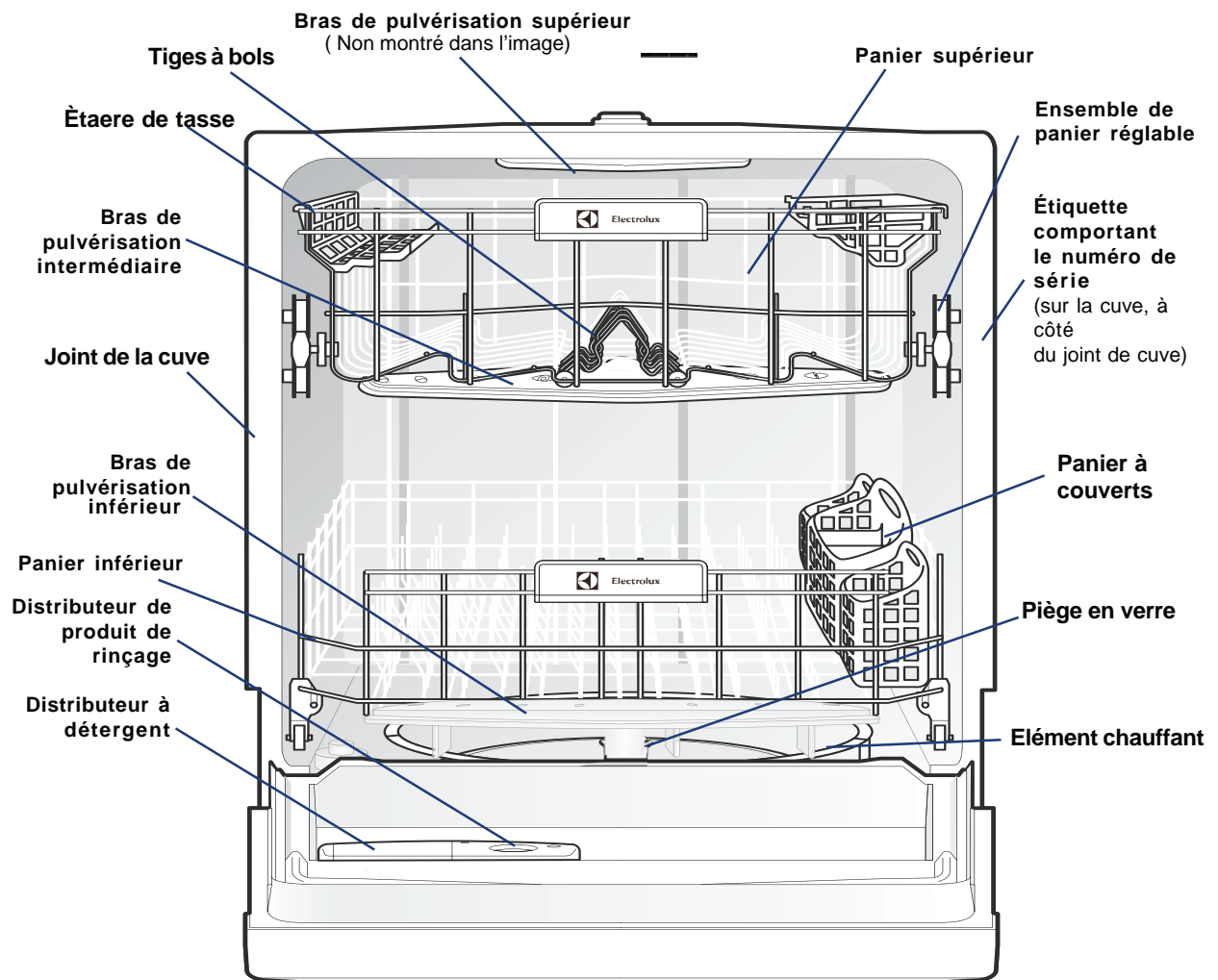
REMARQUE

CONSERVEZ CES INSTRUCTIONS DE SÉCURITÉ IMPORTANTES POUR LES CONSULTER ULTÉRIEUREMENT.

RÉSUMÉ DES CARACTÉRISTIQUES

Votre lave-vaisselle lave la vaisselle et les ustensiles en faisant gicler un mélange d'eau chaude et de détergent à travers les bras de lavage contre les surfaces souillées. Chaque cycle démarre par une vidange. Para la suite, le lave-vaisselle se remplit d'eau de manière à recouvrir le filtre.

L'eau est ensuite pompée à travers le filtre et les bras de lavage. L'eau sale chargée de particules solides est pompée par le tuyau d'écoulement et remplacée par de l'eau propre. Le nombre de remplissages d'eau dépend du cycle sélectionné.





Pour faire fonctionner votre lave-vaisselle, suivez ces étapes de base :

- 1** Chargez la vaisselle. (Voir Préparation et chargement de la vaisselle)
- 2** Ajoutez le détergent. (Voir Distributeurs du lave-vaisselle et détergents)
- 3** Ajoutez du produit de rinçage si nécessaire. (Voir Produit de rinçage)
- 4** Sélectionnez le CYCLE désiré. (Voir Sélection des cycles)
Les touchpads sont blanc lumineux une fois choisis.
- 5** Sélectionnez les OPTIONS désirées. (Voir Sélection de l'option d'énergie)
Les touchpads sont blanc lumineux une fois choisis.
- 6** Pour mettre en marche, appuyez sur le bouton MARCHE/ANNULATION et fermez la porte. (Voir Marche/Annulation)

CHOIX DE CYCLE DE LAVAGE

Les durées de cycle sont approximatives et varieront avec des options choisies. L'eau chaude est nécessaire pour activer le détergent de lave-vaisselle et pour fondre des sols de nourriture grasse. L'eau chaude est nécessaire pour la meilleure vaisselle et les résultats de séchage. Le lave-vaisselle entrant de l'eau devrait être au moins 120°F (49°C) pour donner des résultats satisfaisants.

Séchage à l'air (Air Dry)

L'option de séchage à l'air AIR DRY, combinée à un agent de rinçage, améliorera les performances de séchage de votre lave-vaisselle. La consommation d'énergie nécessaire à l'utilisation de l'option de séchage à l'air AIR DRY coûte moins de quelques cents par cycle. Vous pouvez choisir de ne pas utiliser l'option de séchage à l'air AIR DRY. Cependant, certains articles de votre vaisselle ne seront pas tout à fait secs à la fin du cycle.

Lavage Haute Température (Hi-Temp Wash)

Lorsque l'option HI-TEMP WASH est sélectionnée, le lave-vaisselle porte la température de l'eau du lavage principal à environ 60°C (140°F).

Cette augmentation de la température de l'eau renforce l'action du détergent du lave-vaisselle pour enlever la graisse des ustensiles et les restes de nourriture plus efficacement et permet un séchage plus rapide de la vaisselle. L'option HI-TEMP WASH est fournie automatiquement lorsque le cycle HEAVY WASH est sélectionné.

Désinfection (Sanitize)

Pour désinfecter votre vaisselle et vos verres, sélectionnez SANITIZE. Une fois sélectionné, le voyant lumineux situé au-dessus de la touche s'allume. La température de l'eau au cours du dernier rinçage sera élevée à 68°C (155°F). Un rinçage de désinfection est fourni automatiquement dans le cycle SANITIZE et peut être sélectionné pour les cycles HEAVY WASH, NORMAL WASH et LIGHT WASH. Ces cycles de lavage sanitaire ont seulement été conçus pour répondre aux exigences NSF.

La durée du cycle en question sera prolongée jusqu'à ce que la température correcte de l'eau soit atteinte. L'action de lavage se poursuit pendant le délai de chauffage de l'eau. Pour de meilleurs résultats, la température de l'eau devant être élevée doit être d'au moins 49°C (120°F).

Le critère de désinfection peut ne pas être satisfait en cas d'interruption du cycle, de panne de courant ou si la température de l'eau d'arrivée est inférieure à 49°C (120°F).

Pour désactiver l'option SANITIZE, appuyer une seconde fois sur la touche. Le voyant lumineux situé au-dessus s'éteint.

Démarrage retardé (Delay Start)

L'option DELAY START vous permet de différer le départ de votre lave-vaisselle automatiquement de 1 à 24 heures ou de selon le modèle.

Sur les modèles avec départ différé de 1 à 24 heures, appuyez sur la touche DELAY START jusqu'à l'apparition de l'attente voulue sur l'afficheur STATUS. Un voyant s'allumera pour indiquer l'heure du départ et restera allumé jusqu'au début du cycle.

Pour annuler l'option DELAY START et démarrer le cycle avant que le compte à rebours ne soit terminé, appuyez sur la touche START/CANCEL.

Verrouillage des commandes pour les enfants

Pour empêcher les enfants de mettre en marche le lave-vaisselle ou de changer accidentellement les programmes, verrouillez les commandes de l'appareil en appuyant sur la touche AIR DRY pendant 3 secondes. Lorsque les commandes seront verrouillées, un voyant lumineux s'allumera sur la touche de verrouillage. Aucune nouvelle sélection ne pourra alors être faite avant que le dispositif de verrouillage soit désactivé. Pour déverrouiller les commandes, appuyez sur la touche AIR DRY jusqu'à ce que le voyant lumineux s'éteigne.

TABLEAU DES CYCLES

(Pas tous les cycles sont disponibles sur tous les modèles.)

Cidos	Pour Sélectionner le cycle	Degré de Saleté	Eau (aprox.)	Durée* (aprox.)	Lavages/Rinçages
Lavage Heavy Heavy Wash Pour les casseroles, les cocottes ou la vaisselle présentant des dépôts séchés ou incrustés.	Sélectionner HEAVY WASH et les OPTIONS voulues. Les options HI-TEMP WASH sont fournies automatiquement.	Élevé et Moyen	33,1 litres	150	3 lavages 4 rinçages
		Léger	18,9 litres	100	1 lavage 2 rinçages
Lavage Normal Normal Wash Pour la vaisselle et les ustensiles moyennement sales.	Sélectionner NORMAL WASH et les OPTIONS voulues.	Élevé	28,4 litres	130	3 lavades 3 rinçages
		Moyen	18,9 litres	110	1 lavade 2 rinçages
		Léger	13,3 litres	135	1 lavade 2 rinçages
Lavado Auto Auto Wash Un lavage rapide pour la vaisselle et les ustensiles d'un niveau de saleté normal.	Sélectionner AUTO WASH et les OPTIONS voulues.	Élevé	26,1 litres	120	3 lavades 3 rinçage
		Moyen et Léger	13,3 litres	135	1 lavade 2 rinçages
Eco Utiliser ce réglage pour la vaisselle en porcelaine et en crystal.	Sélectionner ECO et les OPTIONS voulues.		21,8 litres	105	3 lavades 2 rinçages
Lavage Quick Quick Wash Pour la vaisselle et les ustensiles peu sales ou rincés au préalable.	Sélectionner QUICK WASH et les OPTIONS voulues.		17,6 litres	70	2 lavades 2 rinçages
Rinçage seulement Rinse Only Pour rincer la vaisselle qui sera lavée plus tard.	Sélectionner RINSE ONLY. NE PAS UTILISER détergente.		9,0 litres	17	2 rinçages



Smart Soil Détecteur

Sur certains modèles, le Smart Sensor vérifie le degré de saleté de la vaisselle pour les cycles Heavy Wash, Light Wash et Normal Wash cycles. Selon le degré de saleté, le détecteur détermine le besoin de remplissages d'eau supplémentaires pour nettoyer la vaisselle ou la suppression de remplissages d'eau inutiles. La durée des cycles et la quantité d'eau utilisée varient en fonction du degré de saleté de la vaisselle. La durée de cycle varie également en fonction des options sélectionnées et de la température de l'eau à l'arrivée. Pas tous les cycles sont disponibles sur tous les modèles.

Lumières D'indicateur

Quand l'option SANITIZE est sélectionnée, le témoin SANITIZED s'allume quand le cycle SANITIZE est terminé. Si la vaisselle n'a pas subi un lavage sanitaire, le témoin ne s'allumera pas. Ceci peut se produire si le cycle est interrompu. Le témoin demeure allumé jusqu'à l'ouverture de la porte.

Le voyant lumineux CLEAN s'allume à la fin du cycle et ne s'éteint qu'à l'ouverture de la porte du lave-vaisselle.

REMARQUE

Lumières et d'affichage sur le dessus de la console s'éteindra lorsque la porte est fermée. Ils s'allument quand la porte est ouverte et remaining temps d'affichage sera affichée pendant quelques secondes. Puis "Cd" clignotant s'affiche, vous informant de fermer la porte, si le cycle peut se poursuivre.

1H-24H.....	Nombre d'heures de retard de démarrage.
Cd.....	Fermer la porte du lave-vaisselle. Les signaux lumineux de la fenêtre se mettront également à clignoter pour indiquer le cycle en cours.
MINUTES.....	Si le cycle dure plus longtemps que 200 minutes, un petit signal lumineux apparaîtra dans le coin inférieur droit et restera allumé jusqu'à ce qu'il reste moins de 200 minutes.
PF.....	Apparaît sur la fenêtre lors de la première installation ou lorsqu'il y a eu une panne d'électricité. Les signaux lumineux HI-TEMP WASH et NO HEAT DRY clignotent également. Pour annuler, appuyer sur la touche START/CANCEL.

REMARQUE

Le temps de cycle de lavage pourrait brusquement augmenter ou de baisse de plusieurs minutes. Cela signifie que le Smart Sensor (détecteur intelligent) a vérifié le degré de saleté de la vaisselle et a déterminé le besoin de remplissages supplémentaires en eau ou de la suppression de remplissages en eau inutiles.

PRÉPARATION DE LA VAISSELLE

Enlevez les gros morceaux de nourriture, les os, les noyaux, les cure-dents, etc. Le système de lavage enlèvera les particules d'aliments restantes. Grattez doucement les aliments brûlés avec un ustensile ne rayant pas ou faites tremper le plat avant de le laver (Voir Figure 1). Videz les liquides des verres et des tasses.

Les aliments contenant des huiles végétales et/ou des additifs chimiques tels que la moutarde, la mayonnaise, le vinaigre, le jus de citron ou des produits à base de tomates, peuvent provoquer une décoloration de l'acier inox et des plastiques s'ils restent en contact pendant long temps avec ces objets. Sauf si le lave-vaisselle doit être mis en marche immédiatement, il est conseillé de rincer ce genre de résidus alimentaires.

- Chargez les paniers de façon à ce que les gros objets n'empêchent pas le distributeur de détergent de s'ouvrir.
- Vérifiez les recommandations du fabricant avant de laver des objets dont on n'est pas sûr.
- Si le lave-vaisselle se vidange dans un broyeur à déchets, **assurez-vous que le broyeur à déchets est complètement vide avant de mettre en marche le lave-vaisselle.**

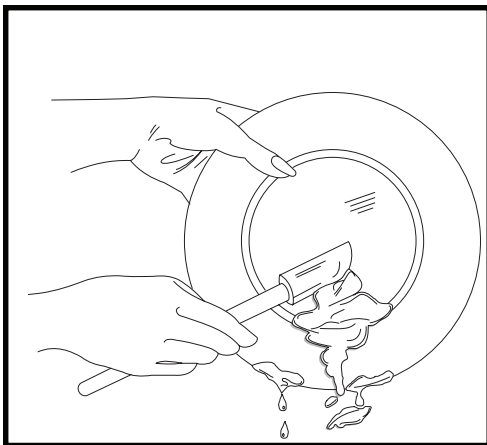
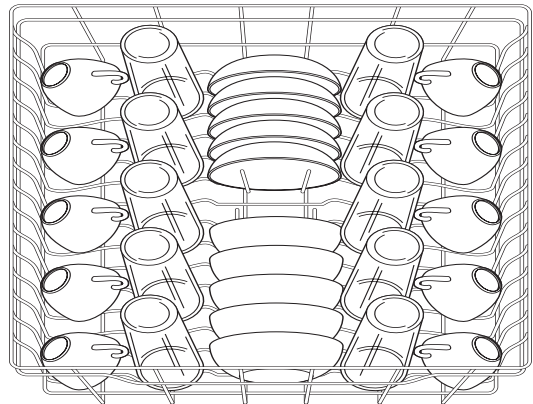


Figure 1

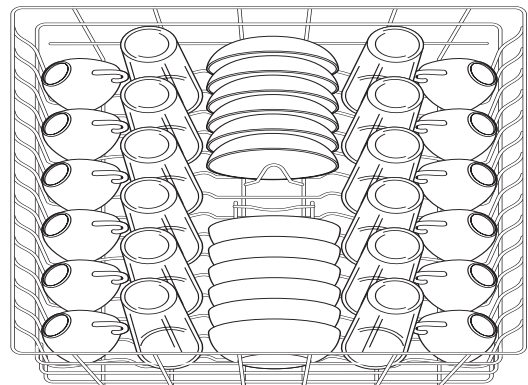
CHARGEMENT DU PANIER SUPÉRIEUR

Le panier supérieur est conçu pour pouvoir disposer à votre guise de nombreux objets, y compris les tasses, les verres, les verres à pied, les petites assiettes, les bols, etc.

- Disposez les verres dans le panier supérieur. Ils peuvent être endommagés s'ils sont placés dans le panier inférieur.
- Placez les objets avec l'ouverture vers le bas pour qu'ils soient mieux nettoyés et qu'ils s'égouttent bien.
- Les objets délicats peuvent être endommagés s'ils se touchent pendant le fonctionnement du lave-vaisselle.
- Les couteaux à manche long et les ustensiles de cuisine peuvent être placés sur l'étagère à ustensiles du panier supérieur.
- Assurez-vous que rien ne dépasse en dessous du panier supérieur qui viendrait bloquer la rotation du bras de pulvérisation intermédiaire.



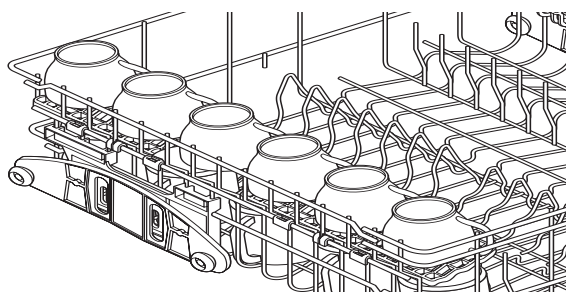
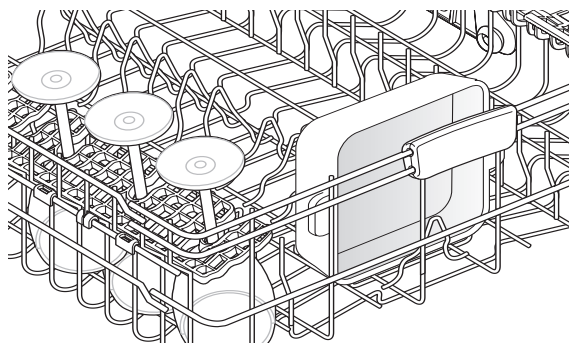
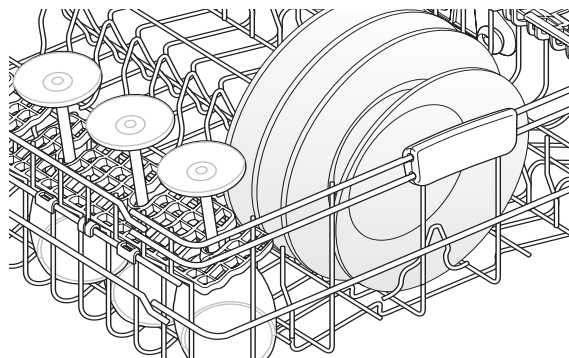
Chargement standard pour 10 couverts



Chargement standard pour 12 couverts

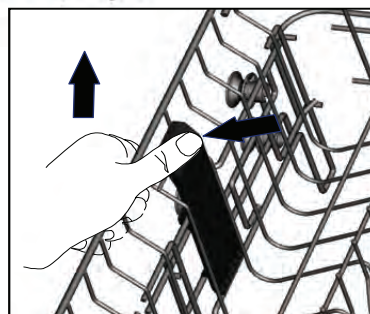
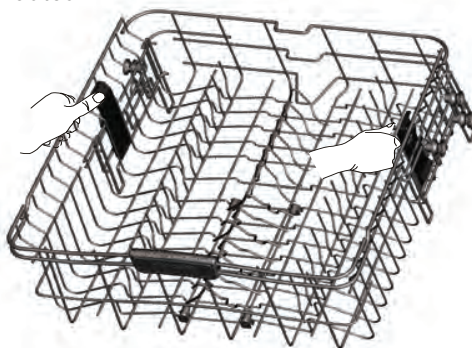
Tiges à bols

Le Capteur offre une souplesse ultime. Une fois fermé, charger les soucoupes ou la petite vaisselle. Ouvrez-le à moitié et c'est parfait pour charger les petites casseroles. Ouvrez-le complètement pour mettre les ustensiles qui sont difficiles à charger comme les cafetières ou les robots ménagers, etc. Au fur et à mesure des utilisations, vous trouverez de nombreuses autres façons d'utiliser cette caractéristique unique.



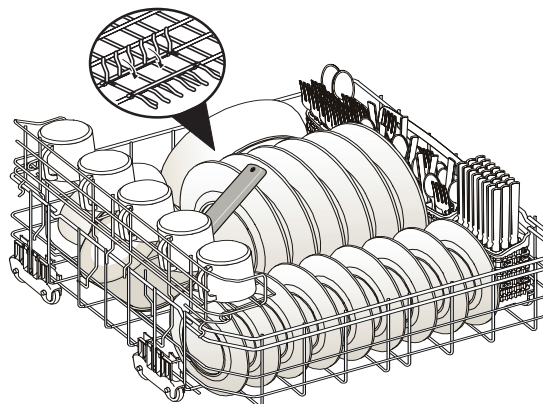
Pour placer de la vaisselle plus volumineuse dans le panier inférieur, il est possible d'utiliser 2 réglages différents:

Pour élever le panier à la position du milieu ou à la position la plus haute, soulevez-le simplement jusqu'au niveau désiré. La manette est reliée à un système de ressort qui placera automatiquement le panier à la position du haut. Pour abaisser le panier à la position du bas, appuyez sur la manette avec les pouces en poussant simultanément vers le bas. Pour faciliter le réglage du panier, assurez-vous que ce dernier est de niveau de l'avant vers l'arrière et que ses côtés sont à la même hauteur.



Rabattre Tines

Le rabattre dents dans le panier inférieur faire un chargement facile pour ceux extra larges et difficiles d'articles en forme. Les dents mai être laissé pour un usage normal ou abaissée pour le chargement plus souple. Pliez le bas pour plus d'espace pour charger de grands pots ou des casseroles.



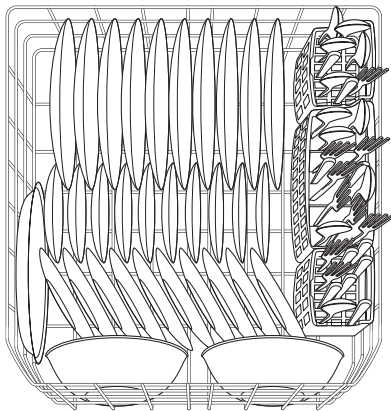
Panier supérieur réglable (certains modèles)

La hauteur du panier supérieur peut facilement être réglée. Vous pourrez ainsi placer de la vaisselle plus volumineuse dans l'un ou l'autre des paniers. Il est conseillé de régler la hauteur lorsque les paniers ne contiennent pas de vaisselle.

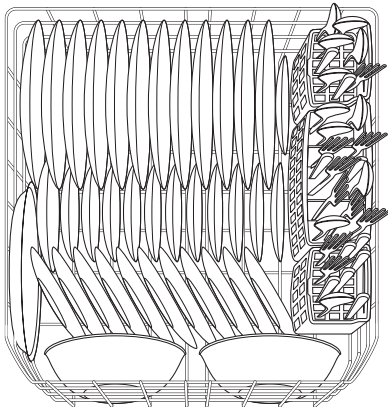
CHARGEMENT DU PANIER INFÉRIEUR

Le panier inférieur est conçu pour contenir les assiettes, les casseroles, les bols et la batterie de cuisine.

- Les gros objets doivent être placés le long des bords pour ne pas bloquer la rotation du bras de pulvérisation intermédiaire.
- Pour obtenir de meilleurs résultats, placez les bols, les sauteuses et les casseroles avec la surface sale dirigée vers le bas ou vers le centre. Inclinez-les légèrement pour qu'ils s'égouttent bien.
- Assurez-vous que les objets hauts ne bloquent pas la rotation du bras de pulvérisation intermédiaire.
- Assurez-vous que les poignées des casseroles ne dépassent pas en dessous du panier et ne bloquent pas la rotation du bras de pulvérisation inférieur.



Chargement standard pour 10 couverts

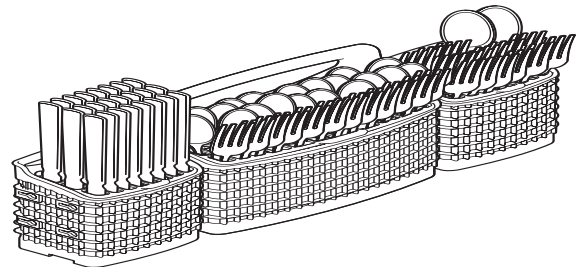


Chargement standard pour 12 couverts

CHARGEMENT DU PANIER À USTENSILES

Chargez le panier à couverts lorsqu'il est dans le panier inférieur ou sortez le panier pour placer les couverts dedans en le plaçant sur le comptoir ou sur la table.

- Placez les petits objets comme les capuchons des biberons, les couvercles de pots, les piques pour le maïs, etc. dans la partie couverte. Fermez le couvercle pour maintenir les petits objets en place.
- Assurez-vous que rien ne dépasse du dessous du panier ou du panier inférieur qui pourrait bloquer la rotation du bras de pulvérisation inférieur.
- Ne mélangez pas les couverts en inox avec ceux en métal argenté pour éviter d'endommager la finition du métal argenté.



⚠ PRECAUCION

Coloque los artículos afilados (cuchillos, pinchos de brocheta, etc.) con las puntas hacia abajo.

No hacerlo puede causar lesiones.

Remplissage du distributeur de déterfif

Le distributeur de détergent comporte un godet pour le pré-lavage et un pour le lavage principal. Le déterfif dans le godet découvert tombe dans le lave-vaisselle dès que la porte se ferme. Le godet fermable s'ouvre automatiquement durant le lavage principal.

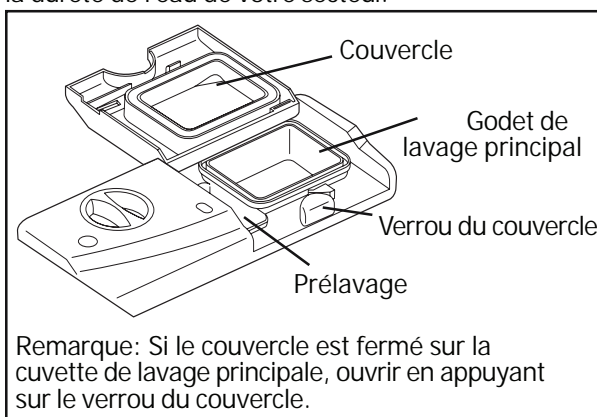
- Utiliser uniquement un détergent neuf pour lave-vaisselle automatique. D'autres types de détergent peuvent provoquer une formation de mousse excessive.
- Si l'on utilise les tablettes de détergent pour lave-vaisselle, il suffit de placer une tablette dans le godet principal de détergent et de fermer ce godet.
- Ajouter du détergent avant de commencer le cycle.
- Ranger le détergent dans un endroit frais et sec. Un détergent qui a pris l'humidité et qui s'est solidifié ne se dissout pas complètement.

NOTA

Dans le cas d'eau très dure, le détergent seul peut ne pas être suffisant. Il est recommandé d'ajouter un adoucisseur d'eau pour améliorer la qualité de l'eau et les performances de lavage. Essayer d'ajouter du détergent au commencement de la portion lavage principal du cycle. En règle générale, utiliser une cuillère à thé pour chaque grain au-dessus de 12. Déverrouiller la porte, ouvrir lentement et ajouter du détergent au fond de la cuve. Fermer la porte pour la verrouiller et le lave-vaisselle continuera le cycle.

Quelle quantité de détergent utiliser

La quantité de détergent à utiliser dépend de la dureté de l'eau. La dureté de l'eau est mesurée en grains par gallon. Lorsque la quantité de détergent est insuffisante, les résultats de lavage peuvent être insatisfaisants, et l'eau dure peut laisser un film ou des taches sur la vaisselle. L'utilisation d'une trop grande quantité de détergent dans l'eau douce peut entraîner la formation d'un film permanent par suite d'attaque par le détergent. La compagnie des eaux, la compagnie d'adoucisseurs de votre région ou les services publics de la municipalité peuvent vous fournir la dureté de l'eau de votre secteur.



GUIDE D'UTILISATION DES DÉTERGENTS

Cycle	Eau douce (0 à 3 grains)	Eau de dureté moyenne (4 à 8 grains)	Eau dure (9 à 12 grains)	Eau très dure* (au-dessus de 12 grains)
Lavage Heavy (Heavy Wash) ou lavage normal (Normal Wash)	2 cuillères à café (godet de lavage principal : 1/4 plein)	5 cuillères à café (godet de lavage principal : remplir jusqu'à la ligne au-dessus de la mention « normal »)	8 cuillères à café (godet de lavage principal : complètement plein)	Chaque godet complètement plein (Adoucisseur d'eau recommandé)
Lavage Rapide (Light Wash)	2 cuillères à café (godet de lavage principal : 1/4 plein)	5 cuillères à café (godet de lavage principal : remplir jusqu'à la ligne au-dessus de la mention « normal »)	8 cuillères à café (godet de lavage principal : complètement plein)	Chaque godet complètement plein (Adoucisseur d'eau recommandé)
Rinçage Seulement (Rinse Only)	Pas de détergent	Pas de détergent	Pas de détergent	Pas de détergent (Adoucisseur d'eau recommandé)

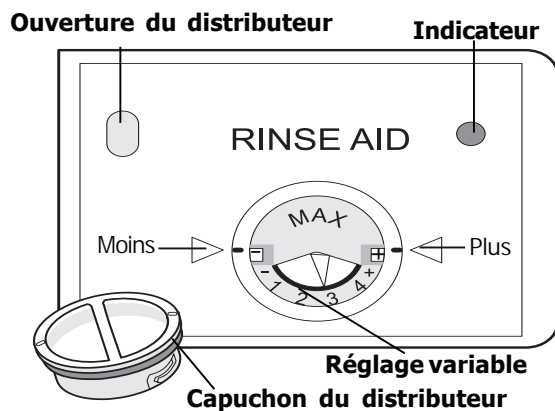
PRODUIT DE RINÇAGE

Le produit de rinçage améliore de beaucoup le séchage et réduit le risque de formation de taches et de films dus à l'eau. Il permet à l'eau de s'écouler de la vaisselle plutôt que de former des gouttelettes qui s'accrochent et laissent des taches.

Le distributeur de produit de rinçage, situé près du godet à détergent, relâche automatiquement une quantité mesurée de produit de rinçage lors du dernier rinçage. Si vous observez des taches et que le séchage n'est pas parfait, augmentez la quantité de produit de rinçage distribuée en tournant le réglage sur un numéro plus élevé. Le réglage est situé sous le bouchon du distributeur.

L'indicateur est sombre lorsque le distributeur est plein et devient clair lorsqu'il est temps de le remplir.

Les modèles possédant une fenêtre d'indication d'état affichent LO à la fin du cycle pour indiquer qu'il est temps de refaire le plein du produit de rinçage.



Pression de l'eau

La canalisation d'alimentation d'eau chaude au lave-vaisselle doit fournir une pression d'eau entre 20 et 120 psi.

La pression d'eau peut être basse lorsqu'une machine à laver ou les douches fonctionnent. Attendez une réduction de l'utilisation d'eau avant de démarrer le lave-vaisselle.

Température de l'eau

L'eau chaude est nécessaire pour de meilleurs résultats de lavage et de séchage. Pour donner des résultats satisfaisants, l'eau arrivant dans le lave-vaisselle doit avoir une température d'au moins 120°F (49°C).

Pour vérifier la température de l'eau arrivant dans le lave-vaisselle:

- Tournez le robinet d'eau chaude le plus proche du lave-vaisselle pendant quelques minutes pour dégager l'eau fraîche des tuyaux.
- Tenez un thermomètre de bonbons ou à viande sous l'eau pour vérifier la température.
- Si la température est inférieure à 49°C (120°F), faire augmenter le réglage du thermostat du chauffe-eau par une personne qualifiée.

IMPORTANT

Avant de démarrer un cycle de lavage, faites couler l'eau chaude pour dégager l'eau fraîche du tuyau d'arrivée d'eau.

L'option de séchage à chaud HEAT DRY combinée à un agent de rinçage, améliorera les performances de séchage de votre lave-vaisselle. La consommation d'énergie nécessaire à l'utilisation de l'option de séchage à chaud HEAT DRY coûte moins de quelques cents par cycle. Vous pouvez choisir de ne pas utiliser l'option de séchage à chaud HEAT DRY. Cependant, certains articles de votre vaisselle ne seront pas tout à fait secs à la fin du cycle.

AVERTISSEMENT**Risques de brûlure**

Laissez refroidir l'élément chauffant avant de nettoyer l'intérieur.

Dans le cas contraire il pourrait en résulter des brûlures.

Extérieur—Lave de temps en temps à l'aide d'un détergent doux et de l'eau. Rincer et sécher.

Modèles à porte en acier inoxydable—La cuve est faite d'acier inoxydable, il ne sera pas la rouille ou la corrosion si le lave-vaisselle devrait être rayée ou cabossée.

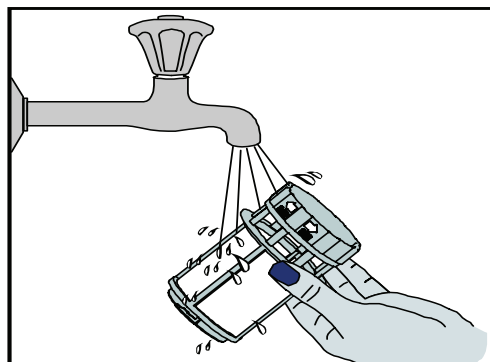
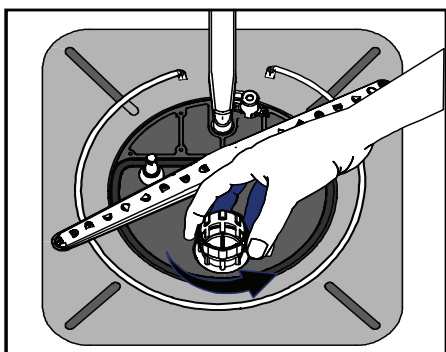
Entretien du tuyau de ventilation de vidange

Si un tuyau de ventilation de vidange est installé pour votre lave-vaisselle encastré, assurez-vous qu'il est propre de manière à ce que le lave-vaisselle puisse vidanger correctement. Un tuyau de ventilation de vidange est monté habituellement sur le dessus de comptoir et peut être inspecté en enlevant le bouchon. Ceci ne fait pas partie de votre lave-vaisselle et n'est pas couvert par la garantie.

Nettoyage du filtre cylindrique

Le filtre cylindrique est conçu pour recueillir de gros débris comme du verre cassé, des os et des noyaux. Ce filtre doit être nettoyé pour maximiser les performances de lavage.

Enlevez le panier inférieur, tournez le filtre cylindrique comme indiqué sur l'illustration, puis retirez le filtre. Ensuite, videz et nettoyez ce dernier en le rinçant à l'eau courante, puis remettez-le en place.

**ATTENTION****Risques de dommage matériel**

Des températures de gel peuvent provoquer des fuites de conduites d'eau. Assurez-vous que toutes les conduites d'eau au lave-vaisselle et ses canalisations intérieures sont protégées. Dans le cas contraire, il pourrait résulter des dommages matériels.

Protection hivernale

Un lave-vaisselle laissé à un endroit non chauffé doit être protégé du gel. Demandez à une personne qualifiée de faire ce qui suit:

De débrancher les services d'alimentation:

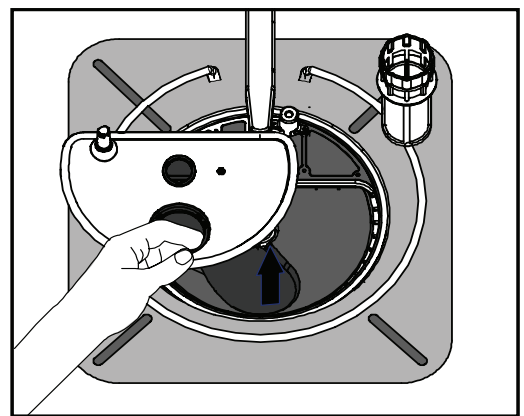
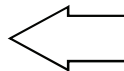
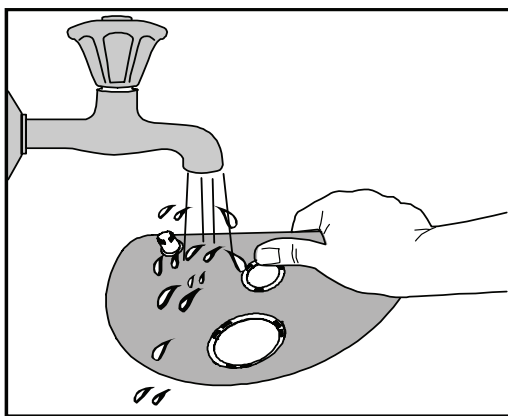
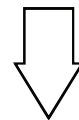
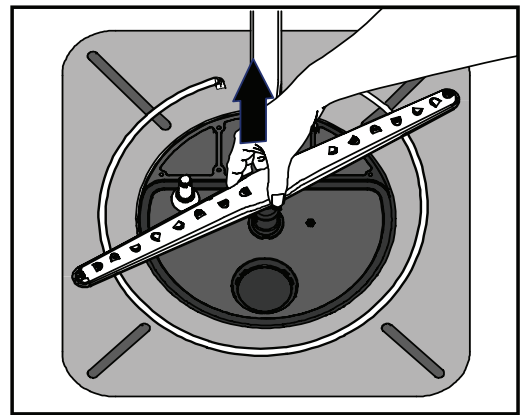
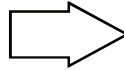
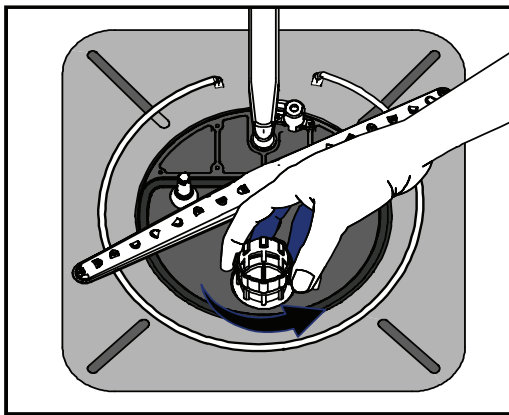
1. Fermez le courant électrique au lave-vaisselle à la source d'alimentation en retirant les fusibles ou fermant le disjoncteur de circuit.
2. Fermez l'alimentation d'eau.
3. Placez un récipient sous le robinet d'arrivée d'eau. Débranchez la canalisation d'eau du robinet d'arrivée d'eau et vidangez dans le récipient.
4. Déconnectez le tuyau de vidange de la pompe et vidangez l'eau dans le récipient.

Pour rétablir le service:

1. Rebranchez l'eau, le tuyau de vidange et le courant électrique.
2. Ouvrez l'eau et le courant électrique.
3. Remplir les deux distributeurs de détergent et faire fonctionner le lave-vaisselle en cycle HEAVY WASH.
4. Vérifiez les connexions pour assurer qu'elles sont dénuées de fuite.

NETTOYAGE DU FILTRE FIN

Enlevez le filtre cylindrique, puis retirez le filtre fin qui se trouve au fond de la cuve du lave-vaisselle. Pour ôter le filtre fin, vous devez d'abord enlever le bras de lavage inférieur, comme indiqué ci-dessous. Nettoyez le filtre fin à grande eau en le tenant sous de l'eau courante, puis remettez-le en place.



IMPORTANT

Avant d'appeler pour un dépannage, relisez ce chapitre. Il peut vous gagner du temps et vous économiser de l'argent. Ce chapitre contient les solutions aux problèmes simples qui ne sont pas le résultat d'un défaut de main-d'œuvre ou de matériaux défectueux de votre lave-vaisselle.

NOURRITURE RESTANT SUR LA VAISSELLE

- Vérifiez la température de l'alimentation en eau. (Voir Pour commencer, page 52.) Elle doit être d'au moins 120°F (49°C). (Voir Facteurs affectant les performances)
- Choisissez un autre cycle pour un temps de lavage plus long.
- Vérifiez que les paniers sont bien chargés. Évitez l'emboîtement des objets.
- La pression d'eau de la maison peut être trop basse. Elle doit être comprise entre 20 et 90 livres par pouce carré (lb/po²).
- Vérifiez la dureté de l'eau. Pour les eaux très dures, il peut être nécessaire d'installer un adoucisseur d'eau. (Voir Guide d'utilisation du détergent)
- Utilisez un nouveau détergent.
- Assurez-vous qu'aucun objet ne bloque l'un des bras de pulvérisation, l'empêchant de tourner.

LA VAISSELLE N'EST PAS SÈCHE

- Assurez-vous que le distributeur de produit de rinçage est rempli.
- Augmentez la quantité de produit de rinçage (Voir Produit de rinçage).
- Vérifiez la température de l'alimentation en eau. Assurez-vous qu'elle est d'au moins 120°F (49°C).
- Vérifiez le chargement. Évitez l'emboîtement des objets.
- Les objets en plastique peuvent avoir besoin d'être essuyés. Il y a plus d'eau qui reste sur les objets en plastique car leur surface n'est pas aussi chaude que celle des objets en verre ou en métal.
- Les tasses avec un fond concave gardent l'eau.

ATTAQUE DE SURFACE

- L'utilisation d'une trop grande quantité de détergent avec une eau douce ou adoucie provoque ce film qui ne peut pas être enlevé.
- Ajustez la quantité de détergent en fonction de la dureté de l'eau. (Voir Guide d'utilisation du détergent)
- Abaissez la température de l'eau.

LES VERRES OU LES COUVERTS COMPORTENT DES TACHES OU SONT RECOUVERTS D'UN FILM BLANCHÂTRE

- Vérifiez la dureté de l'eau. Pour des eaux très dures, il peut être nécessaire d'installer un adoucisseur d'eau. (Voir Guide d'utilisation du détergent)
- La température de l'eau peut être trop basse. Évitez les températures extrêmement basses ou hautes. (Voir Facteurs affectant les performances)
- Évitez de trop charger le lave-vaisselle ou de le charger de manière incorrecte. (Voir Préparation et chargement de la vaisselle)
- Utilisez un nouveau détergent. Un vieux détergent n'est pas efficace.
- Assurez-vous que le distributeur de produit de rinçage est plein.
- Vérifiez si la quantité appropriée de détergent est utilisée pour le cycle sélectionné. (Voir Distributeur de détergent)
- La pression d'eau de la maison peut être trop basse. Elle doit être comprise entre 20 et 90 livres par pouce carré (lb/po²).

L'AFFICHAGE NE FONCTIONNE PAS

- Vérifiez si l'appareil est en mode sabbat. Reportez-vous à la page 53 pour activer l'affichage de nouveau.

LA VAISSELLE EST ÉBRÉCHÉE

- Chargez la vaisselle avec soin et ne surchargez pas le lave-vaisselle. (Voir Préparation et chargement de la vaisselle)
- Placez les objets délicats dans le panier supérieur.
- Appuyez bien les verres contre les tiges et ne les placez pas sur les tiges.
- Rangez les objets de façon à ce qu'ils soient stables et qu'ils ne basculent pas lors du déplacement des paniers. Tirez ou poussez les paniers lentement.
- Assurez-vous que les grands verres et les verres à pied ne touchent pas le dessus de la cuve lorsque le panier est repoussé.
- Il est recommandé de laver la porcelaine fine ancienne et les cristaux à la main.

BRUITS NORMAUX QUE VOUS ENTENDREZ

- Les bruits normaux comprennent le remplissage de l'eau, la circulation de l'eau et les bruits des moteurs.
- La pulsation de la pompe provoque une augmentation et une diminution de la vitesse du moteur à intervalles réguliers pendant les cycles.

LA VAISSELLE EST TACHÉE OU DÉCOLORÉE

- Le thé et le café peuvent tacher les tasses. Enlevez les taches en lavant à la main dans une solution d'eau de javel d'1/2 tasse (120 mL) dans un quart (1 L) d'eau tiède. Rincez soigneusement.
- Les dépôts de fer dans l'eau peuvent provoquer un film jaune ou brun. Un filtre à eau installé dans la tuyauterie d'alimentation corrigera ce problème.
- Les ustensiles de cuisine en aluminium peuvent laisser des marques grises ou noires lorsqu'ils frottent sur les autres objets. Effectuez correctement le chargement.
- Certains aliments très acides peuvent provoquer la décoloration de l'acier inox et des plastiques s'ils sont en contact avec ces objets pendant longtemps. Utilisez le cycle de rinçage ou rincez à la main si le lave-vaisselle n'est pas mis en marche immédiatement.
- Le mélange de couverts en acier inox et en métal argenté dans le panier à couverts peut provoquer des points d'attaque sur les lames en acier inox. Évitez de mélanger les couverts en acier inox et en métal argenté.

DU DÉTERGENT RESTE DANS LE GODET

- Le détergent peut être vieux. Jetez-le et utilisez un nouveau détergent.
- Assurez-vous que l'action de l'eau peut atteindre le distributeur.
- Vérifiez que le cycle est bien terminé.
- Assurez-vous que des objets n'empêchent pas le distributeur de s'ouvrir.
- Assurez-vous que le panier supérieur est fermement attaché à la buse située à l'arrière de la cuve avant de fermer la porte.

DE L'EAU RESTE DANS LE FOND DE LA CUVE

- Il n'est pas normal que de l'eau reste dans le fond de la cuve à la fin du cycle. Si c'est le cas, le lave-vaisselle peut ne pas se vidanger correctement. (Voir Le lave-vaisselle ne se vide pas correctement) Il peut aussi être nécessaire de nettoyer le filtre. (Voir Entretien du filtre)
Remarque : Il est normal de voir un peu d'eau sous le filtre à la fin d'un cycle.

LE LAVE-VAISSELLE FUIT

- Utilisez seulement un nouveau paquet de détergent conçu pour les lave-vaisselle automatiques. Mesurez le détergent soigneusement. Essayez une marque différente.
- Du produit de rinçage renversé peut provoquer de la mousse et entraîner un débordement. Essuyez tout renversement avec un chiffon mouillé.
- Vérifiez que le lave-vaisselle est bien de niveau. (Voir Instructions d'installation.)

LE LAVE-VAISSELLE NE FONCTIONNE PAS

- Vérifiez que le disjoncteur n'est pas déclenché ou que le fusible n'est pas brûlé.
- Assurez-vous que l'alimentation en eau est ouverte.
- Vérifiez que le cycle est programmé correctement. (Voir Instructions d'utilisation)
- Vérifiez que l'option de RETARD de démarrage n'a pas été sélectionnée.
- Assurez-vous que la porte est fermée et verrouillée.

LE LAVE-VAISSELLE NE SE VIDE PAS CORRECTEMENT

- Si l'appareil est raccordé à un broyeur à déchets, assurez-vous que le broyeur est vide.
- Si l'appareil est raccordé à un nouveau broyeur à déchets, vérifiez que le bouchon à défoncer situé à l'intérieur de l'entrée du broyeur a bien été enlevé.
- Vérifiez que le tuyau de vidange n'est pas pincé.
- Assurez-vous que le cycle est terminé, que ce n'est pas une simple pause.

LE CYCLE PREND TROP DE TEMPS

- Vérifiez que le cycle n'est pas dans une phase de chauffage de l'eau.
- Vérifiez que l'option de retard de démarrage n'a pas été sélectionnée.
- Vérifiez que l'option de désinfection n'a pas été sélectionnée.

LE LAVE-VAISSELLE NE SE REMPLIT PAS

- Vérifiez que l'alimentation en eau est ouverte.
- Ajoutez 1/2 tasse d'eau dans le fond de l'appareil et démarrez-le à nouveau.

LE LAVE-VAISSELLE A UNE ODEUR

- La vaisselle sale laissée dans le lave-vaisselle trop longtemps peut développer une odeur. Utilisez le cycle de rinçage.
- Lors de la première installation il y a une odeur de « neuf ». Ceci est normal.
- Vérifiez que l'appareil se vidange correctement. Voir Le lave-vaisselle ne se vide pas correctement.)

POUR ENLEVER LES TACHES ET LES FILMS

L'eau dure peut laisser un dépôt de calcaire à l'intérieur du lave-vaisselle. La vaisselle et les verres peuvent aussi avoir des taches ou un film pour de nombreuses autres raisons. (Voir Les verres et les couverts comportent des taches ou sont recouverts d'un film blanchâtre)

Pour enlever les dépôts, les taches et les films, faites un cycle en suivant les instructions ci-dessous :

- 1** Chargez la vaisselle et les verres propres de la manière normale. Ne mettez pas de couverts ou d'ustensiles en métal.
- 2** N'ajoutez pas de détergent.
- 3** Sélectionnez le cycle de LAVAGE NORMAL. Appuyez sur le bouton MARCHE/ANNULATION et fermez la porte.
- 4** Laissez le lave-vaisselle tourner jusqu'au début du deuxième remplissage. Ouvrez la porte et versez 2 tasses de vinaigre blanc dans le fond du lave-vaisselle.
- 5** Fermez et verrouillez la porte. Laissez le cycle se terminer.

REMARQUE

Si ces conditions persistent, vous devrez envisager l'adjonction d'un adoucisseur d'eau pour la maison.

Votre appareil est couvert par une garantie limitée d'un an. Pendant un an à partir de la date d'achat d'origine, Electrolux réparera ou remplacera les pièces de cet appareil qui présentent un défaut de matériau ou de fabrication, si cet appareil est installé, utilisé et entretenu selon les instructions fournies. La cuve et le revêtement de porte en acier inoxydable de votre appareil sont couverts par une garantie limitée à vie. Pendant la vie de l'appareil, Electrolux remplacera une cuve ou un revêtement de porte en acier inoxydable qui manque de contenir de l'eau à cause d'un défaut de matériau ou de fabrication si cet appareil est installé, utilisé et entretenu selon les instructions fournies. De plus, les paniers de lave-vaisselle et le module de commande électronique de votre appareil sont couverts par une garantie limitée de deux à cinq ans. Durant la période s'étendant de la deuxième à la cinquième année à partir de la date d'achat d'origine, Electrolux fournira un panier de lave-vaisselle ou un module de commande électronique pour votre appareil qui présente un défaut de matériau ou de fabrication, si cet appareil est installé, utilisé et entretenu selon les instructions fournies.

Exclusions

Cette garantie ne couvre pas ce qui suit :

1. Les produits dont le numéro de série d'origine a été enlevé, modifié ou n'est pas facilement lisible.
2. Les appareils qui ont changé de propriétaire ou qui se trouvent à l'extérieur des États-Unis ou du Canada.
3. La présence de rouille à l'intérieur ou à l'extérieur de l'appareil.
4. Les produits vendus « tels quels » ne sont pas couverts par cette garantie.
5. La perte d'aliments causée par une panne du réfrigérateur ou du congélateur.
6. Les produits utilisés dans des établissements commerciaux.
7. Les appels de service qui ne concernent pas un mauvais fonctionnement, un défaut de fabrication ou un vice de matériau, ou pour les appareils qui ne font pas l'objet d'un usage domestique ou qui ne sont pas utilisés conformément aux instructions fournies.
8. Les appels de service pour vérifier l'installation de votre appareil ou pour obtenir des instructions concernant l'utilisation de votre appareil.
9. Les frais engagés pour rendre l'appareil accessible pour une réparation, par exemple l'enlèvement des garnitures, des armoires, des étagères, etc., qui ne faisaient pas partie de l'appareil lorsqu'il a quitté l'usine.
10. Les appels de service qui concernent la réparation ou le remplacement des ampoules, des filtres à air, des filtres à eau ou d'autres articles consommables, ou des boutons, des poignées ou d'autres pièces esthétiques.
11. Les coûts de main-d'œuvre ou de service à domicile pendant les périodes supplémentaires de garantie limitée au delà de la première année suivant la date d'achat originale.
12. Les coûts de ramassage et de livraison; votre appareil est conçu pour être réparé à la maison.
13. Les frais supplémentaires comprenant, sans s'y limiter, les appels de service en dehors des heures normales de bureau, en fin de semaine ou un jour férié, les droits de péage, les frais de convoyage ou les frais de déplacement pour les appels de service dans des endroits isolés, notamment l'État de l'Alaska.
14. Les dommages causés au fini de l'appareil ou à la maison pendant le transport ou l'installation, ce qui comprend, sans s'y limiter, les planchers, les armoires, les murs, etc.
15. Les dommages causés par : des réparations faites par des techniciens non autorisés; l'utilisation de pièces autres que les pièces Electrolux d'origine ou l'utilisation de pièces qui n'ont pas été obtenues par l'entremise d'un réparateur autorisé; ou les causes externes comme l'abus, la mauvaise utilisation, l'alimentation électrique inadéquate, les accidents, les feux ou les catastrophes naturelles.

AVERTISSEMENT CONCERNANT LES GARANTIES IMPLICITES; LIMITATIONS DES RECOURS

L'UNIQUE RECOURS DU CLIENT EN VERTU DE CETTE GARANTIE LIMITÉE EST LA RÉPARATION OU LE REMPLACEMENT DU PRODUIT COMME DÉCRIT PRÉCÉDEMMENT. **LES RÉCLAMATIONS BASÉES SUR DES GARANTIES IMPLICITES, Y COMPRIS LES GARANTIES IMPLICITES DE QUALITÉ MARCHANDE OU D'ADAPTATION À UN USAGE PARTICULIER, SONT LIMITÉES À UN AN OU À LA PÉRIODE LA PLUS COURTE PERMISE PAR LA LOI, QUI NE DOIT PAS ÊTRE INFÉRIEURE À UN AN.** ELECTROLUX NE POURRA ÊTRE TENUE RESPONSABLE DES DOMMAGES ACCESSOIRES OU INDIRECTS NI DES DOMMAGES MATÉRIELS ET DES DÉPENSES IMPRÉVUES RÉSULTANT D'UNE VIOLATION DE CETTE GARANTIE ÉCRITE OU DE TOUTE AUTRE GARANTIE IMPLICITE. CERTAINS ÉTATS ET CERTAINES PROVINCES NE PERMETTENT AUCUNE RESTRICTION OU EXEMPTION SUR LES DOMMAGES ACCESSOIRES OU INDIRECTS NI RESTRICTION SUR LES GARANTIES IMPLICITES. DANS CE CAS, CES RESTRICTIONS OU EXEMPTIONS POURRAIENT NE PAS ÊTRE APPLICABLES. CETTE GARANTIE ÉCRITE VOUS DONNE DES DROITS LÉGAUX PRÉCIS. SELON L'ÉTAT OU LA PROVINCE, IL SE PEUT QUE VOUS DISPOSIEZ D'AUTRES DROITS.

Si vous devez faire appel au service de réparation

Conservez votre reçu, votre bon de livraison ou toute autre preuve valide de paiement permettant d'établir la période de la garantie au cas où vous auriez besoin de faire appel au service de réparation. Si une réparation est effectuée, il est dans votre intérêt d'obtenir et de conserver tous les reçus. Le service auquel vous avez droit en vertu de cette garantie doit être obtenu en communiquant avec Electrolux aux adresses ou aux numéros de téléphone ci-dessous.

Cette garantie n'est valide qu'aux États-Unis, à Puerto Rico et au Canada. Aux États-Unis et à Puerto Rico, votre appareil est garanti par Electrolux Major Appliances North America, une division d'Electrolux Home Products, Inc. Au Canada, votre appareil est garanti par Electrolux Canada Corp. Personne n'est autorisé à modifier les obligations contenues dans cette garantie ni à y apporter des ajouts. Les obligations de cette garantie concernant la réparation et les pièces doivent être remplies par Electrolux ou par une compagnie de réparation autorisée. Les caractéristiques et les spécifications décrites ou illustrées peuvent être modifiées sans préavis.

EE. UU.

1-877-435-3287

Electrolux Major Appliances North America
10200 David Taylor Drive
Charlotte, NC 28262

Canada

1-800-265-8352

Electrolux Canada Corp.
5855 Terry Fox Way
Mississauga, Ontario, Canada L5V 3E4

www.electrolux-store.com

