

# Dishwasher

## EIDW5705P S



### Largest Usable Capacity

Largest usable capacity<sup>1</sup> in its class, so even your dinner party dishware fits.



### Luxury-Quiet™ Dishwasher<sup>2</sup>

So quiet you can run it whenever you want and no one will notice.



### ENERGY STAR®

ENERGY STAR®-Qualified means at least 41% less energy is used<sup>3</sup>.



### IQ-Touch™ Controls

For those who like to have their options always visible on the IQ-Touch™ control panel.

## 24" BUILT-IN DISHWASHER

### Features

Stainless Steel Interior	Yes
Signature Soft-Arc Door and Handle Design	Yes
Luxury-Hold™ Door	Yes
IQ-Touch™ Electronic Controls	Yes
Fully Integrated Control Panel	Yes
Tall-Tub Design	Yes
SmartSoil™ Sensor	Yes
Luxury-Quiet™ Sound Package	Yes
Sound Level	50 dB
Wash Levels	5
AquaLux™ Wash System	Yes
Luxury-Dry™ System	Yes
Adjustable Rinse Aid Dispenser with Indicator	Yes
ENERGY STAR®	Yes
Reclaimable	

### Cycles

Auto Wash	Yes
Heavy	Yes
Normal	Yes
Quick	Yes
Eco Wash	Yes
Rinse Only	Yes

### Options

Hi-Temp. Wash	3
Air Dry	Yes
NSF® Certified Sanitize Option	Yes
Delay Start (Hours)	1-24

### Rack System

Nylon Rack System	Sure-2-Fit®
Luxury-Glide® Nylon Upper Rack –	
Adjustable Height	Yes
Cup Shelf/Stemware Holder	2/Yes
Fold-Down Tines	2 Rows
Rack Handle	Yes
Luxury-Glide® Nylon Lower Rack –	
Fold-Down Tines	2 Rows
Silverware Basket	3-Piece Split
Rack Handle	Yes

### Specifications

Colour –	
Stainless Steel	S
Product Dimensions –	
Height (Adjustable*)	33-7/8" – 34-7/8"
Width	23-3/4"
Depth (to Centre of Arc) (with 90° Door Open)	24-5/8" 49-7/8"
Power Supply Location	Right Bottom Front
Water Inlet Location	Left Bottom Front
Water Usage (Gallons) – Normal Cycle	4.9 – 8.5
Water Pressure (PSI)	20 – 120
Integral Air Gap on Supply	Not Included
Voltage Rating	120V/60Hz/15A
Connected Load (kW Rating) @120 Volts†	1.44
Amps@120 Volts	9
Shipping Weight (Approx.)	91 Lbs.

\*Height only adjustable to 34-11/16" max. when installed in 35" max. standard cabinetry cutout to allow for 5/16" min. clearance.

†For use on adequately wired 120V, dedicated circuit having 2-wire service with a separate ground wire. Appliance must be grounded for safe operation.

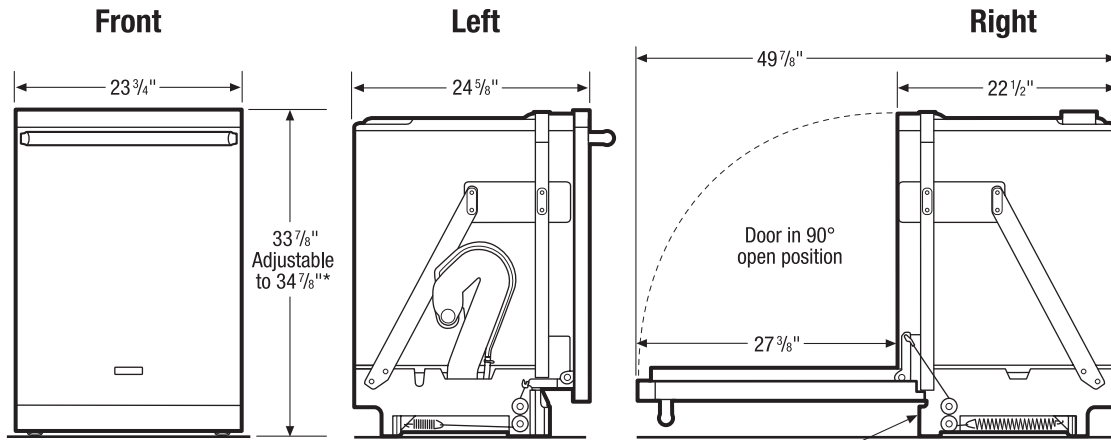
NOTE: Always consult local and national electric and gas codes. Refer to Product Installation Guide for detailed installation instructions on the web at [electroluxappliances.ca](http://electroluxappliances.ca).

Specifications subject to change.

<sup>1</sup>As measured by adjusted rack space.

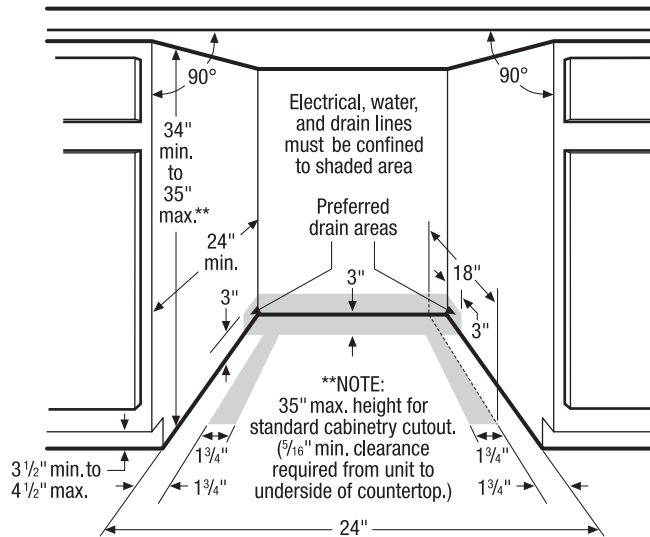
<sup>2</sup>Based on published MSRP and specifications. Available on select models.

<sup>3</sup>Than the federal minimum standard for energy consumption.



\*Height only adjustable to 34<sup>11/16</sup>" max. when installed in 35" max. standard cabinetry cutout

Water inlet location (left bottom front)  
Power supply location (right bottom front)



## Built-In Dishwasher Specifications

- Product Weight – 75 Lbs.
- Voltage Rating – 120V/60Hz/15 Amps
- Connected Load (kW Rating) @120 Volts = 1.44kW  
(For use on adequately wired 120V, dedicated circuit having 2-wire service with a separate ground wire. Appliance must be grounded for safe operation.)
- Amps @120V = 9 Amps
- Always consult local and national electric & plumbing codes.
- Water Pressure – Hot water line to dishwasher must provide between 20 and 120 pounds per square inch (psi).
- Make sure location has right drain, water and electrical outlets to make connections.
- Keep back free of drain, water & electrical supply.
- Electrical and water supplies should enter cabinet opening on floor, or through back or side walls, as shown in shaded areas.

- Connections preferably located toward left side of dishwasher. Do not cross drain, water or electrical lines in front of motor, blower or frame.
- Minimum clearance of 5/16" required from unit to underside of countertop.
- Leveling legs supplied to adjust height. (Note: Height only adjustable to 34-11/16" max. when installed in 35" max. standard cabinetry cutout to allow for 5/16" min. clearance.)
- When installing adjacent to wall, cabinet or other obstruction that extends beyond front edge of unit, allow 2" minimum clearance between opened door and obstruction.
- When installing at end of cabinet line, sides must be fully enclosed.
- Do not install unit under a cooktop, damage may occur.

**Note:** For planning purposes only. Refer to Product Installation Guide on the web at [electroluxappliances.ca](http://electroluxappliances.ca) for detailed instructions.