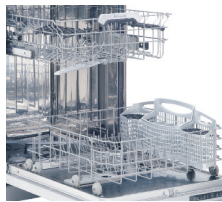


Dishwashers

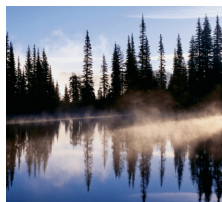
EIDW5905JS

Featuring IQ-Touch™ Electronic Controls



Eco-Friendly Stainless Steel Interior

Introducing the first 100% reclaimable stainless steel dishwasher tub. The tub can be repurposed when its useful life as a dishwasher is complete—rather than sitting in a landfill.



Luxury-Quiet™ Dishwasher¹

So quiet you can run it whenever you want and no one will notice.



ENERGY STAR®

ENERGY STAR®-Qualified means at least 41% less energy is used.²



IQ-Touch™ Controls

For those who like to have their options always visible on the IQ-Touch™ control panel.

24" BUILT-IN DISHWASHERS

Features

Stainless Steel Interior	Yes
Signature Soft-Arc Door and Handle Design	Yes
Luxury-Hold™ Door	Yes
IQ-Touch™ Electronic Controls	Yes
Fully Integrated Control Panel	Yes
Tall Tub Design	Yes
Smart Soil™ Sensor	Yes
Luxury-Quiet™ Sound Package	Yes
Sound Level	50dB
Wash Levels	5
AquaLux™ Wash System	Yes
Luxury-Dry™ System	Yes
Adjustable Rinse Aid Dispenser with Indicator	Yes
ENERGY STAR®	Yes
Reclaimable	Yes

Cycles

Auto Wash	Yes
Heavy	Yes
Normal	Yes
Favourite	
Quick	Yes
Rinse Only	Yes

Options

Hi-Temp. Wash	Yes
Air Dry	Yes
NSF® Certified Sanitize Option	Yes
Delay Start (Hours)	2, 4, 6

Rack System

Nylon Rack System	Yes
Luxury-Glide® Nylon Upper Rack –	
Adjustable Height	2-Way
Cup Shelf/Stemware Holder	2/Yes
Fold-Down Tines	2 Rows
Rack Handle	Yes
Luxury-Glide® Nylon Lower Rack –	
Fold-Down Tines	2 Rows
Silverware Basket	3-Piece Split

Specifications

Product Dimensions –	
Height (Adjustable*)	33-7/8" – 34-7/8**
Width	23-3/4"
Depth (to Center of Arc) (with 90° Door Open)	24-5/8" 49-7/8"
Power Supply Location	Right Bottom Front
Water Inlet Location	Left Bottom Front
Water Usage (Gallons) – Normal Cycle	4.9 – 8.5
Water Pressure (PSI)	15 – 120
Integral Air Gap on Supply	Yes
Voltage Rating	120V/60Hz/15A
Connected Load (kW Rating) @ 120 Volts†	1.44
Amps @ 120 Volts	9
Shipping Weight (Approx.)	91 Lbs.

*Height only adjustable to 34-11/16" max. when installed in 35" max. standard cabinetry cutout to allow for 5/16" min. clearance.

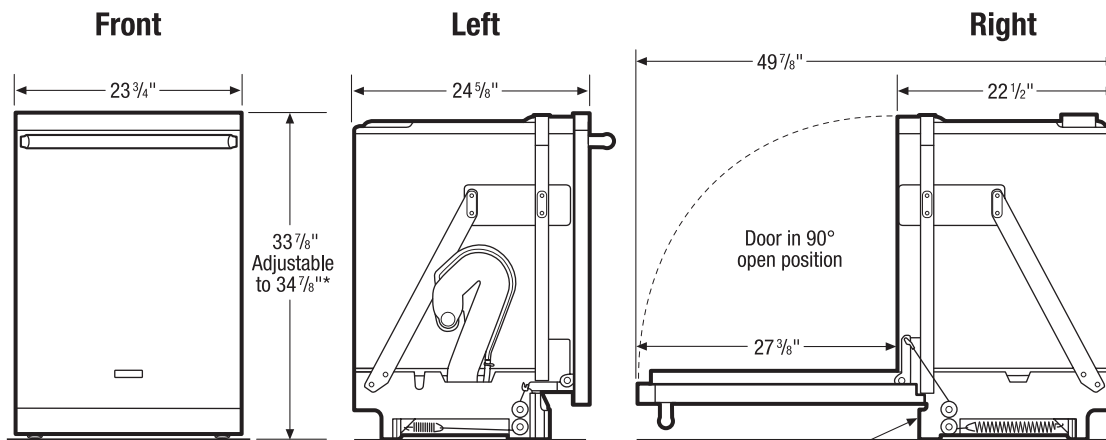
†For use on adequately wired 120V, dedicated circuit having 2-wire service with a separate ground wire. Appliance must be grounded for safe operation.

NOTE: Always consult local and national electric & plumbing codes. Meets requirements of ASSE 1006. Refer to Product Installation Guide for detailed installation instructions on the web at www.electroluxappliances.ca.

Specifications subject to change.

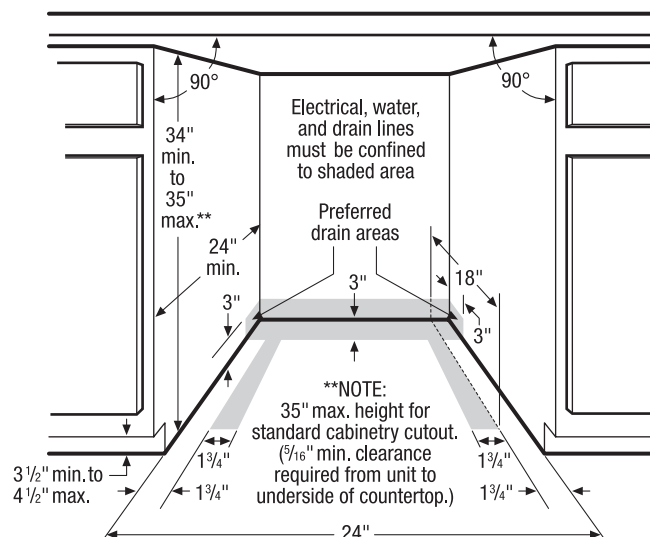
¹Based on published MSRP and specifications. Available on select models.

²Than the federal minimum standard for energy consumption.



*Height only adjustable to 34¹¹/₁₆" max. when installed in 35" max. standard cabinetry cutout

Water inlet location (left bottom front)
Power supply location (right bottom front)



Built-In Dishwasher Specifications

- Product Weight – 75 Lbs.
- Voltage Rating – 120V/60Hz/ 15 Amps
- Connected Load (kW Rating) @ 120 Volts = 1.44kW
(For use on adequately wired 120V, dedicated circuit having 2-wire service with a separate ground wire. Appliance must be grounded for safe operation.)
- Amps @ 120V = 9 Amps
- Always consult local and national electric & plumbing codes. Meets requirements of ASSE 1006.
- Water Pressure – Hot water line to dishwasher must provide between 15 and 120 pounds per square inch (psi).
- Make sure location has right drain, water and electrical outlets to make connections.
- Keep back free of drain, water & electrical supply.
- Electrical and water supplies should enter cabinet opening on floor, or through back or side walls, as shown in shaded areas.

- Connections preferably located toward left side of dishwasher. Do not cross drain, water or electrical lines in front of motor, blower or frame.
- Minimum clearance of 5/16" required from unit to underside of countertop.
- Leveling legs supplied to adjust height. (Note: Height only adjustable to 34-11/16" max. when installed in 35" max. standard cabinetry cutout to allow for 5/16" min. clearance.)
- When installing adjacent to wall, cabinet or other obstruction that extends beyond front edge of unit, allow 2" minimum clearance between opened door and obstruction.
- When installing at end of cabinet line, sides must be fully enclosed.
- Do not install unit under a cooktop, damage may occur.

Note: For planning purposes only. Refer to Product Installation Guide on the web at electroluxappliances.ca for detailed instructions.

Electrolux Major Appliances, N.A.

CANADA • 5855 Terry Fox Way • Mississauga, ON L5V 3E4 • 1-800-265-8352 • electroluxappliances.ca

EIDW5905JS 03/11

© 2011 Electrolux Major Appliances, NA

Meets requirements of ASSE 1006



NSF Protocol for Sanitization and Cleaning Performance of Rinsed Spray-Type Dishwashers (1997)

High standards of quality at Electrolux Major Appliances mean we are constantly working to improve our products. We reserve the right to change specifications or discontinue models without notice.

Printed in Canada