

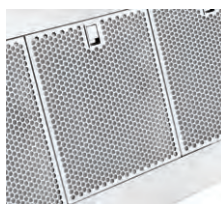
Stainless Chimney Wall-Mount Hood

RH30WC55G S



High-Quality Premium Stainless Steel

Classic ventilation hood is constructed of high-quality stainless steel, making it durable yet attractive and easy to clean.



600 CFMs / 4-Speed Fan

Supplies a maximum of 600 CFM of air movement using a variable 4-speed dual centrifugal fan. Removes smoke, vapors and smells effectively and more quietly than typical exhaust fans.



Dual Halogen Lights

Dual halogen lights provide ample illumination of the cooking surface below with lights located at two different levels.



Electronic Controls with LCD Display

Easy-to-operate electronic controls provide convenient access to all fan, clock and timer settings.

30" STAINLESS CHIMNEY WALL-MOUNT HOOD

Features

| | |
|--------------------------------------|------------------|
| Nominal Width | 30" |
| Installation Type | Wall Mount |
| Air Discharge | Vertical |
| Air Delivery (CFM) | 600 |
| Blower Type | Dual Centrifugal |
| Electronic Controls with LCD Display | Yes |
| Fan Speeds | 4 |
| Sound Level (dBA) | 72.4 |
| Dual Halogen Lights | Yes |
| Washable Stainless Steel Filters | Yes |
| Exhaust Duct | Convertible* |
| Duct Required | 8" Round |

Accessories

| | |
|--------------------------------|----------|
| Duct-Free Kit – RHDFW60GS | Optional |
| 52" Flue Extension – RHXWC55GS | Optional |

Specifications

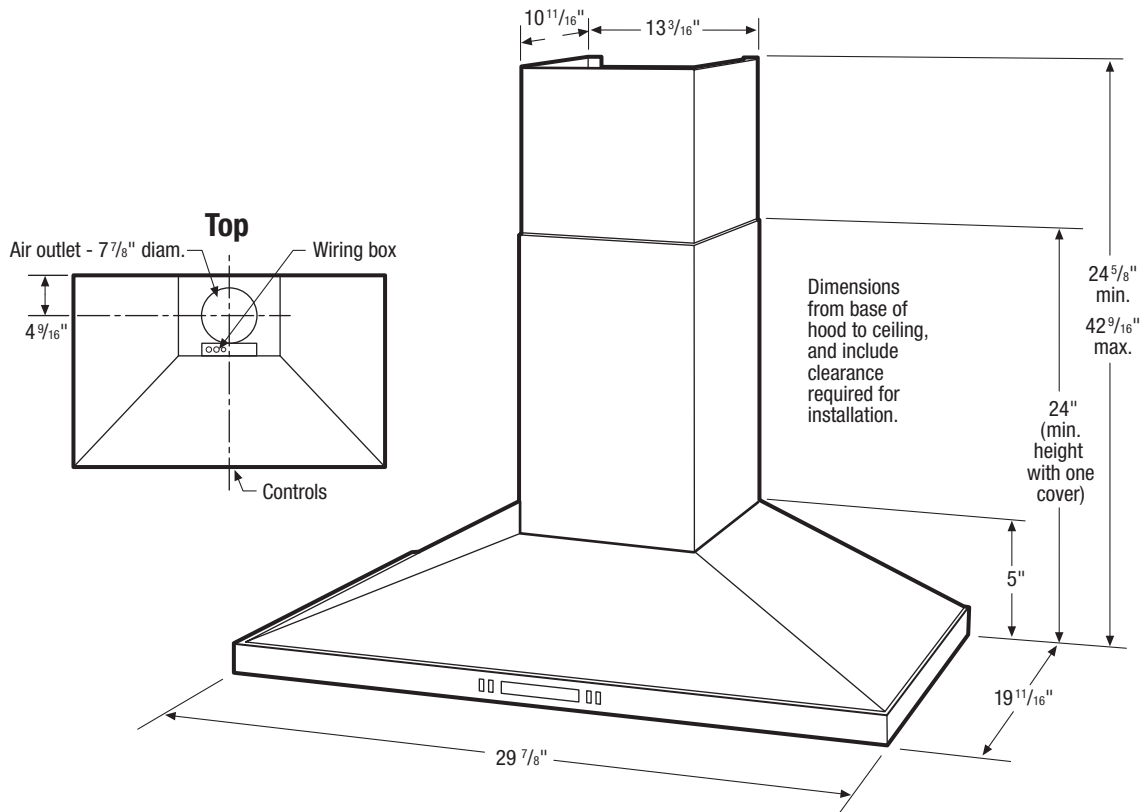
| | |
|---|---|
| Overall Exterior Dimensions – | |
| Width | 29-7/8" |
| Height (With One Cover) (With Flue Extension) | 24" min. 24-5/8" min. 42-9/16" max. |
| Depth | 19-11/16" |
| Voltage Rating | 120V/60Hz/15A |
| Connected Load (kW Rating) @ 120 Volts [†] | 0.475 |
| Product Weight | 36 Lbs. |
| Shipping Weight | 39 Lbs. |
| Sones Rating | 9.0 |

* Ventilation is convertible to be either ducted outside, or recirculated inside requiring no ducting. (Recirculated option requires use of optional Duct-Free Kit.)

[†] For use on adequately wired 120V, dedicated circuit having 2-wire service with a separate ground wire. Appliance must be grounded for safe operation.

NOTE: Always consult local and/or national electric codes. Check local building codes for installation requirements, as they may vary per locale. Refer to Product Installation Guide for detailed installation instructions on the web at www.electroluxappliances.com.

Specifications subject to change.



30" Stainless Chimney Wall-Mount Hood Specifications

- Product Weight – 36 Lbs.
- Wall-Mount Installation
- Ventilation is convertible to be either ducted outside, or recirculated inside requiring no ducting.
- Sones Rating – 9.0
- Voltage Rating – 120V/60 Hz/15 Amps
- Connected Load (kW Rating) @ 120 Volts = 0.475kW (For use on adequately wired 120V, dedicated circuit having 2-wire service with a separate ground wire. Appliance must be grounded for safe operation.)
- Amps @ 120 Volts = 3.84 Amps
- Always consult local and/or national electric codes. Check local building codes for installation requirements, as they may vary per locale.
- Minimum installation height allowed from bottom of hood to cooking surface is 24" - 30" for electric and 30" for gas. (*NOT more than 36" recommended.*)
- To prepare mounting surface, adequate structure and support must be provided, capable of supporting 100 lbs.

Ducted Option Specifications

- For outside ventilation only.
- Exhaust Duct Required – 8" round
- For most efficient airflow exhaust, use a straight run or as few elbows as possible.
- Use metallic flex ducting only to connect rigid duct directly to transitions (*if allowed by code*).
- Thermal breaks such as short section of nonmetallic duct, should be used in areas of extreme cold.
- Cold weather installations should have additional backdraft damper installed.
- Refer to web for detailed duct preparation installation instructions.

Ductless (Recirculated) Option Specifications

- If ducting to outside is not an option, vent hood can be converted to ductless with use of optional Duct-Free Kit (RHDFW60GS).
- Refer to web for detailed convertible ventilation installation instructions.

Note: For planning purposes only. Refer to Product Installation Guide on the web at electroluxappliances.com for detailed instructions.

Optional Accessories

- Duct-Free Kit – (RHDFW60GS).
- 52" Flue Extension – (RHXWC55GS).