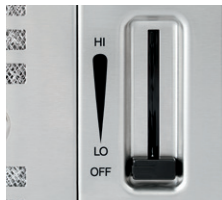


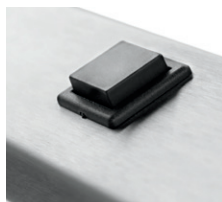
# Downdraft Vent

## EI36DD10KS



### Infinite-Speed Blower Control

The ultraquiet blower allows you to select the precise airflow needed.



### Push-Button Auto Raise/Lower

When activated, the downdraft rises 10" to capture even the most stubborn cooking odours. Can be vented through wall, roof or floor.

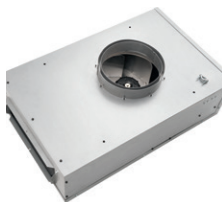
### Stainless Steel Filters

Dishwasher-safe for easy cleaning.



### Blower Motor System Options\*

Choose the style of ventilation needed for your requirements – from a 1,600 CFM Remote Blower or 600 CFM Integrated Blower option.



### 36" DOWNDRAFT VENT\*

EI36DD10KS

#### Features

Nominal Width	36"
Installation Type	In-Cabinet
Colour –	
Stainless Steel	S
Controls	Infinite-Speed
Intake Area	10"
Fan Speeds	Infinite
Dishwasher-Safe Stainless Steel Filters	Yes

#### Specifications

Motor Power Cord Location	Bottom Right
Shipping Weight	55 Lbs.

### WITH REMOTE BLOWER MOTOR KIT

PN # EI16DDPRKS

#### Features

Air Discharge	Down/Left/Right
Air Delivery (CFM)	1600
Blower Type	External
Sound Level (dBA)	**
Exhaust Duct	External
Duct Required	3-1/4" x 14"

#### Accessories

Outdoor Kit (Remote Blower) – PN # WK-SP360	Optional
---	----------

#### Specifications

Product Dimensions –	
Height (Including 10" Rise)	35-13/16"
Width	36"
Depth	5-13/16"
Voltage Rating	120V/60 Hz/15A
Connected Load (kW Rating) @ 120 Volts <sup>‡</sup>	0.47
Amps @ 120 Volts	3.0
Sones Rating	3.9
Shipping Weight	44 Lbs.

### WITH INTEGRATED BLOWER MOTOR KIT

PN # EI06DDPIKS

#### Features

Air Discharge	Down/Left/Right
Air Delivery (CFM)	600
Blower Type	External
Sound Level (dBA)	59.7
Exhaust Duct	External
Duct Required	3-1/4" x 10"

#### Specifications

Product Dimensions –	
Height (Including 10" Rise)	35-13/16"
Width	36"
Depth	11-11/16"
Voltage Rating	120V/60 Hz/15A
Connected Load (kW Rating) @ 120 Volts <sup>‡</sup>	0.41
Amps @ 120 Volts	3.4
Sones Rating	9.0
Shipping Weight	24 Lbs.

<sup>‡</sup> For use on adequately wired 120V, dedicated circuit having 2-wire service with a separate ground wire. Appliance must be grounded for safe operation.

\* Requires installation with one Blower Motor System Kit – 1600 CFM Remote option or 600 CFM Integrated option. Blower Motor System Kit ordered separately and ships separately.

\*\* Actual sound measurement varies with each installation.

NOTE: Always consult local and national electric codes. Check local building codes for installation requirements, as they may vary per locale. Refer to Product Installation Guide for detailed installation instructions on the web at [electroluxappliances.ca](http://electroluxappliances.ca).

Specifications subject to change.

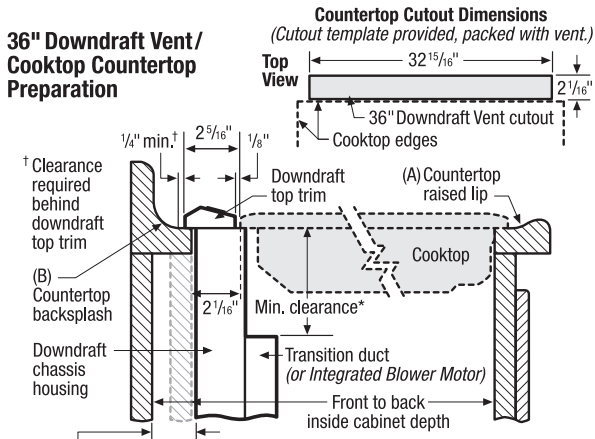
## Typical 36" Downdraft Vent / Cooktop Installation

Designed for use with cooktop in conventional, island or peninsula installation.

### Downdraft Vent requires installation with Blower Motor System Kit.

**Blower Motor System Kit Options:** Downdraft Vent requires installation with Blower Motor System Kit – 1600 CFM Remote option or 600 CFM Integrated option (kit ordered separately). Vent ships with transition duct pre-attached to chassis housing for Remote Blower Motor installation and is removable for Integrated Blower Motor installation. For Blower Motor System planning information, refer to specific kit's specifications page; for complete installation details and specifications, refer to specific Product Installation Guides on web.

### 36" Downdraft Vent / Cooktop Countertop Preparation



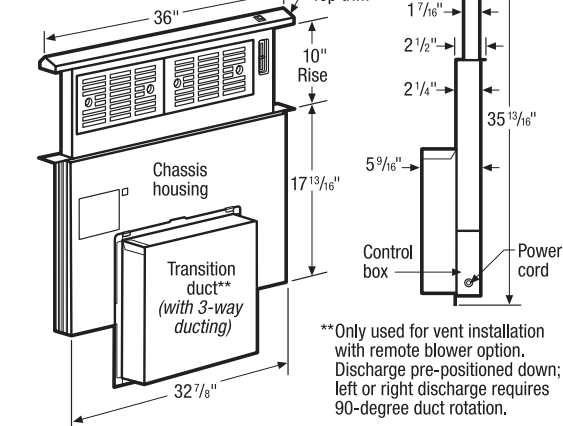
Maximum 4 1/2" gap allowed between inside cabinet, back and chassis BEFORE downdraft stabilizing brackets will require wood support installation for mounting

\*For minimum clearance, refer to specific Blower Motor Kit specifications.

**Cooktop Installation Notes:** To ensure proper installation, refer to model-specific cooktop installation guide on web for dimensions, countertop cutout dimensions and cabinet requirements; oversized cabinets recommended for ease of installation. Due to varying cooktop depths, tight fit is possible between cooktop and vent, depending on overall depth of countertop.

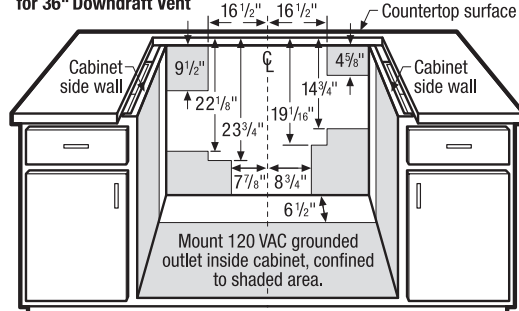
**Countertop Preparation Notes:** Pre-formed countertops with (A) raised lip and/or (B) backsplash may not allow enough flat area for proper installation. Minimum 2-5/16" of flat countertop required behind cooktop and 2-1/16" necessary between back edge of cooktop and inside of cabinet back. To ensure adequate clearance for air vent when raised/lowered, 1/8" gap needed between back edge of cooktop and front of downdraft top trim.

### 36" Downdraft Vent Dimensions with Transition Duct (for Remote Blower Motor installation option)



\*\*Only used for vent installation with remote blower option. Discharge pre-positioned down; left or right discharge requires 90-degree duct rotation.

### Electrical Supply Outlet Installation for 36" Downdraft Vent



**Electrical Installation Notes:** All vertical dimensions relative to top surface of countertop; all horizontal dimensions relative to cutout in countertop. Locate grounded electrical outlet for 28"-long power cord within reachable distance. When installing vent in 36"-wide cabinet, outlet cannot be located on back wall of cabinet, but can be wall-mounted with access hole in cabinet. Ensure that access to outlet will NOT be obstructed by ducting after installation.

## Downdraft Vent Specifications

- Downdraft Vent requires installation with Blower Motor System Kit – 1600 CFM Remote option or 600 CFM Integrated option (kit ordered separately). Vent ships with transition duct pre-attached to chassis housing for Remote Blower Motor installation and is removable for Integrated Blower Motor installation. For Blower Motor System planning information, refer to specific kit's specifications page; for complete installation details and specifications, refer to specific Product Installation Guides on web.
- Voltage Rating – 120V/60Hz/15 Amps
- Connected Load (kW Rating) and Amps @ 120 Volts – Refer to specific Blower Motor System Kit specification page.
- Do not use same circuit as cooktop.
- Always consult local and national electric codes. Check local building codes for installation requirements, as they may vary per locale.
- Locate grounded electrical outlet for 28"-long power cord within reachable distance. When installing vent in 36"-wide cabinet, outlet cannot be located on back wall of cabinet, but can be wall-mounted with access hole in cabinet.
- Downdraft Vent designed for installation with cooktop in island, peninsula or conventional installation. (Cutout template provided, packed with vent.)
- To ensure proper installation with cooktop, refer to model-specific cooktop installation guide on web for dimensions, countertop cutout dimensions and cabinet requirements; oversized cabinets recommended for ease of installation. Due to varying cooktop depths, tight fit is possible between cooktop and vent, depending on overall depth of countertop.
- Pre-formed countertops with raised lip and/or backsplash may not allow enough flat area for proper installation. Minimum 2-5/16" of flat countertop required behind cooktop and 2-1/16" necessary between back edge of cooktop and inside of cabinet back.

- To ensure adequate clearance for air vent when raised/lowered, 1/8" gap needed between back edge of cooktop and front of downdraft top trim.
- Vent exhaust air outside only.
- Exhaust Duct Required – Refer to specific Blower Motor System Kit specifications page.
- Three blower discharge direction options available. Pre-positioned with discharge facing down; left or right discharge requires 90-degree transition duct rotation. Transition duct can also be mounted to back of chassis housing with minimum 3-3/4" clearance to back of cabinet wall.
- Consider ductwork location before cutting hole in cabinet.
- For maximum efficiency, use shortest and straightest duct run possible. System operates most efficiently with up to 60 equivalent feet of duct; Downdraft Vent operates properly with ductwork up to 100 equivalent feet. (Refer to Calculating Duct Length Table in Product Installation Guide.)
- Do not use flexible duct. Round duct instead of rectangular duct recommended, especially when elbows are required.
- Thermal breaks such as short section of nonmetallic duct, should be used in areas of extreme cold. Cold weather installations should have additional backdraft damper installed.
- High level of airflow may affect gas flame on some gas cooktop models.

### Blower Motor System Options

- 1600 CFM Remote Blower Motor System Kit – (PN# EI16DDPRKS).
- 600 CFM Integrated Blower Motor System Kit – (PN# EI06DDPIKS).

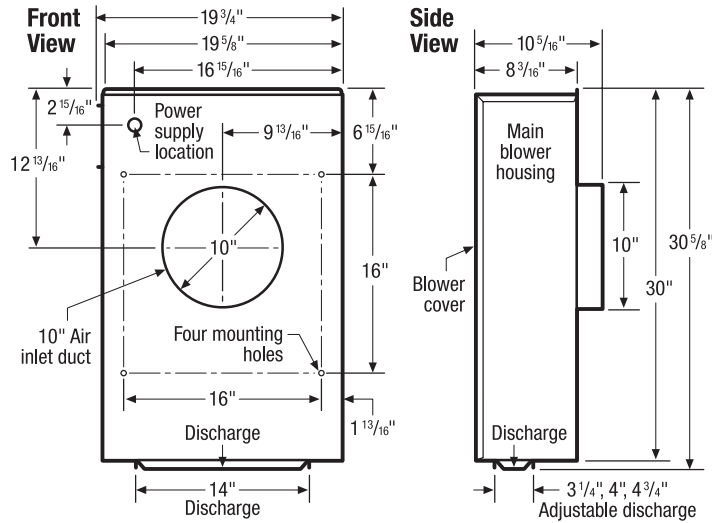
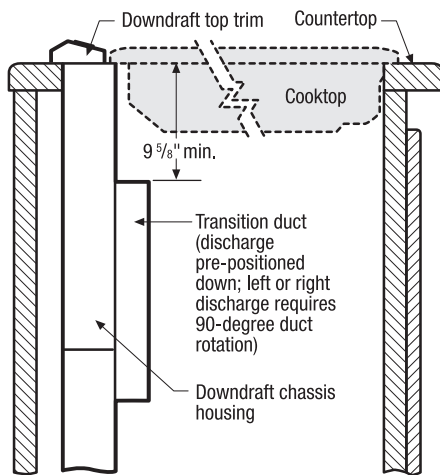
**Note:** For planning purposes only. Refer to Product Installation Guide on the web at [electroluxappliances.ca](http://electroluxappliances.ca) for detailed instructions.

## Remote Blower Motor System (PN# E116DDPRKS) Installation

For use with Downdraft Vent Models (36") E136DD10KS and (30") E130DD10KS

**Installation Requirements:** Installation of Remote Blower Motor (PN# E116DDPRKS) requires use of transition duct, pre-attached to Downdraft chassis housing. For complete blower motor installation details, refer to Product Installation Guide on web. For 36" or 30" Downdraft Vent installation planning information, refer to model-specific Downdraft Vent product page.

Possible installation locations are: floor joists, ceiling joists, wall studs or exterior wall. Installation on exterior roof or exterior wall requires use of Outdoor Weather Kit (PN # WK-SP360) to cover and protect Remote Blower Motor housing from weather.



### Typical 36" & 30" Downdraft Vent / Cooktop Installation with Transition Duct

**Installation Requirements:** For 36" or 30" Downdraft Vent/Cooktop Countertop Preparation and Cutout Dimensions, refer to model-specific product page for planning information. For complete installation details, refer to model-specific Product Installation Guide on web.

## Remote Blower Motor System Kit Specifications

- 1600 CFM Remote Blower Motor System Kit is designed for use with Downdraft Vent models (36") E136DD10KS and (30") E130DD10KS. For complete 36" or 30" Downdraft Vent/Cooktop Countertop Preparation information and Downdraft Vent cutout dimensions, refer to model-specific Downdraft Vent product page. For complete installation details, refer to model-specific Product Installation Guide on web.
- Remote Blower Motor installation requires use of transition duct, pre-attached to Downdraft chassis housing. For complete blower motor installation details, refer to Product Installation Guide on web.
- Voltage Rating – 120V/60Hz/15 Amps
- Connected Load (kW Rating) = 0.47 kW (For use on adequately wired 120V, dedicated circuit having 2-wire service with a separate ground wire. Appliance must be grounded for safe operation.)
- Amps @ 120 Volts – 3.0 Amps
- Do not use same circuit as cooktop.
- Always consult local and national electric codes. Check local building codes for installation requirements, as they may vary per locale.
- Choose installation location where Remote Blower Motor is conveniently accessible – and electrical power can be provided to connect main blower housing with Downdraft Vent control box.
- Possible Remote Blower installation locations are: on floor joists, ceiling joists, wall studs or exterior wall.
- Installation on exterior roof or exterior wall requires use of Outdoor Weather Kit (PN # WK-SP360) to cover and protect Remote Blower Motor housing from weather.
- Main blower housing designed for mounting to joists or studs on 16" centres. Four lag bolts provided for attaching housing to joists, studs or other structural members; housing can NOT be directly attached to wallboard, ceiling panels or other non-structural materials.
- When mounting main blower housing between floor joists or wall studs, minimum 2x4 wood spacer required to space blower housing off floor or wall. Spacers should be properly secured to joists or studs and NOT to sub-floor or wall materials.
- Vent exhaust air outside only.
- Exhaust Duct Required – Galvanized or aluminum duct in 8" or 10" round; or 3-1/4" x 14", 4" x 14" or 4-3/4" x 14" rectangular; or combination of both. PVC should be used if installing under concrete slab.
- Three blower discharge direction options available. Transition duct ships with discharge pre-positioned down; left or right discharge requires 90-degree duct rotation.
- Consider ductwork location before cutting hole in cabinet.
- For maximum efficiency, use shortest and straightest duct run possible. System operates most efficiently with up to 60 equivalent feet of duct; Downdraft Vent operates properly with ductwork up to 100 equivalent feet. (Refer to Calculating Duct Length Table in Product Installation Guide.)
- Do not use flexible duct. Round duct instead of rectangular duct recommended, especially when elbows are required.
- Thermal breaks such as short section of nonmetallic duct, should be used in areas of extreme cold. Cold weather installations should have additional backdraft damper installed.
- High level of airflow may affect gas flame on some gas cooktop models.

### Optional Accessories

- Outdoor Weather Kit – (PN # WK-SP360).

**Note:** For planning purposes only. Refer to Product Installation Guide on the web at [electroluxappliances.ca](http://electroluxappliances.ca) for detailed instructions.

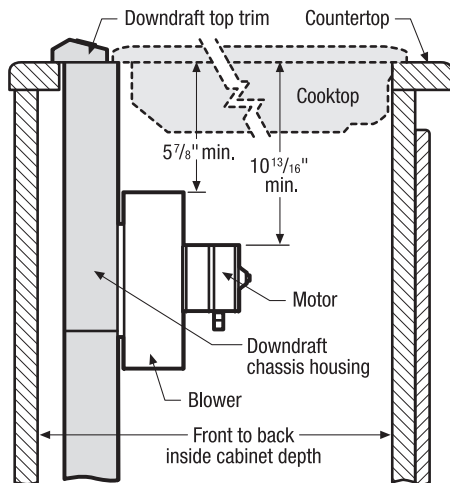
## Integrated Blower Motor System Kit (PN# EI06DDPIKS) Installation

For use with Downdraft Vent Models (36") EI36DD10KS and (30") EI30DD10KS

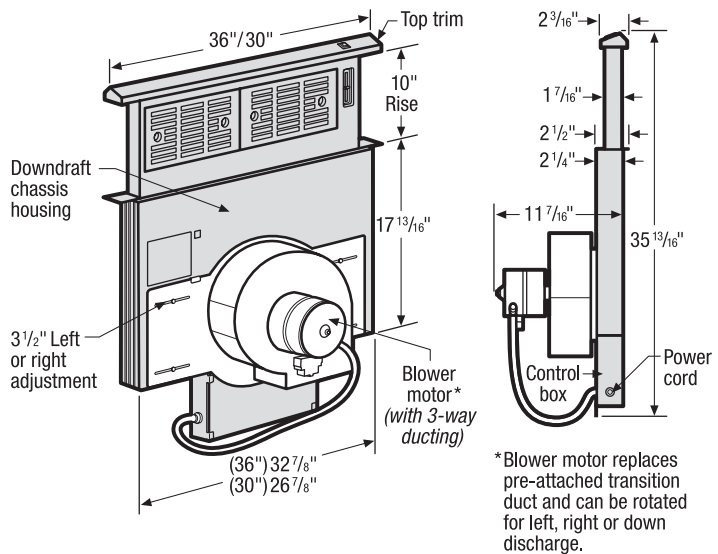
### Installation Requirements:

Installation of Integrated Blower Motor (PN# EI06DDPIKS) requires removal of transition duct, pre-attached to Downdraft chassis housing. For complete blower motor installation details, refer to Product Installation Guide on web.

## Typical 36" & 30" Downdraft Vent / Cooktop Installation with Integrated Blower Motor



## 36" & 30" Downdraft Vent Dimensions with Integrated Blower Motor



### Installation Requirements:

For 36" or 30" Downdraft Vent/Cooktop Countertop Preparation and Cutout Dimensions, refer to model-specific product page for planning information. For complete installation details, refer to model-specific Product Installation Guide on web.

## Integrated Blower Motor System Kit Specifications

- 600 CFM Integrated Blower Motor System Kit is designed for use with Downdraft Vent models (36") EI36DD10KS and (30") EI30DD10KS. For complete 36" or 30" Downdraft Vent/Cooktop Countertop Preparation planning information and Downdraft Vent cutout dimensions, refer to model-specific Downdraft Vent product page. For complete installation details, refer to model-specific Product Installation Guide on web.
- Integrated Blower Motor installation requires replacement of transition duct, pre-attached to Downdraft chassis housing. For complete blower motor installation details, refer to Product Installation Guide on web.
- Voltage Rating – 120V/60Hz/15 Amps
- Connected Load (kW Rating) = 0.41 kW (For use on adequately wired 120V, dedicated circuit having 2-wire service with a separate ground wire. Appliance must be grounded for safe operation.)
- Amps @ 120 Volts – 3.4 Amps
- Do not use same circuit as cooktop.
- Always consult local and national electric codes. Check local building codes for installation requirements, as they may vary per locale.
- Locate grounded electrical outlet for 28"-long power cord within reachable distance. When installing 36" vent in 36"-wide cabinet, or 30" in 30"-wide cabinet, outlet cannot be located on back wall of cabinet, but can be wall-mounted with access hole in cabinet.

- Vent exhaust air outside only.
- Exhaust Duct Required – Galvanized or aluminum duct in 6" round or 3-1/4" x 10" rectangular, or combination of both. PVC should be used if installing under concrete slab.
- Three blower discharge direction options available; rotate blower motor for left, right or down discharge.
- Consider ductwork location before cutting hole in cabinet. Blower motor mounted on slide plate, enabling 3-1/2" left or right adjustment to avoid duct interference with joists or other obstructions.
- For maximum efficiency, use shortest and straightest duct run possible. System operates most efficiently with up to 60 equivalent feet of duct; Downdraft Vent operates properly with ductwork up to 100 equivalent feet. (Refer to Calculating Duct Length Table in Product Installation Guide.)
- Do not use flexible duct. Round duct instead of rectangular duct recommended, especially when elbows are required.
- Thermal breaks such as short section of nonmetallic duct, should be used in areas of extreme cold. Cold weather installations should have additional backdraft damper installed.
- High level of airflow may affect gas flame on some gas cooktop models.

**Note: For planning purposes only. Refer to Product Installation Guide on the web at [electroluxappliances.ca](http://electroluxappliances.ca) for detailed instructions.**