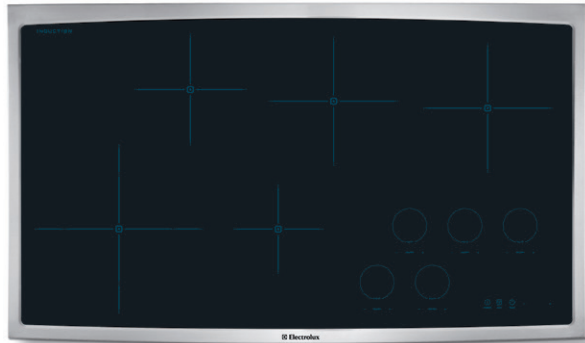


Induction Cooktops

EW36IC60L S, EW36IC60L B



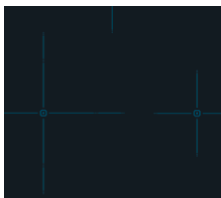
Boil Water in 90 Seconds*

Inspired by professional performance & power, the induction cooktop boils water in 90 seconds!



Professional Temperature Control

Cooking with induction is more responsive than gas or electric — you can instantly adjust the heat to a delicate simmer or bring it to a quick boil.



Adapts to Different Pot & Pan Sizes

The induction cooktop adapts to different pot & pan sizes to provide perfectly consistent heat for delicious results.



Cooktop Stays Cooler

With induction cooking, heat is generated directly in the cookware, so the cooktop stays cooler to the touch — making it easier to clean.

36" INDUCTION COOKTOPS

Features

Perfect Set® Electronic Touch Controls	Yes
Ceramic Smoothtop Glass Surface	Yes
7" / 11" Dual Element – 3700W / 4800W	1
8" Induction Cooking Element – 2300W / 3200W	2
7" Induction Cooking Element – 1900W / 2600W	1
6" Induction Cooking Element – 1450W / 2000W	1
Keep Warm Setting	Yes
Hot Surface Indicator Lights	Yes
Sealed Spill Control Cooktop	Yes
Sabbath Mode (Star-K® Certified)	

Accessories

Granite Countertop Installation Kit – PN # 903061-9010	Optional
--------------------------------------------------------	----------

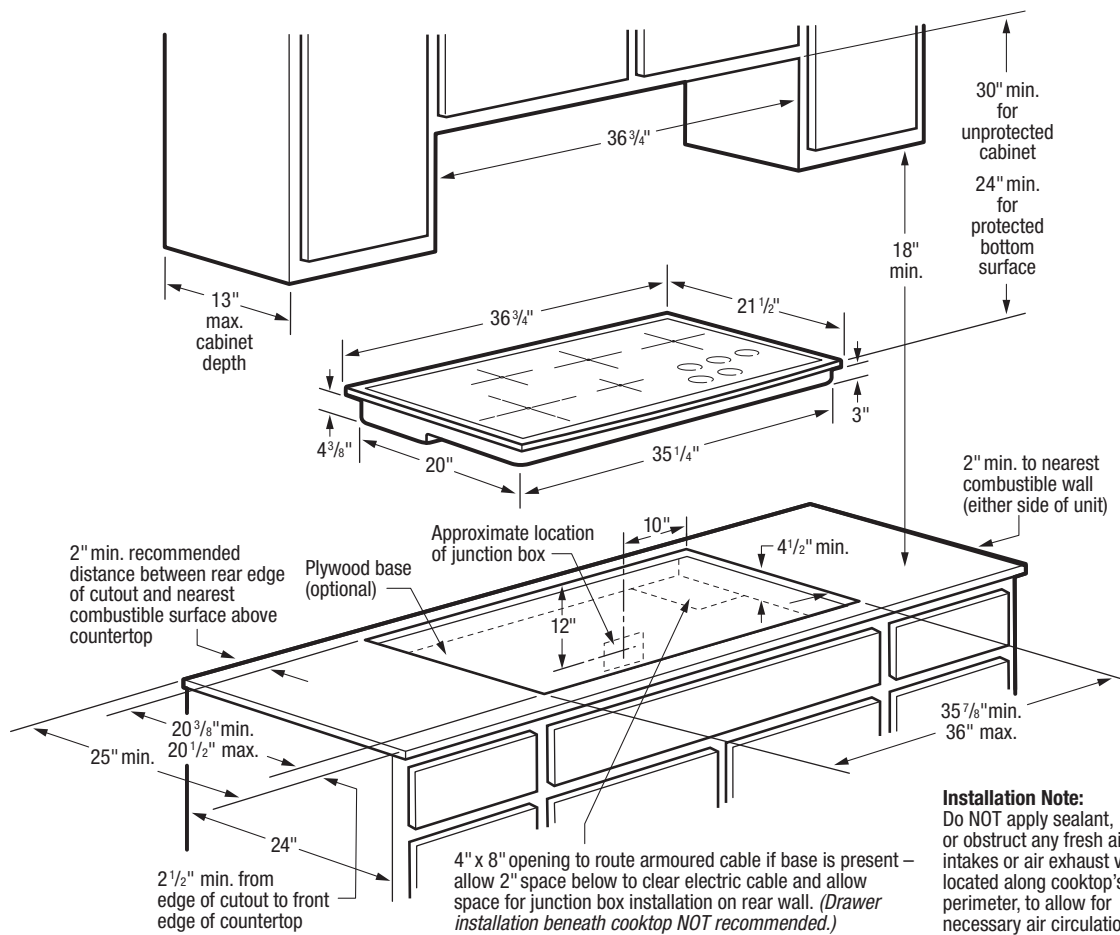
Specifications

Colour –	
Stainless Steel	S
Black	B
Product Dimensions –	
Width	36-3/4"
Depth	21-1/2"
Height (Extreme Bottom to Underside of Cooktop)	4-3/8"
Power Supply Connection Location	Right Centre Rear
Connected Load (kW Rating) @ 240 / 208 Volts	12.0 / 10.4
Amps @ 240 / 208 Volts	50.0 / 50.0
Minimum Circuit Required (Amps)	50
Electrical – Single phase 4-wire cable, 120 / 240 Volts or 120 / 208 Volts, 60 Hz, fused on both sides of line with ground.	Required
Armoured Electrical Cable	Included
Approved for Single Oven Combination Installation**	Yes
Shipping Weight (Approx.)	75 Lbs.

NOTE: Always consult local and national electric codes. Refer to Product Installation Guide for detailed installation instructions on the web at electroluxappliances.ca. Specifications subject to change.

*10" induction burner with Power Boost, 6 qt./10" diameter pot, 1 qt. tepid water.

**Approved to be used over any Electrolux Single Wall Oven.



36" Induction Cooktop Specifications

- Product Weight – 60 Lbs.
- Single phase 3- or 4-wire cable, 120 / 240 or 120 / 208 Volt, 60 Hertz, fused on both sides of line with ground.
- Connected Load (kW Rating) @ 240 / 208 Volts = 12.0 / 10.4 kW
- Amps @ 240 / 208 Volts = 50.0 / 50.0 Amps
- Recommended Circuit Breaker – 50 Amps
- Always consult local and national electric codes.
- Allow 2" space beneath cooktop or optional platform to clear electrical cable and allow space for installation of junction box on wall at back of cooktop. Position centre of junction box 10" inward from right side of cooktop cutout, and 12" down from underside of countertop.
- Overhead cabinetry should not exceed a 13" maximum depth.
- Allow 30" minimum clearance between top of cooktop and bottom of unprotected wood or metal overhead cabinetry.
- Absolute minimum horizontal distance between overhead cabinets installed to either side of appliance must be no less than 36-3/4".
- Allow 24" minimum clearance when bottom of wood or metal overhead cabinet is protected by not less than 1/8" flame-retardant millboard covered with not less than No. 28 MSG sheet steel, 0.015" stainless steel, 0.024" aluminum or 0.020" copper.

- Allow 2" minimum clearance between rear edge of cutout and nearest combustible surface above countertop.
- Allow 2" minimum clearance from edge of cooktop to nearest combustible wall on either side of unit.
- Do NOT apply sealant, or obstruct any fresh air intakes or air exhaust vents located along cooktop's perimeter, to allow for necessary air circulation.
- To reduce risk of fire when using overhead cabinetry, install range hood that projects horizontally a recommended minimum of 5" beyond bottom of cabinets.
- Induction Cooktop model EW36IC60L is approved to be used over any Electrolux Electric Single Wall Oven. (Refer to *Electric Cooktop Installation Over 30" / 27" Electric Single Wall Oven Specifications page on web.*)

Note: For planning purposes only. Refer to **Product Installation Guide** on the web at electroluxappliances.ca for detailed instructions.

Optional Accessories

- Granite Countertop Installation Kit – (PN # 903061-9010).