

EN FRONT LOAD WASHER
FR LAVEUSE À CHARGEMENT FRONTAL
ES LAVADORA DE CARGA FRONTAL

INSTALLATION INSTRUCTIONS
INSTRUCTIONS D'INSTALLATION
INSTRUCCIONES DE INSTALACIÓN



2 Important Safety Instructions

WARNING

For your safety the information in this manual must be followed to minimize the risk of fire or explosion or to prevent property damage, personal injury or loss of life. Do not store or use gasoline or other flammable vapors and liquids in the vicinity of this or any other appliance.

Recognize safety symbols, words and labels

Safety items throughout this manual are labeled with a WARNING or CAUTION based on the risk type as described:

WARNING

This symbol alerts you to situations that may cause serious body harm, death or property damage.

CAUTION

This symbol alerts you to situations that may cause bodily injury or property damage.

WARNING

RISK OF FIRE - Read all of the following instructions before installing and using this appliance:

- Destroy the carton and plastic bags after the dryer is unpacked. Children might use them for play. Cartons covered with rugs, bedspreads, or plastic sheets can become airtight chambers causing suffocation. Place all materials in a garbage container or make materials inaccessible to children.
- For your safety the information in this manual must be followed to minimize the risk of fire or explosion or to prevent property damage, personal injury or loss of life. Do not store or use gasoline or other flammable vapors and liquids in the vicinity of this or any other appliance.
- Install the washer according to the manufacturer's instructions and local codes.
- The electrical service to the washer must conform with local codes and ordinances and the latest edition of the National Electrical Code, ANSI/NFPA 70, or in Canada, the Canadian electrical code C22.1 part 1.
- To avoid back or other injury, have more than one person move or lift the washer.
- Do not stack a dryer on top of washer already installed on pedestal. Do not stack washer on top of dryer. Do not stack washer on top of another washer.
- The instructions in this manual and all other literature included with this dryer are not meant to cover every possible condition and situation that may occur. Good safe practice and caution **MUST** be applied when installing, operating and maintaining any appliance.

Save these instructions for future reference.

Table of contents

Important Safety Instructions.....	2	Installation Instructions.....	9-10
Installation Requirements.....	3-6	Reversing Door.....	11-14
Unpacking Washer.....	7-8	Options.....	15

Please read and save this guide

Thank you for choosing **Electrolux**, the premium brand in home appliances. These Installation Instructions are part of our commitment to customer satisfaction and product quality throughout the life of your new appliance.

Questions?

For toll-free telephone support in the U.S.: 1-877-4ELECTROLUX (1-877-435-3287) and in Canada: 1-800-265-8352.

For online support and product information visit www.electroluxappliances.com.

Installation Checklist

Shipping Hardware

- Foam shipping support (under wash tub) removed and stored
- Shipping bolts and spacers removed from rear of appliance and stored
- Hole plugs (shipped in bag in drum) installed in holes in backsheet

Leveling

- Washer is level, side-to-side and front-to-back
- Cabinet is setting solid on all corners

Water Supply

- Use only new hoses and verify rubber sealing washers are installed
- HOT supply is connected to HOT inlet and COLD supply is connected to COLD inlet
- HOT and COLD water supply turned on
- No leaks present at water supply connections or appliance inlet connections - recheck in 24 hours

Drain

- Stand pipe or wall drain height minimum 24"
- Verify anti-siphon disc is attached toward end of drain hose
- Drain hose secured in place with cable tie (shipped in drum)

Door Reversal

- Follow detailed instructions in this guide
- Test hinge and latch for function

Electrical Power

- House power turned on
- Washer plugged in

Final Checks

- Installation Instructions and Use and Care Guide read thoroughly
- Door locks and water enters drum when cycle starts
- Registration card sent in

Tools and materials needed for installation:



Optional universal wrench

OR



Adjustable wrench

OR



3/8" or 10 mm box wrench

OR



Ratchet and socket set

AND



Adjustable pliers

AND



Carpenter's level



Inlet hose (x2)

NOTE

Hoses are not included with washer purchase. See "Accessories" section for various inlet hose kits to fit your specific installation.

Electrical system requirements

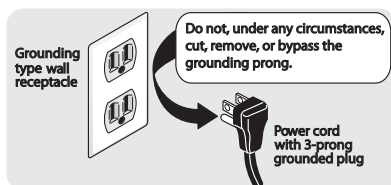
CIRCUIT - Individual, properly polarized and grounded 15 amp. branch circuit fused with 15 amp. time delay fuse or circuit breaker.

POWER SUPPLY - 2 wire, with ground, 120 volt single phase, 60 Hz, Alternating Current.

NOTE

Because of potentially inconsistent voltage capabilities, the use of this washer with power created by gas powered generators, solar powered generators, wind powered generators or any other generator other than the local utility company is not recommended.

OUTLET RECEPTACLE - Properly grounded 3-prong receptacle to be located so the power supply cord is accessible when the washer is in an installed position.



Grounding requirements

WARNING

ELECTRICAL SHOCK HAZARD

Improper connection of the equipment grounding conductor can result in a risk of electrical shock. Check with a licensed electrician if you are in doubt as to whether the appliance is properly grounded.

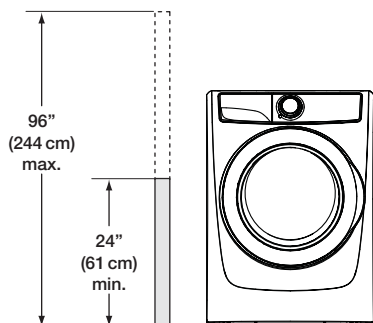
1. The washer **MUST** be grounded. In the event of malfunction or breakdown, grounding will reduce the risk of electrical shock by a path of least resistance for electrical current.
2. Since your washer is equipped with a power supply cord having an equipment-grounding conductor and a grounding plug, the plug **MUST** be plugged into an appropriate, copper wired receptacle that is properly installed and grounded in accordance with all local codes and ordinances or in the absence of local codes, with the National Electrical Codes, ANSI/NFPA 70 (latest edition), or in Canada, the Canadian electrical code C22.1 part 1. If in doubt, call a licensed electrician. **DO NOT** cut off or alter the grounding prong on the power supply cord. In situations where a two-slot receptacle is present, it is the owner's responsibility to have a licensed electrician replace it with a properly grounded three prong grounding type receptacle.

Water supply requirements

Hot and cold water faucets **MUST** be installed within hose length of your washer's water inlet. The faucets **MUST** be 3/4 inch (1.9 cm) with threading for laundry hose connection. Water pressure **MUST** be between 30 and 120 psi. Pressure difference between hot and cold cannot be more than 10 psi. Your water department can advise you of your water pressure.

Drain system requirements

1. Drain capable of eliminating 17 gals (64.3 L) per minute.
2. A standpipe diameter of 1-1/4 in. (3.18 cm) minimum.
3. The standpipe height above the floor should be: Minimum height: 24 in. (61 cm) Maximum height: 96 in. (244 cm)



NOTE

Drain hose length is 59 in. (150 cm). For installations requiring a longer drain hose, use hose P/N 137098000, available from an authorized parts distributor.

Clearance requirements

IMPORTANT

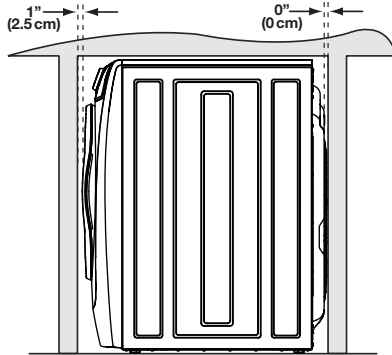
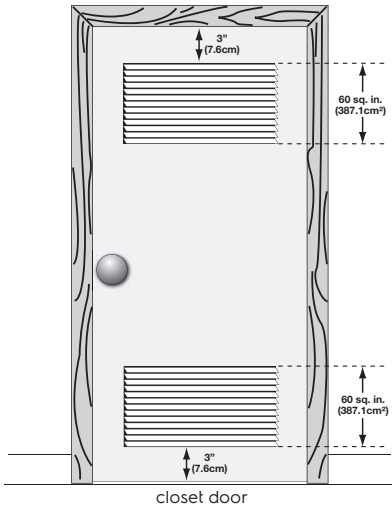
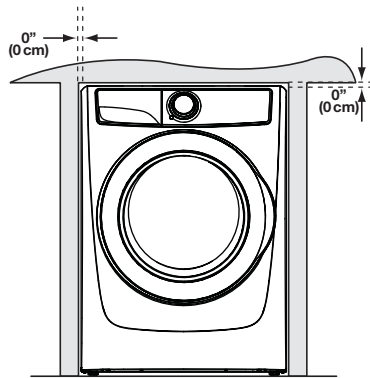
DO NOT INSTALL YOUR WASHER:

1. ...in an area exposed to dripping water or outside weather conditions.
2. ...in an area where gasoline or other flammables are kept or stored. If the washer is installed in a garage, it must be a minimum of 18 inches (45.7 cm) above the floor.
3. ...on carpet. Floor **MUST** be solid with a maximum slope of 1 inch (2.5 cm). To minimize vibration or movement, reinforcement of the floor may be necessary.

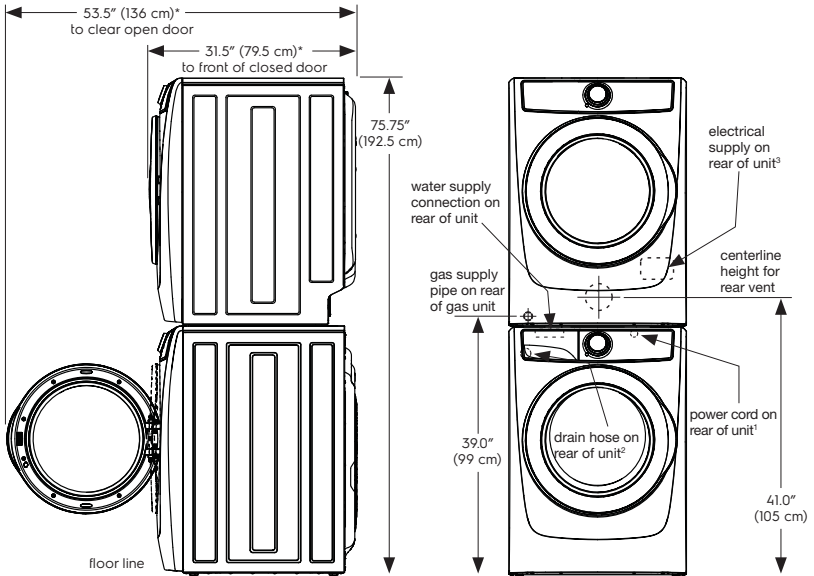
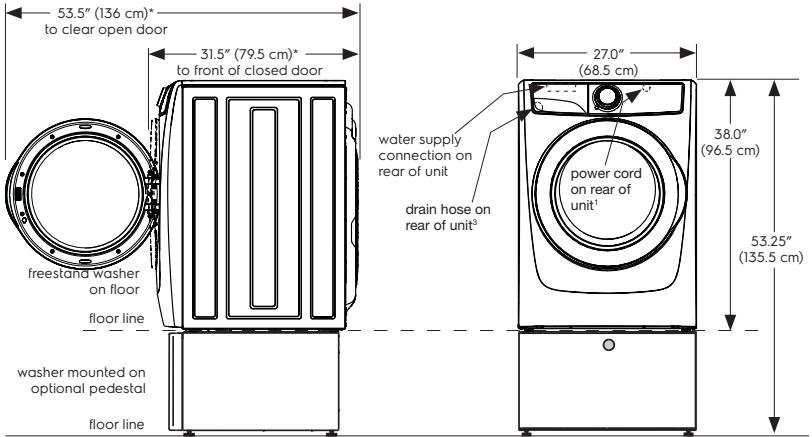
INSTALLATION IN A RECESS OR CLOSET

If washer and dryer are installed in the same closet, door ventilation is required: A minimum of 120 square inches (774.2 cm²) of opening, equally divided at the top and bottom of the door, is required. Louvered openings should be located 3 inches (7.6 cm) from bottom and top of door. Air openings are required to be unobstructed when a door is installed. A louvered door with equivalent air openings for the full length of the door is acceptable.

MINIMUM INSTALLATION CLEARANCES - Inches (cm)				
	SIDES	REAR	TOP	FRONT
Alcove	0" (0 cm)	0" (0 cm)	0" (0 cm)	n/a
Under-Counter	0" (0 cm)	0" (0 cm)	0" (0 cm)	n/a
Closet	0" (0 cm)	0" (0 cm)	0" (0 cm)	1" (2.5 cm)



Washer dimensions



*Connection of water inlet hose on steam dryer adds 3/4 in. (2 cm) to installation depth.

¹Power supply cord length on washer approximately 60 inches (152.5 cm).

²Drain hose length on washer approximately 59 inches (150 cm).

³Power supply cord length on gas dryer or electric Canadian dryer approximately 60 inches (152.5 cm).

Removing foam packaging

WARNING

SUFFOCATION HAZARD

Destroy the carton and plastic bags after the washer is unpacked. Children might use them for play. Cartons covered with rugs, bedspreads, or plastic sheets can become airtight chambers causing suffocation. Place all materials in a garbage container or make materials inaccessible to children.

1. Temporarily remove door tape.
2. Open washer door and remove everything from the drum.
3. Close door and reapply door tape.
4. Using a rug, blanket or piece of cardboard to protect the floor, carefully lay the washer on its back.

CAUTION

EXCESSIVE WEIGHT HAZARD

To avoid back or other injury, have more than one person move or lift the washer.

5. Remove styrofoam base and shipping plug and set them aside.
6. Carefully return the washer to an upright position.
7. Carefully move the washer to within 4 feet (1 m) of its final location.

IMPORTANT

Save styrofoam base and shipping plug for use to help prevent washer damage during any future moves.

IMPORTANT

Do NOT tip washer upside down onto its top for any reason.

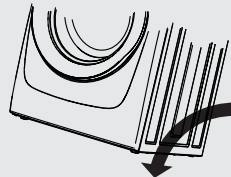
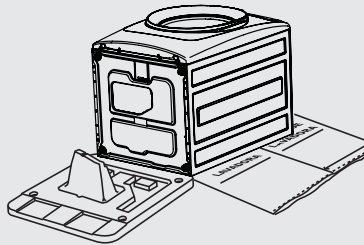
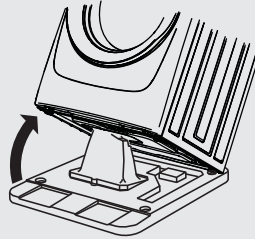
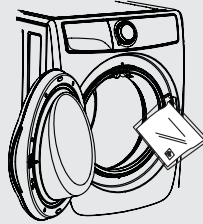
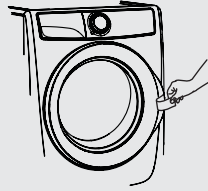
WARNING

ELECTRICAL SHOCK HAZARD

Certain internal parts are intentionally not grounded and may present a risk of electrical shock if contacted during installation.

Do not contact the following parts while the appliance is energized:

- Pump
- Drive motor
- Electrical control boards
- Water valves



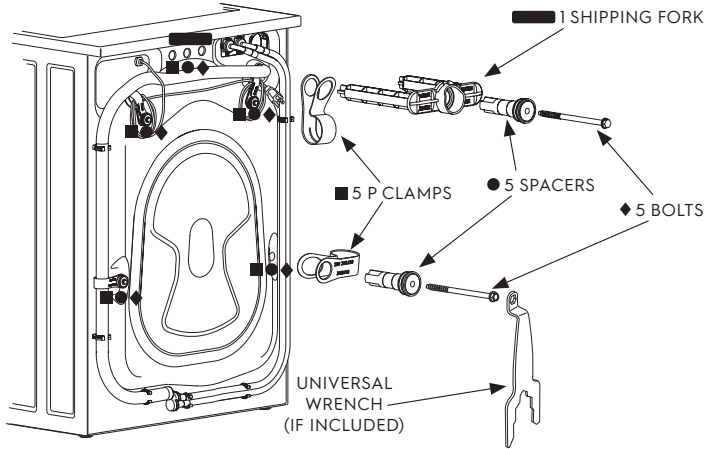
Unpacking Washer

Removing shipping hardware

IMPORTANT

Failure to remove shipping hardware completely could result in damage to the appliance, damage to your home, or unexpected washing results.

Save all shipping bolts and spacers for future use. If the washer is to be transported at a later date, the shipping hardware must be reinstalled to help prevent shipping damage.



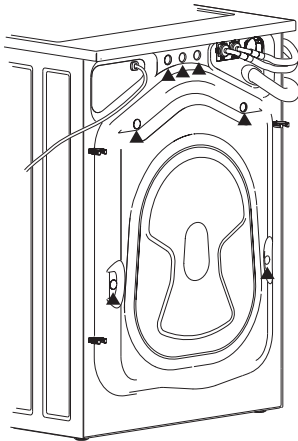
Remove all of the following:

- 1 SHIPPING FORK ● 5 SPACERS
- 5 P CLAMPS ◆ 5 BOLTS

NOTE

Rubber expansion material on spacers may need time to relax before they can be easily pulled through shipping hole.

Installing hole plugs



Locate 7 hole plugs in the small bag supplied with washer instruction guides. Insert them in the holes in washer back panel.



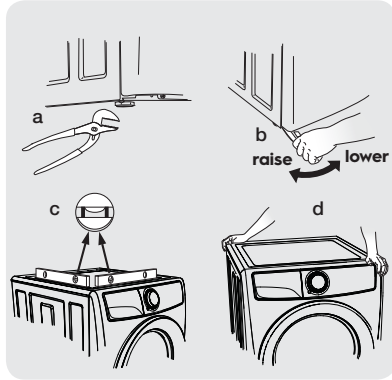
Leveling your washer

Excessive noise and vibration can be prevented by properly leveling the washer.

1. For free standing installation and with the washer within 4 feet (1 m) of its final location, place a level on top of the washer.
2. Use the universal wrench to adjust the leveling legs so the washer is level front-to-rear and side-to-side, and stable corner-to-corner.
3. Press down on alternate corners and sides and feel for the slightest movement. Adjust the appropriate leg(s) so the washer sits solidly on the floor on ALL four legs. Keep the leveling leg extension at a minimum for best performance of the washer.

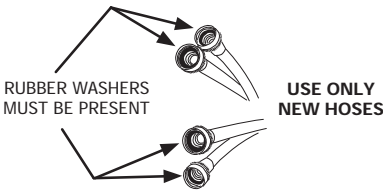
NOTE

For pedestal installations, see additional installation instructions included with the pedestal.



Connecting inlet water

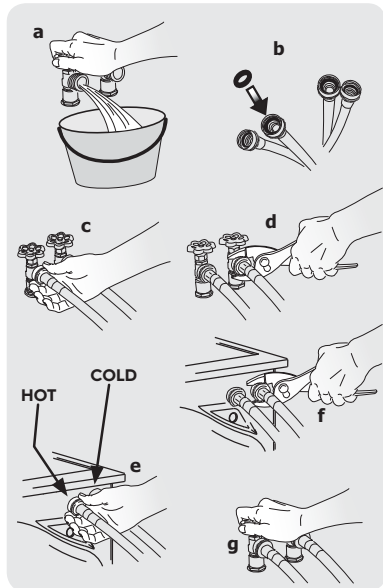
1. Run some water from the hot and cold faucets to flush the water lines and remove particles that might clog the water valve screens and to determine which faucet is hot and which is cold supply.



NOTE

Hoses are not included with washer purchase. See "Accessories" section for various inlet hose kits to fit your specific installation.

2. Connect the HOT inlet hose to the HOT inlet connection on the washer and the COLD inlet hose to the COLD inlet connection on the washer. Tighten by hand until snug. Then tighten each supply connection another 2/3 turn with pliers. **Do not cross thread or over-tighten these connections.**
3. Connect the HOT inlet hose to the HOT water supply and the COLD inlet hose to the COLD water supply. Tighten by hand until snug. Then tighten each supply connection another 2/3 turn with pliers. **Do not bend, kink or pinch water inlet hoses.**
4. Turn on the water and check for leaks.



Connecting drain and electrical

1. Verify the anti-siphon disc is in place.
2. Form a "U" shape on the end of the drain hose with the hose pointed toward the drain. Place the formed end in a laundry tub or a standpipe and secure the drain hose with the cable tie (provided in the enclosure package) to the standpipe, inlet hose, laundry tub, etc. so the hose does not pull out from the force of the water.

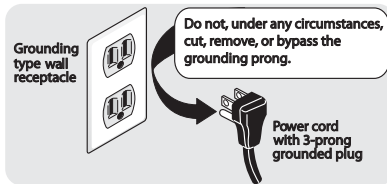
NOTE

The standpipe inside diameter must be 1-1/4" (3.2 cm) minimum. There must be an air gap around the drain hose in the standpipe. A snug hose fit can cause a siphoning action.

IMPORTANT

Check to ensure the power is off at a circuit breaker/fuse box before plugging the power cord into an outlet.

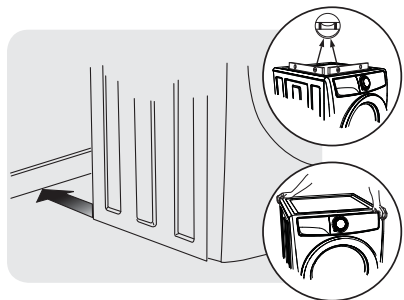
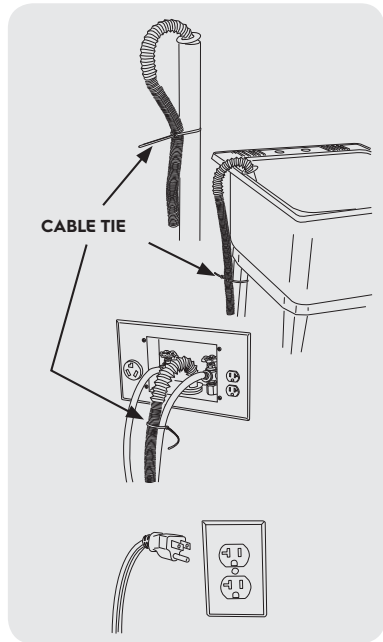
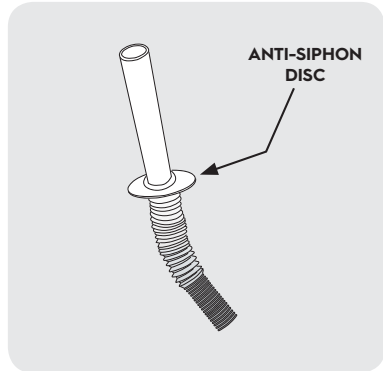
3. Plug the power cord into a grounded outlet.



4. Turn on the power at a circuit breaker/fuse box.
5. Carefully slide the washer to its final position. Recheck for level and rock corners for stability. Remove and discard door tape.
6. Read the Use & Care Guide provided with the washer. It contains valuable and helpful information that will save you time and money.
7. Run the washer through a complete cycle, checking for water leaks and proper operation.
8. If you have any questions during initial operation, please review the "Service Prevention Checklist" in your Use & Care Guide before calling for service.
9. Place these instructions in a location near the washer for future reference.

NOTE

A wiring diagram and technical data sheet are located under the washer top panel, on top of the detergent dispenser housing.



IMPORTANT

BEFORE YOU REVERSE YOUR WASHER DOOR:

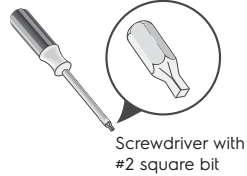
1. Be sure you have adequate swing area before reversing door.
2. Gather your tools - including a screw driver with a #2 square bit and plastic knife (or small, flat prying tool that won't damage paint).
3. Protect flat work surface, such as top of washer or floor near washer, with a soft cloth or towel.
4. Be sure washer is unplugged from power source!

WARNING

ELECTRICAL SHOCK HAZARD

Failure to disconnect power source before servicing could result in personal injury or even death.

Tools needed for reversal:



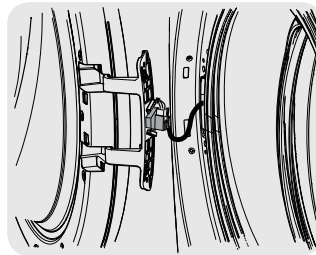
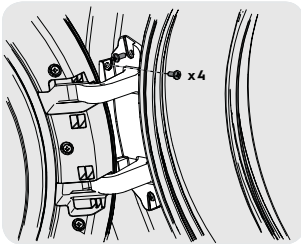
Screwdriver with #2 square bit



Plastic knife

A) Removing Door Assembly

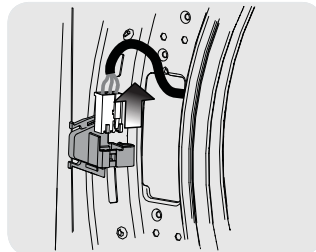
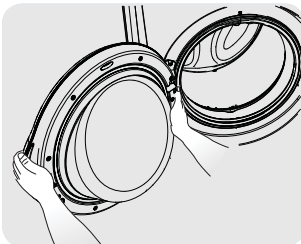
1. Completely open the door to expose all four hinge screws.
2. Remove all four hinge screws with #2 square bit driver. Save for reinstalling later.
4. While supporting the door with one hand, pinch the tabs to release the plastic terminal cap from the hinge plate.



3. Grasp the door with both hands -one at the handle area and one at the hinge area. While supporting the door with the hand at the hinge, press firmly with the other hand until the locating pins on the back of the hinge plate dislocate from the front panel.
5. Set the door face down on a flat surface protected by soft cloth or towel.
6. Release wiring harness from retainer on plastic terminal cap. Then release terminal from terminal cap. Save the cap to reinstall later.

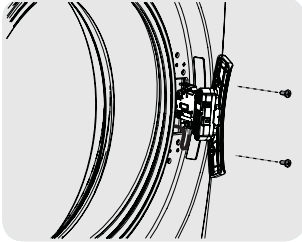
IMPORTANT

Take care not to pull the door away from the washer until you remove the wiring harness terminal cap.

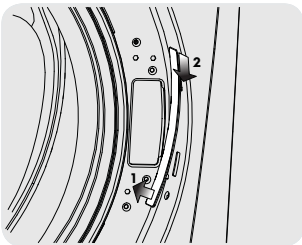


B) Removing Door Lock and Plastic Hole Cover

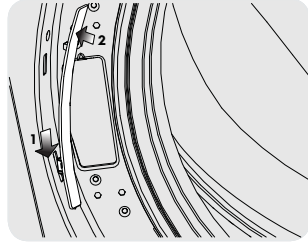
1. Locate and remove both screws from door lock. Save screws for later.
2. Rotate the lock as you pull it out through the front panel. Take care not to pull too hard or too far as the lock is still attached to the wiring harness.



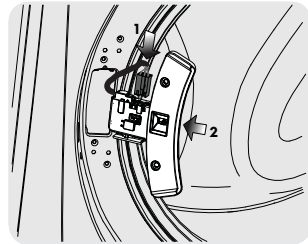
3. Disconnect the wiring harness terminal from the door lock. Set the door lock aside for reinstallation later.
4. Pry upward the bottom of the plastic hole cover to release it from the front panel. You may have to use a non-scratching plastic knife if you are unable to release it manually. Slide the cover down slightly and remove it from the front panel.

**C) Reinstalling Lock and Hole Cover**

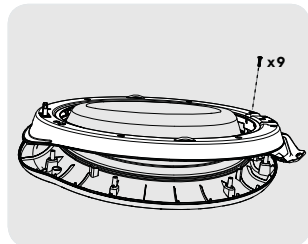
1. Move the plastic cover to the other side of the front panel. Position the cover so the "hook" is at the bottom. Insert hook into lower slot, slide the cover down, and press upper retention tabs into opening until they snap into place.



2. Insert wiring harness into door lock.
3. Insert door lock into front panel and reinstall door lock screws.

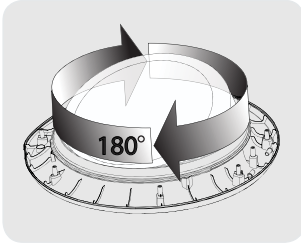
**D) Reversing Door Assembly**

1. Locate nine screws on inner door ring. Remove each and save for reinstallation later. Remove inner door (with hinge) and carefully set aside.

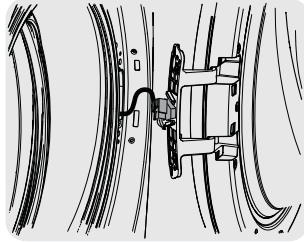


Reversing Door Assembly, continued

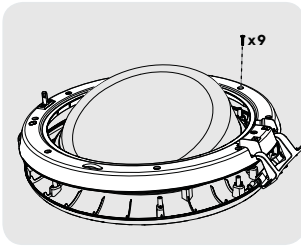
2. Lift door glass slightly and rotate 180 degrees, setting it back onto outer door. Make sure the alignment tabs reengage.



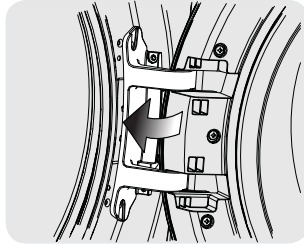
2. Slide terminal cap onto back of hinge plate until tabs snap into place.



3. Reinstall inner door onto outer door with nine screws removed earlier.

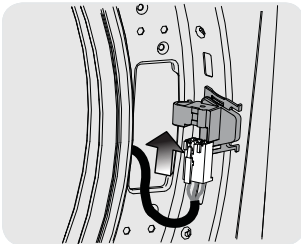


3. Insert hinge locating pins into the hole that were previously covered by the plastic hole cover. Press on the face of the hinge to snap the other locating pins into place.

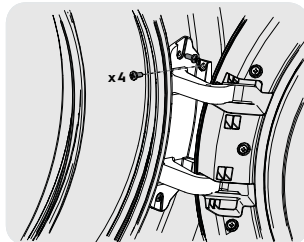


E) Reinstalling Door Assembly

1. Insert the wiring harness terminal into the terminal cap and wrap the harness into the harness retainer.



4. Reinstall all four screws removed earlier.



E) Verify Reversed Door Operation

1. Test door for free, smooth swinging operation and secure latching when closed.
2. Plug in washer and close the door. Test correct door lock operation by starting a test cycle: lock should engage, and door should not be able to be opened until cycle is paused or canceled.

Accessories

MATCHING STORAGE PEDESTAL*

White Pedestal - P/N EPWD157SIW
Titanium Pedestal - P/N EPWD157STT

A storage pedestal accessory, specifically designed for this washer may be used to elevate the washer for ease of use. This pedestal will add about 15" (38 cm) to the height of your unit.

*Other colors may be available. Contact the source where you purchased your washer.

DRYER STACKING KIT

P/N STACKIT7X

Depending on the model you purchased, a kit for stacking a matching dryer on top of this washer may have been included in the initial purchase of your dryer. If your model did not include a stacking kit or you desire another stacking kit, you may order one.

INLET HOSE KITS

Please call 866-233-8353 (in Canada, 800-265-8352) to explore hose kit options that will meet your specific installation needs.

DRAIN HOSE EXTENSION KIT

P/N 137098000

In order to reach standpipe heights or distances beyond the reach of the drain hose supplied, order the DRAIN HOSE EXTENSION KIT.

UNIVERSAL APPLIANCE WRENCH

P/N 137019200

A UNIVERSAL APPLIANCE WRENCH is available to aid in dryer/washer/pedestal feet adjustment.

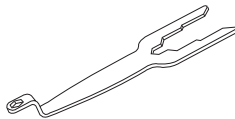
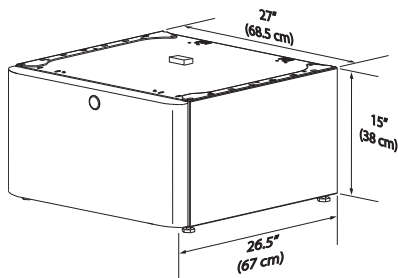
TOUCH UP PAINT PENS*

White - P/N 5304468812
Titanium - P/N 5304475700

*Other colors may be available. Contact the source where you purchased your washer.

CAUTION

Failure to use accessories manufactured by (or approved by) the manufacturer could result in personal injury, property damage or damage to the washer.



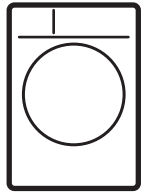
Replacement parts in U.S. and Canada:

If replacements parts are needed for your washer, you can contact the source where you purchased your washer, call 1-877-4ELECTROLUX (1-877-435-3287) in the U.S. or 1-800-265-8352 in Canada, or visit our website, www.electroluxappliances.com, for the Electrolux Authorized Parts Distributor nearest you.

WARNING

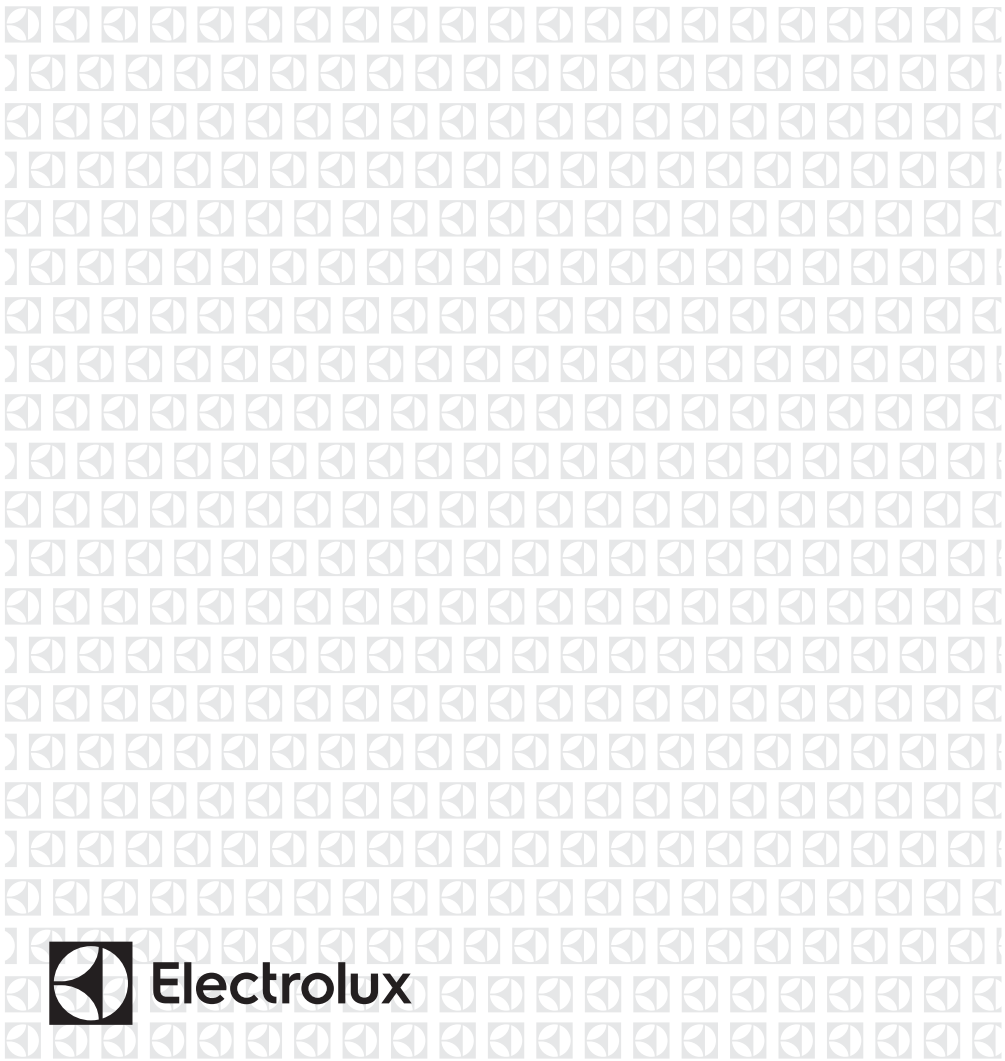
ELECTRICAL HAZARD

Label all wires prior to disconnection when servicing controls. Wiring errors can cause improper and dangerous operation. Verify proper operation after servicing.



EN FRONT LOAD WASHER
FR LAVEUSE À CHARGEMENT FRONTAL
ES LAVADORA DE CARGA FRONTAL

INSTALLATION INSTRUCTIONS
INSTRUCTIONS D'INSTALLATION
INSTRUCCIONES DE INSTALACIÓN



2 Mesures de Sécurité Importantes

AVERTISSEMENT

Pour votre sécurité, l'information contenue dans ces instructions doit être suivie afin de réduire les risques d'incendie ou d'explosion ou pour prévenir les dommages matériels, les blessures ou la mort. Vous ne devez ni entreposer, ni utiliser d'essence ou d'autres vapeurs ou liquides inflammables à proximité de cet appareil ou de tout autre appareil électroménager.

Sachez reconnaître les symboles, les avertissements et les étiquettes de sécurité.

Les mesures de sécurité présentées dans ce guide sont identifiées par le mot AVERTISSEMENT ou ATTENTION selon le type de risque présenté.

AVERTISSEMENT

Ce symbole vous avertit à propos des situations pouvant causer des dommages matériels, des blessures graves ou même la mort.

ATTENTION

Ce symbole vous avertit à propos des situations pouvant causer des dommages matériels ou des blessures.

AVERTISSEMENT

RISQUE D'INCENDIE - Lisez toutes les instructions de sécurité suivantes avant d'installer et d'utiliser votre appareil :

- Détruisez le carton d'emballage et les sacs en plastique après avoir déballé l'appareil. Les enfants pourraient les utiliser pour jouer. Le carton recouvert de tapis, les couvertures et les feuilles de plastique peuvent être étanches à l'air et provoquer la suffocation. Déposez tous les matériaux d'emballage dans un conteneur à déchets ou faites en sorte que les enfants ne puissent y avoir accès.
- Pour votre sécurité, l'information contenue dans ces instructions doit être suivie afin de réduire les risques d'incendie ou d'explosion ou pour prévenir les dommages matériels, les blessures ou la mort. Vous ne devez ni entreposer, ni utiliser d'essence ou d'autres vapeurs ou liquides inflammables à proximité de cet appareil ou de tout autre appareil électroménager.
- Installez l'appareil conformément aux instructions du fabricant et aux codes locaux.
- L'installation électrique de la laveuse doit être conforme aux codes et aux règlements locaux ainsi qu'à la toute dernière édition du National Electrical Code (ANSI/NFPA 70), ou au Canada, au Code canadien de l'électricité (C22.1, article 1).
- Pour éviter les blessures au dos ou d'autres types de blessure, demandez l'aide d'autres personnes pour déplacer ou soulever la laveuse.
- Ne superposez pas une sècheuse sur une laveuse déjà installée sur un socle. Ne superposez pas une laveuse sur une sècheuse. Ne superposez pas une laveuse sur une autre laveuse.
- Les instructions comprises dans ce guide et toute autre documentation fournie avec cet appareil ne sont pas conçues pour couvrir toutes les éventualités ou situations qui pourraient survenir. Vous DEVEZ faire preuve de bon sens et de prudence durant l'installation, l'utilisation et l'entretien de tout appareil ménager.

Conservez ces instructions pour vous y reporter ultérieurement.

Table des matières

Mesures de Sécurité Importantes.....	2	Instructions d'Installation.....	9-10
Exigences d'Installation.....	3-6	Inversion de la Porte.....	11-14
Déballage de la Laveuse.....	7-8	Options.....	15

Veillez lire et conserver ce guide

Merci d'avoir choisi **Electrolux**, la marque de qualité en matière d'électroménager. Ces instructions d'installation font partie de notre engagement à vous satisfaire et à vous fournir un produit de qualité pendant toute la durée de vie de votre nouvel appareil.

Des questions?

Pour rejoindre le service aux États-Unis : 1-877-4ELECTROLUX (1-877-435-3287) et au Canada : 1-800-265-8352.

Pour obtenir de l'aide et de l'information sur les produits en ligne, visitez le site www.electroluxappliances.com.

Liste de vérification d'installation

Matériel d'expédition

- Le support d'expédition en mousse (sous la cuve de lavage) a été enlevé et remis
- Les boulons d'expédition situés à l'arrière de l'appareil ont été enlevés et remis
- Les bouchons (inclus dans le sac situé dans la cuve) ont été insérés dans les trous situés dans la paroi arrière de la laveuse

Mise à niveau

- La laveuse est au niveau latéralement et de l'avant vers l'arrière
- Les quatre coins de la caisse reposent fermement sur le plancher

Alimentation en eau

- Utilisez seulement les nouveaux tuyau d'entrée d'eau et vérifier que les rondelles en caoutchouc sont en place.
- Le tuyau d'entrée d'eau CHAUDE est raccordé au robinet d'eau CHAUDE et le tuyau d'entrée d'eau FROIDE est raccordé au robinet d'eau FROIDE
- Les robinets d'eau CHAUDE et d'eau FROIDE sont ouverts
- Les raccords d'alimentation en eau ou les raccords d'arrivée d'eau de l'appareil ne présentent aucune fuite - refaites une vérification 24 heures plus tard

Tuyau de vidange

- La colonne montante ou le drain de mur est à une hauteur d'au moins 61 cm (24 po)
- S'assurer que le disque anti-siphon est bien fixé à l'extrémité du tuyau de vidange
- Le tuyau de vidange est fixé avec l'attache (incluse dans la cuve)

Inversion de la porte

- Suivez les instructions détaillées contenues dans ce guide
- Vérifiez que la charnière et le loquet fonctionnent correctement

Alimentation en électricité

- Le système électrique de la maison est sous tension
- La laveuse est branchée

Vérifications finales

- Vous avez lu entièrement les instructions d'installation et le Guide d'utilisation et d'entretien
- La porte se verrouille et le tambour tourne lorsqu'un cycle démarre
- La carte d'enregistrement est envoyée

Outils et matériel nécessaires à l'installation :



Clé universelle optionnel

OU



Clé à molette

OU



Clé polygonale de 3/8 po ou de 10 mm

OU



Cliquet et ensemble de douilles

ET



Pince réglable

ET



Niveau de charpentier



Tuyaux d'alimentation (x2)

REMARQUE

Les tuyaux ne sont pas inclus avec l'achat laveuse. Voir la section « Accessoires » pour divers trousse de tuyaux d'entrée qui pourrait s'adapter à votre installation.

Exigences des systèmes électriques

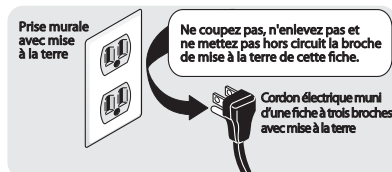
CIRCUIT - Circuit indépendant de 15 ampères, polarisé et mis à la terre, avec fusible temporisé ou disjoncteur de 15 A.

ALIMENTATION ÉLECTRIQUE - Câble monophasé à deux fils mis à la terre, 120 volts, 60 Hz; courant alternatif.

REMARQUE

Étant donné les variations de tension possibles, l'utilisation de cette laveuse avec une source d'alimentation produite par une génératrice à essence, solaire ou éolienne ou par toute autre source d'alimentation différente de celle fournie par les services publics n'est pas recommandée.

PRISE - Prise à trois alvéoles et mise à la terre située à un endroit où il est possible de raccorder le cordon d'alimentation de la laveuse une fois que cette dernière est installée.



Exigences relatives à la mise à la terre

AVERTISSEMENT

RISQUE DE CHOC ÉLECTRIQUE

Un raccordement inadéquat du conducteur de terre de l'équipement peut accroître les risques de choc électrique. En cas de doute quant à la mise à la terre de l'appareil, consultez un électricien qualifié.

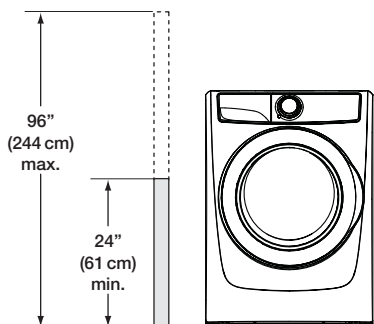
- Cet appareil DOIT être mis à la terre. En cas de mauvais fonctionnement ou de panne, la mise à la terre diminue les risques de choc électrique en fournissant au courant électrique une trajectoire de moindre résistance.
- Étant donné que votre laveuse est équipée d'un cordon d'alimentation pourvu d'un conducteur de mise à la terre et d'une fiche de mise à la terre, la fiche DOIT être raccordée à une prise appropriée (avec conducteurs en cuivre) correctement installée et mise à la terre conformément aux codes et règlements locaux ou, si aucun code local ne régit ce type d'installation, à la plus récente édition du National Electrical Code (ANSI/NFPA 70). En cas de doute, faites appel à un électricien qualifié. **NE COUPEZ PAS** et **NE MODIFIEZ PAS** la broche de mise à la terre du cordon d'alimentation. Si votre prise murale n'est pourvue que de deux fentes, il incombe au propriétaire de faire appel à un électricien qualifié pour la remplacer par une prise à trois alvéoles et mise à la terre de façon adéquate.

Exigences relatives à l'alimentation en eau

Les robinets d'eau chaude et d'eau froide DOIVENT être installés à une distance de longueur de tuyau ou moins de l'arrivée d'eau de votre laveuse. Les robinets DOIVENT être de 1,9 cm (3/4 po) et filetés en fonction d'un raccordement de tuyau de laveuse. La pression de l'eau DOIT se situer entre 206,8 et 827,4 kPa (30 et 120 lb/po²). La différence de pression entre l'eau chaude et l'eau froide ne doit pas dépasser 68,9 kPa (10 lb/po²). Le service des eaux de votre localité peut vous informer sur la pression de votre alimentation en eau.

Exigences relatives au système d'évacuation

- Le drain doit pouvoir évacuer 64,3 L (17 gal) d'eau à la minute.
- Tuyau d'évacuation d'au moins 3,18 cm (1-1/4 po) de diamètre.
- Le tuyau d'évacuation doit être situé entre une hauteur minimale de 61 cm (24 po) et une hauteur maximale de 244 cm (96 po)



REMARQUE

Le tuyau de vidange raccordé à la laveuse peut convenir à un tuyau d'évacuation de 188 cm (74 po) de hauteur. Pour des tuyaux d'évacuation plus hauts, utilisez le tuyau portant le numéro de pièce 137098000 que vous pouvez obtenir auprès d'un distributeur de pièces autorisé.

Exigences de dégagement

IMPORTANT

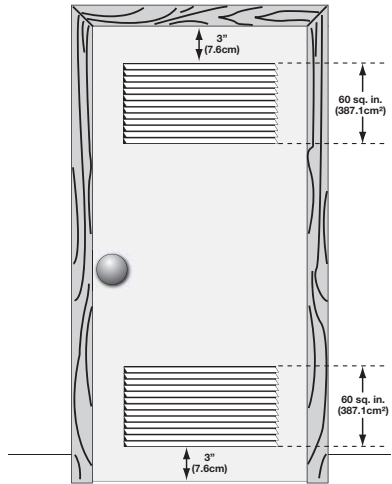
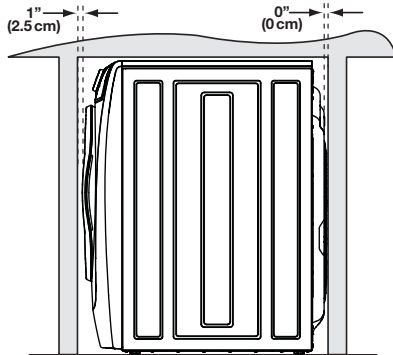
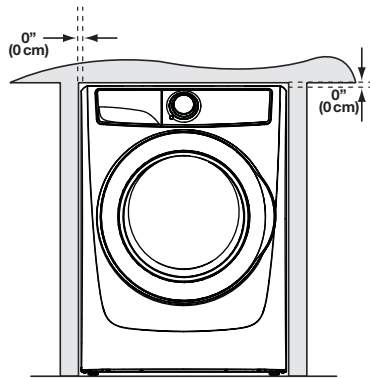
N'INSTALLEZ PAS VOTRE LAVEUSE :

1. ...à un endroit exposé aux écoulements d'eau ou aux aléas des conditions météorologiques extérieures.
2. ...à un endroit (garage ou bâtiment similaire) où de l'essence ou d'autres substances inflammables sont entreposées. Si la machine à laver est installée dans un garage, elle doit être élevée à un minimum de 45,7 cm (18 po) au-dessus du sol.
3. ...sur un tapis. Le plancher DOIT être solide et présenter une pente inférieure à 2,5 cm (1 po). Afin d'éviter les vibrations et le déplacement de l'appareil, il peut être nécessaire de renforcer le plancher.

Installation dans un Endroit en Retrait ou une Armoire

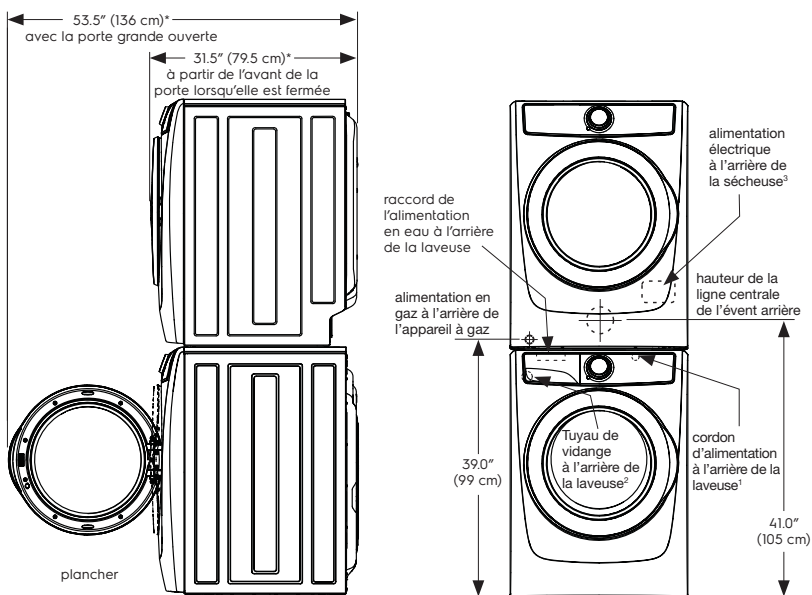
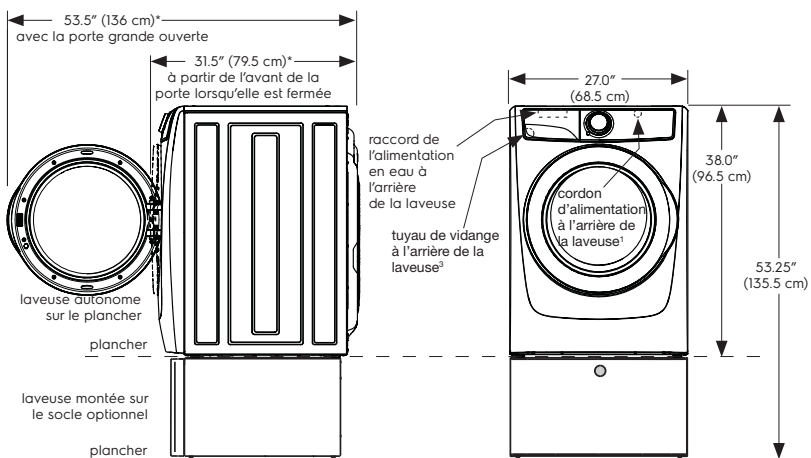
Si la laveuse et la sècheuse sont installées dans le même placard, une ventilation est requise dans la porte : Une ouverture d'au moins 774,2 cm² (120 po²), divisée également au-dessus et au-dessous de la porte, est requise. Les ouvertures à persiennes doivent être situées à 7,6 cm (3 po) du haut et du bas de la porte. Les ouvertures d'aération ne doivent pas être obstruées lorsqu'une porte est installée. Une porte à persiennes dont les ouvertures sur l'ensemble de la porte sont équivalentes aux recommandations peut être utilisée.

DÉGAGEMENTS MINIMAUX - Centimètres (pouces)				
	CÔTÉS	ARRIÈRE	DESSUS	AVANT
Alcôve	0 cm (0")	0 cm (0")	0 cm (0")	n/a
Sous le comptoir	0 cm (0")	0 cm (0")	0 cm (0")	n/a
Placard	0 cm (0")	0 cm (0")	0 cm (0")	2.5 cm (1")



porte de placard

Dimensions de laveuse



*Le raccordement du tuyau d'arrivée d'eau sur les modèles à la vapeur ajoute 2 cm (3/4 po) à la profondeur d'installation.

¹Longueur du cordon d'alimentation de la laveuse, environ 152,5 cm (60 po).

²Longueur du tuyau de vidange de la laveuse, environ 150 cm (59 po).

³Longueur du cordon d'alimentation de la sècheuse à gaz ou la sècheuse électrique (Canada), environ 152,5 cm (60 po).

Retrait de l'emballage en mousse

AVERTISSEMENT

RISQUE D'ÉTOUFFEMENT

Détruisez le carton d'emballage et les sacs en plastique après avoir déballé l'appareil. Les enfants pourraient les utiliser pour jouer. Le carton recouvert de tapis, les couvertures et les feuilles de plastique peuvent être étanches à l'air et provoquer la suffocation. Déposez tous les matériaux d'emballage dans un conteneur à déchets ou faites en sorte que les enfants ne puissent y avoir accès.

1. Retirez temporairement le ruban de la porte.
2. Ouvrez la porte de la laveuse et retirez tout ce qui se trouve dans le tambour.
3. Fermez la porte et posez le ruban de porte à nouveau.
4. Pour protéger le plancher, utilisez un tapis, une couverture ou une pièce de carton et couchez la laveuse sur le côté arrière.

ATTENTION

DANGER DE POIDS EXCESSIF

Pour éviter les blessures au dos ou d'autres types de blessure, demandez l'aide d'autres personnes pour déplacer ou soulever la laveuse.

5. Retirez la base en styromousse et le bouchon d'expédition; mettez-les de côté.
6. Remettez soigneusement la laveuse en position verticale.
7. Déplacez soigneusement la laveuse à moins de 1 m (4 pi) de son emplacement définitif.

IMPORTANT

Conservez la base en styromousse et le bouchon d'expédition afin d'éviter d'endommager l'appareil dans le cas d'un déplacement éventuel.

IMPORTANT

Ne JAMAIS renverser la laveuse pour une raison quelconque.

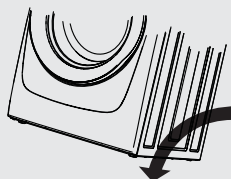
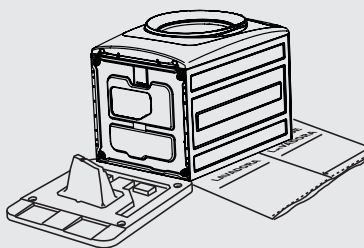
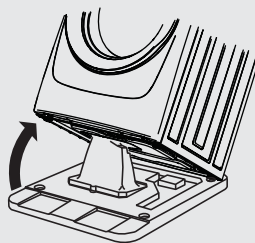
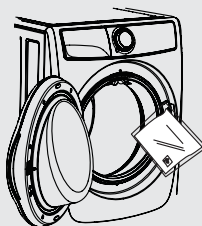
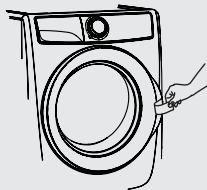
AVERTISSEMENT

RISQUE DE CHOC ÉLECTRIQUE

Certaines pièces internes sont délibérément non mises à la terre et peuvent présenter un risque d'électrocution s'ils sont touchés en cours d'installation.

Ne JAMAIS toucher aux pièces suivantes lorsque l'appareil est sous tension :

- La pompe
- Le moteur d'entraînement
- Les cartes de commande électrique
- Les vannes d'eau

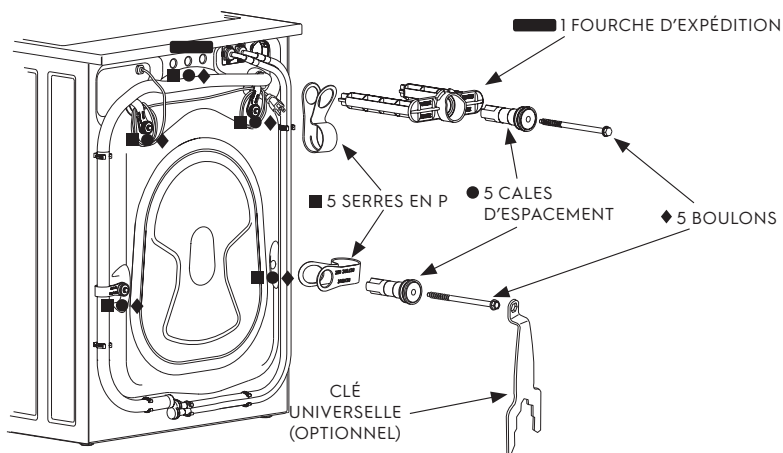


Retrait de la quincaillerie d'expédition

IMPORTANT

Ne pas retirer complètement la quincaillerie d'expédition peut causer des dommages à l'appareil, endommager votre domicile ou donner des résultats de lavage inattendus.

Conservez les boulons et cales d'espacement d'expédition pour un usage ultérieur. Si la laveuse doit être transportée plus tard, ces pièces d'expédition doivent être installées pour éviter de l'endommager.



Retirez les composants suivants :

■ 1 FOURCHE D'EXPÉDITION

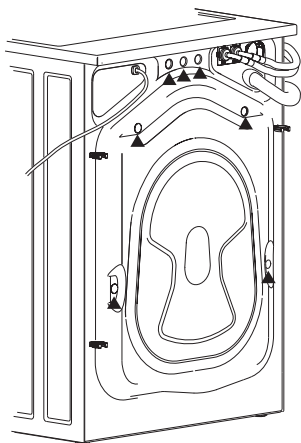
● 5 CALES D'ESPACEMENT

■ 5 SERRES EN P ◆ 5 BOULONS

REMARQUE

Il se peut que le matériel de caoutchouc utilisé pour les espaceurs nécessite quelque temps pour se relâcher afin de pouvoir être retiré des trous d'expédition.

Pose des bouchons



Trouvez les 7 bouchons du petit sac fourni avec les guides de votre laveuse. Insérez-les dans les trous du panneau arrière de la laveuse.

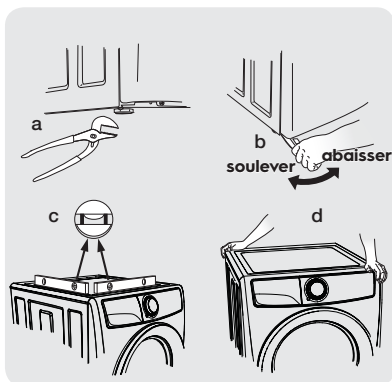


▲ 7 BOUCHONS
(DANS UN SAC)

Mise à niveau de votre appareil

Les bruits excessifs et les vibrations peuvent être évités en mettant correctement la laveuse à niveau.

1. Pour une installation autonome où la laveuse est à moins de 1,2 m (4 pi) de son emplacement définitif, placez un niveau sur le dessus de l'appareil.
2. Utilisez la clé universelle pour ajuster les pieds de mise à niveau de façon à ce que la laveuse soit de niveau d'avant en arrière et latéralement, et qu'elle soit stable aux quatre coins.
3. Appuyez sur chaque coin et chaque côté pour déterminer les endroits qui nécessitent un réglage. Ajustez les pieds de mise à niveau appropriés de manière à ce que la laveuse repose solidement sur ses QUATRE pieds. Gardez les pieds de mise à niveau le plus près possible de la laveuse afin d'optimiser le rendement de la laveuse.

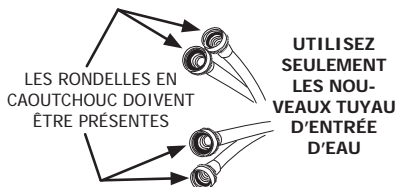


REMARQUE

Pour une installation sur socle, reportez-vous aux instructions d'installation complémentaires incluses avec le socle.

Branchement de l'entrée d'eau

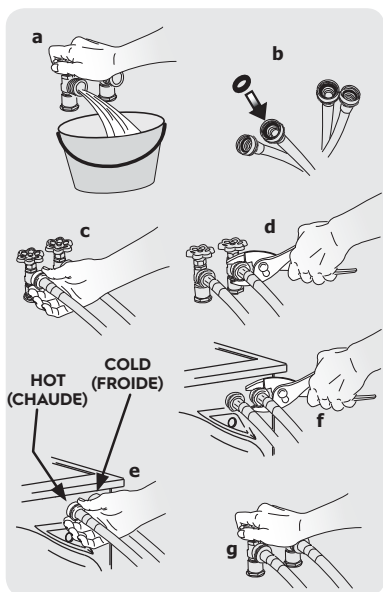
1. Faites couler de l'eau chaude et froide des robinets pour purger les tuyaux d'eau, pour éliminer toute particule qui pourrait obstruer les grillages des robinets, et pour déterminer quels robinets fournissent l'eau chaude et l'eau froide.



REMARQUE

Les tuyaux ne sont pas inclus avec l'achat laveuse. Voir la section « Accessoires » pour divers trousse de tuyaux d'entrée qui pourrait s'adapter à votre installation.

2. Raccordez le tuyau d'entrée d'eau CHAUDE au raccord pour l'eau CHAUDE de la laveuse et le tuyau d'entrée d'eau FROIDE au raccord pour l'eau FROIDE de la laveuse. Serrez fermement à la main. Avec des pinces, serrez chaque raccord de 2/3 de tour. **Ne foussez pas le filetage et ne serrez pas trop.**
3. Branchez le tuyau d'entrée d'eau CHAUDE au robinet d'eau CHAUDE, et le tuyau d'eau d'entrée d'eau FROIDE au robinet d'eau FROIDE. Serrez fermement à la main. Avec des pinces, serrez chaque raccord de 2/3 de tour. **Ne pliez pas, n'entortillez pas et ne coincez pas les tuyaux d'alimentation en eau.**
4. Ouvrir les robinets et s'assurer qu'il n'y a pas de fuite.



Branchement électrique et branchement du tuyau de vidange

1. Valider que le disque anti-siphon est en place.
2. Formez un U à l'extrémité du tuyau de vidange avec le tuyau pointé vers la vidange. Placez l'extrémité recourbée du tuyau de vidange dans une cuve ou la conduite des eaux usées et fixez le tuyau de vidange au moyen d'une attache (incluse dans la trousse d'installation fournie) au tuyau d'évacuation, au tuyau d'entrée, à la cuve à lessive, etc. de façon à ce que le tuyau ne puisse être arraché sous la force de l'eau.

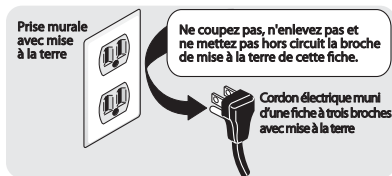
 **REMARQUE**

Le diamètre intérieur de la conduite verticale de vidange doit être d'au moins 3,2 cm (1-1/4 po). Il doit y avoir un brise-vide autour du tuyau de vidange de la conduite verticale. Un tuyau au diamètre trop petit peut entraîner un effet de siphonnage.

 **IMPORTANT**

Assurez-vous que l'alimentation électrique est coupée au disjoncteur ou au boîtier de fusibles avant de brancher le cordon d'alimentation dans une prise électrique.

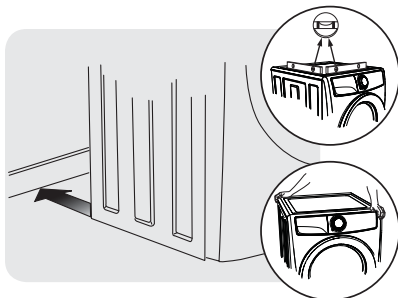
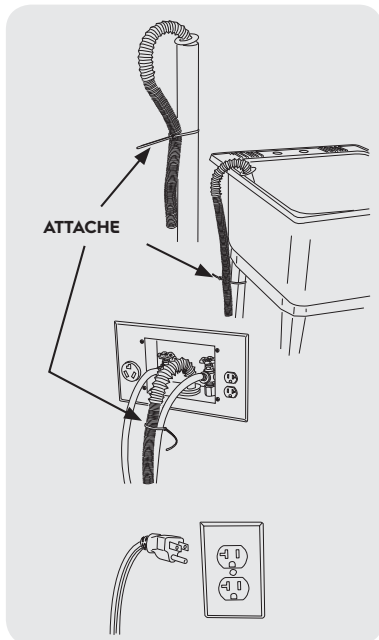
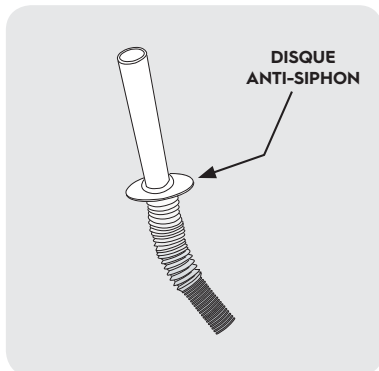
3. Branchez le cordon d'alimentation à la prise électrique mise à la terre.



4. Ouvrez l'alimentation électrique au disjoncteur ou au boîtier de fusibles.
5. Faites glisser soigneusement la laveuse à son emplacement définitif. Vérifiez à nouveau la stabilité de l'appareil. Retirez et jetez le ruban de la porte.
6. Reportez-vous au Guide d'Utilisation et d'Entretien fourni avec la laveuse. Il contient des renseignements très utiles qui vous permettent d'économiser temps et argent.
7. Faites faire un cycle complet à la laveuse. Vérifiez qu'il n'y a aucune fuite et que la laveuse fonctionne correctement.
8. Pour toute question relative à l'utilisation initiale, veuillez revoir la section intitulée « Liste de vérification avant service » de votre Guide d'utilisation et d'entretien avant d'effectuer une demande de service.
9. Laissez ces instructions à proximité de l'appareil pour vous y reporter ultérieurement.

 **REMARQUE**

Un schéma électrique et une fiche technique sont situés sous le panneau supérieur de la laveuse, au-dessus du logement de distributeur de détergent.



IMPORTANT

AVANT D'INVERSER LA PORTE DE VOTRE MACHINE À LAVER :

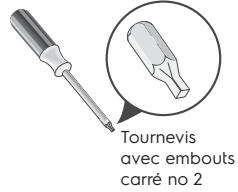
1. Assurez-vous qu'il y a suffisamment d'espace avant d'inverser la porte.
2. Rassemblez vos outils : y compris un tournevis à lame carrée n° 2 et un couteau en plastique (ou un petit outil plat faisant office de levier plat qui ne risque pas d'endommager la peinture).
3. Protégez la surface de travail, comme le dessus de la sècheuse ou le plancher près de la laveuse, avec un chiffon doux ou une serviette.
4. Assurez-vous que la laveuse n'est pas branchée à une source d'alimentation!

AVERTISSEMENT

RISQUE DE CHOC ÉLECTRIQUE

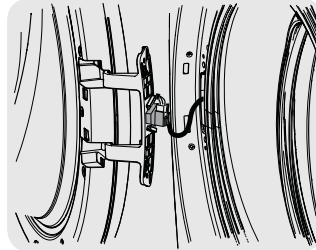
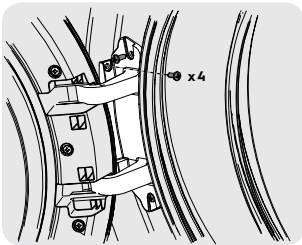
Le fait de ne pas débrancher l'appareil de sa source d'alimentation en électricité avant son entretien peut causer des blessures, voire la mort.

Outils nécessaires pour l'inversion



A) Dépose de l'Assemblage de Porte

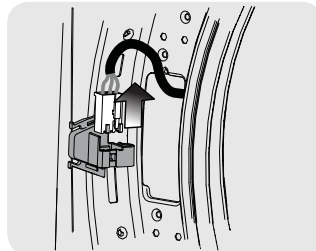
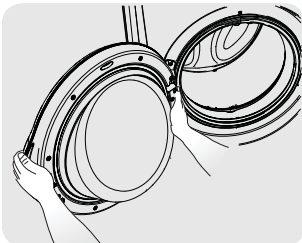
1. Ouvrir complètement la porte pour exposer les quatre vis de charnière.
2. À l'aide du tournevis à lame carrée n° 2, déposer les quatre vis de charnière. Mettre de côté pour la réinstallation.
4. Tout en soutenant la porte d'une main, pincez les languettes pour dégager le couvre-borne en plastique de la plaque de charnière.



3. Saisir la porte des deux mains, une au niveau de la poignée et l'autre près de la charnière. Tout en soutenant la porte de la main au niveau de la charnière, appuyer fermement avec l'autre main jusqu'à ce que les pions de positionnement à l'arrière de la plaque de charnière se disloquent du panneau avant.
5. Déposer la porte face vers le bas sur une surface plate protégée par un chiffon doux ou une serviette.
6. Libérer le faisceau du dispositif de retenue du couvre-borne en plastique. Dégager ensuite la borne du couvre-borne. Mettre de côté pour la réinstallation.

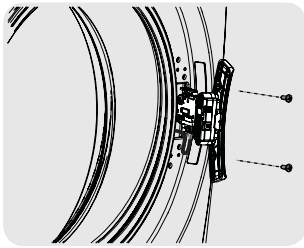
IMPORTANT

S'assurer de ne pas éloigner la porte de la machine à laver avant d'avoir retiré le couvre-bornes du faisceau de câblage.

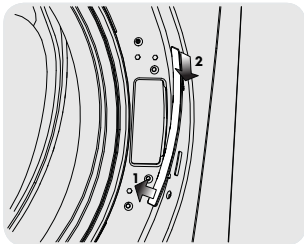


B) Dépose de la Serrure de Porte et son Couvrecle en Plastique

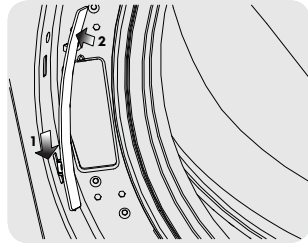
1. Localiser et retirer les deux vis de la serrure de porte. Mettre de côté pour la réinstallation.
2. Faire pivoter la serrure pendant que vous la sortez par le panneau avant. S'assurer de ne pas tirer trop fort ou trop loin tandis que la serrure est toujours retenue par le faisceau de câblage.



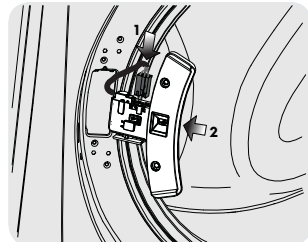
3. Débrancher la borne du faisceau de la serrure de porte. Mettre la serrure de porte de côté pour la réinstallation.
4. Soulever le bas du couvercle en plastique pour le dégager du panneau avant. Vous pourriez devoir utiliser un couteau en plastique qui n'égratigne pas si vous ne parvenez pas le dégager à la main. Faites glisser le couvercle légèrement vers le bas et le retirer du panneau avant.

**C) Réinstaller la Serrure et le Couvrecle de Trou de Serrure**

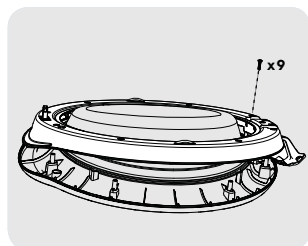
1. Déplacer le couvercle en plastique de l'autre côté du panneau avant. Positionner le couvercle de façon à ce que le « crochet » soit en bas. Insérer le crochet dans la fente inférieure, faire glisser le couvercle vers le bas et pousser les languettes de retenue supérieures dans l'ouverture jusqu'à ce qu'elles s'enclenchent.



2. Insérer le faisceau dans la serrure.
3. Insérer la serrure de porte dans la panneau avant et réinstaller vis de la serrure de porte.

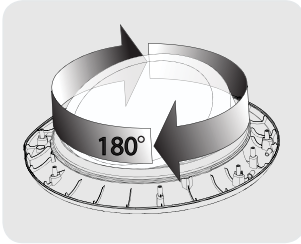
**D) Inverser de l'Assemblage de Porte**

1. Localiser les neuf vis sur l'anneau intérieur de porte. Mettre de côté pour la réinstallation. Retirer la porte intérieure (avec charnière) et mettre de côté avec précaution.

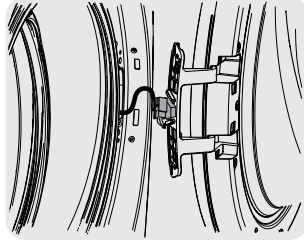


Inverser de l'Assemblage de Porte, (suite)

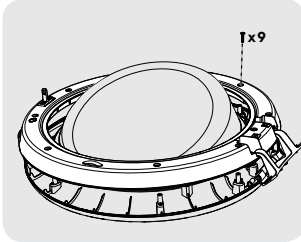
2. Soulever légèrement la porte de verre et faire pivoter de 180 degrés, tout en la reposant sur la porte extérieure. S'assurer que les languettes d'alignement s'engagent.



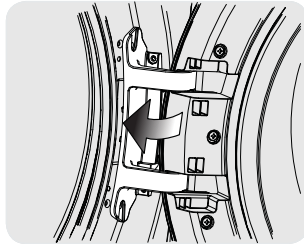
2. Faire glisser le couvre-borne sur la plaque de charnière jusqu'à ce que les languettes s'enclenchent.



3. Réinstaller la porte intérieure sur la porte extérieure avec les neuf vis retirées plus tôt.

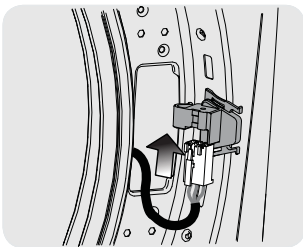


3. Insérer les pions de positionnement de charnière dans le trou précédemment couvert par le couvercle en plastique. Appuyer sur la face de la charnière pour enclencher les autres pions en place.

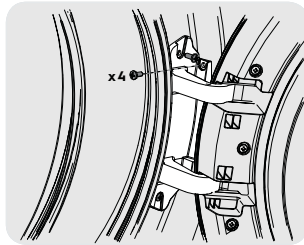


E) Repose de l'Assemblage de Porte

1. Insérer le faisceau dans le couvre-borne et l'enrouler sur son support.



4. Réinstallez les quatre vis retirées précédemment.



E) Vérifier le Fonctionnement de la Porte Inversée

1. Assurer une ouverture sans problème et le verrouillage à la fermeture.
2. Brancher la machine à laver et fermer la porte. Valider le verrouillage de la porte en lançant un cycle d'essai : la serrure doit s'engager et il doit être impossible d'ouvrir la porte avant la fin ou l'annulation du cycle.

Accessoires

SOCLE DE RANGEMENT ASSORTI*

Socle Blanc - PIÈCE N° EPWD157SIW
Socle Titane - PIÈCE N° EPWD157STT

Un socle de rangement, conçu expressément pour cette laveuse, peut être utilisé afin de soulever votre appareil, facilitant ainsi son utilisation. Le socle ajoute environ 38,1 cm (15 po) à votre sècheuse.

*Il se peut que d'autres couleurs soient disponibles. Communiquez avec le marchand qui vous a vendu votre laveuse.

NÉCESSAIRE DE SUPERPOSITION DE SÈCHEUSE

PIÈCE N° STACKIT7X

Selon le modèle que vous avez acheté, il se peut qu'un nécessaire pour superposer cette sècheuse sur une laveuse assortie ait été inclus dans l'achat initial de votre sècheuse. Si votre modèle ne comprenait pas de nécessaire de superposition ou que vous en désirez un autre, il vous est possible d'en commander un.

KITS TUYAUX D'ALIMENTATION

S'il vous plaît appelez 866-233-8353 (au Canada, 800-265-8352) pour explorer les options de tuyaux d'entrée qui pourrait s'adapter à votre installation spécifiques.

NÉCESSAIRE DE RALLONGE DE TUYAU DE VIDANGE

PIÈCE N° 137098000

Pour atteindre un tuyau d'évacuation qui est trop haut ou trop loin pour la longueur de tuyau fournie, commandez le NÉCESSAIRE DE RALLONGE DE TUYAU DE VIDANGE.

CLÉ D'APPAREIL UNIVERSELLE

PIÈCE N° 137019200

UNE CLÉ D'APPAREIL UNIVERSELLE est offerte pour faciliter le réglage des pieds de sècheuse/laveuse/socle.

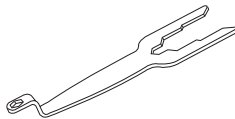
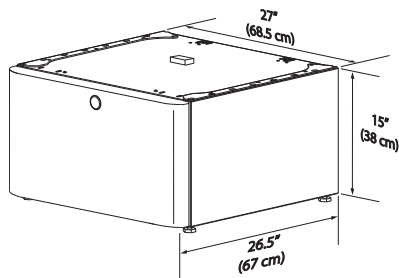
CRAYONS DE PEINTURE DE RETOUCHE*

Blanc - PIÈCE N° 5304468812
Titane - PIÈCE N° 5304475700

*Il se peut que d'autres couleurs soient disponibles. Communiquez avec le marchand qui vous a vendu votre laveuse.

⚠ ATTENTION

Tout défaut d'utiliser les accessoires fabriqués ou certifiés par le fabricant pourrait entraîner des blessures, des dommages aux biens ou à la laveuse.



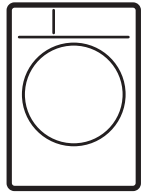
Pièces de rechange aux États-Unis et au Canada :

Pour tout besoin de pièces de remplacement, vous pouvez contacter le détaillant où vous avez acheté votre laveuse, appelez le 1 877 4ELECTROLUX (1 877 435-3287) aux États-Unis ou le 1 800 265-8352 au Canada, ou visitez notre site Web sur www.electroluxappliances.com pour le distributeur de pièces ÉLECTROLUX autorisé le plus près de chez vous.

⚠ AVERTISSEMENT

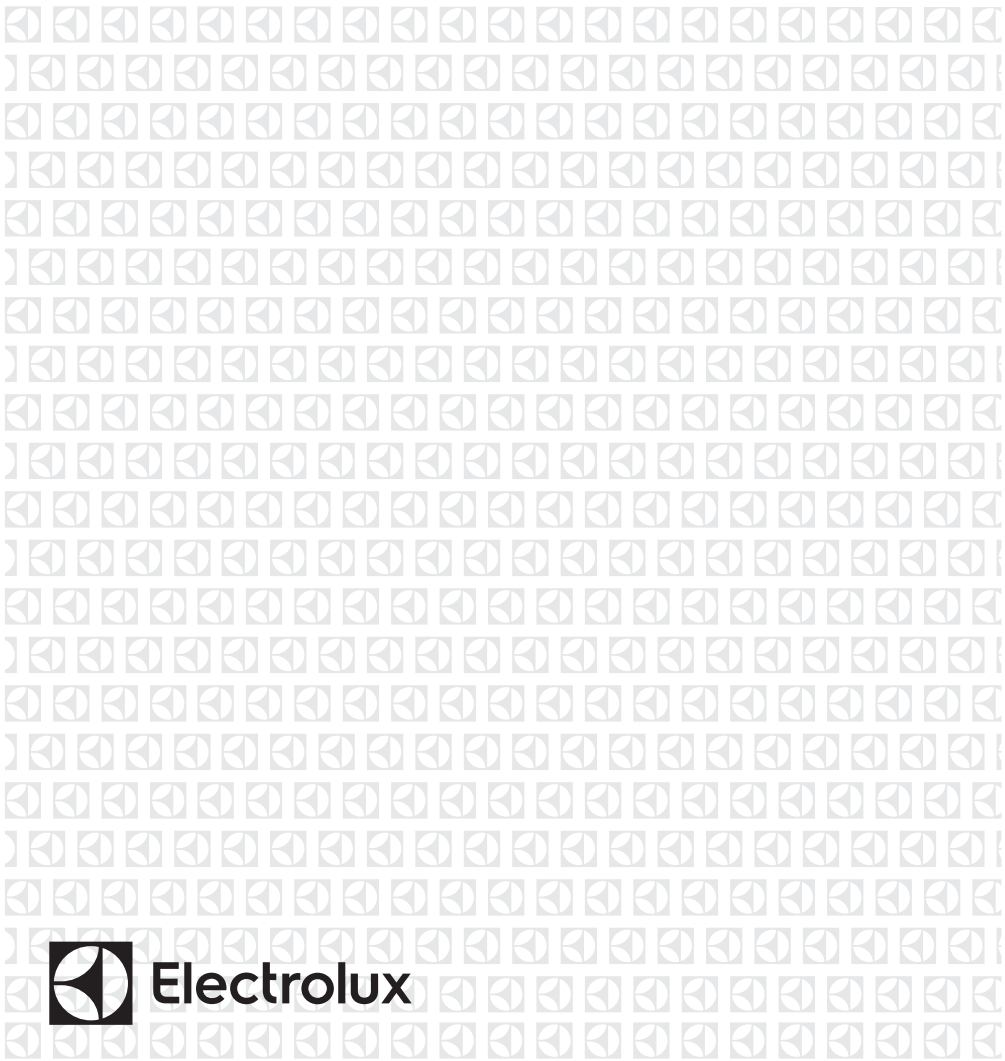
RISQUE ÉLECTRIQUE

Étiquetez tous les fils avant de les débrancher pendant l'entretien des commandes. Des erreurs de câblage pourraient nuire au bon fonctionnement de l'appareil, et même être dangereuses. Vérifiez le bon fonctionnement de l'appareil après tout entretien.



EN FRONT LOAD WASHER
FR LAVEUSE À CHARGEMENT FRONTAL
ES LAVADORA DE CARGA FRONTAL

INSTALLATION INSTRUCTIONS
INSTRUCTIONS D'INSTALLATION
INSTRUCCIONES DE INSTALACIÓN



ADVERTENCIA

Para su seguridad, debe seguir la información de esta guía para minimizar el riesgo de incendio o explosión o para evitar daños a la propiedad, lesiones personales o incluso la muerte. No almacene ni utilice gasolina ni otros líquidos o vapores inflamables cerca de este o de cualquier otro electrodoméstico.

Identificación de los símbolos, palabras y avisos de seguridad

Las indicaciones de seguridad incluidas en este manual aparecen precedidas de un aviso titulado “ADVERTENCIA” o “PRECAUCIÓN”, de acuerdo con el nivel de riesgo.

ADVERTENCIA

Este símbolo le advierte sobre situaciones que pueden causar lesiones personales graves, la muerte o daños materiales.

PRECAUCIÓN

Este símbolo le advierte sobre situaciones que pueden causar lesiones personales o daños materiales.

ADVERTENCIA

PELIGRO DE INCENDIO - Lea las siguientes instrucciones antes de instalar y utilizar este electrodoméstico:

- Después de desembalar la lavadora, destruya los cartones y las bolsas de plástico. Los niños podrían utilizarlos para jugar. Los cartones cubiertos con alfombras, cubrecamas, o láminas de plástico pueden convertirse en cámaras de aire herméticamente cerradas y provocar asfixia. Coloque todos los materiales en un basurero o manténgalos fuera del alcance de los niños.
- Para su seguridad, debe seguir la información de esta guía para minimizar el riesgo de incendio o explosión o para evitar daños a la propiedad, lesiones personales o incluso la muerte. No almacene ni utilice gasolina ni otros líquidos o vapores inflamables cerca de este o de cualquier otro electrodoméstico.
- Instale la lavadora de ropa de acuerdo con las instrucciones del fabricante y los códigos locales.
- La reparación eléctrica de la lavadora debe cumplimentar los códigos y las ordenanzas locales y la última edición del Código Eléctrico Nacional (National Electrical Code), el ANSI/NFPA 70, o bien en Canadá, el CSA C22.1 del Código Eléctrico de Canadá (Canadian Electrical Code) Parte 1.
- Para evitar lesiones en la espalda u otro tipo de lesiones, procure levantar o mover la lavadora con la ayuda de más de una persona.
- No apile la secadora sobre la lavadora si ya está instalada sobre un pedestal. No apile la lavadora sobre la secadora. No apile la lavadora sobre otra lavadora.
- Las instrucciones de esta guía y todo el material que se incluye con esta secadora no tienen como propósito cubrir todas las condiciones y situaciones que puedan presentarse. Cuando instale, opere o repare cualquier artefacto DEBE tener cuidado y hacer uso de buenas prácticas de seguridad.

Conserve estas instrucciones para referencia futura.

Índice

Instrucciones Importantes de Seguridad.....	2	Instrucciones de Instalación.....	9-10
Requisitos de Instalación	3-6	Inversión de la Puerta.....	11-14
Desembalaje de la Lavadora	7-8	Opciones.....	15

Lea y conserve esta guía

Gracias por elegir **Electrolux**, la marca de alta calidad de electrodomésticos para el hogar. Estas instrucciones de instalación forman parte de nuestro compromiso de satisfacer al cliente y de ofrecer un producto de calidad a lo largo de la vida útil de su nuevo electrodoméstico.

¿Preguntas?

Para obtener asistencia telefónica gratuita en los Estados Unidos: 1-877-4ELECTROLUX (1-877-435-3287). Para obtener asistencia e información en línea sobre el producto, visite: www.electroluxappliances.com.

Lista de verificación de instalación

Ferretería de envío y transporte

- Se retiró y guardó el soporte de espuma de empaque (debajo de la tina de lavado)
- Se retiraron y guardaron los pernos y espaciadores de la parte trasera del electrodoméstico
- Se instalaron los tapones (empacados en una bolsa en el interior del tambor) en los agujeros de la lámina trasera

Nivelación

- La lavadora está nivelada de lado a lado y de adelante hacia atrás
- El lavadora descansa firmemente sobre sus cuatro esquinas

Suministro de agua

- Utilice solamente las mangueras nuevas y verifique que los empaques de hule estén presentes.
- Se conectó el suministro de agua CALIENTE a la admisión de agua CALIENTE y el suministro de agua FRÍA a la admisión de agua FRÍA
- Se abrió el suministro de agua CALIENTE y FRÍA
- No hay escapes en las conexiones del suministro de agua o en las conexiones de admisión del electrodoméstico - vuelva a verificar a las 24 horas

Drenaje

- Tubo vertical o drenaje de pared a una altura mínima de 24" (61 cm)
- Compruebe si el disco anti-sifón está colocado en el extremo de la manguera de desagote
- Manguera de drenaje fijada en su lugar con un amarre para cables (empacado en el tambor)

Inversión de la puerta

- Siga las instrucciones detalladas en esta guía
- Pruebe la bisagra y el gancho para asegurarse de que funcionen

Suministro eléctrico

- El suministro eléctrico del hogar está activado
- La secadora está enchufada

Inspección final

- Lea bien las instrucciones de instalación y la guía de uso y cuidado
- La puerta se cierra y el tambor gira cuando se inicia el ciclo
- Tarjeta de registro enviada

Herramientas y materiales necesarios para la instalación:



Mangueras de llenado (x2)

NOTA

Las mangueras no están incluidos con la compra de la lavadora. Vea la sección de "Accesorios" para verificar diferentes kits de mangueras específicas para su instalación.

Requisitos del sistema eléctrico

CIRCUITO - Circuito individual de bifurcación de 15 amp., correctamente polarizado y con conexión a tierra con fusible de retardo de 15 amp. o con interruptor automático.

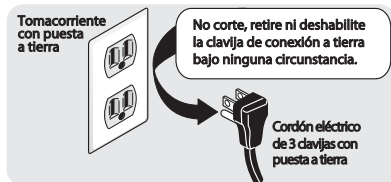
SUMINISTRO ELÉCTRICO: corriente alterna de 2 cables, con conexión a tierra, 120 voltios, monofásica, 60 Hz.

NOTA

Debido a posibles variaciones en el voltaje, no se recomienda utilizar esta lavadora con electricidad generada a partir de generadores a gas, solares, eólicos ni de ninguna otra clase que no sean los empleados por su empresa de electricidad local.

RECEPTÁCULO DEL TOMACORRIENTE

Receptáculo para enchufes de 3 patas con conexión a tierra que debe estar ubicado en un lugar que sea accesible para el cable de alimentación eléctrica cuando la lavadora se encuentre instalada.



Requisitos de conexión a tierra

ADVERTENCIA

PELIGRO DE DESCARGA ELÉCTRICA

Una conexión incorrecta del conductor de conexión a tierra del equipo puede provocar un peligro de descarga eléctrica. Si no está seguro de haber realizado correctamente la conexión a tierra del artefacto, consulte a un electricista autorizado.

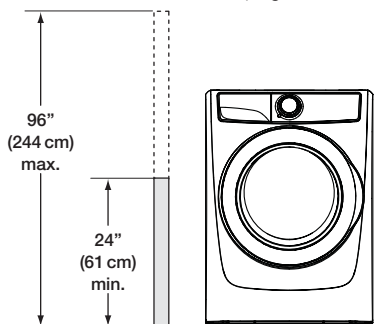
1. La lavadora DEBE tener conexión a tierra. En el caso de que la lavadora no funcione correctamente o se descomponga, la conexión a tierra reduce el riesgo de descarga eléctrica porque ofrece una trayectoria de menor resistencia para la corriente eléctrica.
2. Debido a que la lavadora está equipada con un cable de alimentación eléctrica que cuenta con un conductor de conexión a tierra, el enchufe DEBE estar conectado a un receptáculo adecuado con cable de cobre correctamente instalado y con conexión a tierra, de acuerdo con todos los códigos y las ordenanzas locales o, ante la ausencia de ordenanzas locales, con el Código Eléctrico Nacional (National Electrical Codes), ANSI/NFPA 70 (última edición). Ante cualquier duda, comuníquese con un electricista autorizado. NO corte ni dañe la espiga de conexión a tierra del cable de alimentación eléctrica. En los casos en los que se dispone de un receptáculo de dos ranuras, es responsabilidad del usuario pedir a un electricista autorizado que lo cambie por un receptáculo para enchufes de tres patas con una adecuada conexión a tierra.

Requisitos de la entrada de agua

Los grifos de agua caliente y fría DEBEN instalarse a una distancia no mayor de 107 cm (42 pulgadas) de la entrada de agua de la lavadora. Los grifos DEBEN estar a 1,9 cm (3/4 pulgadas) con rosca para la conexión de la manguera de lavado. La presión de agua DEBE ser de 30 a 120 psi. La diferencia de presión entre el agua caliente y fría no debe superar los 10 psi. El departamento hidráulico puede asesorarlo con respecto a la presión de agua con la que usted cuenta.

Requisitos del sistema de desagüe

1. Desagüe con capacidad para eliminar 64,3 l (17 galones) por minuto.
2. Un tubo vertical con un diámetro mínimo de 3,18 cm (1-1/4 pulg.).
3. La altura del tubo vertical por encima del suelo debe ser:
 Altura mínima: 61 cm (24 pulgadas)
 Altura máxima: 244 cm (96 pulgadas)



NOTA

La manguera de drenaje conectada a la lavadora puede alcanzar un tubo vertical de hasta 201 cm (79 pulgadas) de altura. Si el tubo vertical es más alto, debe utilizar una manguera P/N 137098000, disponible en las distribuidoras autorizadas de repuestos.

Requisitos de despeje

▶ IMPORTANTE

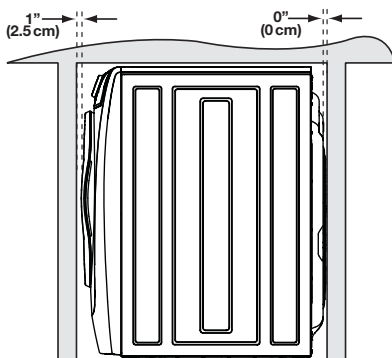
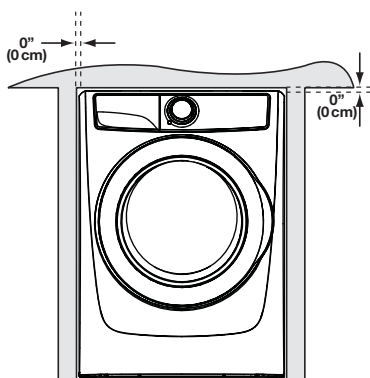
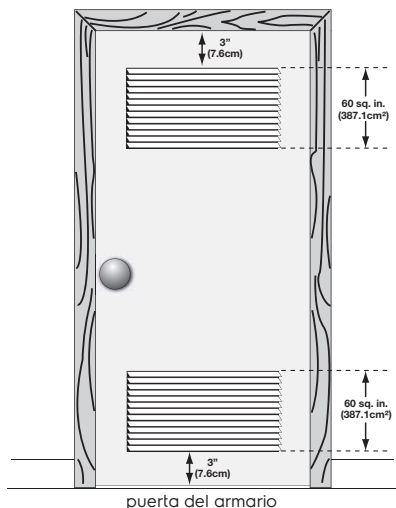
NO INSTALE LA LAVADORA:

1. ...en una zona expuesta a la humedad o a las condiciones climáticas externas.
2. ...en un área (garaje o construcción tipo garaje) en la cual haya o se almacene gasolina u otros productos inflamables. Si la lavadora se instala en un garaje, debe estar a una altura mínima de 18 pulg (45,7 cm) con respecto al piso.
3. ...sobre una alfombra. El piso DEBE ser firme con una pendiente máxima de 2,54 cm (1 pulgada). Para reducir vibraciones o movimientos, puede que sea necesario reforzar el piso.

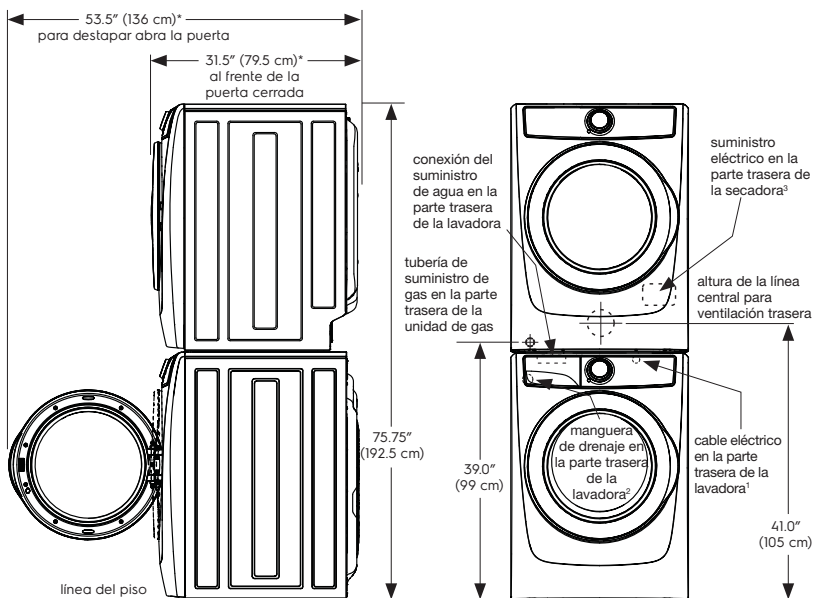
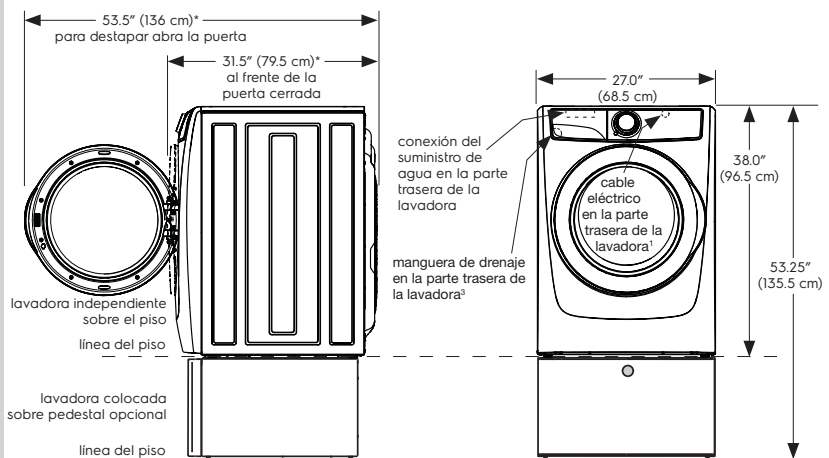
ESPACIOS MÍNIMOS PARA LA INSTALACIÓN: cm (pulgadas)				
	LATERALES	PARTE TRASERA	PARTE SUPERIOR	PARTE DELANTERA
Hueco	0" (0 cm)	0" (0 cm)	0" (0 cm)	n/a
Debajo de la encimera	0" (0 cm)	0" (0 cm)	0" (0 cm)	n/a
Armario	0" (0 cm)	0" (0 cm)	0" (0 cm)	1" (2.5 cm)

Instalación en un Nicho o Armario

Si la lavadora y la secadora se instalan en el mismo armario, será necesaria la ventilación en la puerta de este: Se necesita un mínimo de 774,2 cm² (120 pulgadas²) de abertura, dividido en partes iguales en la parte superior e inferior de la puerta. Las aberturas de ventilación deben estar ubicadas a 7,6 cm (3 pulgadas) de la parte superior e inferior de la puerta. Es necesario que las aberturas de aire no estén obstruidas cuando se instala una puerta. Se acepta una puerta que tenga aberturas de ventilación distribuidas uniformemente en toda la superficie.



Dimensiones de la lavadora



*La conexión de la manguera de entrada de agua en la secadora a vapor añade 3/4" (2 cm) a la profundidad de instalación.

¹La longitud del cable de alimentación de la lavadora es de aproximadamente 152,5 cm (60 in).

²La longitud de la manguera de drenaje de la lavadora es de aproximadamente 150 cm (59 in).

³La longitud del cable de alimentación de la secadora a gas o secadora eléctrica (Canadá) es de aproximadamente 152,5 cm (60 in).

Retiro de la espuma de embalaje

ADVERTENCIA

PELIGRO DE ASFIXIA

Después de desembalar la lavadora, destruya los cartones y las bolsas de plástico. Los niños podrían utilizarlos para jugar. Los cartones cubiertos con alfombras, cubrecamas, o láminas de plástico pueden convertirse en cámaras de aire herméticamente cerradas y provocar asfixia. Coloque todos los materiales en un basurero o manténgalos fuera del alcance de los niños.

1. Retire la cinta de la puerta momentáneamente.
2. Abra la puerta de la lavadora y retire todo lo que haya en el tambor.
3. Cierre la puerta y vuelva a colocar la cinta sobre esta.
4. Utilizando una alfombra, frazada o trozo de cartón para proteger el piso, recueste la lavadora cuidadosamente sobre su parte trasera.

PRECAUCIÓN

PELIGRO DE EXCESO DE PESO

Para evitar lesiones en la espalda u otro tipo de lesiones, procure levantar o mover la lavadora con la ayuda de más de una persona.

5. Retire la espuma de poliestireno y el tapón de embalaje, y déjelos a un lado.
6. Vuelva a colocar la lavadora en posición vertical cuidadosamente.
7. Traslade la lavadora con cuidado a fin de colocarla a aproximadamente 1 m (4 pies) de la ubicación final.

IMPORTANTE

Guarde la espuma de poliestireno y el tapón de embalaje para utilizarlos para evitar daños a la lavadora en futuros traslados.

IMPORTANTE

NO invierta la lavadora con su parte superior hacia abajo por ningún motivo.

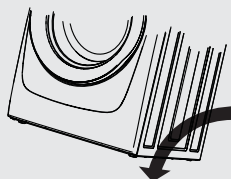
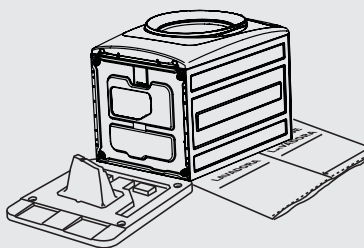
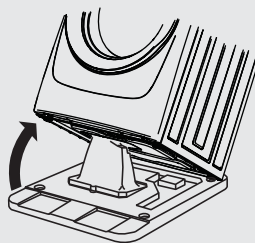
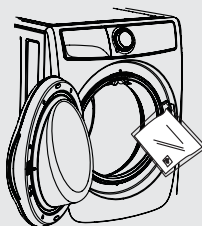
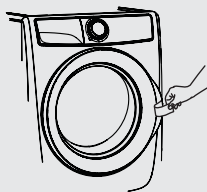
ADVERTENCIA

PELIGRO DE DESCARGA ELÉCTRICA

Ciertas partes internas no están conectadas a tierra intencionalmente, y podrían presentar riesgos de descargas eléctricas si se las toca durante la instalación.

No toque las siguientes partes mientras el artefacto está conectado:

- Bomba
- Motor de accionamiento
- Tableros de control eléctrico
- Válvulas de agua

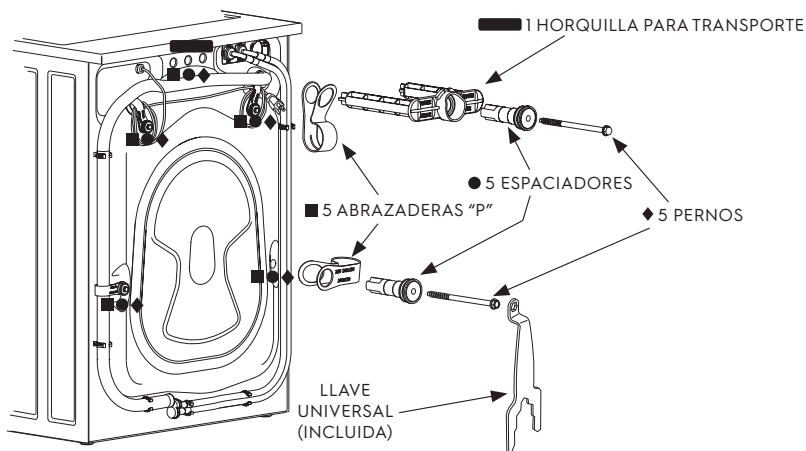


Retiro del embalaje de protección

IMPORTANTE

La falta de remoción completa de los pernos y accesorios de embalaje podría resultar en daños en el artefacto, daños a su casa o resultados de lavado inesperados.

Guarde todos los pernos y espaciadores de embalaje para su uso posterior. Si se va a transportar la lavadora más adelante, deberá colocar el embalaje de protección nuevamente para evitar que se produzcan daños durante el traslado.



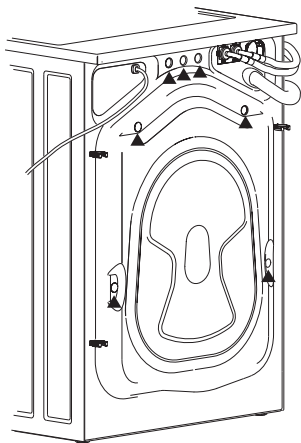
Retire lo siguiente:

- 1 HORQUILLA PARA TRANSPORTE
- 5 ESPACIADORES
- 5 ABRAZADERAS "P" ◆ 5 PERNOS

NOTA

Es posible que el material de goma en los espaciadores necesite tiempo para suavizarse antes de poder tirar de él a través de los agujeros del empaque.

Instalación de los tapones para agujeros



Ubique los 7 tapones para agujeros en la pequeña bolsa que viene con las guías de instrucciones de la lavadora. Insértelos en los agujeros del panel trasero de la lavadora.

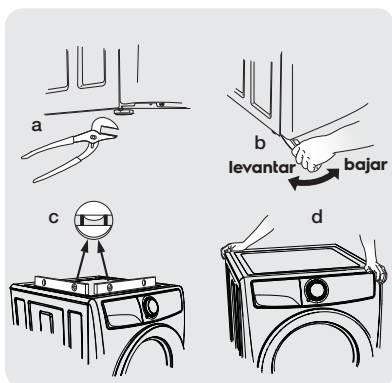


▲ 7 TAPONES PARA AGUJEROS (EN BOLSA)

Nivelación de la lavadora

Las vibraciones y el ruido excesivo se pueden evitar nivelando la lavadora correctamente.

1. Para una instalación independiente de la unidad, con la lavadora a aproximadamente 1 m (4 pies) de la ubicación final, coloque un nivel en la parte superior de esta.
2. Utilice las pinzas ajustables para ajustar las patas niveladoras de modo que la lavadora esté nivelada en relación con todos sus lados, atrás/adelante y derecha/izquierda, y estabilizada en las cuatro esquinas.
3. Presione hacia abajo las distintas esquinas y lados para asegurarse de que no haya vibración alguna. Ajuste las patas correspondientes de modo que la lavadora descansa firmemente en el piso sobre las CUATRO patas. Mantenga la extensión de las patas niveladoras al mínimo para un mejor rendimiento de la lavadora.

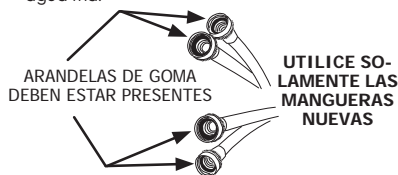


NOTA

Para instalar un pedestal, consulte las instrucciones de instalación adicionales que vienen con dicho producto.

Conexión del suministro de agua de entrada

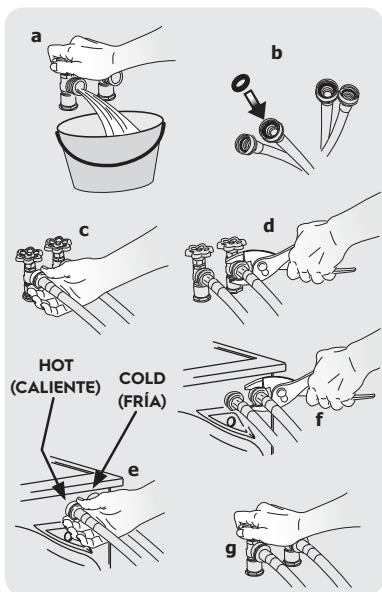
1. Haga correr un poco de agua de los grifos de agua caliente y fría para enjuagar los caños de agua y eliminar las partículas que puedan obstruir los filtros de la llave de paso y para determinar cuál canilla corresponde al suministro de agua caliente y cuál al de agua fría.



NOTA

Las mangueras no están incluidos con la compra de la lavadora. Vea la sección de "Accesorios" para verificar diferentes kits de mangueras específicas para su instalación.

2. Conecte la manguera de suministro de agua CALIENTE a la conexión de admisión de agua CALIENTE de la lavadora y la manguera de suministro de agua FRÍA a la admisión de agua FRÍA de la lavadora. Ajustelas con la mano hasta que queden firmes. Luego ajuste ambas conexiones de suministro de agua 2/3 más de vuelta con la pinza. **No ensaque ni ajuste demasiado estas conexiones.**
3. Conecte la manguera de entrada de agua CALIENTE al suministro de agua CALIENTE y la manguera de entrada de agua FRÍA al suministro de agua FRÍA. Ajustelas con la mano hasta que queden firmes. Luego ajuste ambas conexiones de suministro de agua 2/3 más de vuelta con la pinza. **No doble, tuerza o presione las mangueras de admisión de agua.**
4. Abra el grifo y verifique que no haya fugas.



Conexión del desagüe y del suministro eléctrico

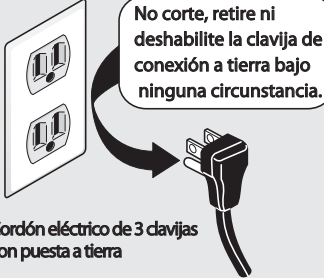
1. Compruebe si el disco anti-sifón está colocado.
2. Forme una "U" en el extremo del tubo de drenaje co el tubo señalando hacia el drenaje. Coloque el extremo formado del tubo de drenaje en lavadero o una tubería vertical y fije la manguera de drenaje con el amarre para cables (que viene en la caja) al tubo vertical, la manguera de entrada, la tina del lavadero, etc. para que no se salga por la fuerza del agua.

IMPORTANTE

Revise la caja del interruptor automático/fusibles para asegurarse de que la electricidad esté desconectada antes de conectar el cable de alimentación al tomacorriente.

3. Conecte el cable de alimentación a un tomacorriente con conexión a tierra.

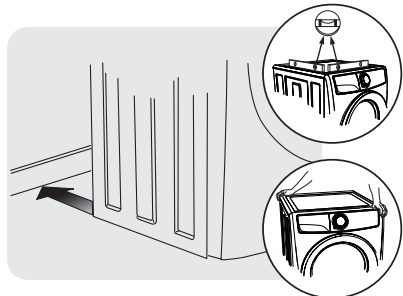
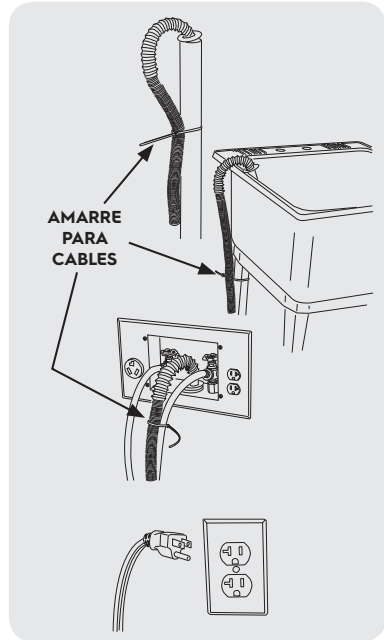
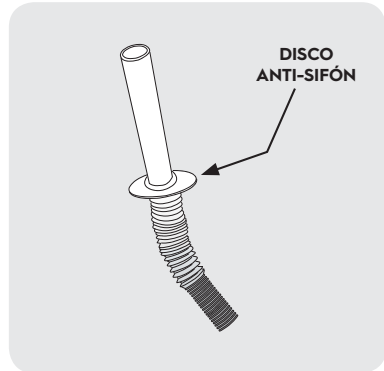
Tomacorriente con puesta a tierra



4. Conecte la electricidad desde la caja del interruptor automático/fusibles.
5. Deslice la lavadora a su posición final cuidadosamente. Vuelva a verificar que la lavadora esté nivelada y estabilizada.
6. Consulte la Guía de uso y cuidado que se proporciona con la lavadora. Dicha guía contiene información útil y valiosa que le ahorrará tiempo y dinero.
7. Haga funcionar la lavadora durante un ciclo completo. Compruebe que no haya fugas de agua y que funcione correctamente.
8. Si tiene alguna pregunta durante el funcionamiento inicial, repase la "Lista de control para evitar el servicio técnico" de su Guía de uso y cuidado antes de llamar al servicio técnico.
9. Coloque estas instrucciones cerca de la lavadora para referencia futura.

NOTA

Debajo del panel superior de la lavadora, sobre el compartimento para distribución del detergente, encontrará una hoja de información técnica y un diagrama de cableado.



IMPORTANTE

ANTES DE INVERTIR LA PUERTA DE SU LAVADORA:

1. Asegúrese de que haya suficiente espacio de giro antes de invertir la puerta.
2. Reúna sus herramientas - incluso un destornillador con una punta cuadrada #2 y cuchillo de plástico (o pequeña herramienta chata para hacer palanca sin dañar la pintura).
3. Proteja las superficies de trabajo planas, como la parte superior de la lavadora o el piso cerca de esta utilizando un paño o toalla suave.
4. ¡Asegúrese de que la secadora esté desenchufada del suministro eléctrico!

ADVERTENCIA

PELIGRO DE DESCARGA ELÉCTRICA

El no desconectar el suministro eléctrico antes de realizar cualquier reparación puede ocasionar lesiones personales o incluso la muerte.

Las herramientas necesarias para la reversión



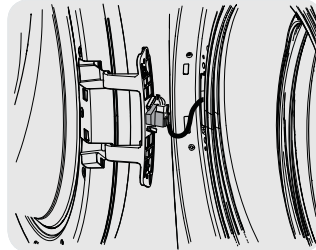
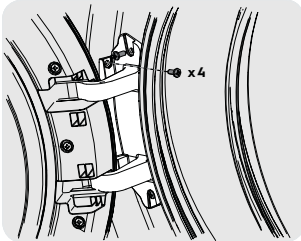
Destornillador con plana #2



Cuchillo de plástico

A) Retirar el Conjunto de Puerta

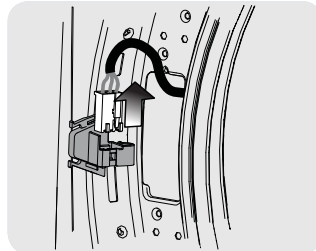
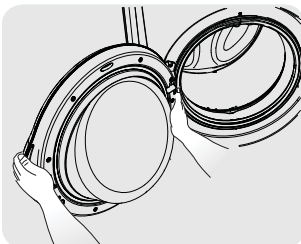
1. Abra completamente la puerta para que queden a la vista los cuatro tornillos de la bisagra.
2. Retire los cuatro tornillos de las bisagras con el destornillador cuadrado #2. Guárdelos para reinstalarlos después.
4. Mientras sostiene la puerta con una mano, presione las pestañas para liberar la tapa plástica del terminal de la placa de la bisagra.



3. Tome la puerta con ambas manos -una sosteniendo la zona de la manija y la otra en la zona de la bisagra. Mientras sostiene la puerta con la mano que está en la manija, presione firmemente con la otra mano hasta que los vástagos de localización de la parte posterior de la placa de la bisagra se desacoplen del panel frontal.
5. Coloque la puerta con el frente hacia abajo sobre una superficie plana y protegida con una tela o toalla suave.
6. Libere el arnés de conexiones del retén de la tapa plástica del terminal. Luego, libere el terminal de la tapa del terminal. Guarde la tapa para reinstalarla después.

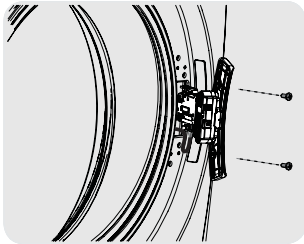
IMPORTANTE

Tenga cuidado de no retirar la puerta de la lavadora hasta que pueda quitar la tapa del terminal del arnés de cableado.

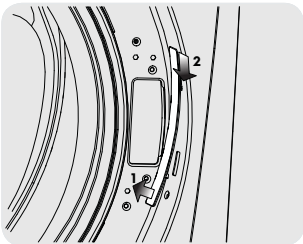


B) Retirar la Cerradura de la Puerta y la Tapa de Plástico del Agujero

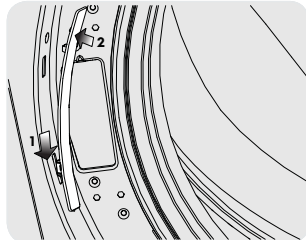
1. Localizar y retirar ambos tornillos de la cerradura de la puerta. Guarde los tornillos para después.
2. Rote la cerradura a medida que jala de ella a través del panel frontal. Tenga cuidado de no jalar con demasiada fuerza o demasiado lejos ya que la cerradura está todavía unida al arnés de cableado.



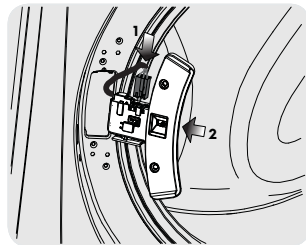
3. Desconectar el terminal del arnés de cableado de la cerradura de la puerta. Colocar a un lado la cerradura de la puerta para reinstalarla después.
4. Levantar haciendo palanca la parte inferior de la tapa de plástico del agujero para liberarla del panel frontal. Es posible que deba usar un cuchillo de plástico que no raye, si no puede liberarla manualmente. Deslice levemente la tapa hacia abajo y retírela del panel frontal.

**C) Reinstalar la Cerradura y la Tapa del Agujero**

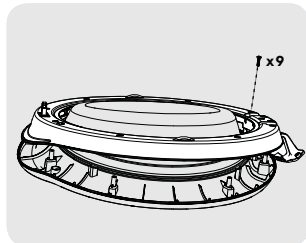
1. Mueva la tapa de plástico al otro lado del panel frontal. Coloque la tapa de manera que el "gancho" esté abajo. Inserte el gancho en la ranura inferior; deslice la tapa hacia abajo y presione las pestañas superiores de retención en la abertura hasta que de golpe queden fijas en su lugar.



2. Inserte el arnés de cableado en la cerradura de la puerta.
3. Inserte cerradura de la puerta en el panel anterior y volver a instalar los tornillos de la cerradura de la puerta.

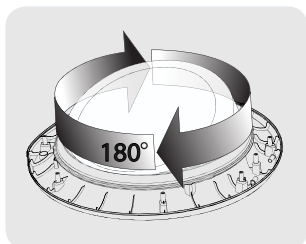
**D) Inversión el Conjunto de Puerta**

1. Localice los nueve tornillos en el anillo de la puerta interior. Retire cada uno de ellos y guárdelos para reinstalarlos más tarde. Retire la puerta interior (con la bisagra) y apártela con cuidado.

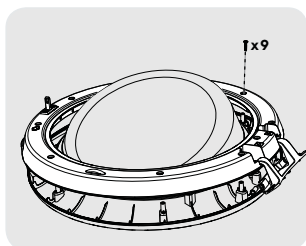


Inversión el Conjunto de Puerta, continuación

- Levante levemente el vidrio de la puerta y hágalo rotar 180 grados, y vuelva a colocarlo en la puerta exterior. Asegúrese de que las pestañas de alineación se vuelven a acoplar.

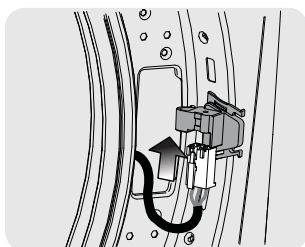


- Reinstale la puerta interior sobre la puerta exterior con los nueve tornillos que retiró antes.

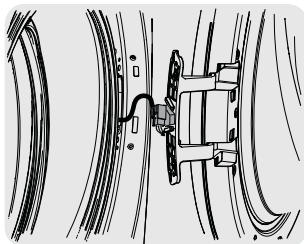


E) Reinstalar el Conjunto de Puerta

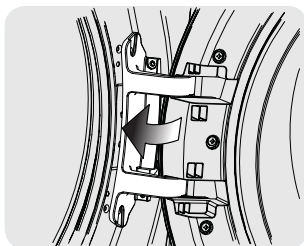
- Inserte el terminal del arnés de cableado en la tapa del terminal y coloque el arnés dentro del retén.



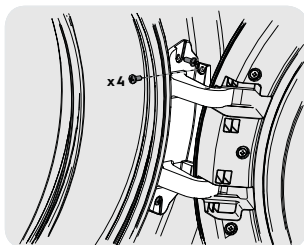
- Deslice la tapa del terminal sobre la parte posterior de la placa de la bisagra hasta que las pestañas queden fijas de golpe en su lugar.



- Inserte los vástagos de localización en los agujeros que previamente estaban cubiertos por la tapa de plástico del agujero. Presione sobre la cara anterior de la bisagra para hacer que los otros vástagos de localización se encajen en su lugar.



- Reinstale los cuatro tornillos que retiró antes.



E) Verifique el Funcionamiento de la Puerta Invertida

- Pruebe si la puerta gira libre y suavemente y si el pestillo queda asegurado cuando se cierra.
- Enchufe la lavadora y cierre la puerta. Compruebe el funcionamiento correcto de la cerradura de la puerta iniciando un ciclo de prueba: la cerradura debe bloquearse, y la puerta no debe poder abrirse hasta que el ciclo se pause o cancele.

Accesorios

PEDESTAL DE ALMACENAMIENTO CONCORDANTE*

Pedestal de color Blanco - Pieza No. EPWD157SIW
Pedestal de color Titanio - Pieza No. EPWD157STT

Un accesorio de pedestal de almacenamiento, especialmente diseñado para esta lavadora, se puede utilizar para elevar la unidad y facilitar su uso. Dicho pedestal agregará aproximadamente 38,1 cm (15 pulgadas) a la altura de su unidad.

*Es posible que hayan otros colores disponibles. Póngase en contacto con el distribuidor donde adquirió la lavadora.

KIT DE SECADORA PARA CENTRO DE LAVADO

Pieza No. STACKIT7X

Dependiendo del modelo que haya comprado, es posible que esta secadora incluya un kit para instalarla sobre la lavadora correspondiente. Si el modelo que adquirió no incluye un kit de instalación sobre la lavadora o desea un kit diferente, puede pedir uno.

KITS DE MANGUERAS LLENADO

Por favor llame al 866-233-8353 para explorar las opciones de la manguera del kit que satisfagan sus necesidades específicas de instalación.

KIT DE EXTENSIÓN DE LA MANGUERA DE DRENAJE

Pieza No. 137098000

Para alcanzar alturas o distancias del tubo vertical que superen la longitud de la manguera de drenaje provista, solicite el KIT DE EXTENSIÓN DE LA MANGUERA DE DRENAJE.

LLAVE UNIVERSAL PARA ELECTRODOMÉSTICOS

Pieza No. 137019200

También puede pedir una LLAVE UNIVERSAL PARA ELECTRODOMÉSTICOS para ayudarlo a ajustar las patas de las secadoras, lavadoras o pedestales.

MARCADORES DE PINTURA DE RETOQUE

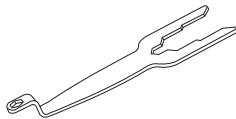
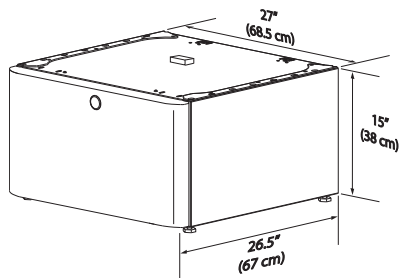
Blanco - Pieza No. 5304468812

Titanio - Pieza No. 5304475700

*Es posible que hayan otros colores disponibles. Póngase en contacto con el distribuidor donde adquirió la lavadora.

⚠ PRECAUCIÓN

El no utilizar accesorios fabricados (o aprobados) por el fabricante puede ocasionar lesiones personales, daños a la propiedad o daños a la lavadora.



Piezas de repuesto en EE. UU. y Canadá

En caso de necesitar piezas de repuesto para su lavador, puede contactar al proveedor donde compró su lavadora, llamar a 1-877-4ELECTROLUX (1-877-435-3287) en los EE. UU. o a 1-800-265 8352 en Canadá, o visite nuestro sitio web, www.electroluxappliances.com, para que se le indique el Distribuidor Autorizado de Piezas Electrolux más cercano a su domicilio.

⚠ ADVERTENCIA

PELIGRO DE DESCARGA ELÉCTRICA

Cuando se reparen los controles, rote todos los cables antes de desconectarlos. Los errores de cableado pueden producir un funcionamiento incorrecto y peligroso. Verifique que el funcionamiento es correcto después de realizar las reparaciones.

electrolux.com/shop

