

# Under-Counter Ice Maker

## EI15IM55GS



### Large Capacity

Stores up to 30 pounds of restaurant-style ice cubes—and can make up to 60 pounds of ice in a 24-hour period.



### Frost-Free Operation

The freezer defrosts itself so you don't have to.



### Electronic Controls

Simple-to-use electronic controls schedule ice production throughout the day or night to meet specific ice demands.



### Self-Cleaning

The simple 3-step cleaning cycle safely removes the minerals and contaminants left behind from the "Fractional freezing" process, keeping ice pure and fresh.

### 15" UNDER-COUNTER ICE MAKER

Capacity	Up to 30 Lbs.
Installation Type	Built In/Freestanding

#### Features

IQ-Touch™ Electronic Controls	Yes
Daily Ice Production	Up to 60 Lbs.
Clear Ice Cubes	Yes
Ice Cube Size	7/8"
Ice Cubes Produced per Cycle	32
3-Step Self-Cleaning Process	Yes
Self-Cleaning of Mineral Deposits	Yes
Commercial Grade Heavy-Duty Circulation Pump	Yes
Frost-Free Performance	Yes
UltraQuiet Plus™ Sound Insulation Package	Yes

#### Additional Features

Signature Soft-Arc Door and Handle Design	Yes
Field-Reversible Door	Yes
Luxury-Close™ Door	Yes
Adjustable Leveling Legs	4
Sabbath Mode (Star-K® Certified)	Yes

#### Accessories

Ice Scoop	Included
Cleaning Kit - PN# EIM41978	Optional
Drain Pump Kit - PN# EIMP60 (to be used if gravity-assisted drain is not available)	Optional

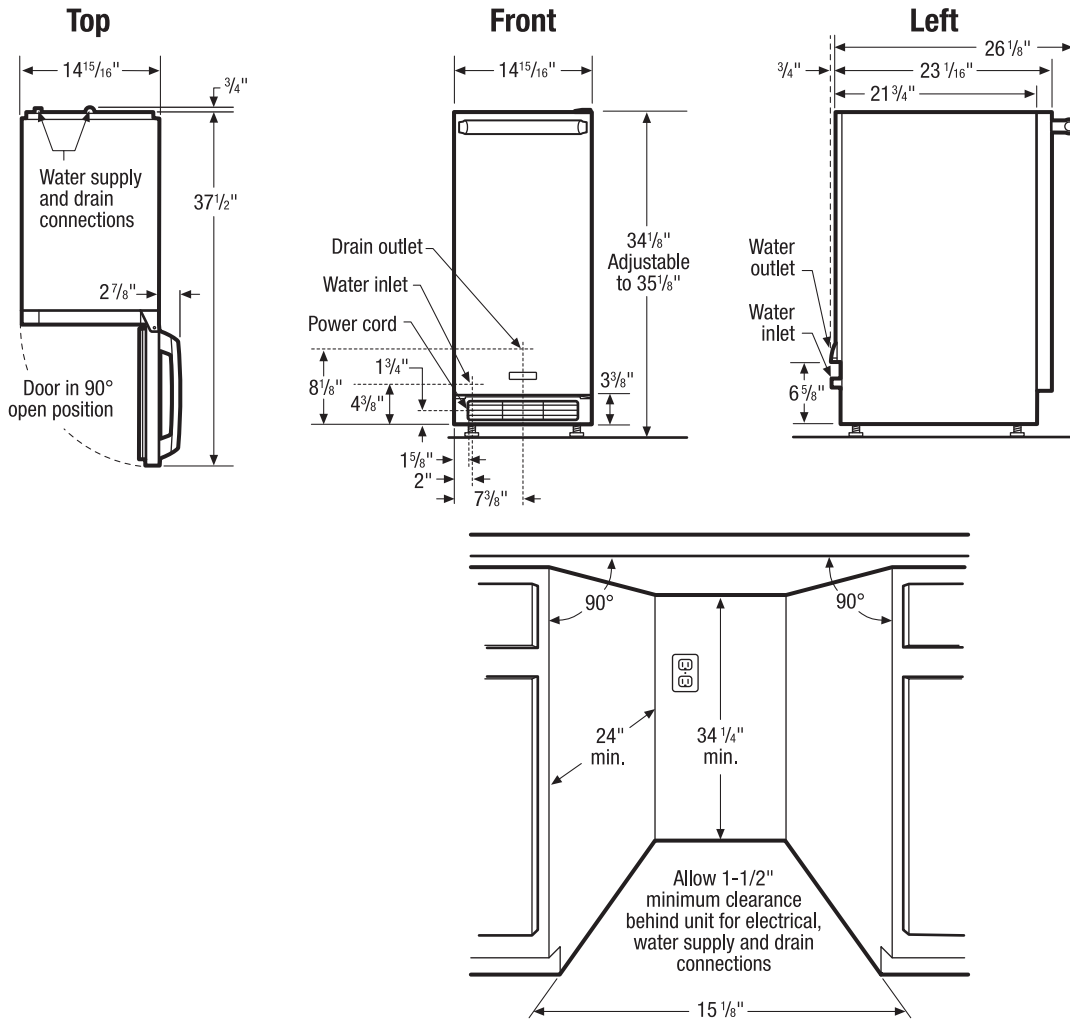
#### Specifications

Color -	Stainless Steel	S
Product Dimensions -	Height (Adjustable)	34-1/8" - 35-1/8"
	Width	14-15/16"
	Depth (Including Water Hookup)	23-13/16"
	(Including Water Hookup with 90° Door Open)	38-1/4"
Power Supply/ Water Inlet Location		Left Bottom Rear
Voltage Rating		120V/60Hz/15A
Connected Load (kW Rating) @ 120 Volts†		0.48
Minimum Circuit Required (Amps)		15
Gravity Assisted Drain		Required
Shipping Weight (Approx.)		109 Lbs.

†For use on adequately wired 120V, dedicated circuit having 2-wire service with a separate ground wire. Appliance must be grounded for safe operation.

NOTE: Always consult local and/or national electric codes. Refer to Product Installation Guide for detailed installation instructions on the web at [www.electroluxappliances.ca](http://www.electroluxappliances.ca).

Specifications subject to change.



## Under-Counter Ice Maker Specifications

- Product Weight – 100 Lbs.
- Voltage Rating – 120V/60Hz/15 Amps
- Connected Load (kW Rating) @ 120 Volts = 0.48kW (For use on adequately wired 120V, dedicated circuit having 2-wire service with a separate ground wire. Appliance must be grounded for safe operation.)
- Run Amps @ 120 Volts=4 Amps/Harvest Amps @ 120 Volts=5.5 Amps
- Electrical cable supplied.
- Water supply and electrical power source required.
- Always consult local and national electric & plumbing codes.
- Unit is designed for either freestanding or built-in, under-counter installation.
- Built-in, under-counter installation does not require additional airspace for top, sides or rear of unit.
- Allow 1-1/2" minimum clearance behind unit for electrical, water supply and drain connections.
- Front grille MUST remain unobstructed for proper ventilation.
- Can be installed using gravity drain or optional Drain Pump Kit (PN# EIMP60).
- Drain lines must have 5/8" inside diameter, 1" drop per 48" (1/4" per foot) of run and must not create traps.
- Floor drain must be large enough to accommodate drainage from all drains.
- Recommended water pressure between 30 and 120 pounds per square inch (psi).
- Unit MUST be level for proper operation, and positioned on flat surface, capable of supporting entire weight when fully loaded.
- Leveling legs supplied to adjust height and level unit.
- Can be installed outdoors, out of direct sunlight. Do NOT install behind closed doors.
- Do not position unit near any heat source or in direct sunlight to ensure optimum performance. Surrounding air temperature must be at least 50°F but must not exceed 110°F.
- Unit requires zero clearance when installing flush with cabinet or wall.
- When installing against cabinet or wall that extends beyond front edge of unit, 2-7/8" minimum handle clearance required to allow for 90° door swing, providing sufficient interior access. (Door is field reversible for right- or left-hand opening.)

**Note:** For planning purposes only. Refer to Product Installation Guide on the web at [electroluxappliances.ca](http://electroluxappliances.ca) or supplied with product for detailed instructions.

### Optional Accessories

- Drain Pump Kit – (PN# EIMP60).