

# Built-In Microwave

## EI24MO45I B



Microwave includes choice of 30" or 27" Trim Kit available in 3 colors (shown with 30" Stainless Steel Trim Kit).



Microwave EI24MO45I B with 30" Stainless Steel Trim Kit EI30MO45T S



Microwave EI24MO45I B with 30" White Trim Kit EI30MO45T W



Microwave EI24MO45I B with 30" Black Trim Kit EI30MO45T B



Microwave EI24MO45I B with 27" Stainless Steel Trim Kit EI27MO45T S



Microwave EI24MO45I B with 27" White Trim Kit EI27MO45T W



Microwave EI24MO45I B with 27" Black Trim Kit EI27MO45T B



### Cook-2-Perfection® Technology

Evenly distributes microwave cooking energy throughout the oven's interior for even cooking. A 13" x 9" pan – with handles – can be evenly heated.



### Sure-2-Fit® Capacity

Our 2.0 cu. ft. extra-large microwaves will hold nearly any dish.



### High-Performance Power

With 11 power levels and 1,100 watts, our microwaves are capable of handling even the biggest cooking jobs.

#### BUILT-IN SIDE-SWING DOOR MICROWAVE

|                        |                  |
|------------------------|------------------|
| 30" or 27" Trim Kit    | Order Separately |
| Oven Cavity            | 2.0 Cu. Ft.      |
| Watts                  | 1,100            |
| Oven Interior          | White            |
| Interior Krypton Light | Yes              |
| 16" Glass Turntable    | Yes              |

#### Control Panel Features

|  |     |
|--|-----|
| IQ-Touch™ Electronic Controls  | Yes |
| Front Display with Blue LED  | Yes |
| Electronic Clock & Timer   | Yes |
| Humidity Sensor  | Yes |
| Power Levels   | 11  |
| Touch Pad Controls   | 33  |
| Auto-Start   | Yes |
| Auto-Defrost Options   | 6   |
| Auto-Cook Options –<br>Pizza (1), Snacks (3), Kid's Meals (3), Soften/Melt (4)                           | 11  |
| Auto-Reheat Options –<br>Breads/Muffins (2), Pasta/Casserole (1)   | 3   |
| Beverage (0.5-2.0 Cups)  | Yes |
| Sensor-Cook Options –<br>Cook (5), Reheat, Popcorn, Baked Potato,<br>Frozen Vegetables, Fresh Vegetables | 10  |
| Multi-Stage Cooking Options  | 4   |
| Shortcut Options   | 6   |
| Add 30 Seconds   | Yes |
| Keep Warm  | Yes |
| Custom Help Options  | Yes |
| Panel Lock   | Yes |
| Demo Mode  | Yes |
| Adjustable Sound Level For Timers/Reminders  | Yes |
| More/Less Function   | Yes |
| Power Failure Indicator  | Yes |

#### Additional Features

|                              |     |
|------------------------------|-----|
| Signature Soft-Arc Oven Door | Yes |
| Glass Window                 | Yes |

#### Required Trim Kit Options\*

|                                   |                |
|-----------------------------------|----------------|
| 30" Trim Kit –<br>Stainless Steel | PN# EI30MO45TS |
| White                             | PN# EI30MO45TW |
| Black                             | PN# EI30MO45TB |
| 27" Trim Kit –<br>Stainless Steel | PN# EI27MO45TS |
| White                             | PN# EI27MO45TW |
| Black                             | PN# EI27MO45TB |

#### Specifications

|  |                     |
|--|---------------------|
| Color –  | B                   |
| Oven Cavity Dimensions –                                     |                     |
| Height   | 10-1/2"             |
| Width  | 17-3/8"             |
| Depth  | 18-5/8"             |
| Product Dimensions –   |                     |
| Height   | 18-1/16"            |
| Width (including Trim Kit - 30" / 27")                       | 30" / 27"           |
| Depth (to Center of Arc)                                     | 20-1/16"            |
| Approved for Under-Counter Installation                      | Yes                 |
| Approved for Electric Single Oven Combination Installation** | Yes                 |
| Power Supply Connection Location                             | Right Top Rear      |
| Voltage Rating   | 120V/60Hz/15 or 20A |
| Connected Load (kW Rating) @ 120 Volts†                      | 1.5                 |
| Amps @ 120 Volts   | 13                  |
| 60" Electrical Cable   | Included            |
| Shipping Weight (Approx.) – Microwave                        | 50 Lbs.             |
| Shipping Weight (Approx.) – 30" Trim Kit*                    | 12 Lbs.             |
| Shipping Weight (Approx.) – 27" Trim Kit*                    | 12 Lbs.             |

† For use on adequately wired 120V, dedicated circuit having 2-wire service with a separate ground wire. Appliance must be grounded for safe operation.

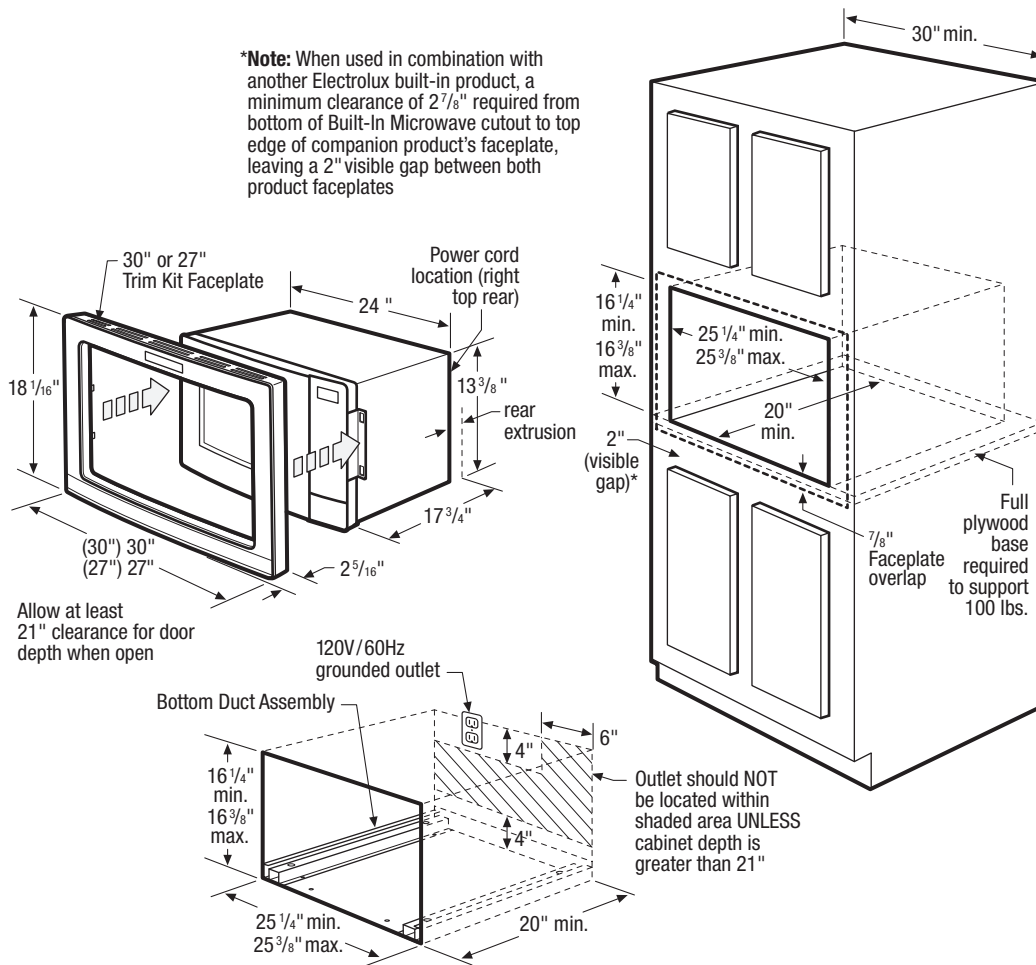
\* Installation requires use of 30" or 27" Trim Kit (ordered by individual part number and shipped separately). Includes Bottom Duct Assembly.

\*\* Approved to be used in combination with any Electrolux Electric Single Wall Oven and/or Warmer Drawer. (Not approved to be used above any gas wall oven.)

NOTE: Always consult local and national electric codes. Refer to Product Installation Guide for detailed installation instructions on the web at [electroluxappliances.com](http://electroluxappliances.com).

Specifications subject to change.

**\*Note:** When used in combination with another Electrolux built-in product, a minimum clearance of  $2\frac{7}{8}$ " required from bottom of Built-In Microwave cutout to top edge of companion product's faceplate, leaving a 2" visible gap between both product faceplates



## Built-In Microwave Specifications

- Product Weight (Microwave with Trim Kit) – 51 Lbs.
- Voltage Rating – 120V/60Hz/ 15 or 20 Amps
- Connected Load (kW Rating) @ 120 Volts = 1.5kW (For use on adequately wired 120V, dedicated circuit having 2-wire service with a separate ground wire. Appliance must be grounded for safe operation.)
- Amps @ 120 Volts = 13 Amps
- Always consult local and national electric codes.
- Allow 21" minimum clearance for 90° door swing.
- Installation requires use of 30" or 27" Trim Kit (ordered by individual part number and shipped separate). Includes Bottom Duct Assembly.
- Minimum 20" deep oven cutout dimension is critical for proper installation for oven and faceplate to fit flush against cabinet front.
- Consult local building code, in the event that cutout opening may be required to be enclosed with sides, ceiling and rear partition.
- Full oven base of solid plywood or similar material required, capable of supporting 100 Lbs.

- Base must be level and front of cabinet square for proper operation.
- Grounded outlet should NOT be located in shaded area, as indicated, unless cabinet depth is greater than 21".
- Can NOT be installed above any gas wall oven.
- Built-In Convection Microwave can be built in alone or is approved to be used in combination with any Electrolux Electric Single Wall Oven and/or Warmer Drawer. (Refer to model-specific Combination Installation Specification pages on web.)
- When used in combination with another Electrolux built-in product, a minimum clearance of 2-7/8" required from bottom of Built-In Microwave cutout to top edge of companion product's faceplate, leaving a 2" visible gap between both product faceplates.

**Note:** For planning purposes only. Refer to Product Installation Guide on the web at [electroluxappliances.com](http://electroluxappliances.com) for detailed instructions.

# 27" Combination Installation – Built-In Microwave/Single Wall Oven



For detailed product dimensions and installation specifications, refer to model-specific product page and installation guide on web

## 27" Built-In Microwave Cutout

For model:  
EI24M045I (with 27" Trim Kit)

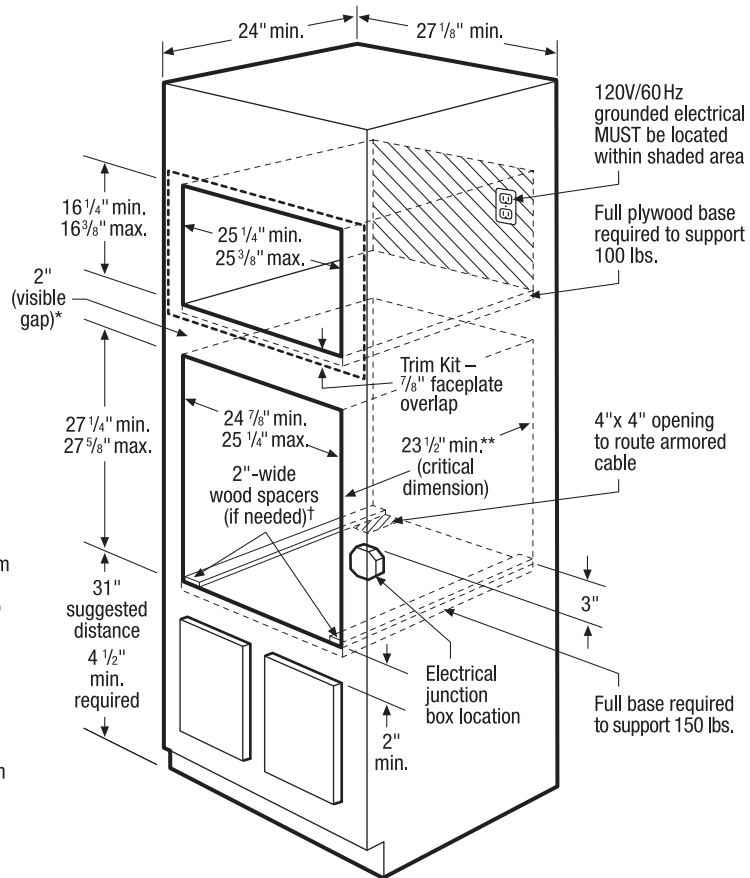
## 27" Electric Single Wall Oven Cutout

For models:  
EW27EW55G  
EI27EW35J  
EI27EW35K

\* Minimum 2<sup>7</sup>/<sub>8</sub>" clearance required from bottom of Built-In Microwave cutout to top edge of Wall Oven's faceplate, leaving a 2" visible gap between both product faceplates.

\*\* Critical dimension – MUST be applied

† For cutout height between 27<sup>5</sup>/<sub>8</sub>" and 28<sup>1</sup>/<sub>4</sub>" add one 2"-wide wood shim of appropriate height to each side of opening under oven side rails. Lifting oven will hide larger cutout opening at top and oven's 1"-high bottom trim will hide shims at bottom. (Optional 3"-high bottom trim available for cutout height between 28<sup>1</sup>/<sub>4</sub>" and 30")



## 27" Combination Installation Specifications

- Always consult local and national electric codes. (Refer to product-specific electrical specifications on this page.)
- Minimum 23-1/2" deep cutout dimension is critical for proper combination installation, to ensure that each built-in product's faceplate will fit flush against cabinet front.
- Bases must be level and cabinet front must be square.
- Minimum 4-1/2" required distance from bottom of Wall Oven cutout to floor, 31" suggested.
- Respect critical dimensions as noted for proper installation of built-in products.
- Minimum 21" clearance needed for Wall Oven door depth when open.

## 27" Built-In Microwave Specifications

- Product Weight – 48 Lbs.
- Voltage Rating – 120V/60Hz/15 or 20 Amps
- Connected Load (kW Rating) @ 120 Volts = 1.5kW (For use on adequately wired 120V, dedicated circuit having 2-wire service with a separate ground wire. Appliance must be grounded for safe operation.)
- Amps @ 120 Volts = 13 Amps
- Full oven base of solid plywood or similar material required, capable of supporting 100 Lbs.
- Minimum 2-7/8" clearance required from bottom of Built-In Microwave cutout to top edge of Wall Oven's faceplate, leaving a 2" visible gap between both product faceplates.

## 27" Electric Single Wall Oven Specifications

- Product Weight – 150 Lbs.
- Single phase 3- or 4-wire cable, 120/240 or 120/208 Volt, 60 Hertz AC only electrical supply with ground required on separate circuit fused on both sides of line.
- Connected Load (kW Rating) @ 240/208 Volts = 3.4/2.6kW
- Amps @ 240/208 Volts = 14.2/12.6 Amps
- Full oven base of solid plywood or similar material required, capable of supporting 150 Lbs.
- To adapt oven to fit cutout height between 27-5/8" and 28-1/4", add one 2"-wide wood shim of appropriate height to each side of opening under oven side rails. Lifting oven will hide larger cutout opening at top and oven's 1"-high bottom trim will hide shims at bottom. (Standard 1"-High Bottom Trim included.)
- To adapt oven to fit cutout height between 28-1/4" and 30", optional 3"-High Bottom Trim available.

**Note: For planning purposes only. Refer to Product Installation Guide on the web at [electroluxappliances.com](http://electroluxappliances.com) for detailed instructions.**

## Electrolux Major Appliances, N.A.

USA • 10200 David Taylor Drive • Charlotte, NC 28262 • 1-877-4electrolux (1-877-435-3287) • [electroluxappliances.com](http://electroluxappliances.com)  
CANADA • 5855 Terry Fox Way • Mississauga, ON L5V 3E4 • 1-800-265-8352 • [electroluxappliances.ca](http://electroluxappliances.ca)

# 27" Combination Installation – Built-In Microwave/Single Wall Oven/Warmer Drawer



For detailed product dimensions and installation specifications, refer to model-specific product page and installation guide on web

## 27" Built-In Microwave Cutout

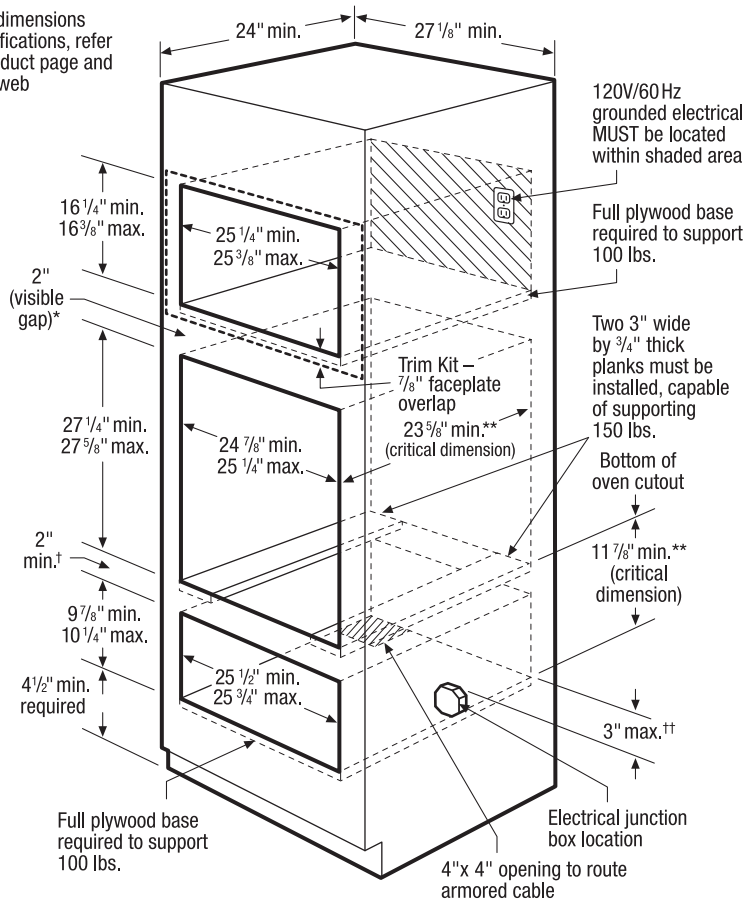
For model:  
EI24M045I  
(with 27" Trim Kit)

## 27" Electric Single Wall Oven Cutout

For models:  
EW27EW55G  
EI27EW35J  
EI27EW35K

## 27" Warmer Drawer Cutout

For model:  
EW27WD55G



\* Minimum 2 7/8" clearance required from bottom of Built-In Microwave cutout to top edge of Wall Oven's faceplate, leaving a 2" visible gap between both product faceplates.

\*\* Critical dimension – MUST be applied

† Maximum height depends on critical dimension (11 7/8")

†† Electrical junction box for Wall Oven must be lower than the Warmer Drawer cutout

## 27" Combination Installation Specifications

- Always consult local and national electric codes. (Refer to product-specific electrical specifications on this page.)
- Minimum 23-5/8" deep cutout dimension is critical for proper combination installation, to ensure that each built-in product's faceplate will fit flush against cabinet front.
- Bases must be level and cabinet front must be square.
- Minimum 4-1/2" required distance from bottom of Warmer Drawer cutout to floor.
- Respect critical dimensions as noted for proper installation of built-in products.
- Minimum 21" clearance needed for Wall Oven door depth when open.

## 27" Built-In Microwave Specifications

- Product Weight – 48 Lbs.
- Voltage Rating – 120V/60Hz/15 or 20 Amps
- Connected Load (kW Rating) @ 120 Volts = 1.5kW (For use on adequately wired 120V, dedicated circuit having 2-wire service with a separate ground wire. Appliance must be grounded for safe operation.)
- Amps @ 120 Volts = 13 Amps
- Full oven base of solid plywood or similar material required, capable of supporting 100 Lbs.
- Minimum 2-7/8" clearance required from bottom of Built-In Microwave cutout to top edge of Wall Oven's faceplate, leaving a 2" visible gap between both product faceplates.

## 27" Electric Single Wall Oven Specifications

- Product Weight – 150 Lbs.
- Single phase 3- or 4-wire cable, 120/240 or 120/208 Volt, 60 Hertz AC only electrical supply with ground required on separate circuit fused on both sides of line.
- Connected Load (kW Rating) @ 240/208 Volts = 3.4/2.6kW
- Amps @ 240/208 Volts = 14.2/12.6 Amps
- To support Wall Oven, two 3"-wide x 3/4"-thick planks must be installed as a base, capable of supporting 150 Lbs. Do NOT use full base, since planks are necessary to allow for proper air displacement.

## 27" Warmer Drawer Specifications

- Product Weight – 55 Lbs.
- Voltage Rating – 120V/450W/60Hz/15 Amps
- Connected Load (kW Rating) @ 120 Volts = 0.45kW (For use on adequately wired 120V, dedicated circuit having 2-wire service with a separate ground wire. Appliance must be grounded for safe operation.)
- Amps @ 120V = 3.75 Amps
- Full base of solid plywood or similar material required, capable of supporting 100 Lbs.

**Note: For planning purposes only. Refer to Product Installation Guide on the web at [electroluxappliances.com](http://electroluxappliances.com) for detailed instructions.**

## Electrolux Major Appliances, N.A.

USA • 10200 David Taylor Drive • Charlotte, NC 28262 • 1-877-4electrolux (1-877-435-3287) • [electroluxappliances.com](http://electroluxappliances.com)  
CANADA • 5855 Terry Fox Way • Mississauga, ON L5V 3E4 • 1-800-265-8352 • [electroluxappliances.ca](http://electroluxappliances.ca)

# 30" Combination Installation – Built-In Microwave/Single Wall Oven



For detailed product dimensions and installation specifications, refer to model-specific product page and installation guide on web

## 30" Built-In Microwave Cutout

For model:  
EI24M045I (with 30" Trim Kit)

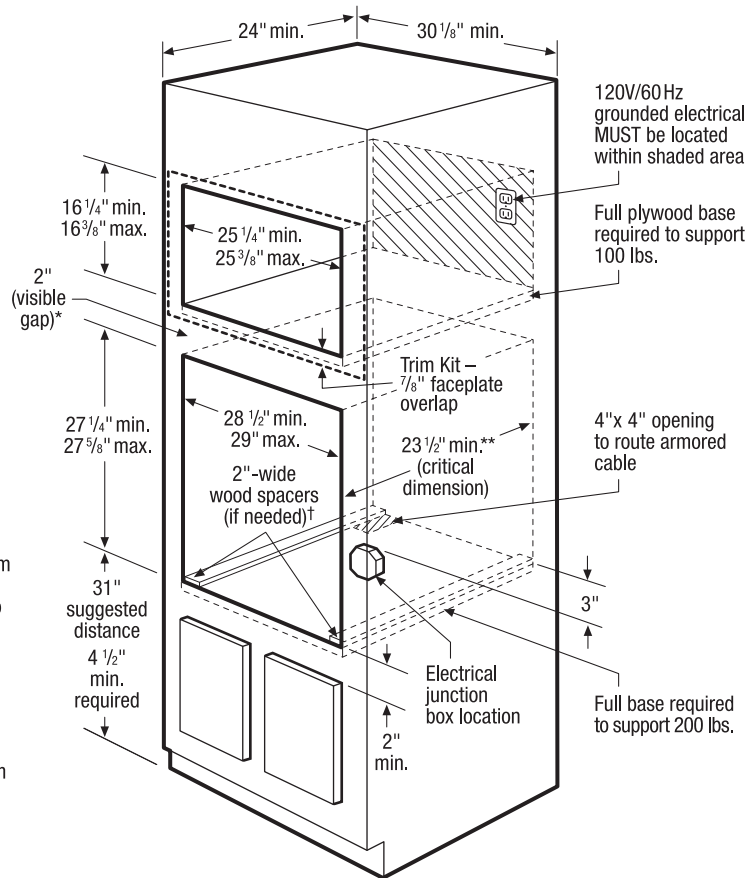
## 30" Electric Single Wall Oven Cutout

For models:  
EW30EW55G  
EI30EW35J  
EI30EW35K

\* Minimum 2<sup>7</sup>/<sub>8</sub>" clearance required from bottom of Built-In Microwave cutout to top edge of Wall Oven's faceplate, leaving a 2" visible gap between both product faceplates.

\*\* Critical dimension – MUST be applied

† For cutout height between 27<sup>5</sup>/<sub>8</sub>" and 28<sup>1</sup>/<sub>4</sub>" add one 2"-wide wood shim of appropriate height to each side of opening under oven side rails. Lifting oven will hide larger cutout opening at top and oven's 1"-high bottom trim will hide shims at bottom. (Optional 3"-high bottom trim available for cutout height between 28<sup>1</sup>/<sub>4</sub>" and 30")



## 30" Combination Installation Specifications

- Always consult local and national electric codes. (Refer to product-specific electrical specifications on this page.)
- Minimum 23-1/2" deep cutout dimension is critical for proper combination installation, to ensure that each built-in product's faceplate will fit flush against cabinet front.
- Bases must be level and cabinet front must be square.
- Minimum 4-1/2" required distance from bottom of Wall Oven cutout to floor, 31" suggested.
- Respect critical dimensions as noted for proper installation of built-in products.
- Minimum 21" clearance needed for Wall Oven door depth when open.

## 30" Built-In Microwave Specifications

- Product Weight – 48 Lbs.
- Voltage Rating – 120V/60Hz/15 or 20 Amps
- Connected Load (kW Rating) @ 120 Volts = 1.5kW (For use on adequately wired 120V, dedicated circuit having 2-wire service with a separate ground wire. Appliance must be grounded for safe operation.)
- Amps @ 120 Volts = 13 Amps
- Full oven base of solid plywood or similar material required, capable of supporting 100 Lbs.
- Minimum 2-7/8" clearance required from bottom of Built-In Microwave cutout to top edge of Wall Oven's faceplate, leaving a 2" visible gap between both product faceplates.

## 30" Electric Single Wall Oven Specifications

- Product Weight – 200 Lbs.
- Single phase 3- or 4-wire cable, 120/240 or 120/208 Volt, 60 Hertz AC only electrical supply with ground required on separate circuit fused on both sides of line.
- Connected Load (kW Rating) @ 240/208 Volts = 4.0/3.0kW
- Amps @ 240/208 Volts = 17.0/14.5 Amps
- Full oven base of solid plywood or similar material required, capable of supporting 200 Lbs.
- To adapt oven to fit cutout height between 27-5/8" and 28-1/4", add one 2"-wide wood shim of appropriate height to each side of opening under oven side rails. Lifting oven will hide larger cutout opening at top and oven's 1"-high bottom trim will hide shims at bottom. (Standard 1"-High Bottom Trim included.)
- To adapt oven to fit cutout height between 28-1/4" and 30", optional 3"-High Bottom Trim available.

**Note: For planning purposes only. Refer to Product Installation Guide on the web at [electroluxappliances.com](http://electroluxappliances.com) for detailed instructions.**

## Electrolux Major Appliances, N.A.

USA • 10200 David Taylor Drive • Charlotte, NC 28262 • 1-877-4electrolux (1-877-435-3287) • [electroluxappliances.com](http://electroluxappliances.com)  
CANADA • 5855 Terry Fox Way • Mississauga, ON L5V 3E4 • 1-800-265-8352 • [electroluxappliances.ca](http://electroluxappliances.ca)



# 30" Combination Installation – Built-In Microwave/Single Wall Oven/Warmer Drawer



For detailed product dimensions and installation specifications, refer to model-specific product page and installation guide on web

## 30" Built-In Microwave Cutout

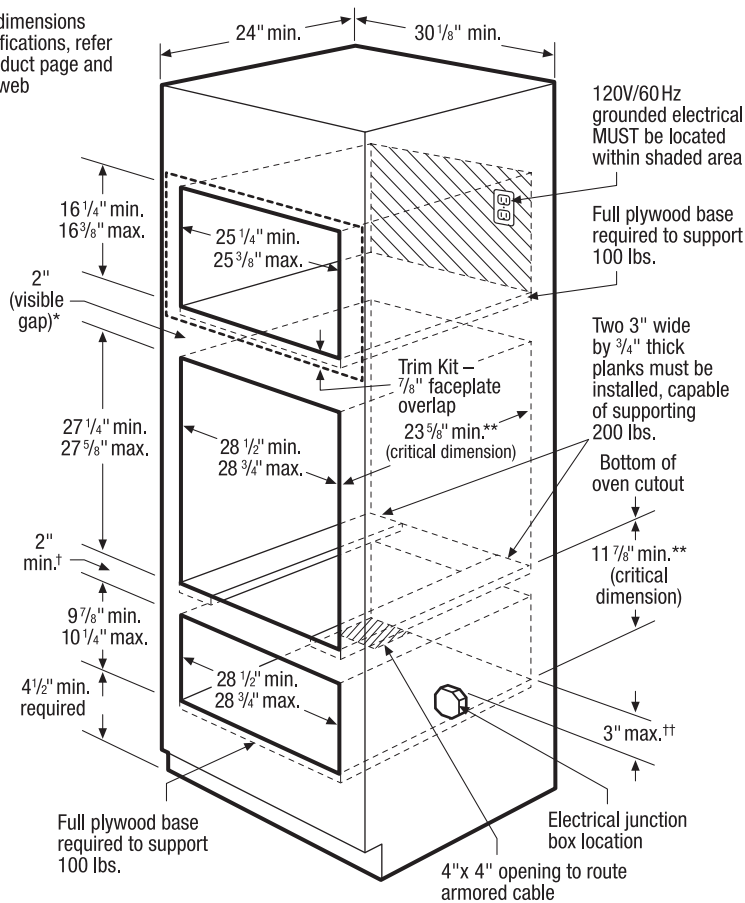
For model:  
EI24M045I  
(with 30" Trim Kit)

## 30" Electric Single Wall Oven Cutout

For models:  
EW30EW55G  
EI30EW35J  
EI30EW35K

## 30" Warmer Drawer Cutout

For model:  
EW30WD55G



\* Minimum 2 7/8" clearance required from bottom of Built-In Microwave cutout to top edge of Wall Oven's faceplate, leaving a 2" visible gap between both product faceplates.

\*\* Critical dimension – MUST be applied

† Maximum height depends on critical dimension (11 7/8")

†† Electrical junction box for Wall Oven must be lower than the Warmer Drawer cutout

### 30" Combination Installation Specifications

- Always consult local and national electric codes. (Refer to product-specific electrical specifications on this page.)
- Minimum 23-5/8" deep cutout dimension is critical for proper combination installation, to ensure that each built-in product's faceplate will fit flush against cabinet front.
- Bases must be level and cabinet front must be square.
- Minimum 4-1/2" required distance from bottom of Warmer Drawer cutout to floor.
- Respect critical dimensions as noted for proper installation of built-in products.
- Minimum 21" clearance needed for Wall Oven door depth when open.

### 30" Built-In Microwave Specifications

- Product Weight – 48 Lbs.
- Voltage Rating – 120V/60Hz/15 or 20 Amps
- Connected Load (kW Rating) @ 120 Volts = 1.5kW (For use on adequately wired 120V, dedicated circuit having 2-wire service with a separate ground wire. Appliance must be grounded for safe operation.)
- Amps @ 120 Volts = 13 Amps
- Full oven base of solid plywood or similar material required, capable of supporting 100 Lbs.
- Minimum 2-7/8" clearance required from bottom of Built-In Microwave cutout to top edge of Wall Oven's faceplate, leaving a 2" visible gap between both product faceplates.

### 30" Electric Single Wall Oven Specifications

- Product Weight – 200 Lbs.
- Single phase 3- or 4-wire cable, 120/240 or 120/208 Volt, 60 Hertz AC only electrical supply with ground required on separate circuit fused on both sides of line.
- Connected Load (kW Rating) @ 240/208 Volts = 4.0/3.0kW
- Amps @ 240/208 Volts = 17.0/14.5 Amps
- To support Wall Oven, two 3"-wide x 3/4"-thick planks must be installed as a base, capable of supporting 200 Lbs. Do NOT use full base, since planks are necessary to allow for proper air displacement.

### 30" Warmer Drawer Specifications

- Product Weight – 65 Lbs.
- Voltage Rating – 120V/450W/60Hz/15 Amps
- Connected Load (kW Rating) @ 120 Volts = 0.45kW (For use on adequately wired 120V, dedicated circuit having 2-wire service with a separate ground wire. Appliance must be grounded for safe operation.)
- Amps @ 120V = 3.75 Amps
- Full base of solid plywood or similar material required, capable of supporting 100 Lbs.

**Note: For planning purposes only. Refer to Product Installation Guide on the web at [electroluxappliances.com](http://electroluxappliances.com) for detailed instructions.**

## Electrolux Major Appliances, N.A.

USA • 10200 David Taylor Drive • Charlotte, NC 28262 • 1-877-4electrolux (1-877-435-3287) • [electroluxappliances.com](http://electroluxappliances.com)  
CANADA • 5855 Terry Fox Way • Mississauga, ON L5V 3E4 • 1-800-265-8352 • [electroluxappliances.ca](http://electroluxappliances.ca)