

Built-In All Refrigerator

EI32AR65J S



Built-In Side-by-Side Configuration



Shown with companion, All-Freezer model EI32AF65JS and optional stainless steel 84" Louvered Trim Kit. (Double – PN# ECP8472SS)

Shown with optional stainless steel 72" Collar Trim Kit. (Single – PN# ECP7236SS)



Sure-2-Fit® Capacity

Our most usable space inside gives you plenty of space for everything from party platters and beverages to kids' snacks and juice boxes.



Perfect Organization System

Our organization system features Luxury-Glide® drawers with removable/adjustable dividers and two mini baskets, Perfect Bins™ Door Storage that tilts out for easy access and a condiment shelf, so you can keep food organized and easily at hand.



Luxury-Glide® Crisper Drawers

Drawers smoothly glide out and keep produce fresh with adjustable humidity control and minimal temperature variation.



Luxury-Design® LED Lighting

Our ramp-up designer LED lighting is as beautiful as it is functional, keeping the contents clearly visible.

19 CU.FT. BUILT-IN ALL REFRIGERATOR

Capacities	
Total Capacity	18.51 Cu.Ft.
Total Shelf Area	22.4 Sq.Ft.

Exterior	
Hidden Hinge Door Design	Yes
Signature Soft-Arc Handle Design	Yes

Features	
IQ-Touch™ Electronic Controls	Yes
Temp Alarm System	Yes
Door Ajar Alarm	Yes
Power Failure Alarm	Yes
PureAdvantage® Air Filtration	Yes
Adjustable Full-Width Glass Shelves (Silver Trim)	3
Luxury-Glide® Full-Extension Deli Drawer/Cool Zone™	1
Luxury-Glide® Full-Extension Crisper/Fresh Zone™	1
3-Position Adjustable Crisper Dividers	2
Removable Basket Trays	2
Adjustable Dairy Door Bin	1
Full-Width Gallon Storage with Tall Bottle Retainer	1
Clear Half-Width 2-Litre Adjustable Door Bins	3
Perfect Bins™ Door Storage	2
Full-Width Condiment Shelf	1
Luxury-Design® LED Lighting	Yes
Door Closer	Yes
Luxury-Quiet™ Design	Yes
Air Filter Indicator	Yes
Electronic Control Lock	Yes

Additional Features	
ENERGY STAR®	Yes
Sabbath Mode (Star-K® Certified)	Yes

Accessories		
84" Louvered Trim Kits:	Single – PN# ECP8436SS	Optional
	Double – PN# ECP8472SS	Optional
72" Collar Trim Kits:	Single – PN# ECP7236SS	Optional
	Double – PN# ECP7272SS	Optional
79" Louvered/75" Collar Trim Kits ¹ :	Single – PN# TRIMKITSS1	Optional
	Double – PN# TRIMKITSS2	Optional

PureAdvantage® Air Filter	
Replacement Cartridge – PN# 241754001	Optional

Specifications	
Colour –	
Stainless Steel	S
Product Dimensions –	
Height (Cabinet)	70-5/8"
(Including Door)	71-3/8"
Width	32"
Depth (Including Door)	26-1/2"
(with 90° Door Open)	57-1/4"
Power Supply Connection Location	Right Bottom Rear
Voltage Rating	120V/60 Hz/20A
Connected Load (kW Rating) @ 115 Volts [†]	0.55
Minimum Circuit Required (Amps)	20
Shipping Weight (Approx.)	250 Lbs.

[†] An electrical supply with grounded three-prong receptacle is required. The power supply circuit must be installed in accordance with national and local codes & ordinances. For 73" cutout opening height, installation requires use of top louvered grille; for 75" cutout opening height, installation requires use of top trim piece and shortening of both side trim pieces. NOTE: Always consult local and national electric and plumbing codes. Refer to Product Installation Guide for detailed installation instructions on the web at electroluxappliances.ca. Specifications subject to change.

Optional Trim Kits

84" Louvered Trim Kits

(ECP8436SS & ECP8472SS)
Designed as a replacement option for the Sub-Zero® brand 650 Series models and for new-build installation.

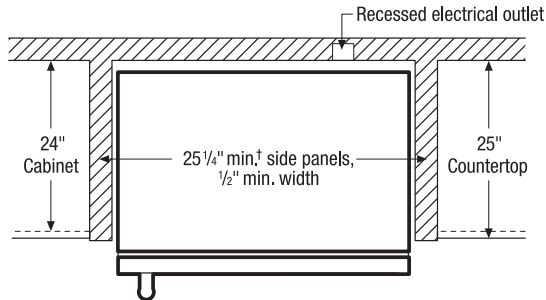
72" Collar Trim Kits

(ECP7236SS & ECP7272SS)
Designed as a replacement option for the Sub-Zero® brand 601 Series models and for new-build installation.

79" Louvered / 75" Collar Trim Kits¹

(TRIMKITSS1 & TRIMKITSS2)
Designed as a replacement option for Electrolux ICON® brand models E32AR75FPS and E32AF75FPS and for new-build installation.

¹Kits are designed to fit either 73" or 75" opening height. For 73" cutout opening height, installation requires use of top louvered grille; for 75" cutout opening height, installation requires use of top trim piece and shortening of both side trim pieces. Sub-Zero® is a registered trademark of Sub-Zero, Inc.

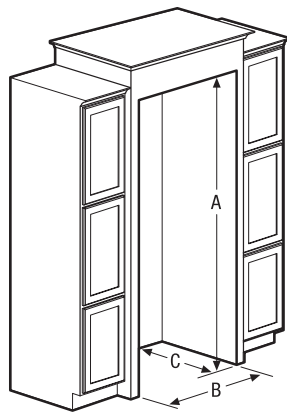


Optional Trim Kits

Optional Trim Kits available for built-in installation with All Refrigerator and/or All Freezer – requiring different cutout dimensions.

Designed as built-in replacement option for any model(s) having pre-existing opening(s) with same cutout dimensions as stated for specific Trim Kit or for new-build installation.

For Trim Kit specifications and drawings, refer to model-specific Trim Kit Installation pages on web for required cutout dimensions and installation planning information. For detailed Trim Kit installation, refer to instructions packed with kit or on web.



84" Louvered Trim Kits

Single (PN# ECP8436SS)
Double (PN# ECP8472SS)

72" Collar Trim Kits

Single (PN# ECP7236SS)
Double (PN# ECP7272SS)

79" Louvered / 75" Collar Trim Kits

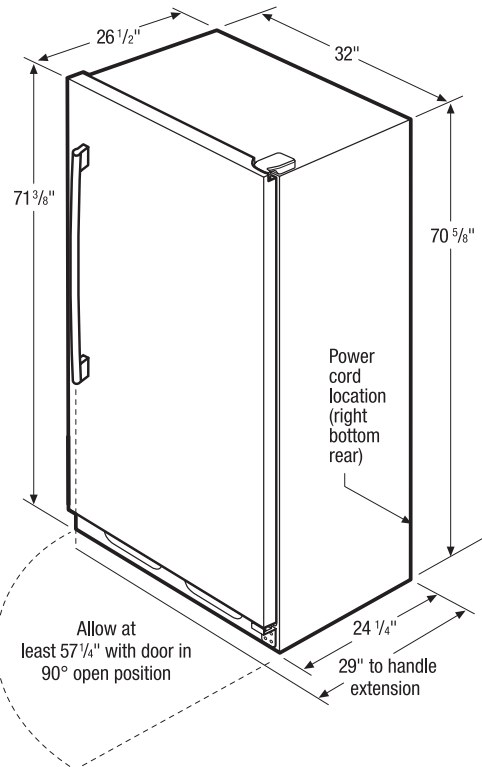
Single (PN# TRIMKITSS1)
Double (PN# TRIMKITSS2)

All-Refrigerator Cutout Dimensions

Built-In Installation (without optional Trim Kit)

Single Unit (A) 72" (B) 33" (C) 25 1/4" min.†
Double Unit (Side-by-Side) (A) 72" (B) 66" (C) 25 1/4" min.†

†Minimum depth from face of cabinet side panels and requires recessed electrical outlet.



32" Built-In All-Refrigerator Specifications

- Product Weight – 240 Lbs.
- An electrical supply with grounded three-prong receptacle is required. The power supply circuit must be installed in accordance with national and local codes & ordinances.
- Voltage Rating – 120V/60 Hz/20 Amps
- Connected Load (kW Rating) @ 115 Volts = 0.55 kW
- Amps @ 115 Volts = 5 Amps
- Always consult local and national electric codes.
- Minimum 25-1/4" depth requires recessed electrical outlet.
- To allow for ease of installation, tape excess power cord to back of unit.
- When installing refrigerator adjacent to wall, cabinet or other appliance that extends beyond front edge of unit, 20" minimum clearance recommended to allow for optimum 140° door swing, providing complete drawer/crisper access and removal. (Absolute 4" minimum clearance will ONLY allow for 90° door swing which will provide limited drawer/crisper access with restricted removal.)
- Refrigerator must be placed on level surface of hard material, same height as flooring. Surface must support approximately 800 lbs. when fully loaded. Unit equipped with 4-point leveling.

"Built-In Look" Specifications

- Minimum opening of 72" H x 33" W x 25-1/4" D required for single-unit "Built-In Look" installation; 66" W required for double-unit installation. (72" H to be measured from finished floor to underside of soffit or overhead cabinet.)

Optional Trim Kit Specifications

For planning information, refer to model-specific Trim Kit Installation pages on web.

- Optional Trim Kits available for built-in installation with All Refrigerator and/or All Freezer – requiring different cutout dimensions.
- Designed as built-in replacement option for any model(s) having pre-existing opening(s) with same cutout dimensions as stated for specific Trim Kit or for new-build installation.
- Remove all wall/floor moulding prior to built-in installation.
- For detailed Trim Kit installation, refer to instructions packed with kit or on web.

Note: For planning purposes only. Refer to Product Installation Guide on the web at electroluxappliances.ca for detailed instructions.

Optional Accessories

- 84" Louvered Trim Kits:
Single – (PN# ECP8436SS), Double – (PN# ECP8472SS).
- 72" Collar Trim Kits:
Single – (PN# ECP7236SS), Double – (PN# ECP7272SS).
- 79" Louvered / 75" Collar Trim Kits:
Single – (PN# TRIMKITSS1), Double – (PN# TRIMKITSS2).
- PureAdvantage® Air Filter Replacement Cartridge – (PN# 241754001).