

# BUILT-IN ALL REFRIGERATOR

EI32AR80QS

Featuring IQ-Touch™ Electronic Controls



## PRODUCT DIMENSIONS

Height	71-3/8"
Width	32"
Depth	26-1/2"

## MORE EASY-TO-USE FEATURES

### ALARM SYSTEM

Notifies you if there's been a power failure, if a door stays open longer than five minutes and if the interior temperature of the refrigerator rises above 56 degrees for more than 60 minutes.

### PERFECT BINS™ DOOR STORAGE

Convenient door storage bins tilt-out for easy access and can even be removed for even easier access.

### PUREADVANTAGE® AIR FILTER

Keeps clean, filtered air circulated throughout to prevent odour transfer.

### LUXURY-QUIET™ DESIGN

Designed for consistently quiet operation.

Available in:



Stainless  
(S)

## OPTIONAL TRIM KITS

### 84" LOUVERED TRIM KITS

(ECP8436SS & ECP8472SS)  
Designed as a replacement option for the Sub-Zero® brand 650 Series models and for new-build installation.

### 79" LOUVERED / 75" COLLAR TRIM KITS<sup>2</sup>

(TRIMKITSS1 & TRIMKITSS2)  
Designed as a replacement option for Electrolux ICON® brand models E32AR75FPS and E32AF75FPS and for new-build installation.

### 72" COLLAR TRIM KITS

(ECP7236SS & ECP7272SS)  
Designed as a replacement option for the Sub-Zero® brand 601 Series models and for new-build installation.

## SIGNATURE FEATURES



### PERFECT ORGANIZATION SYSTEM

Our organization system features Luxury-Glide® drawers with removable/adjustable dividers and two mini baskets, Perfect Bins™ door storage that tilts out for easy access and a condiment shelf, so you can keep food organized and easily at hand.



### LUXURY-DESIGN® LIGHTING

Our ramp-up designer LED lighting is as beautiful as it is functional, keeping the contents clearly visible.



### PLATINUM STAR® LIMITED WARRANTY

Our exclusive limited warranty that includes a 3-year coverage on parts and one year on labour without charge.<sup>1</sup>



### LUXURY-GLIDE® STORAGE DRAWER

Drawer glides out smoothly and fully extends, giving you easy access to what's inside.

<sup>1</sup>Eligibility based on product registration with Electrolux North America within 60 days of purchase. Products must have been purchased on or after July 1, 2013. Coverage includes material parts for 3 years and labour for 1 year.

<sup>2</sup>Kits are designed to fit either 79" or 75" opening height. For 79" cutout opening height, installation requires use of top louvered grille; for 75" cutout opening height, installation requires use of top trim piece and shortening of both side trim pieces.

Sub-Zero® is a registered trademark of Sub-Zero, Inc.

# BUILT-IN ALL REFRIGERATOR

EI32AR80QS



## 19 CU.FT. BUILT-IN ALL REFRIGERATOR

### CAPACITIES

Total Capacity	18.6 Cu. Ft.
Total Shelf Area	22.4 Sq. Ft.

### EXTERIOR

Hidden Hinge Door Design	Yes
Signature Soft-Arc Handle Design	Yes

### FEATURES

IQ-Touch™ Electronic Controls	Yes
Temp Alarm System	Yes
Door Ajar Alarm	Yes
Power Failure Alarm	Yes
PureAdvantage® Air Filtration	Yes
Adjustable Full-Width Glass Shelves (Silver Trim)	2
Luxury-Glide® Full-Extension Deli Drawer/Cool Zone™	1
Luxury-Glide® Full-Extension Crisper/Fresh Zone™	1
3-Position Adjustable Crisper Dividers	2
Removable Basket Trays	2
Adjustable Dairy Door Bin	1
Full-Width Gallon Storage with Tall Bottle Retainer	1
Clear Half-Width 2-Litre Adjustable Door Bins	3
Perfect Bins™ Door Storage	2
Full-Width Condiment Shelf	1
Luxury-Design® LED Lighting	Yes
Door Closer	Yes
Luxury-Quiet™ Design	Yes
Air Filter Indicator	Yes
Electronic Control Lock	Yes

### ADDITIONAL FEATURES

Sabbath Mode (Star-K® Certified)	Yes
----------------------------------	-----

### ACCESSORIES

84" Louvered Trim Kits: Single – PN # ECP8436SS	Optional
Double – PN # ECP8472SS	Optional
72" Collar Trim Kits: Single – PN # ECP7236SS	Optional
Double – PN # ECP7272SS	Optional
79" Louvered / 75" Collar Trim Kits: <sup>1</sup>	
Single – PN # TRIMKITSS1	Optional
Double – PN # TRIMKITSS2	Optional

### SPECIFICATIONS

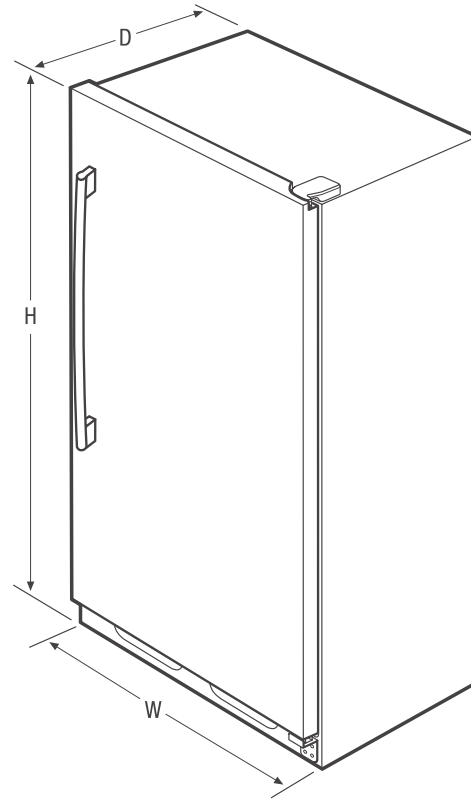
Colour –	
Stainless Steel	S
Power Supply Connection Location	Right Bottom Rear
Voltage Rating	115V / 60 Hz
Connected Load (kW Rating) @ 115 Volts <sup>2</sup>	0.55
Minimum Circuit Required (Amps)	20
Shipping Weight (Approx.)	266 Lbs.

<sup>1</sup>Kits are designed to fit either 79" or 75" opening height. For 79" cutout opening height, installation requires use of top louvered grille; for 75" cutout opening height, installation requires use of top trim piece and shortening of both side trim pieces.

<sup>2</sup>An electrical supply with grounded three-prong receptacle is required. The power supply circuit must be installed in accordance with national and local codes & ordinances.

NOTE: Always consult local and national electric and plumbing codes. Refer to Product Installation Guide for detailed installation instructions on the web at [electroluxappliances.ca](http://electroluxappliances.ca).

Specifications subject to change.



### PRODUCT DIMENSIONS

Height (Cabinet)	70-5/8"
(Including Door)	71-3/8"
Width	32"
Depth (Including Door)	26-1/2"
(with 90° Door Open)	57-1/4"

Electrolux Major Appliances, N.A.

CANADA • 5855 Terry Fox Way • Mississauga, ON L5V 3E4 • 1-800-265-8352 • [electroluxappliances.ca](http://electroluxappliances.ca)

EI32AR80Q 01/15

© 2015 Electrolux Major Appliances, N.A.



High standards of quality at Electrolux Home Products, Inc. mean we are constantly working to improve our products. We reserve the right to change specifications or discontinue models without notice.

Printed in Canada