

Under-Cabinet Hood

RH36WC40G S



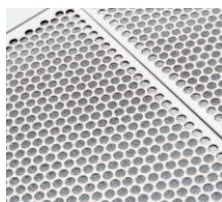
LCD Electronic Controls

An array of versatile options with easy-to-read blue displays, including a convenient kitchen timer, fan-speed selection and a delayed power-off option. The hoods also feature sensors that will turn them on automatically if they sense heat or smoke.



Dual-Centrifugal Fans

Move air quietly and quickly – up to 400 cu. ft. of air per minute.



Stainless Steel Filters

Dishwasher safe for easy cleaning.



Halogen Lighting

For bright illumination of the cooktop surface.

36" UNDER-CABINET HOOD

Features

Nominal Width	36"
Installation Type	Wall Mount
Intelligent Heat Sensor	Yes
Air Discharge	Vertical or Horizontal
Air Delivery (CFM)	400
Blower Type	Dual Centrifugal
Electronic Controls with LCD Display	Yes
Fan Speeds	4
Sound Level (dBA)	68.0
Dual Halogen Lights	Yes
Dishwasher Safe Stainless Steel Filters	Yes
Exhaust Duct	Convertible*
Duct Required	7" Round or 3-1/4" x 10"

Accessories

Charcoal Filter – PN# EICF400GS	Optional
---------------------------------	----------

Specifications

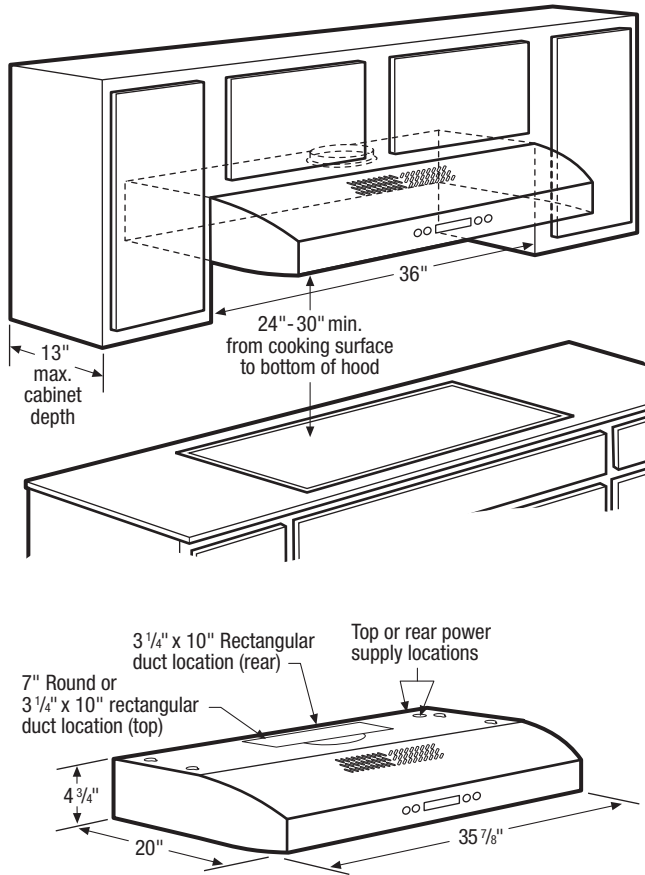
Color –	
Stainless Steel	S
Product Dimensions –	
Height	4-3/4"
Width	35-7/8"
Depth	20"
Voltage Rating	120V/60Hz/15A
Connected Load (kW Rating) @ 120 Volts†	0.36
Amps @ 120 Volts	2.89
Shipping Weight (Approx.)	32 Lbs.
Sones Rating	6.0

* Ventilation system is preset to recirculate air inside with no ducting. Converting to exterior exhaust is optional.

† For use on adequately wired 120V, dedicated circuit having 2-wire service with a separate ground wire. Appliance must be grounded for safe operation.

NOTE: Always consult local and national electric codes. Check local building codes for installation requirements, as they may vary per locale. Refer to Product Installation Guide for detailed installation instructions on the web at electroluxappliances.com.

Specifications subject to change.

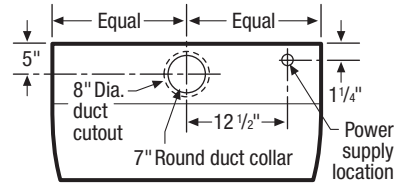


Exhaust Options

Vent hood can be vertically or horizontally ducted outside using round or rectangular duct; or recirculated inside with no ducting required.

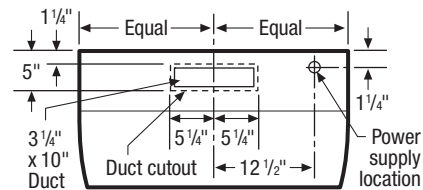
For detailed duct preparation and installation specifications, refer to installation instructions on web.

Outside Vertical – 7" Round Duct



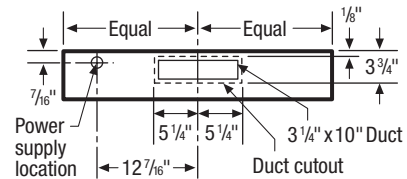
Top

Outside Vertical – 3 1/4" x 10" Rectangular Duct



Top

Outside Horizontal – 3 1/4" x 10" Rectangular Duct



Rear

36" Under-Cabinet Hood Specifications

- Product Weight – 30 Lbs.
- Wall-Mount Installation – can be ducted vertically or horizontally.
- Ventilation system is preset to recirculate air inside with no ducting system required. Exhausting air outside is optional, using either vertical or horizontal ducting system. (Refer to Ducted Option Specifications for outside ventilation.)
- Sones Rating – 6.0
- Voltage Rating – 120V/60 Hz/15 Amps
- Connected Load (kW Rating) @ 120 Volts = 0.36kW (For use on adequately wired 120V, dedicated circuit having 2-wire service with a separate ground wire. Appliance must be grounded for safe operation.)
- Amps @ 120 Volts = 2.89 Amps
- Always consult local and national electric codes. Check local building codes for installation requirements, as they may vary per locale.
- Connect vent hood with copper wire only.
- Minimum installation height allowed from bottom of hood to cooking surface is 24" - 30" for electric and 30" for gas. (NOT more than 36" recommended.)
- To improve performance, optional Charcoal Filter (PN# RHCF406GS) recommended for use with recirculating system.

Ducted Option Specifications

- For outside ventilation.
- Exhaust Duct Required – 7" round or 3-1/4" x 10"
- To accommodate pre-existing, off-center ductwork, vent hood can be installed up to one inch on either side of hood center. In extreme off-center installation, one end of duct connector can be modified to clear electrical cable clamp.
- For most efficient airflow exhaust, use a straight run or as few elbows as possible.
- Use metallic flex ducting only to connect rigid duct directly to transitions (if allowed by code).
- Thermal breaks such as short section of nonmetallic duct, should be used in areas of extreme cold.
- Cold weather installations should have additional backdraft damper installed.
- Refer to installation instructions on web for detailed duct preparation and converting exhaust vent blower system for exterior exhaust ventilation.

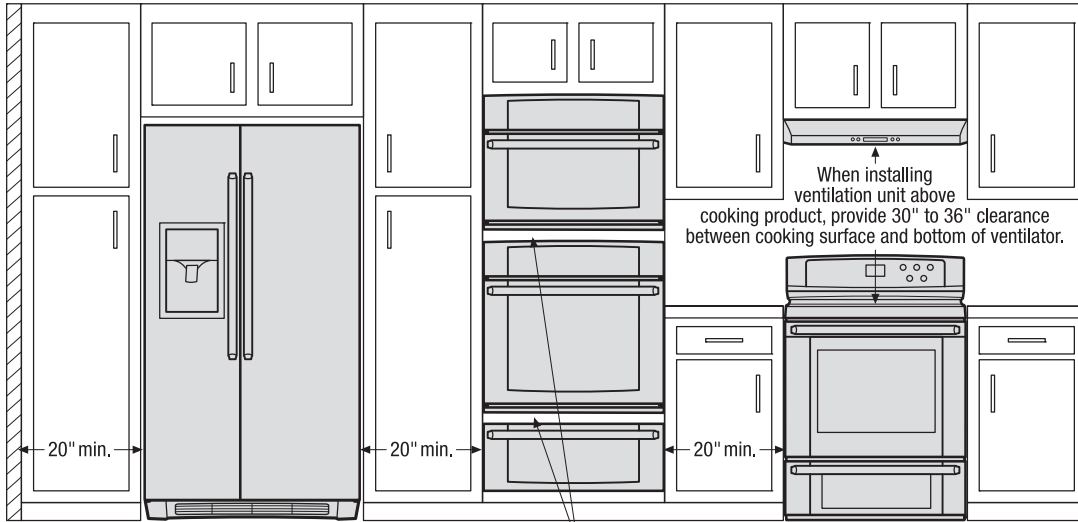
Note: For planning purposes only. Refer to Product Installation Guide on the web at electroluxappliances.com for detailed instructions.

Optional Accessories

- Charcoal Filter – (PN# EICF400GS).

Use these dimensions and clearance instructions for planning purposes only. For detailed installation instructions, refer to installation guide, packed with product, or on the web at electroluxappliances.com.

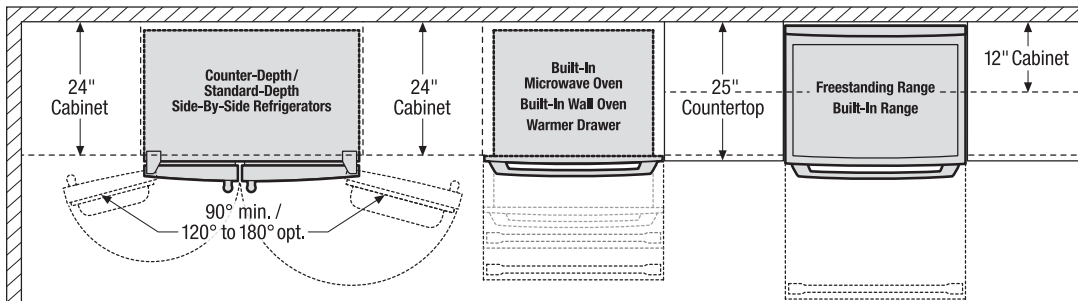
Front



When installing appliances adjacent to each other, 20" minimum distance between each appliance required.

When installing built-in cooking appliances in combination, 2" minimum visible gap between appliance faceplates required.

Top

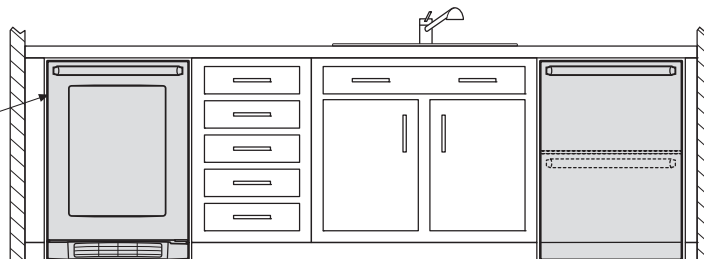


When installing refrigerator adjacent to wall, cabinet or another appliance that extends beyond front edge of unit, 20" minimum clearance recommended to allow for optimum 120° to 180° door swing, providing complete drawer/crisper access and removal.

When installing appliance with sliding drawer or drop-down door directly across from obstructions, provide sufficient clearance for drawer extension or door swing.

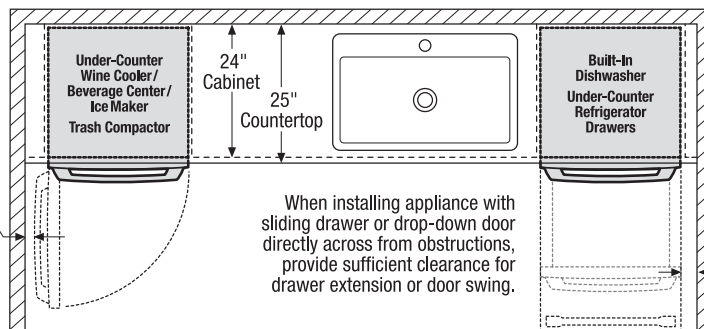
Front

To ensure optimum performance, avoid installing refrigeration appliances in direct sunlight or near heat source.



Top

When installing appliance with side-swing door adjacent to wall, cabinet, or other obstruction that extends beyond front edge of appliance, door swing and handle clearance must be sufficient to allow access to appliance interior.



When installing appliance with sliding drawer or drop-down door directly across from obstructions, provide sufficient clearance for drawer extension or door swing.

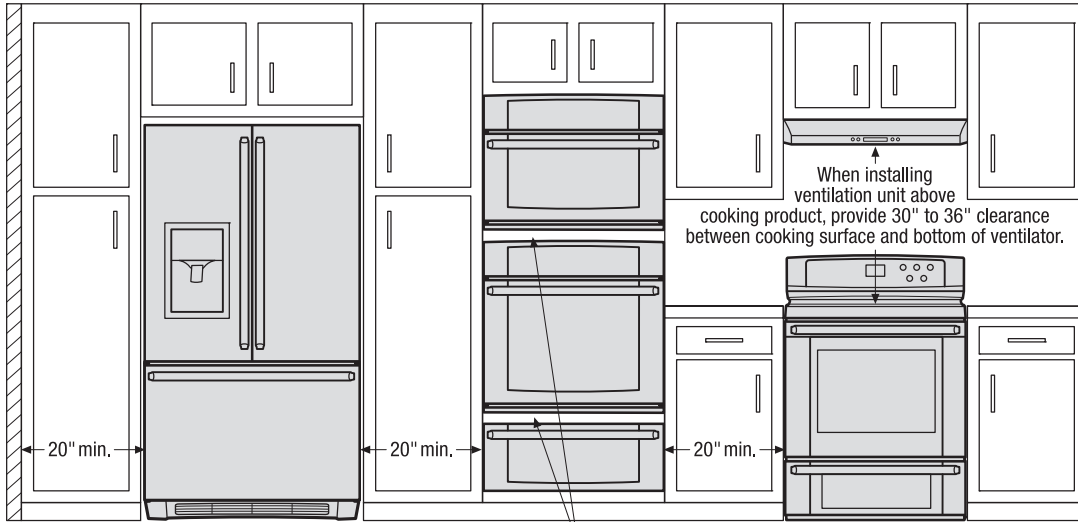
When installing appliance with sliding drawer or drop-down door adjacent to wall, cabinet, or other obstruction that extends beyond front edge of appliance, allow 2" minimum clearance between drawer or door and obstruction.

Electrolux Major Appliances, N.A.

USA • 10200 David Taylor Drive • Charlotte, NC 28262 • 1-877-4electrolux (1-877-435-3287) • electroluxappliances.com
 CANADA • 5855 Terry Fox Way • Mississauga, ON L5V 3E4 • 1-800-265-8352 • electroluxappliances.ca

Use these dimensions and clearance instructions for planning purposes only. For detailed installation instructions, refer to installation guide, packed with product, or on the web at electroluxappliances.com.

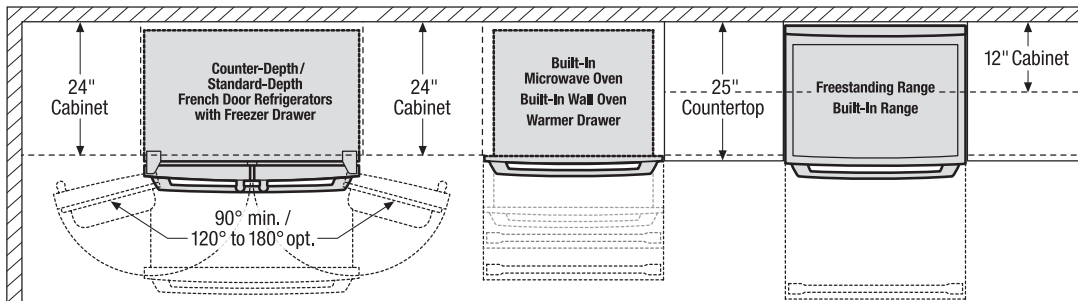
Front



When installing appliances adjacent to each other, 20" minimum distance between each appliance required.

When installing built-in cooking appliances in combination, 2" minimum visible gap between appliance faceplates required.

Top

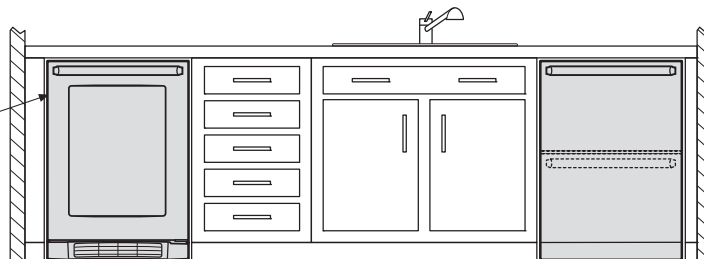


When installing refrigerator adjacent to wall, cabinet or another appliance that extends beyond front edge of unit, 20" minimum clearance recommended to allow for optimum 120° to 180° door swing, providing complete drawer/crisper access and removal.

When installing appliance with sliding drawer or drop-down door directly across from obstructions, provide sufficient clearance for drawer extension or door swing.

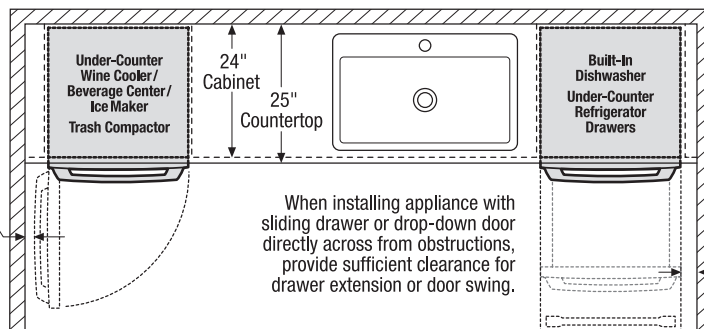
Front

To ensure optimum performance, avoid installing refrigeration appliances in direct sunlight or near heat source.



Top

When installing appliance with side-swing door adjacent to wall, cabinet, or other obstruction that extends beyond front edge of appliance, door swing and handle clearance must be sufficient to allow access to appliance interior.



When installing appliance with sliding drawer or drop-down door directly across from obstructions, provide sufficient clearance for drawer extension or door swing.

When installing appliance with sliding drawer or drop-down door adjacent to wall, cabinet, or other obstruction that extends beyond front edge of appliance, allow 2" minimum clearance between drawer or door and obstruction.

Electrolux Major Appliances, N.A.

USA • 10200 David Taylor Drive • Charlotte, NC 28262 • 1-877-4electrolux (1-877-435-3287) • electroluxappliances.com
 CANADA • 5855 Terry Fox Way • Mississauga, ON L5V 3E4 • 1-800-265-8352 • electroluxappliances.ca