

Counter-Depth Refrigerator

EW23CS85K S

Featuring Wave-Touch® Electronic Controls



Perfect Temp® Drawer

Features nine preset selections including White/Sparkling Wine, Fish/Shellfish, Snacks and Chilled Beer, plus three customizable "My Favorites," giving you an array of choices to store or serve whatever you want at the ideal temperature.



Luxury-Glide® Crispers

Drawers smoothly glide out and keep produce fresh with adjustable humidity control and minimal temperature variation.



Wave-Touch® Controls

One simple touch and the control panel activates. After you make your choices, options will fade away, returning to an uncluttered display.



9"-Tall Water/Ice Dispenser

Our tall water and ice dispenser is specially designed to accommodate a variety of large containers, from a 16-ounce tumbler to a pitcher or a coffee carafe.

23 CU. FT. COUNTER-DEPTH REFRIGERATORS

Capacities

| | |
|-----------------------|---------------|
| Total Capacity | 22.6 Cu. Ft. |
| Fresh Food Volume | 13.97 Cu. Ft. |
| Freezer Volume | 8.59 Cu. Ft. |
| Total Shelf Area | 21.56 Sq. Ft. |
| Fresh Food Shelf Area | 15.60 Sq. Ft. |
| Freezer Shelf Area | 5.96 Sq. Ft. |

Exterior

| | |
|---|-------------|
| Signature Soft-Arc Door and Handle Design | Yes |
| Electronic Controls | Wave-Touch® |
| Hidden Hinge Door Design | Yes |
| Ice/Water Dispenser | Yes |
| Perfect Set® Temperature Control System and Display | Yes |
| Crushed/Cubes/Water | Yes/Yes/Yes |
| Air and Water Filter Indicator/Reset | Yes |
| Fast Ice™/Fast Freeze™ | Yes/Yes |
| Lock/Dispenser Light Control | Yes/Yes |

Fresh Food Conveniences

| | |
|---|---------------------------|
| PureAdvantage® Water & Ice | Yes |
| PureAdvantage® Air Filtration | Yes |
| Water Filter Location | Right Rear |
| Temp Alarm System | Yes |
| Door Ajar Alarm/Power Failure Alarm | Yes/Yes |
| Glass Shelves | 3 Luxury-Design® Lift-Off |
| Dual Humidity-Controlled Upper Crisper | Luxury-Close™ |
| Humidity-Controlled Lower Crisper | Luxury-Close™ |
| Perfect Temp® Drawer | Luxury-Close™ |
| Chill Zone™ Drawer | |
| Wine and Beverage Mat | Yes |
| Clear Gallon Door Bins | |
| Clear 2-Liter Door Bins | 1 Adjustable |
| Condiment Bin | 1 |
| Perfect Bin™ Door Storage | Yes |
| Dairy Compartment with Clear Cover | |
| Tall Bottle Retainers | |
| Clear In-Door Can Racks (Holds 6 Cans Each) | 2 |
| Luxury-Design® LED Ramp-Up Multilevel | Yes |

Freezer Conveniences

| | |
|---------------------------------------|----------------------------|
| Automatic Ice Maker with Ice Server | Yes |
| Glass Shelves | 2 |
| Sliding Full-Width Freezer Baskets | 1 Luxury-Glide®/1 Standard |
| Sliding Half-Width Freezer Baskets | 1 |
| Clear Fixed Door Bins | 3 |
| Tilt-Out Wire Door Racks | |
| Ice Cream Shelf | Yes |
| Soft Freeze™ Bin | Yes |
| Pizza Shelf | |
| Luxury-Design® LED Ramp-Up Multilevel | Yes |

Additional Features

| | |
|----------------------------------|-----|
| ENERGY STAR® | Yes |
| Sabbath Mode (Star-K® Certified) | Yes |

Specifications

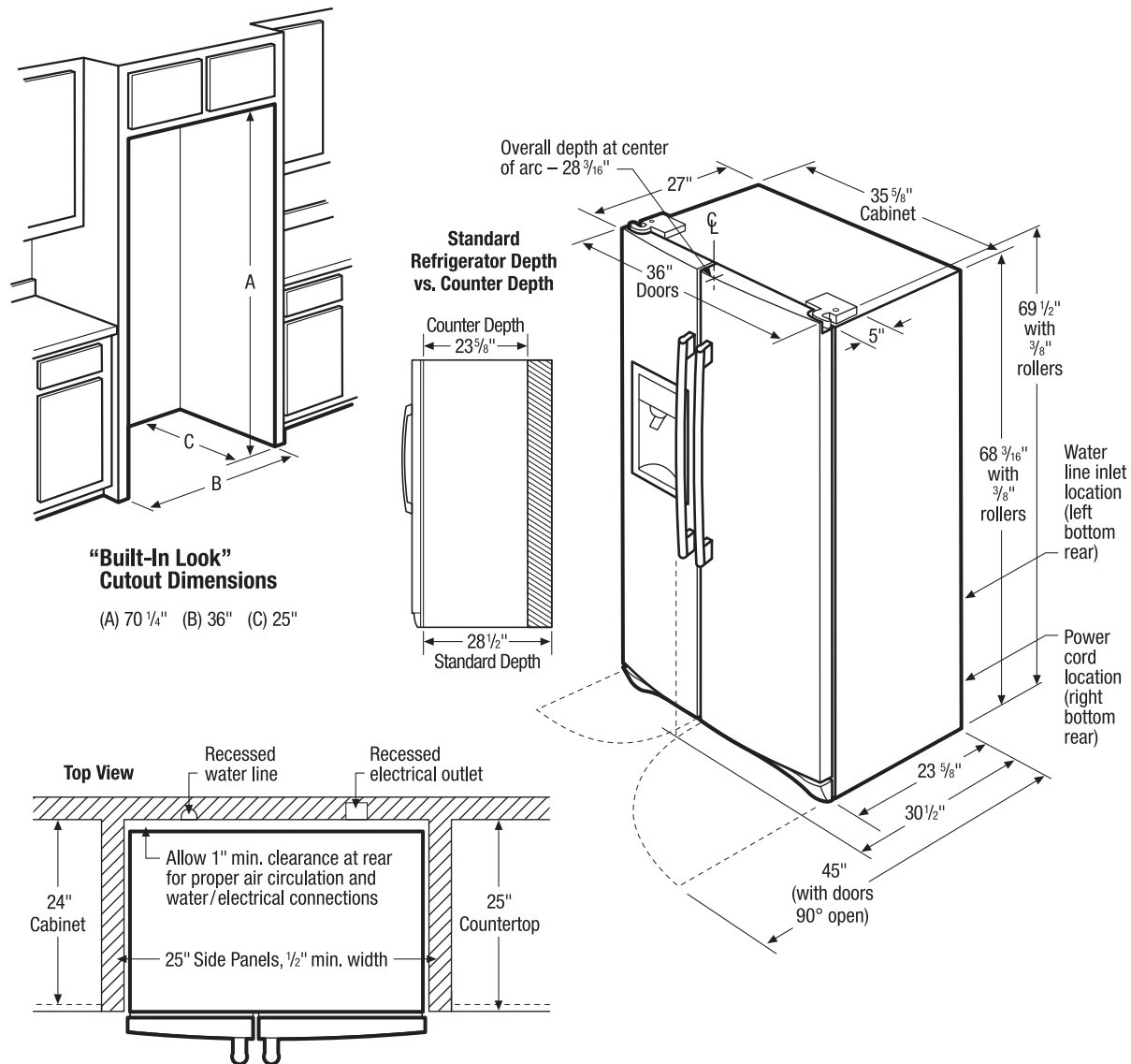
| | |
|--|----------------------|
| Color – | |
| Stainless Steel | S |
| Product Dimensions – | |
| Height (with Hinges and 3/8" Rollers) | 69-1/2" |
| Cabinet Width/Door Width | 35-5/8"/36" |
| Depth (to Center of Arc) (with 90° Door Open) | 28-3/16" 45" |
| Power Supply Connection Location | Right Bottom Rear |
| Water Inlet Location | Left Bottom Rear |
| Voltage Rating | 120V/60 Hz/15 or 20A |
| Connected Load (kW Rating) @ 120 Volts† | 1.02 |
| Minimum Circuit Required (Amps) | 15 |
| Shipping Weight (Approx.) | 325 Lbs. |

†An electrical supply with grounded three-prong receptacle is required. The power supply circuit must be installed in accordance with current edition of National Electrical Code (NFPA 70) and local codes & ordinances.

NOTE: Always consult local and national electric & plumbing codes. Refer to Product Installation Guide for detailed installation instructions on the web at electroluxappliances.com. Specifications subject to change.

Counter-Depth Refrigerator

EW23CS85K S



Counter-Depth Refrigerator Specifications

- Product Weight – 315 Lbs.
- An electrical supply with grounded three-prong receptacle is required. The power supply circuit must be installed in accordance with current edition of National Electrical Code (NFPA 70) and local codes & ordinances.
- Voltage Rating – 120V/60 Hz/15 or 20 Amps
- Connected Load (kW Rating) @ 120 Volts = 1.02 kW
- Amps @ 120 Volts = 8.5 Amps
- Always consult local and national electric & plumbing codes.
- Floor should be level surface of hard material, capable of supporting fully loaded refrigerator.
- When installing refrigerator adjacent to wall, cabinet or other appliance that extends beyond front edge of unit, 20" minimum clearance recommended to allow for optimum 120° to 180° door swing, providing complete drawer/crisper access and removal. (*Absolute 4-1/2" minimum clearance will ONLY allow for 90° door swing which will provide drawer/crisper access with restricted removal.*)
- To ensure optimum performance, avoid installing in direct sunlight or close proximity to range, dishwasher or other heat source.

- For proper ventilation, front grille MUST remain unobstructed.
- Recess electrical outlet when possible.
- Water recess on rear wall recommended to prevent water line damage.
- Water Pressure – Cold water line must provide between 30 and 100 pounds per square inch (psi).
- Copper tubing with 1/4" O.D. recommended for water supply line with length equal to distance from rear of unit to household water supply line plus 7 additional feet. Optional Water Supply Installation Kits available.
- Adjustable front rollers to assist with door alignment.

"Built-In Look" Specifications

- Minimum opening of 70-1/4" H x 36" W x 25" D required to allow for ease of installation, proper air circulation, and plumbing/electrical connections.
- Remove all wall/floor molding prior to installation.

Note: For planning purposes only. Refer to Product Installation Guide on the web at electroluxappliances.com for detailed instructions.

Electrolux Major Appliances, N.A.

USA • 10200 David Taylor Drive • Charlotte, NC 28262 • 1-877-4electrolux (1-877-435-3287) • electroluxappliances.com
 CANADA • 5855 Terry Fox Way • Mississauga, ON L5V 3E4 • 1-800-265-8352 • electroluxappliances.ca

EW23CS85K 09/12

© 2012 Electrolux Home Products, Inc.



High standards of quality at Electrolux Home Products, Inc. mean we are constantly working to improve our products. We reserve the right to change specifications or discontinue models without notice.

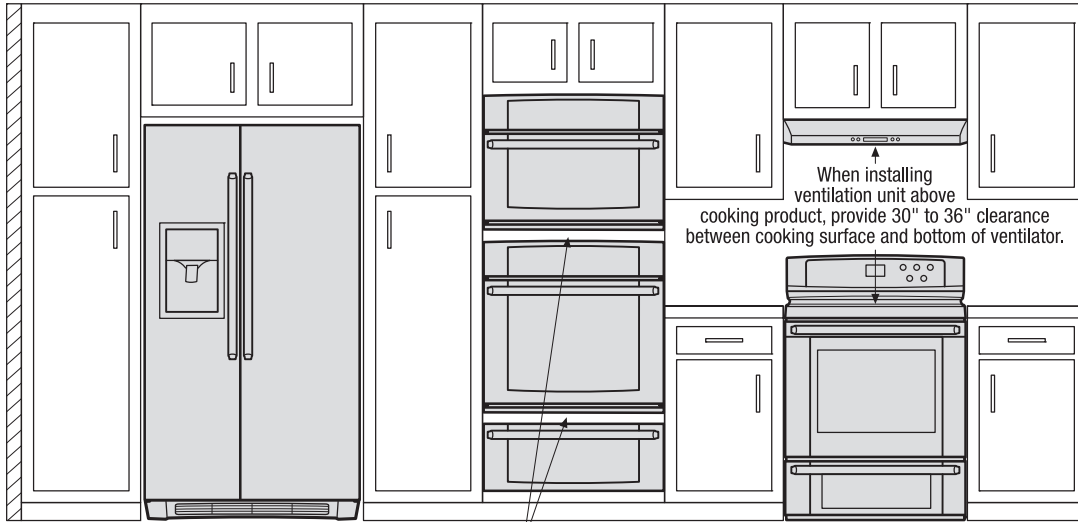
General Installation Guidelines

For Installation with Side-by-Side Refrigerator



Use these dimensions and clearance instructions for planning purposes only. For detailed installation instructions, refer to installation guide, packed with product, or on the web at electroluxappliances.com.

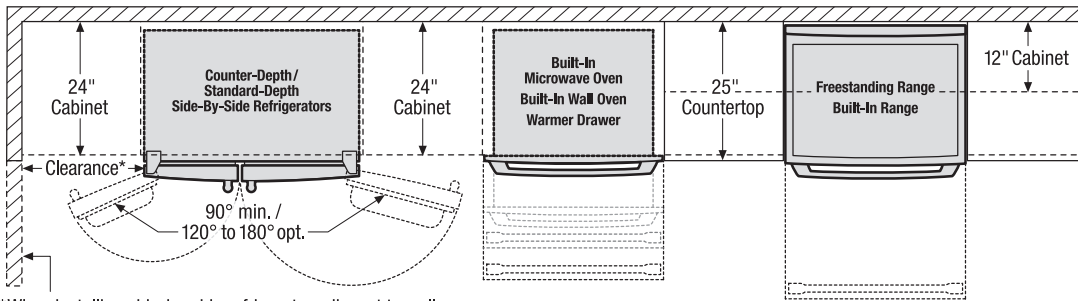
Front



When installing built-in cooking appliances in combination, 2"-high minimum visible gap between appliance faceplates required.

Clearance information for cooking appliances, provided in specific product's installation guide.

Top

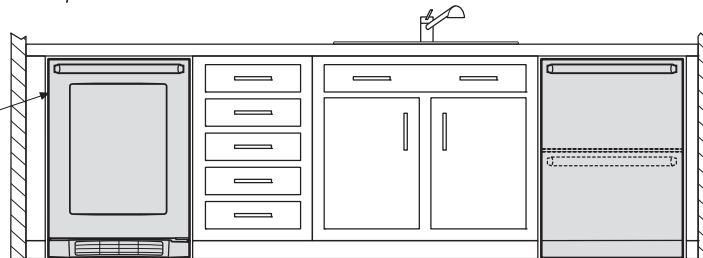


*When installing side-by-side refrigerator adjacent to wall, cabinet or another appliance that extends beyond front edge of unit, 20" minimum clearance recommended to allow for optimum 120° to 180° door swing, providing complete drawer/crisper access and removal. (Absolute 4-1/2" minimum clearance will ONLY allow for 90° door swing which will provide limited drawer/crisper access with restricted removal.)

When installing appliance with sliding drawer or drop-down door directly across from obstructions, provide sufficient clearance for drawer extension or door swing.

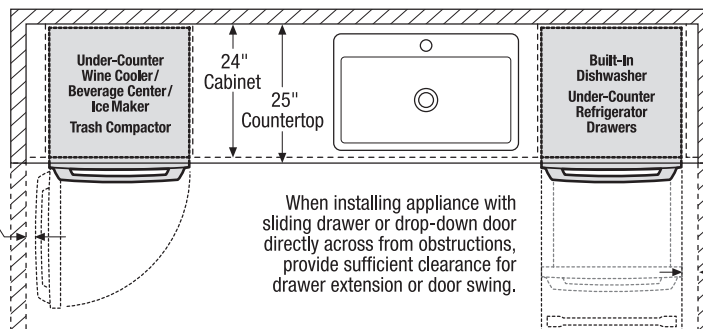
Front

To ensure optimum performance, avoid installing refrigeration appliances in direct sunlight or near heat source.



Top

When installing appliance with side-swing door adjacent to wall, cabinet, or other obstruction that extends beyond front edge of appliance, door swing and handle clearance must be sufficient to allow access to appliance interior.



When installing appliance with sliding drawer or drop-down door directly across from obstructions, provide sufficient clearance for drawer extension or door swing.

When installing appliance with sliding drawer or drop-down door adjacent to wall, cabinet, or other obstruction that extends beyond front edge of appliance, allow 2" minimum clearance between drawer or door and obstruction.

Electrolux Major Appliances, N.A.

USA • 10200 David Taylor Drive • Charlotte, NC 28262 • 1-877-4electrolux (1-877-435-3287) • electroluxappliances.com
 CANADA • 5855 Terry Fox Way • Mississauga, ON L5V 3E4 • 1-800-265-8352 • electroluxappliances.ca