

Under-Counter Trash Compactor

EI15TC65HS



Extra Large Capacity

1.55 cu. ft. capacity holds more for quick cleanup. One compacted bin is equal to six 13-gallon trash bags.



High-Performance Power

With 3,000 lbs. of compacting pressure, this 3/4 hp motor will neatly compress an entire bin in just 45 seconds.



Deodorizing System

Keeps your kitchen smelling fresh and clean with a disk that protects up to six months and alerts you via the control panel when it's time to replace.



Easy to Clean and Access

Basket slides out smoothly, and fully extends to provide easy access to the interior for use and cleaning.

15" UNDER-COUNTER TRASH COMPACTOR

Capacity	1.55 Cu. Ft.
Installation Type	Built In/Freestanding*

Features

IQ-Touch™ Electronic Controls	Yes
Electronic Clock & Timer	Yes
Luxury-Glide® Full-Extension Stainless Steel Trash Bin	Yes
Trash Bag Storage Compartment	Yes
Compacting Force (Lbs.)	3,000
3/4 Horsepower	Yes
Double Scissors Ram	Yes
Belt Drive, Dual-Screw Compaction System	Yes
Deodorizing System	Yes
On/Off Key Switch	Yes
Luxury-Quiet™ Sound Package	Yes
Sound Level (Approx. dBA)	68

Additional Features

Signature Soft-Arc Door and Handle Design	Yes
Field-Reversible Door	Yes
Magnetic Door Gasket	Yes
Door Stop	Yes
Adjustable Leveling Legs	Yes

Accessories

Deodorizing System Replacement Disk – PN# ETC15ODH	Optional
60 Replacement Bags – PN# ETC15CB5DH	Optional
Toe Kick Accessory Kit (for Freestanding Installation) – PN# ETC15TKH	Optional

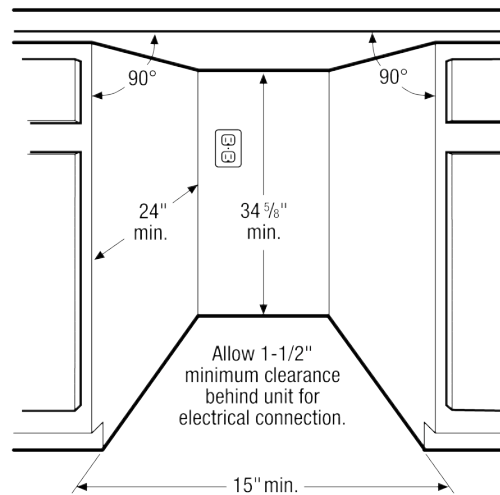
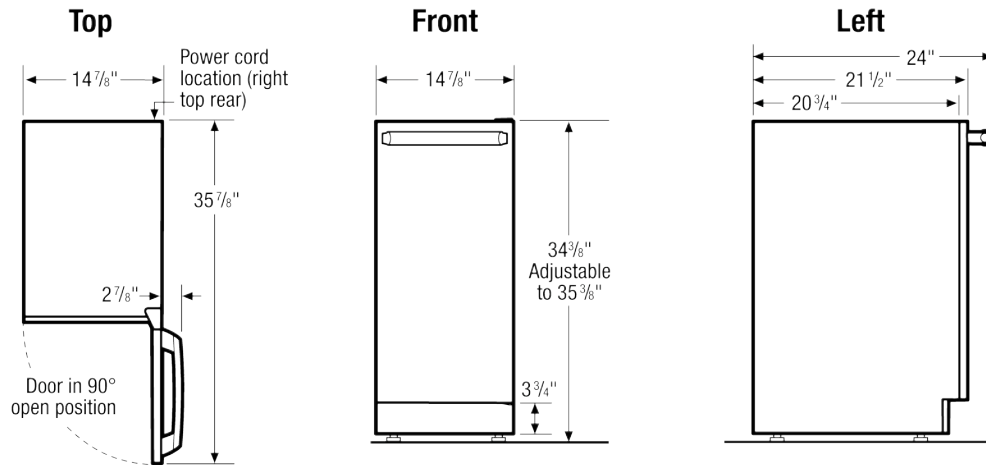
Specifications

Product Dimensions –	
Height (Adjustable)	34-3/8" – 35-3/8"
Width	14-7/8"
Depth (to Center of Arc) (with 90° Door Open)	21-1/2" 35-7/8"
Power Supply Connection Location	Right Top Rear
Voltage Rating	120V/60Hz/15A
Connected Load (kW Rating) @ 120 Volts†	0.15
Amps @ 120 Volts	5.5
78" Electrical Cable	Included
Product Weight	161 Lbs.
Shipping Weight (Approx.)	165 Lbs.

*For conversion from built-in installation to freestanding, use optional Toe Kick Accessory Kit.

†For use on adequately wired 120V, dedicated circuit having 2-wire service with a separate ground wire. Appliance must be grounded for safe operation.

NOTE: Always consult local and national electric codes. Refer to Product Installation Guide for detailed installation instructions on the web at www.electroluxappliances.ca. Specifications subject to change.



Under-Counter Trash Compactor Specifications

- Product Weight – 161 Lbs.
- Voltage Rating – 120V/60Hz/15 Amps
- Connected Load (kW Rating) @ 120 Volts = 0.15kW
(For use on adequately wired 120V, dedicated circuit having 2-wire service with a separate ground wire. Appliance must be grounded for safe operation.)
- Amps @ 120 Volts = 5.5 Amps
- Electrical cable supplied.
- Always consult local and national electric & plumbing codes.
- Can be used freestanding, or built in under counter. (For conversion from built-in installation to freestanding, use optional Toe Kick Accessory Kit – PN# ETC15TKH)
- Does not require additional airspace for top, sides or rear when used in built-in application. Increase unit dimensions by at least 1/4" for recommended rough opening, allowing 1-1/2" minimum clearance in rear for electrical connection.

- Unit MUST be level for proper operation, and positioned on flat surface, capable of supporting entire weight.
- Leveling legs supplied to adjust height and level unit.
- Must be positioned to allow for 90° door swing. (Door is field reversible for right- or left-hand opening.)
- When installing next to wall where handle may make contact, allow 3" clearance between opened door and wall.

Note: For planning purposes only. Refer to Product Installation Guide on the web at electroluxappliances.ca for detailed instructions.

Optional Accessories

- Deodorizing System Replacement Disk – (PN# ETC15ODH)
- 60 Replacement Bags – (PN# ETC15CB5DH)
- Toe Kick Accessory Kit (for Freestanding Installation) – (PN# ETC15TKH)

