

# Under-Counter Wine Cooler

EI24WC65GS

Featuring IQ-Touch<sup>MC</sup> Electronic Controls



### Perfect Set<sup>®</sup> Temperature Control

Set a temperature anywhere between 45 and 65 degrees – the Wine Cooler will maintain selected temperature to keep your wine perfectly chilled.



### Luxury-Glide<sup>®</sup> Shelves

With a ball bearing system, shelves are so smooth they extend effortlessly.



### 46-Bottle Capacity

Large interior preserves up to 46 bottles of wine under optimum chilling and serving conditions.



### Luxury-Design<sup>®</sup> Lighting

Our ramp-up designer LED lighting is as beautiful as it is functional, keeping the wine clearly visible.

## 24" UNDER-COUNTER SIDE-SWING WINE COOLER

Capacity	6 Cu. Ft.
Maximum Storage	46 Bottles
Installation Type	Built In/Freestanding

### Features

IQ-Touch <sup>™</sup> Electronic Controls	Yes
Fully Integrated Control Panel	Yes
Blue LED Display	Yes
Luxury-Glide <sup>®</sup> Full-Extension Shelves	4
Lower Level Display Rack	Yes
Black Soft Coat Wireform Racks	Yes
Metal Front on Racks	Yes
Luxury-Design <sup>®</sup> Lighting	Yes
Exhibit Lighting with Manual Control	Yes
Perfect Set <sup>®</sup> Controls	Yes
PureAdvantage <sup>®</sup> Air Filtration	Yes
Electronic Control Lock	Yes
Display Temp Mode (°C or °F)	Yes
Door Ajar Acoustic Alarm	Yes
High-Temperature Acoustic Alarm	Yes
Power Failure Acoustic Alarm	Yes
Mute Sound Control	Yes
Power-On / Off Control	Yes
Vacation Mode	Yes
Sabbath Mode (Star-K <sup>®</sup> Certified)	Yes
Frost-Free Performance	Yes
Dynamic Condenser	Yes

### Additional Features

Signature Soft-Arc Door and Handle Design	Yes
UV-Filtered, Tinted Glass Window	Yes
Luxury-Close <sup>™</sup> Door	Yes
Adjustable Leveling Legs	4

### Accessories

Field-Reversible Door Kit – PN# 5303918374	Optional
Maple Wood Trim for Shelves – PN# 241919801	Optional
PureAdvantage <sup>®</sup> Replacement Air Filter – PN# EAFCBF	Included

### Specifications

Product Dimensions –	
Height (Adjustable)	34-5/16" – 35"
Width	23-13/16"
Depth (to Center of Arc) (with 90° Door Open)	24-1/4" 47"
Temperature Range	45° F - 65° F
Power Supply Connection Location	Right Bottom Rear
Voltage Rating	120V/60Hz/15A
Connected Load (kW Rating) @ 120 Volts <sup>‡</sup>	0.15
Minimum Circuit Required (Amps)	15
Shipping Weight (Approx.)	166 Lbs.

Optional accessories available on the web at [www.electroluxappliances.ca](http://www.electroluxappliances.ca)

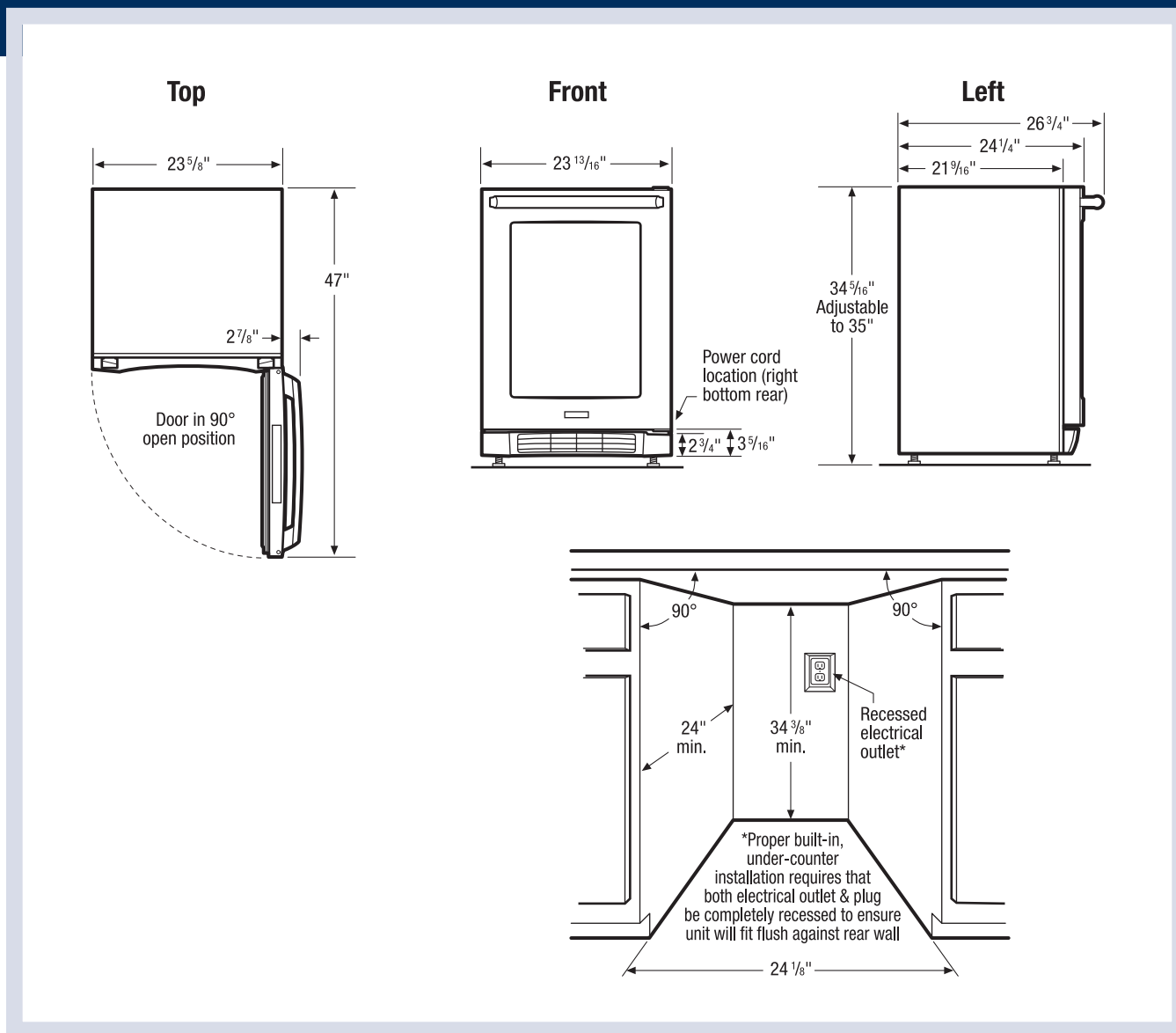
<sup>‡</sup>For use on adequately wired 120V, dedicated circuit having 2-wire service with a separate ground wire. Appliance must be grounded for safe operation.

NOTE: Always consult local and national electric codes. Refer to Product Installation Guide for detailed installation instructions on the web at [electroluxappliances.ca](http://electroluxappliances.ca).

Specifications subject to change.

# Under-Counter Wine Cooler

EI24WC65GS



## Under-Counter Wine Cooler Specifications

- Product Weight – 159 Lbs.
- Voltage Rating – 120V/60 Hz/15 Amps
- Connected Load (kW Rating) @ 120 Volts = 0.15kW  
(For use on adequately wired 120V, dedicated circuit having 2-wire service with a separate ground wire. Appliance must be grounded for safe operation.)
- Amps @ 120 Volts = 6 Amps
- Electrical cable supplied.
- Always consult local and/or national electric codes.
- Unit is designed for either freestanding or built-in, under-counter installation
- Built-in, under-counter installation does not require additional airspace for top, sides or rear of unit.
- Proper built-in, under-counter installation requires that both electrical outlet and plug be completely recessed to ensure unit will fit flush against rear wall.
- To allow for ease of installation and removal, it is recommended that cabinet rough opening dimensions be increased by at least 1/4" over product's dimensions.

- For proper ventilation, unit can NOT be installed behind closed doors; front grille MUST remain unobstructed.
- Must be positioned on flat, level surface, capable of supporting entire weight when fully loaded.
- Leveling legs supplied to adjust height and level unit.
- Do not position unit near any heat source to ensure optimum performance.
- Unit requires zero clearance when installing flush with cabinet or wall.
- When installing against cabinet or wall that extends beyond front edge of unit, 2-7/8" minimum handle clearance required to allow for 90° door swing, providing sliding shelves with necessary clearance. (Door swing can be reversed with installation of Field-Reversible Door Kit – PN# 5303918374).

**Note: For planning purposes only. Refer to Product Installation Guide on the web at [electroluxappliances.ca](http://electroluxappliances.ca) or supplied with product for detailed instructions.**

## Optional Accessories

- Field-Reversible Door Kit – (PN# 5303918374).
- Maple Wood Trim for Shelves – (PN# 241919801).



Electrolux Major Appliances, N.A.

CANADA • 5855 Terry Fox Way • Mississauga, ON L5V 3E4 • 1-800-265-8352 • [electroluxappliances.ca](http://electroluxappliances.ca)

EI24WC65GS 03/11

© 2011 Electrolux Major Appliances, NA

High standards of quality at Electrolux Major Appliances mean we are constantly working to improve our products. We reserve the right to change specifications or discontinue models without notice.

Printed in Canada