



**Use, Care, and Installation Guide**  
**Guide d'utilisation, d'entretien et d'installation**  
**Guía de instalación, uso y mantenimiento**

READ AND SAVE THESE INSTRUCTIONS  
LISEZ CES INSTRUCTIONS ET CONSERVEZ-LES  
LEA Y GUARDE ESTAS INSTRUCCIONES



<b>EN</b>	<b>Contents</b>	<b>page</b>	<b>3</b>
<b>FR</b>	<b>Sommaire</b>	<b>page</b>	<b>24</b>
<b>ES</b>	<b>Contenido</b>	<b>página</b>	<b>45</b>

# English

## Contents

<b>Important safety Notice</b> .....	<b>4</b>
<b>Electrical &amp; Installation requirements</b> .....	<b>5</b>
Electrical requirements .....	5
Before installing the hood .....	5
<b>List of Materials</b> .....	<b>6</b>
Parts supplied .....	6
Parts not supplied .....	6
<b>Dimensions and Clearances</b> .....	<b>6</b>
<b>Ducting Options and Examples</b> .....	<b>7</b>
Venting methods .....	7
Preparation .....	7
<b>Installation</b> .....	<b>8</b>
Preparation of the hood for installation: .....	8
Installation - Ducting version .....	9
Installation - Ductless (Recirculating) version .....	14
<b>Description of the hood &amp; Controls</b> .....	<b>20</b>
Controls.....	20
<b>User Servicing and Maintenance Instructions</b> .....	<b>21</b>
Cleaning.....	21
Grease Filter .....	21
Replacing the light bulb.....	22
Charcoal Filter.....	22
<b>Warranty</b> .....	<b>23</b>

**APPROVED FOR RESIDENTIAL APPLIANCES  
FOR RESIDENTIAL USE ONLY  
READ AND SAVE THESE INSTRUCTIONS**

**PLEASE READ ENTIRE INSTRUCTIONS BEFORE PROCEEDING.**

**INSTALLATION MUST COMPLY WITH ALL LOCAL CODES.**

**IMPORTANT: Save these Instructions for the Local Electrical Inspector's use.**

**INSTALLER: Please leave these Instructions with this unit for the owner.**

**OWNER: Please retain these instructions for future reference.**

**Safety Warning: Turn off power circuit at service panel and lock out panel, before wiring this appliance.**

**Requirement: 120 V AC, 60 Hz. 15 or 20 A Branch Circuit**

# READ AND SAVE THESE INSTRUCTIONS

## Important safety Notice

### CAUTION

FOR GENERAL VENTILATING USE ONLY. **DO NOT USE TO EXHAUST HAZARDOUS OR EXPLOSIVE MATERIALS OR VAPOURS.**

### WARNING

**TO REDUCE THE RISK OF FIRE, ELECTRIC SHOCK, OR INJURY TO PERSONS, OBSERVE THE FOLLOWING:**

- A. Use this unit only in the manner intended by the manufacturer. If you have questions, contact the manufacturer.
- B. Before servicing or cleaning the unit, switch power off at service panel and lock service panel disconnecting means to prevent power from being switched on accidentally. When the service disconnecting means cannot be locked, securely fasten a prominent warning device, such as a tag, to the service panel.
- C. Installation Work and Electrical Wiring Must Be Done By Qualified Person(s) In Accordance With All Applicable Codes & Standards, Including Fire-rated Construction.
- D. Sufficient air is needed for proper combustion and exhausting of gases through the flue (Chimney) of fuel burning equipment to prevent back-drafting. Follow the heating equipment manufacturers guideline and safety standards such as those published by the National Fire Protection Association (NFPA), the American Society for Heating, Refrigeration and Air Conditioning Engineers (ASHRAE), and the local code authorities.
- E. When cutting or drilling into wall or ceiling, do not damage electrical wiring and other hidden utilities.
- F. Ducted systems must always be vented to the outdoors.

### CAUTION

**To reduce risk of fire and to properly exhaust air, be sure to duct air outside - do not vent exhaust air into spaces within walls, ceilings, attics, crawl spaces, or garages.**

### WARNING

**TO REDUCE THE RISK OF FIRE, USE ONLY METAL DUCT WORK.**

Install this hood in accordance with all requirements specified.

### WARNING

**To Reduce The Risk Of Fire Or Electric Shock, Do Not Use This Hood With Any External Solid State Speed Control Device.**

### WARNING

**TO REDUCE THE RISK OF A RANGE TOP GREASE FIRE.**

- a) Never leave surface units unattended at high settings. Boilovers cause smoking and greasy spillovers that may ignite. Heat oils slowly on low or medium settings.
- b) Always turn hood ON when cooking at high heat or when flambeing food (i.e. Crepes Suzette, Cherries Jubilee, Peppercorn Beef Flambe').
- c) Clean ventilating fans frequently. Grease should not be allowed to accumulate on fan or filter.
- d) Use proper pan size. Always use cookware appropriate for the size of the surface element.

### WARNING

**TO REDUCE THE RISK OF INJURY TO PERSONS, IN THE EVENT OF A RANGE TOP GREASE FIRE, OBSERVE THE FOLLOWING<sup>a</sup>:**

- a) SMOTHER FLAMES with a close-fitting lid, cookie sheet, or other metal tray, then turn off the gas burner or the electric element. BE CAREFUL TO PREVENT BURNS. If the flames do not go out immediately, EVACUATE AND CALL THE FIRE DEPARTMENT.
- b) NEVER PICK UP A FLAMING PAN - you may be burned.
- c) DO NOT USE WATER, including wet dishcloths or towels - a violent steam explosion will result.
- d) Use an extinguisher **ONLY** if:
  - 1) You know you have a class ABC extinguisher, and you already know how to operate it.
  - 2) The fire is small and contained in the area where it started.
  - 3) The fire department is being called.
  - 4) You can fight the fire with your back to an exit.

<sup>a</sup> Based on "Kitchen Firesafety Tips" published by NFPA.

### OPERATION

a. Always leave safety grills and filters in place. Without these components, operating blowers could catch onto hair, fingers and loose clothing.

The manufacturer declines all responsibility in the event of failure to observe the instructions given here for installation, maintenance and suitable use of the product. The manufacturer further declines all responsibility for injury due to negligence and the warranty of the unit automatically expires due to improper maintenance.

# Electrical & Installation requirements

## Electrical requirements

### IMPORTANT

Observe all governing codes and ordinances.

It is the customer's responsibility:

To contact a qualified electrical installer.

To assure that the electrical installation is adequate and in conformance with National Electrical Code, ANSI/NFPA 70 — latest edition\*, or CSA Standards C22.1-94, Canadian Electrical Code, Part 1 and C22.2 No.0-M91 - latest edition\*\* and all local codes and ordinances.

If codes permit and a separate ground wire is used, it is recommended that a qualified electrician determine that the ground path is adequate.

Do not ground to a gas pipe.

Check with a qualified electrician if you are not sure range hood is properly grounded.

Do not have a fuse in the neutral or ground circuit.

### IMPORTANT

Save Installation Instructions for electrical inspector's use.

The range hood must be connected with copper wire only.

The range hood should be connected directly to the fused disconnect (Or circuit breaker) box through metal electrical conduit.

Wire sizes must conform to the requirements of the National Electrical Code ANSI/NFPA 70 — latest edition\*, or CSA Standards C22.1-94, Canadian Electrical Code Part 1 and C22.2 No. 0-M91 - latest edition\*\* and all local codes and ordinances.

A U.L.- or C.S.A.-listed conduit connector must be provided at each end of the power supply conduit (at the range hood and at the junction box).

Copies of the standards listed may be obtained from:

\* National Fire Protection Association Batterymarch Park Quincy, Massachusetts 02269

\*\* CSA International 8501 East Pleasant Valley Road Cleveland, Ohio 44131-5575

## Before installing the hood

1. For the most efficient air flow exhaust, use a straight run or as few elbows as possible.  
**CAUTION:** Vent unit to outside of building, only.
2. At least two people are necessary for installation. Wear gloves to protect against sharp edges.
3. Fittings material is provided to secure the hood to most types of walls/ceilings, consult a Qualified Installer, check if they perfectly fit with your cabinet/wall.
4. Do not use flex ducting.
5. COLD WEATHER installations should have an additional backdraft damper installed to minimize backward cold air flow and a nonmetallic thermal break to minimize conduction of outside temperatures as part of the ductwork. The damper should be on the cold air side of the thermal break.  
The break should be as close as possible to where the ducting enters the heated portion of the house.
6. Make up air: Local building codes may require the use of Make-Up Air Systems when using Ducted Ventilation Systems greater than specified CFM of air movement. The specified CFM varies from locale to locale. Consult your HVAC professional for specific requirements in your area.

## List of Materials

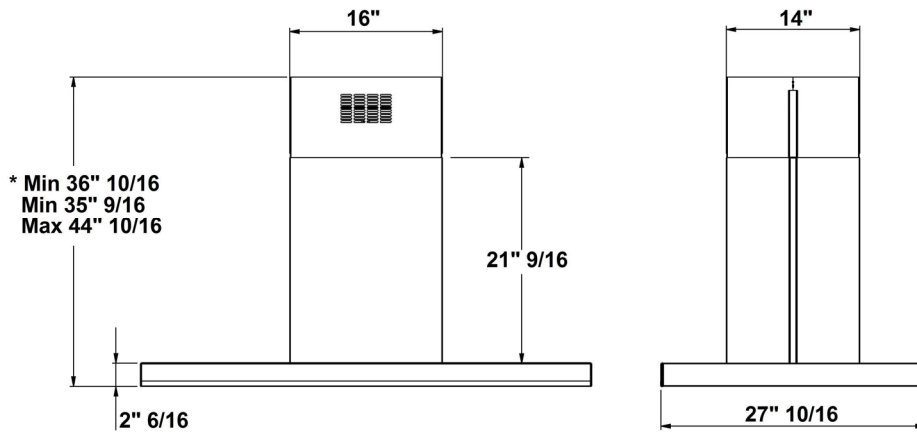
### Parts supplied

- Hood canopy with panel, lamps already assembled.
- Blower unit housing
- Duct Covers
- Grease filter assembly + assembly + fixing devices.
- Deflector (ductless version - 3 pieces to assemble)
- Hardware Packet:
  - Allen spanner x 1
  - Template
  - Use, Care and Installation guide
  - deflector fixing bracket x 2
  - 3,5x9,5 screws x 52
  - 4x7 screws x 14

### Parts not supplied

- Duct, conduit and all tools required for installation.
- **Ductless Recirculating Kit**  
To be used only in the **Ductless (Recirculating) version**  
**includes:** charcoal filter, charcoal filter fixing devices.

## Dimensions and Clearances



\* Ductless (recirculating) version ONLY.

## Ducting Options and Examples

**Closely follow the instructions set out in this manual.**

All responsibility, for any eventual inconveniences, damages or fires caused by not complying with the instructions in this manual, is declined.

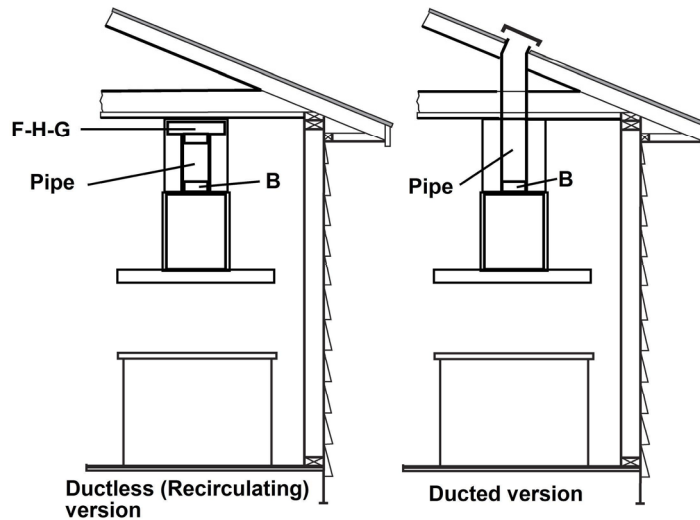
### Venting methods

The hood is equipped with a transition **B** for discharge of fumes to the outside (**Ducting version**).

Should it not be possible to discharge cooking fumes and vapour to the outside, the hood can be used in the **Ductless (Recirculating) version**. Attach a charcoal filter and the deflector **F** on the duct cover support bracket **G**. Fumes and vapours are recycled through the top grille **H** by means of a duct connected to the transition **B** and the transition mounted on the deflector **F**.

**NOTE: For ductless (Recirculating) version only: purchase the Ductless Recirculating Kit.**

**Minimum Duct Size (Ducting/Ductless version): 8" Round Pipe.**



### Preparation

Do not cut a joist or stud unless absolutely necessary. If a joist or stud must be cut, then a supporting frame must be constructed.

Fittings material is provided to secure the hood to most types of walls/ceilings.

However, a qualified technician must verify suitability of the materials in accordance with the type of wall/ceiling.

Before making cutouts, make sure there is proper clearance within the ceiling or wall for exhaust vent.

Hood installation height above cooktop is the users preference. The lower the hood is above the cooktop, the more efficient the capturing of cooking odors, grease and smoke.

**CAUTION: FOR GAS RANGES INSTALLATION: MOUNT THIS HOOD SO THAT THE BOTTOM EDGE IS NOT LESS THAN 30" (76,2 CM) ABOVE THE COOKING SURFACE.**

**FOR ELECTRIC RANGES INSTALLATION: MOUNT THIS HOOD SO THAT THE BOTTOM EDGE IS NOT LESS THAN 24" (61 CM) AND NOT MORE THAT 30" (76,2 CM) ABOVE THE COOKING SURFACE.**

**HOUSEHOLD USE. PLEASE, READ INSTALLATION MANUAL FOR SPECIFIC APPLICATION.**

**Check your ceiling height and the hood height maximum before you select your hood.**

## Installation

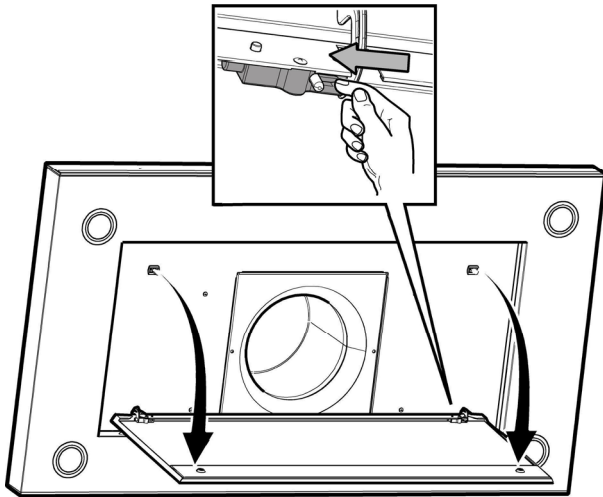
Preparation of the hood for installation:

To facilitate the installation it is recommended to remove the panel before installing the hood.

**Attention! Keep both hands on the panel when disassembling or reassembling it into place to prevent it from falling and causing damage to persons or property.**

**Disassembly:**

- Pull the panel (FRONT SIDE) firmly down,
- Push the small lever, located in the right side of the panel, to the left,
- Unhook it from the rear joints.





## Installation - Ducting version

### 1. Pre-installation calculations

K = Kitchen Height

C = Counter Height (36" standard)

P = Preferred Height of Hood

Bottom above counter (Recommended 24"-30")

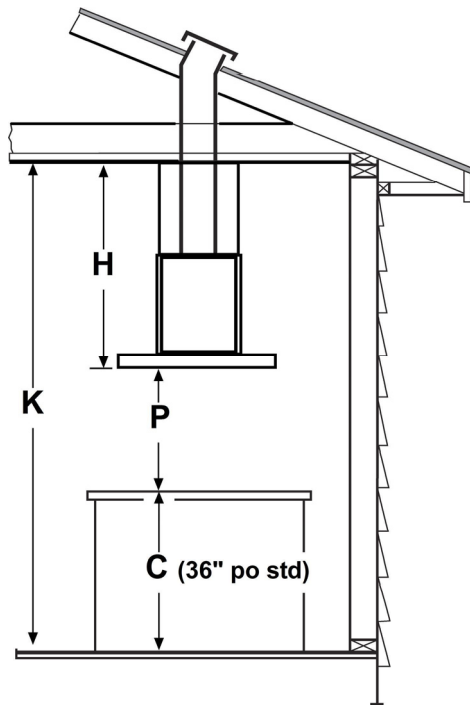
H = Hood height your installation

$H = K - C - P$

a) Select a hood preference height **P** that is comfortable for the user. (from 24" to 30").

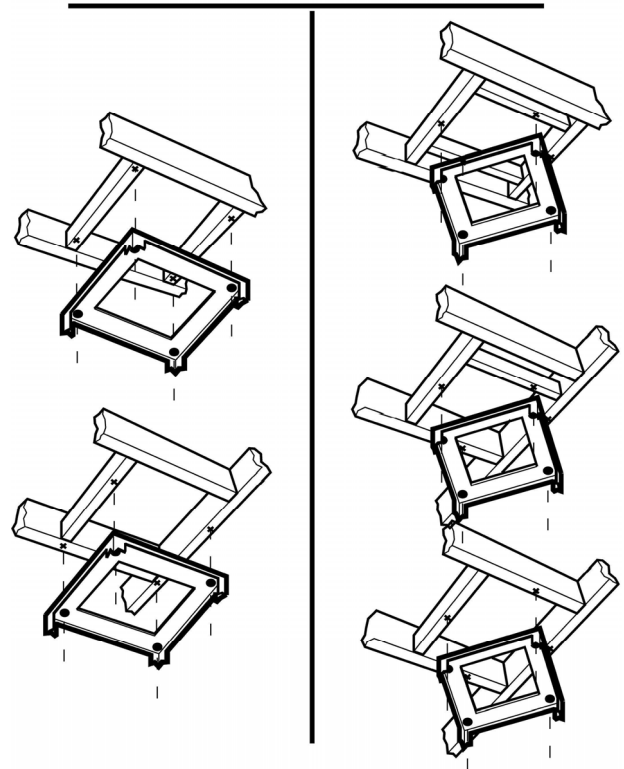
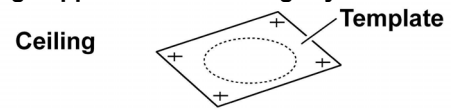
b) Calculate Hood height your installation  $H = K - C - P$ .

c) Confirm that H is within the range of min to max H found for your model (See "Dimensions and clearances" paragraph). If not adjust your installation.



### 2. Preparation of mounting surface

Installing supports above ceiling drywall.



**Note: Take into consideration the hood depth; the hood could be much deeper than the cooktop.**

a. Mark center lines of cooktop or range on ceiling above. Use centerlines marked on ceiling to position the mounting template.

Note location of hood front (that indicated with a printed arrow), side, and mounting holes indicated on template.

**Note:** Remember that printed arrow on template corresponds to front of the hood and consequently to side where control panels will be located at the end of installation)

b. Remove and save template. Cut and remove ceiling drywall. Install suitable length 2" x 4" lumber between joists to provide chimney mounting points as shown above. Use template for dimensions and required clearance.

Make sure to affix the added lumber firmly and level. Consult a professional if you have difficulties or your installation is unique. Consult template and Figs. above.

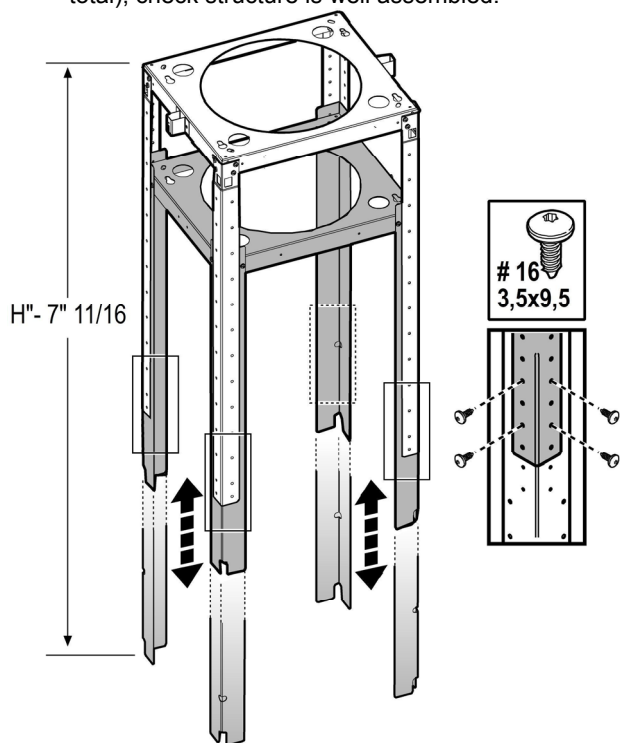
c. Install a 8" exhaust duct and extend length =  $H - 28"$  from ceiling. Duct shall be securely fastened to joists. Do not use duct smaller than specified.

**Attention: Duct installation is not required for non-vented (recirculating) installations**

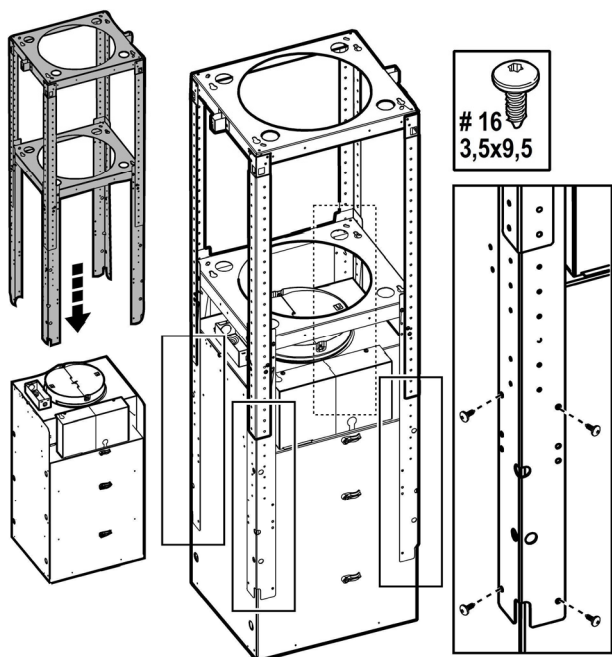
d. Install 1/2" electrical conduit in location marked on template and extend length from ceiling.

Note: If a Remote ventilator installation is required/needed, then provide an additional hole/conduit.

- e. Install drywall around duct and conduit; then refinish ceiling, leave enough clearance for easy installation of chimney structure up to ceiling.
  - f. Tape Template in place and fit 4 screws on mounting holes, do not tighten but leave a space of 1/2", remove the template.
3. a. Regulate chimney structure and fix all assembly parts with 4 screws to each bracket (16 screws in total), check structure is well assembled.



- b. Attach motor housing to chimney structure brackets with 4 screws to each bracket (16 screws in total) check everything is well assembled.

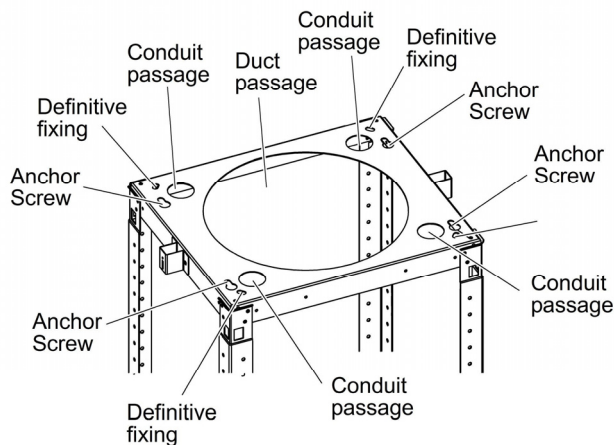


4. Hook the frame onto the 4 screws.

**WARNING**

**Excessive Weight Hazard**  
**Use two or more people to move and install range hood.**  
**Failure to do so can result in back or other injury.**

Make final angular adjustment to structure at ceiling if necessary then securely tighten 4 ceiling lag screws. Fit six additional screws for definitive fixing.

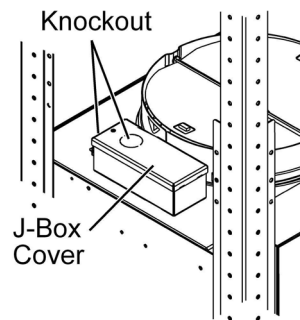


5. Connect the other end of the exhaust pipe to the flue. Seal with tape.
6. **Electrical connection**

**WARNING**  
**Electrical Shock Hazard**  
**Warning: Turn off power circuit at the service panel before wiring this unit.**  
**120 VAC, 15 or 20 Amp circuit required.**

**ELECTRICAL GROUNDING INSTRUCTIONS**  
 THIS APPLIANCE IS FITTED WITH AN ELECTRICAL JUNCTION BOX WITH 3 WIRES, ONE OF WHICH (GREEN/YELLOW) SERVES TO GROUND THE APPLIANCE. TO PROTECT YOU AGAINST ELECTRIC SHOCK, THE GREEN AND YELLOW WIRE MUST BE CONNECTED TO THE GROUNDING WIRE IN YOUR HOME ELECTRICAL SYSTEM, AND IT MUST UNDER NO CIRCUMSTANCES BE CUT OR REMOVED.  
**Failure to do so can result in death or electrical shock.**

Remove the knockout and the Junction box cover and install the conduit connector (cULus listed) in junction box.

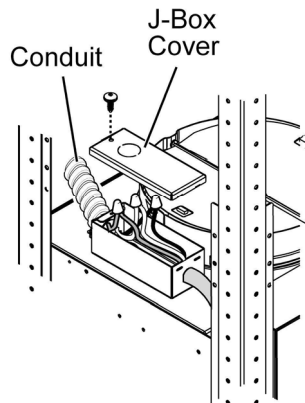


Run 3 wires; black, white and green ,according to the National Electrical Code and local codes and

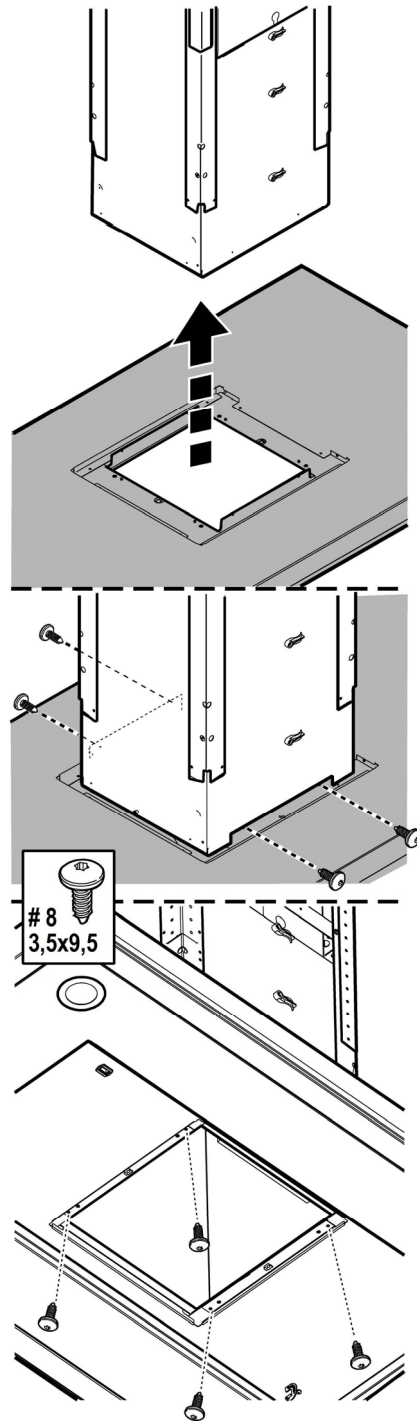
ordinances, in 1/2" conduit from service panel to junction box.

Connect black wire from service panel to black or red in junction box, white to white and green to green-yellow.

Close and secure junction box cover.

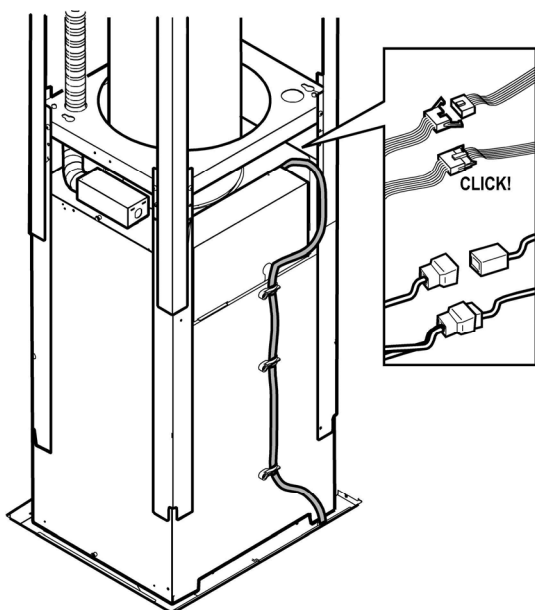


7. Attach the hood to the motor housing using 8 screws:
  - a. First, from above, using 4 screws.  
**Attention:** At this stage, check that cable connection between the hood and the motor housing is not.
  - b. Then from the bottom, using 4 screws.



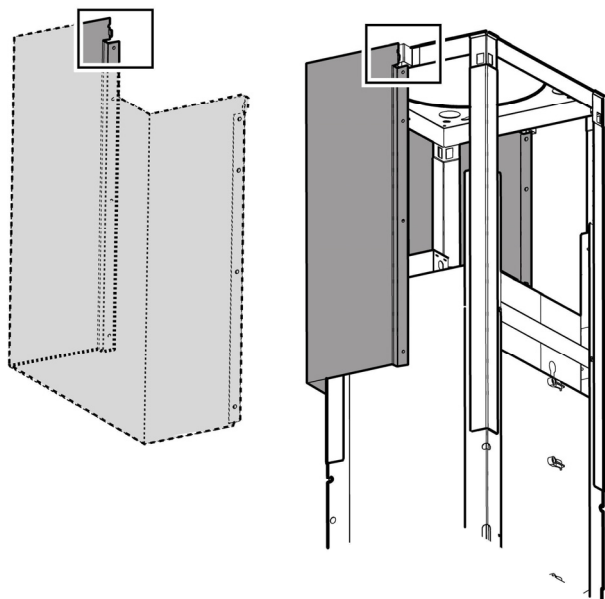
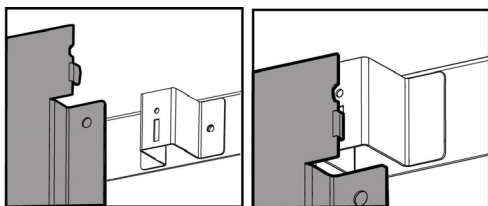
8. Carry out the electrical connection between the hood and the motor housing.

**Note:** Use cable locking straps to position the cable correctly.



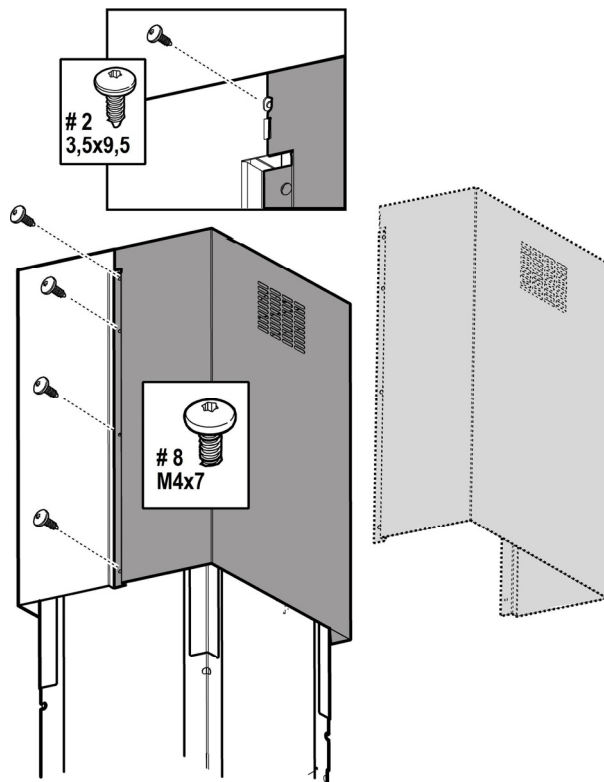
9. Join the 2 upper sections of the duct covering the perforated frame:

a. Verify that hooking fins fit into their corresponding side fitting slots.



- b. Attach at the top using 2 screws (one per side).

c. Permanently attach the two sections of the chimney using 8 screws (4 per side).



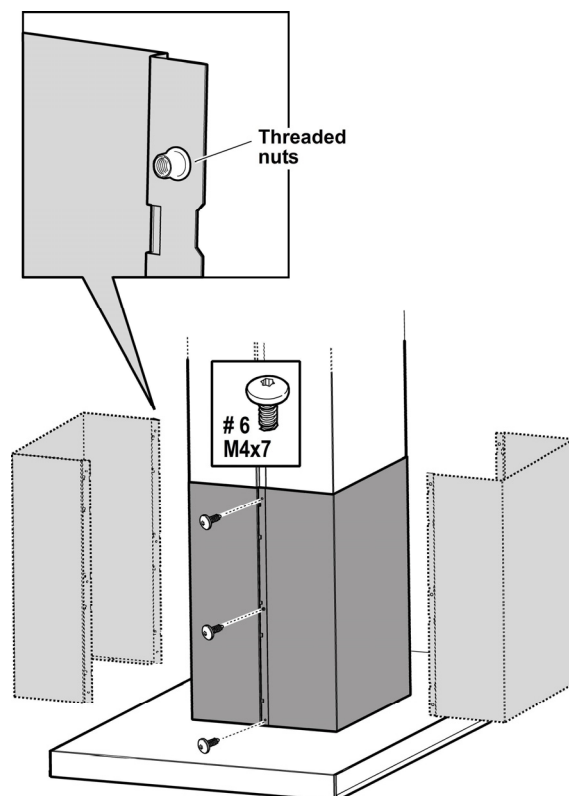
10. Fix the lower chimneys:

a. Place on top of the hood the lower/rear part of the chimney.

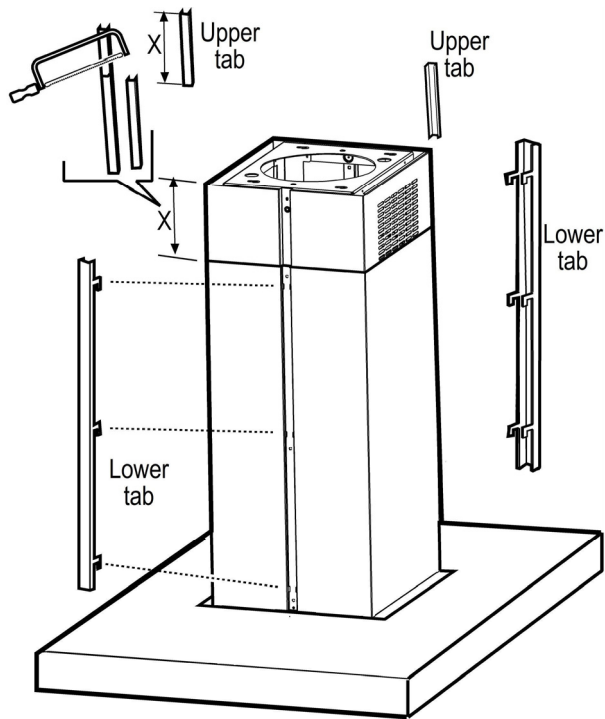
**Note:** the rear section is recognizable by the presence of threaded nuts.

b. Place on top of the hood the lower/front part checking for a good rear section fitting.

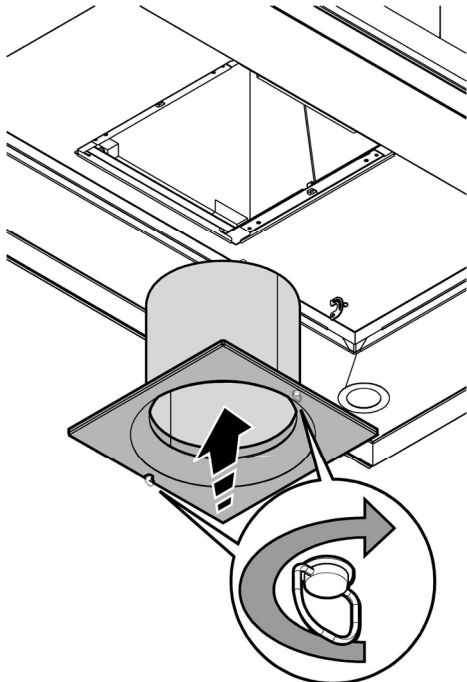
c. Secure using six screws (3 for each side).



**11. Assemble the lower (narrow) trim strips to the lower vent cover assembly.**  
 Cut the upper (wide) trim strips to length to fit the upper duct cover assembly.  
 Assemble the upper trim strips to the upper duct cover assembly.



**12. Install grease filter assembly.**



**13. Reinstall the panel.**

**14. Check all light bulbs to make sure they are secure in their sockets.**  
 Turn power on in service panel.  
 Check lights and blower operation per Care & Use section of this manual.

**If range hood does not operate:**

- Check that the circuit breaker is not tripped or the house fuse blown.
- Disconnect power supply. Check that wiring is correct.

**To get the most efficient use from your new range hood, read the "Use and Care Information" section.**

**Keep your Installation Instructions and Use and Care Guide close to range hood for easy reference.**

## Installation - Ductless (Recirculating) version

### 1. Pre-installation calculations

**K** = Kitchen Height

**C** = Counter Height (36" standard)

**P** = Preferred Height of Hood

Bottom above counter (Recommended 24"-30")

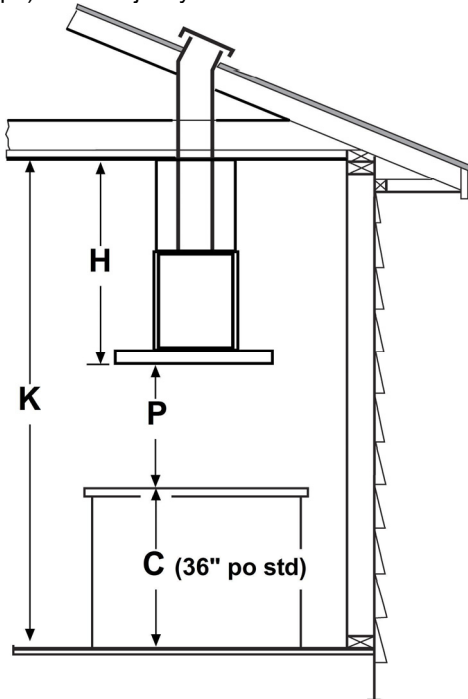
**H** = Hood height your installation

$H = K - C - P$

a) Select a hood preference height **P** that is comfortable for the user. (from 24" to 30").

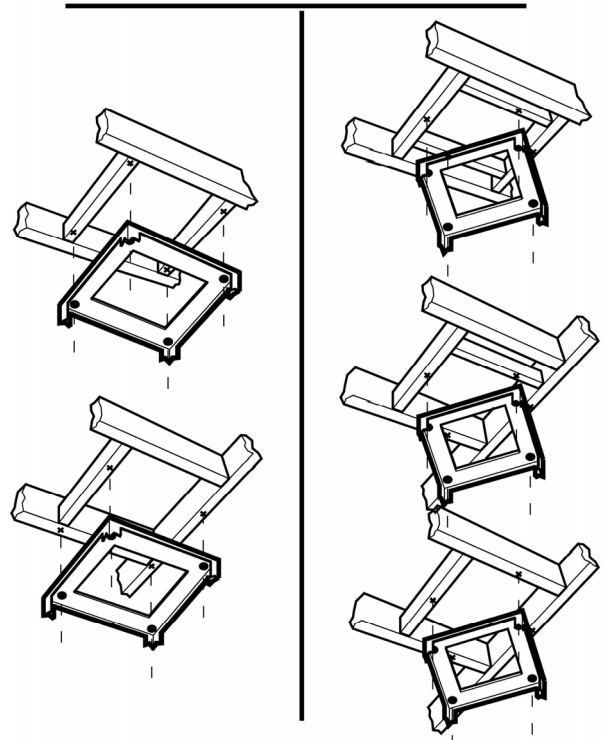
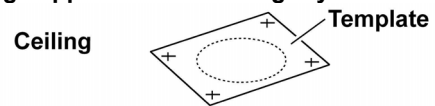
b) Calculate Hood height your installation  $H = K - C - P$ .

c) Confirm that **H** is within the range of min to max **H** found for your model (See "Dimensions and clearances" paragraph). If not adjust your installation.



### 2. Preparation of mounting surface

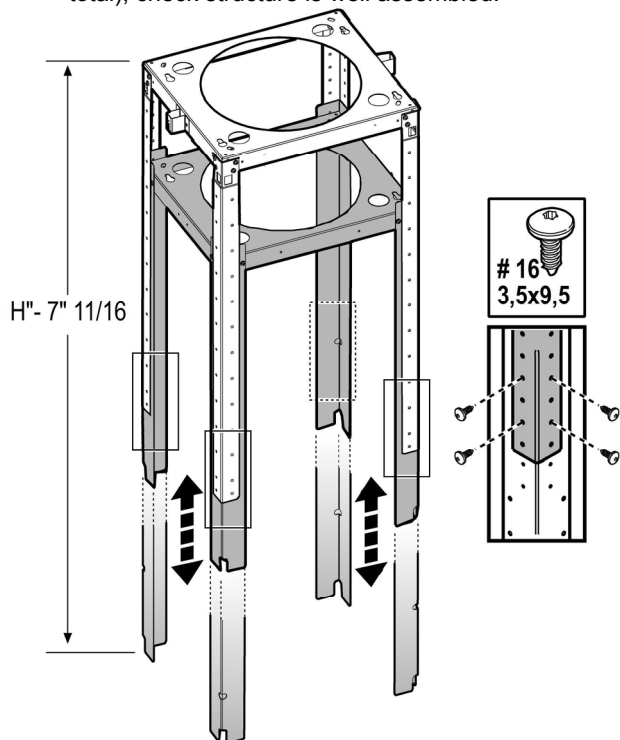
#### Installing supports above ceiling drywall.



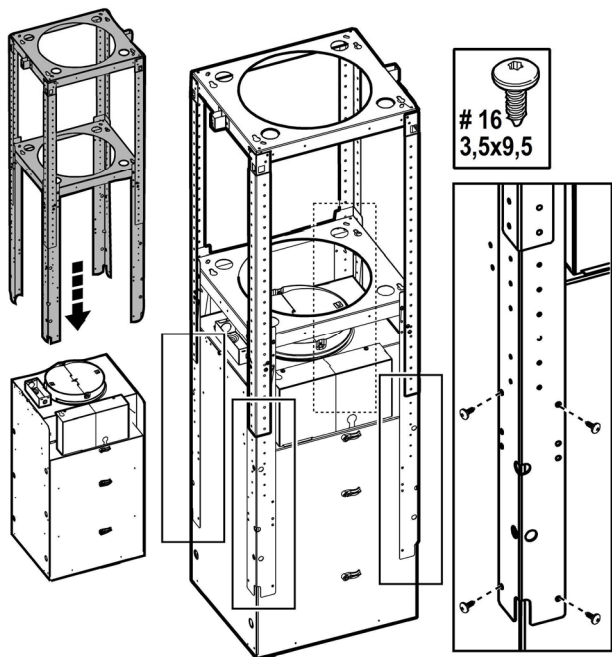
**Note: Take into consideration the hood depth; the hood could be much deeper than the cooktop.**

- Mark center lines of cooktop or range on ceiling above. Use centerlines marked on ceiling to position the mounting template.  
Note location of hood front (that indicated with a printed arrow), side, and mounting holes indicated on template.  
**Note:** Remember that printed arrow on template corresponds to front of the hood and consequently to side where control panels will be located at the end of installation)
- Remove and save template. Cut and remove ceiling drywall. Install suitable length 2" x 4" lumber between joists to provide chimney mounting points as shown above. Use template for dimensions and required clearance.  
Make sure to affix the added lumber firmly and level. Consult a professional if you have difficulties or your installation is unique. Consult template and Figs.above.
- Install 1/2" electrical conduit in location marked on template and extend length from ceiling.  
Note: If a Remote ventilator installation is required/needed, then provide an additional hole/conduit.
- Install drywall around duct and conduit; then refinish ceiling, leave enough clearance for easy installation of chimney structure up to ceiling.
- Tape Template in place and fit 4 screws on mounting holes, do not tighten but leave a space of 1/2", remove the template.

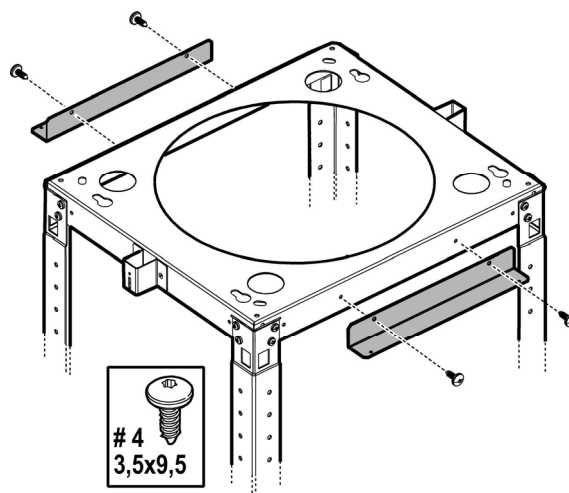
3. a. Regulate chimney structure and fix all assembly parts with 4 screws to each bracket (16 screws in total), check structure is well assembled.



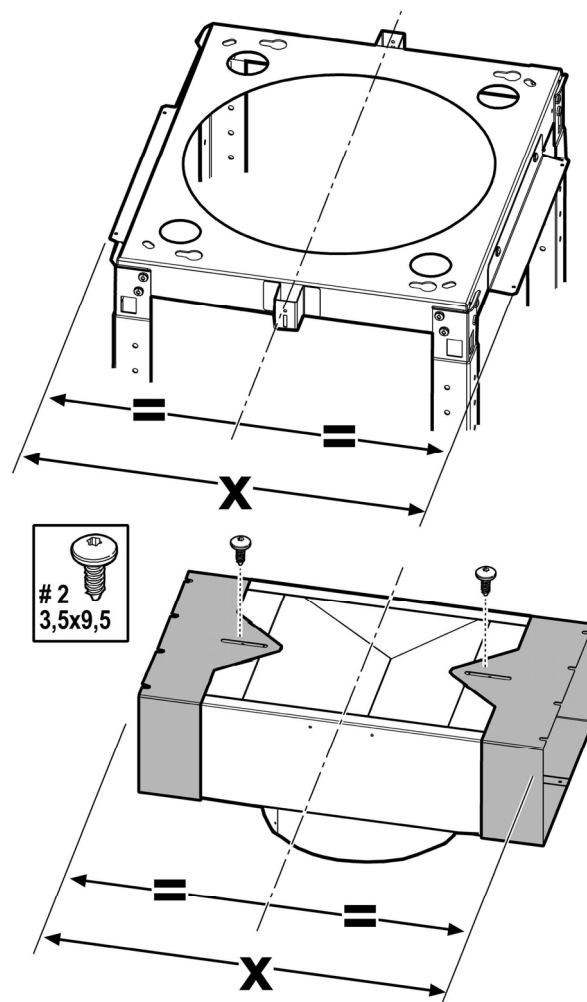
- b. Attach motor housing to chimney structure brackets with 4 screws to each bracket (16 screws in total) check everything is well assembled.



- c. Install two angle brackets (1 per side) for fixing the filtering connection. Each angle bracket is fixed using 2 screws.



- d. Adjust the width of the filtering connection and fix the telescopic sections using 2 screws (one for each section).

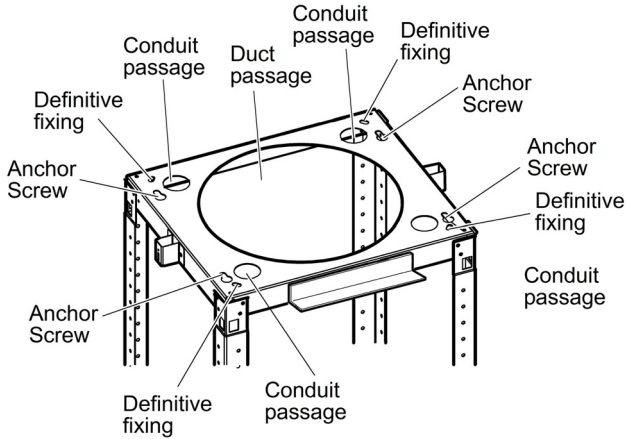


4. Hook the frame onto the 4 screws.

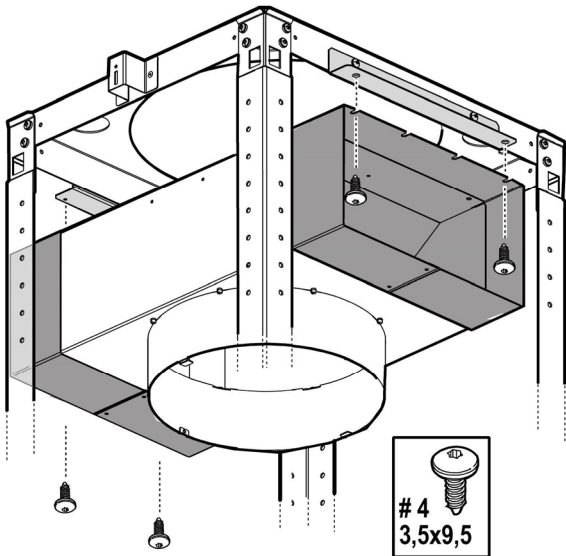
**WARNING**

**Excessive Weight Hazard**  
 Use two or more people to move and install range hood.  
 Failure to do so can result in back or other injury.

Make final angular adjustment to structure at ceiling if necessary then securely tighten 4 ceiling lag screws.  
 Fit six additional screws for definitive fixing.



5. Fit deflector to the truss and secure it to the brackets using 4 screws, then install an exhaust pipe to connection ring located on the deflector to that located on top of the motor housing. Seal with tape



6. Electrical connection

**WARNING**

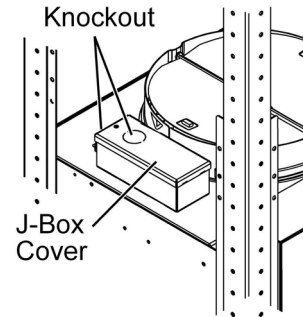
**Electrical Shock Hazard**  
 Warning: Turn off power circuit at the service panel before wiring this unit.  
 120 VAC, 15 or 20 Amp circuit required.

**ELECTRICAL GROUNDING INSTRUCTIONS**

THIS APPLIANCE IS FITTED WITH AN ELECTRICAL JUNCTION BOX WITH 3 WIRES, ONE OF WHICH (GREEN/YELLOW) SERVES TO GROUND THE APPLIANCE. TO PROTECT YOU AGAINST ELECTRIC SHOCK, THE GREEN AND YELLOW WIRE MUST BE CONNECTED TO THE GROUNDING WIRE IN YOUR HOME ELECTRICAL SYSTEM, AND IT MUST UNDER NO CIRCUMSTANCES BE CUT OR REMOVED.

**Failure to do so can result in death or electrical shock.**

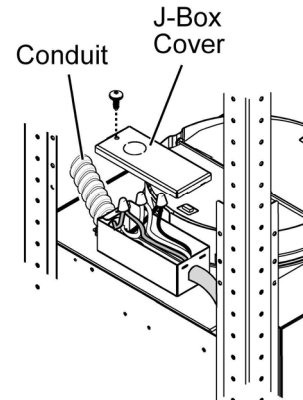
Remove the knockout and the Junction box cover and install the conduit connector (cULus listed) in junction box.



Run 3 wires; black, white and green, according to the National Electrical Code and local codes and ordinances, in 1/2" conduit from service panel to junction box.

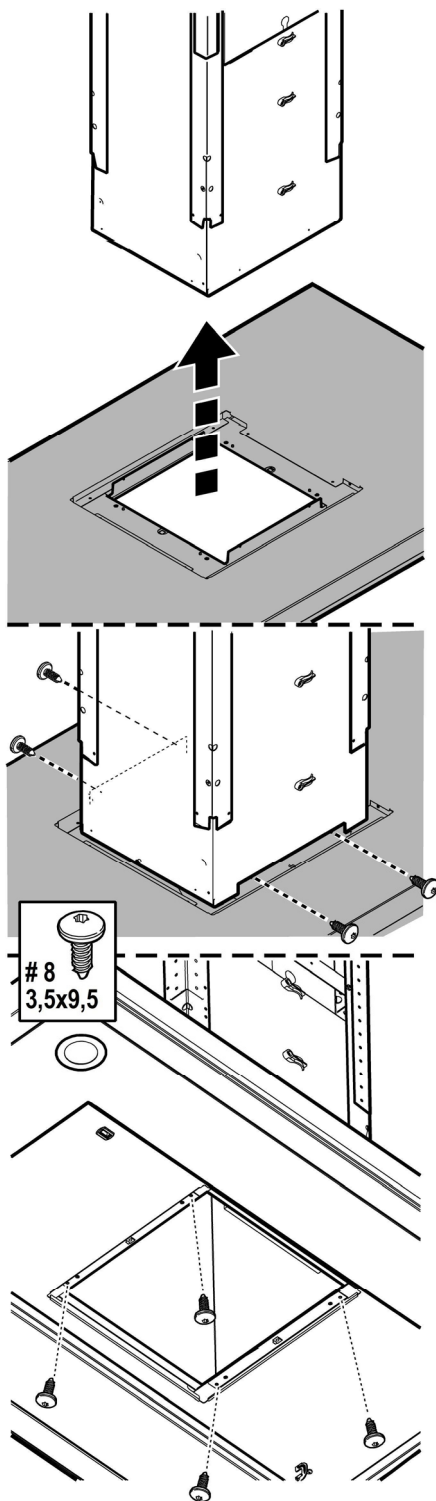
Connect black wire from service panel to black or red in junction box, white to white and green to green-yellow.

Close and secure junction box cover.

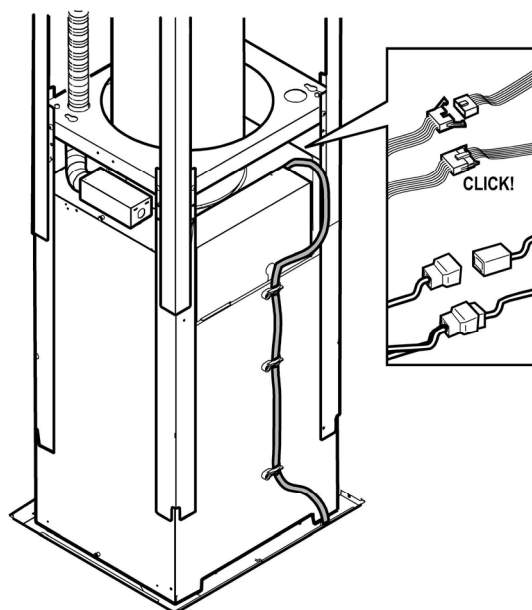




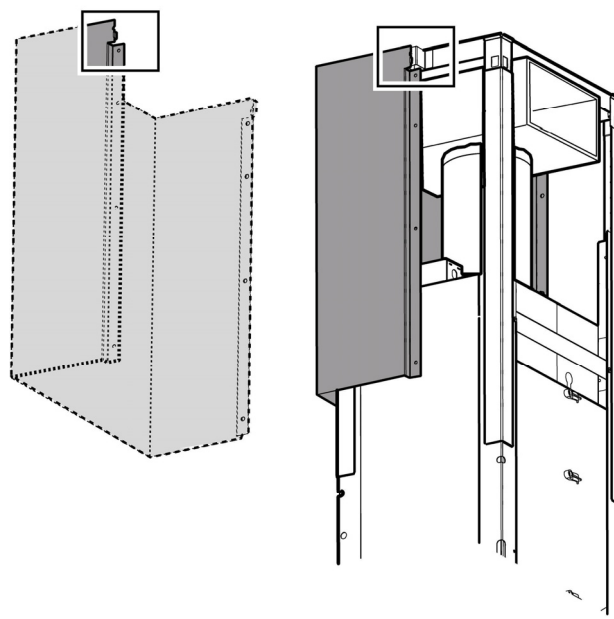
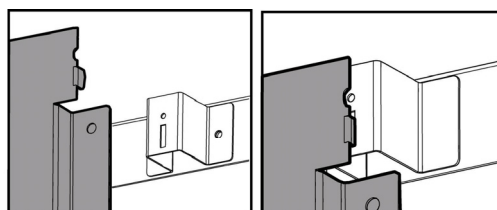
7. Attach the hood to the motor housing using 8 screws:
  - a. First, from above, using 4 screws.  
**Attention:** At this stage, check that cable connection between the hood and the motor housing is not.
  - b. Then from the bottom, using 4 screws.



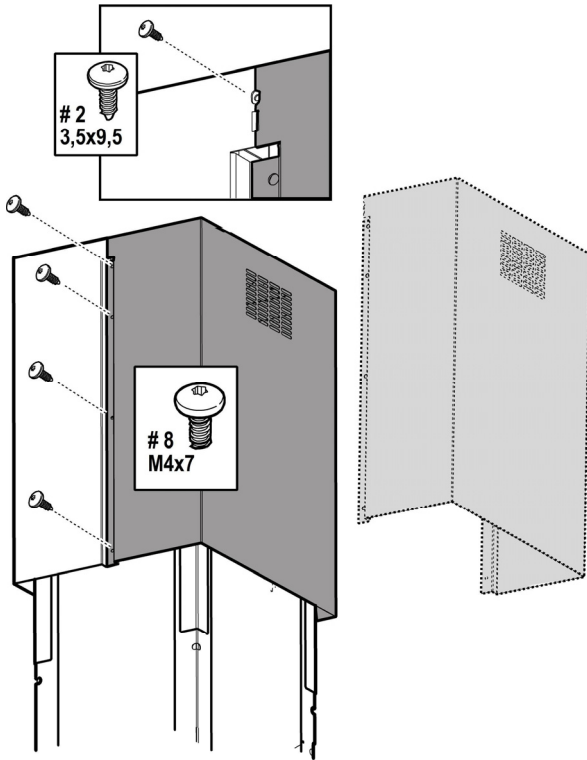
8. Carry out the electrical connection between the hood and the motor housing.  
**Note:** Use cable locking straps to position the cable correctly.



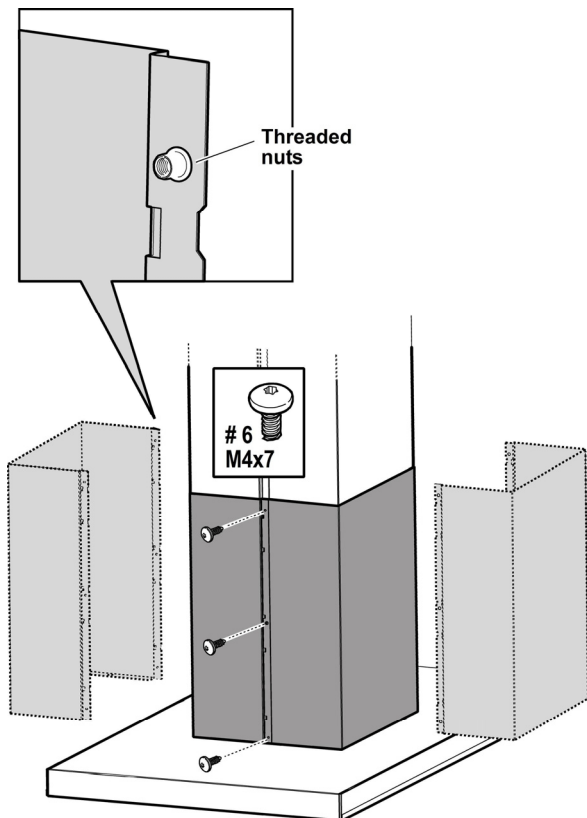
9. Join the 2 upper sections of the duct covering the perforated frame:
  - a. Verify that hooking fins fit into their corresponding side fitting slots.



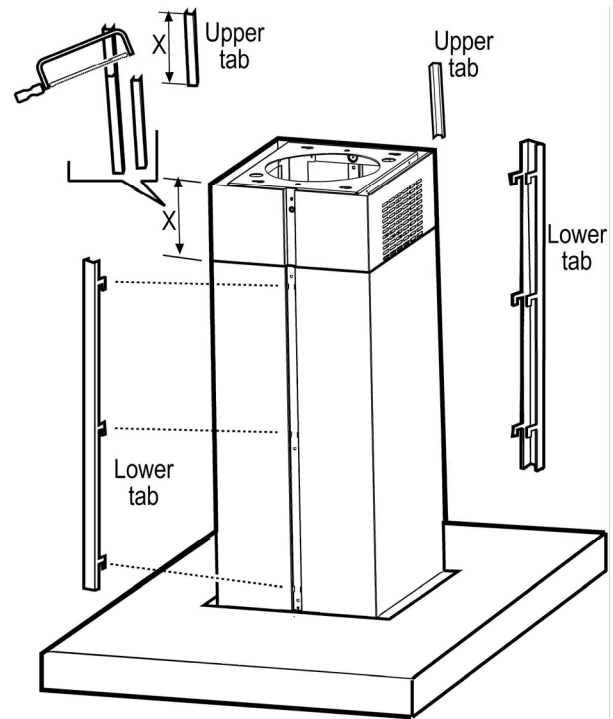
- b. Attach at the top using 2 screws (one per side).
- c. Permanently attach the two sections of the chimney using 8 screws (4 per side).



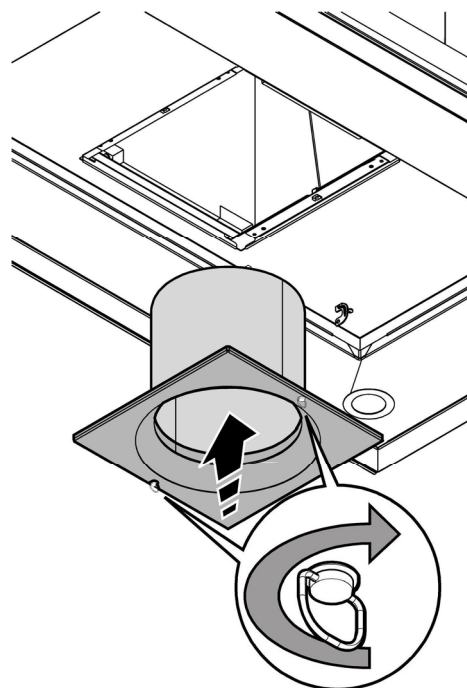
10. Fix the lower chimneys:
- a. Place on top of the hood the lower/rear part of the chimney.
- Note:** the rear section is recognizable by the presence of threaded nuts.
- b. Place on top of the hood the lower/front part checking for a good rear section fitting.
  - c. Secure using six screws (3 for each side).



11. Assemble the lower (narrow) trim strips to the lower vent cover assembly.  
Cut the upper (wide) trim strips to length to fit the upper duct cover assembly.  
Assemble the upper trim strips to the upper duct cover assembly.



20. Install grease filter assembly.



- 13. Reinstall the panel.
- 14. Check all light bulbs to make sure they are secure in their sockets.  
Turn power on in service panel.  
Check lights and blower operation per Care & Use section of this manual.

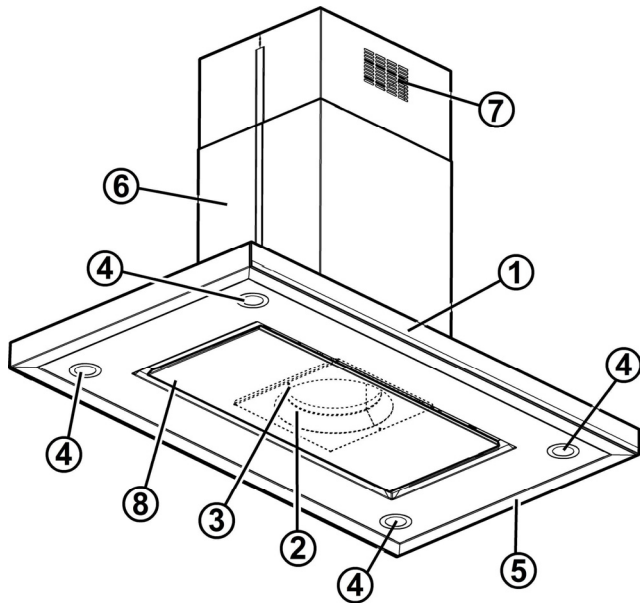
**If range hood does not operate:**

- Check that the circuit breaker is not tripped or the house fuse blown.
- Disconnect power supply. Check that wiring is correct.

**To get the most efficient use from your new range hood, read the “Use and Care Information” section.**

**Keep your Installation Instructions and Use and Care Guide close to range hood for easy reference.**

## Description of the hood & Controls



1. Control panel
2. Grease filter
3. Grease filter release handle
4. Halogen lamp
5. Vapour catcher
6. Telescopic chimney
7. Air outlet (used for filter version only)
8. Panel

## Controls

Use the high suction speed in cases of concentrated kitchen vapours. It is recommended that the cooker hood suction is switched on for 5 minutes prior to cooking and to leave in operation during cooking and for another 15 minutes approximately after terminating cooking.

## Description of control panel

To select the functions of the hood just touch the commands.



**Light key ON/OFF**



**Intensive speed selection key** (suction power) - duration 5 minutes - press again to return to previous setting.



**High-speed selection key** (suction power).



**Medium-speed selection key** (suction power) - when flashing it indicates the need to wash or replace the carbon filter. This signal is normally deactivated. To activate the alarm, disable the electronic by pressing the **0** button for 3 seconds.

Next, simultaneously press buttons **1** and **2** for 3 seconds; at first, only button **1** will flash, then both buttons **1** and **2** will flash to indicate activation. Repeat the procedure to deactivate the alarm; at first buttons **1** and **2** will flash and subsequently only button **1** to indicate deactivation.



**Low-speed selection key** (suction power) – when flashing it indicates the need to wash the fats filter.



**Motor key OFF** (stand by) – excludes the electronics – reset wash/replace filters signals.

### **MOTOR OFF**

Press briefly to switch the motor off.

### **RESET FILTERS SIGNALS**

In functioning mode, after carrying out filter maintenance, press the key until hearing the sound signal. The flashing LED **1** (grease filter) or **2** (carbon filter) stops flashing.

### **EXCLUDING THE ELECTRONICS**

Press the key for 3 seconds. The hood command electronics will be excluded.

This function can be useful during the product cleaning operations.

Just repeat the operation to reinsert the electronics.

If the hood fails to operate correctly, briefly disconnect it from the mains power supply for almost 5 sec. by pulling out the plug. Then plug it in again and try once more before contacting the Technical Assistance Service.

## User Servicing and Maintenance Instructions

**ATTENTION!** Before performing any maintenance operation, isolate the hood from the electrical supply by switching off at the connector and removing the connector fuse.

Or if the appliance has been connected through a plug and socket, then the plug must be removed from the socket.

### Cleaning

The cooker hood should be cleaned regularly (at least with the same frequency with which you carry out maintenance of the fat filters) internally and externally. Clean using the cloth dampened with neutral liquid detergent. Do not use abrasive products. **DO NOT USE ALCOHOL!**

**WARNING:** Failure to carry out the basic cleaning recommendations of the cooker hood and replacement of the filters may cause fire risks.

Therefore, we recommend observing these instructions.

The manufacturer declines all responsibility for any damage to the motor or any fire damage linked to inappropriate maintenance or failure to observe the above safety recommendations.

#### Maintenance of the panel

**Attention!** Hold the panel with both hands when dismantling and re-mounting in position to avoid it falling and causing damage to people or things.

#### Dismantling:

1. pull out firmly (LOWER SIDE) and rotate upwards.
2. push to the left the small lever located on the right side of the panel..
3. unhook it from the back hinges.

#### Cleaning:

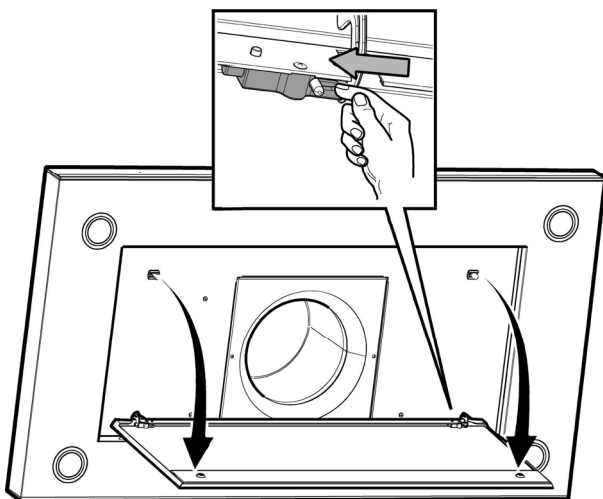
Clean the suction panel with the same frequency as the fats filter using a cloth soaked in neutral liquid detergents.

Avoid the use of products containing abrasives. **DO NOT USE ALCOHOLS.**

#### Montage:

The panel must be hooked at the back and fixed in front fitted into the pins for the purpose on the surface of the hood.

**Attention!** always check that the panel is well fixed in its place.

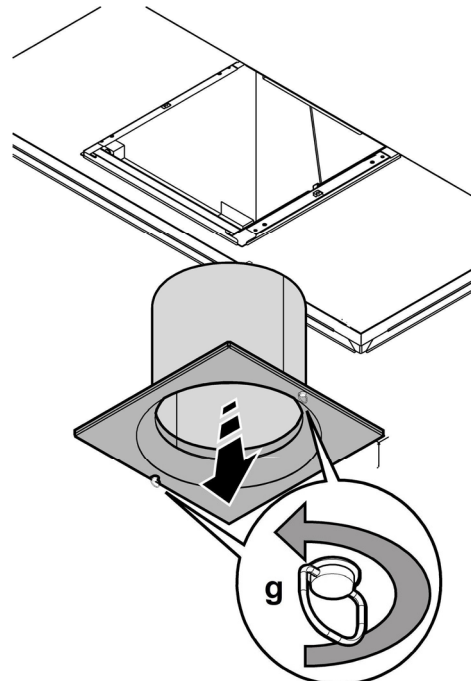


### Grease Filter

**Traps cooking grease particles.**

**The grease filter** must be cleaned once a month using non aggressive detergents, either by hand or in the dishwasher, which must be set to a low temperature and a short cycle. When washed in a dishwasher, the grease filter may discolour slightly, but this does not affect its filtering capacity.

Remove the filter holder frame by turning the knobs (**g**) 90° that affix the chimney to the cooker hood.

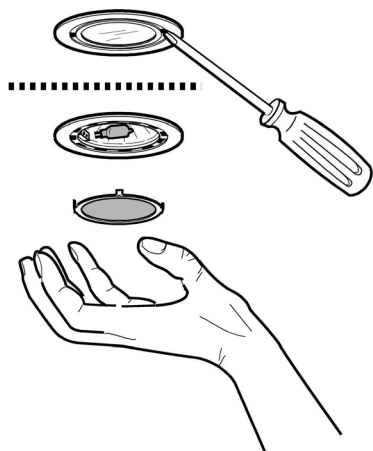


## Replacing the light bulb

Disconnect the appliance from the electricity.

**Warning!** Prior to touching the light bulbs ensure they are cooled down.

Replace the old light bulb with the one of the same type as specified in the feature label or near the light lamp on the hood.



1. Using a flat head screwdriver or equivalent tool, carefully pry loose the light cover.
2. Remove the damaged light and replace with a new 12 Volt, 20 Watt (Maximum) halogen light made for a G-4 base SUITABLE FOR USE IN OPEN LUMINAIRES. Follow package directions and do not touch new light with bare hands.
3. Reinstall the light cover. (it will snap shut).  
If the lights do not work, make sure that the lamps are fitted properly into their housings before you call for technical assistance.

## Charcoal Filter

**It absorbs unpleasant odours caused by cooking.**

The charcoal filter can be washed once every two months (or when the filter saturation indication system – if envisaged on the model in possession – indicates this necessity) using hot water and a suitable detergent, or in a dishwasher at 65°C (if the dishwasher is used, select the full cycle function and leave dishes out).

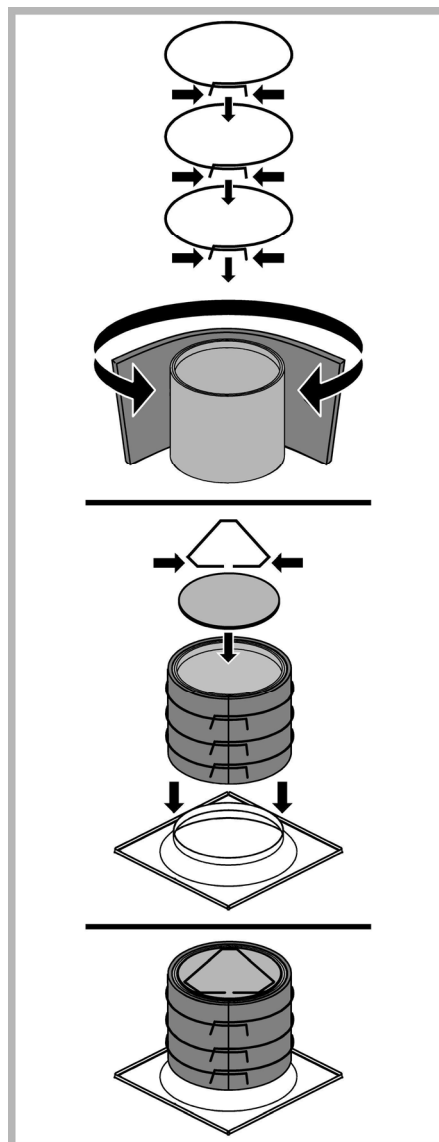
Eliminate excess water without damaging the filter, then put it in the oven for 10 minutes at 100° C to dry completely. Replace the mattress every 3 years and when the cloth is damaged.

### Assembly

Place the mat around the grease filter and fix it in place using the devices provided.

Position the upper cap and fix it in place using the fixing pin.

To disassemble, perform the steps in the reverse order.



## Warranty

### ***ELICA North America* TWO-YEARS LIMITED WARRANTY**

#### **TO OBTAIN SERVICE UNDER WARRANTY**

Owner must present proof of original purchase date. Please keep a copy of your dated proof of purchase (sales slip) in order to obtain service under warranty.

#### **PARTS AND SERVICE WARRANTY**

For the period of two (2) years from the date of the original purchase, Elica will provide free of charge, non consumable parts or components that failed due to manufacturing defects. During these two (2) years limited warranty, Elica will also provide free of charge, all labor and in-home service to replace any defective parts.

#### **WHAT IS NOT COVERED**

- Damage or failure to the product caused by accident or act of God, such as, flood, fire or earthquake.
- Damage or failure caused by modification of the product or use of non-genuine parts.
- Damage or failure to the product caused during delivery, handling or installation.
- Damage or failure to the product caused by operator abuse.
- Damage or failure to the product caused by dwelling fuse replacement or resetting of circuit breakers.
- Damage or failure caused by use of product in a commercial application.
- Service trips to dwelling to provide use or installation guidance.
- Light bulbs, metal or carbon filters and any other consumable part.
- Normal wear of finish.
- Wear to finish due to operator abuse, improper maintenance, use of corrosive or abrasive cleaning products/pads and oven cleaner products.

#### **WHO IS COVERED**

This warranty is extended to the original purchaser for products purchased for ordinary residential use in North America (Including the United States, Guam, Puerto Rico, US Virgin Islands & Canada).

This warranty is non-transferable and applies only to the original purchaser and does not extend to subsequent owners of the product. This warranty is made expressly in lieu of all other warranties, expressed or implied, including, but not limited to any implied warranty of merchantability or fitness for a particular purpose and all other obligations on the part of Elica North America, provided, however, that if the disclaimer of implied warranties is ineffective under applicable law, the duration of any implied warranty arising by operation of law shall be limited to two (2) years from the date of original purchase at retail or such longer period as may be required by applicable law.

This warranty does not cover any special, incidental and/or consequential damages, nor loss of profits, suffered by the original purchaser, its customers and/or the users of the Products.

#### **WHO TO CONTACT**

To obtain Service under Warranty or for any Service Related Question Please Call:

- Elica North America Authorized Service at (888) 732-8018  
Or by Writing To:
- Elica North America, Attention Customer Service  
6658 156th Avenue SE,  
Bellevue, WA 98006 USA  
infoamericas@elica.com

# French

## Sommaire

<b>Avis de sécurité important</b> .....	<b>25</b>
<b>Exigences électriques et exigences d'installation</b> .....	<b>26</b>
Exigences électriques .....	26
Avant d'installer la hotte.....	26
<b>Liste des pièces</b> .....	<b>27</b>
Pièces fournies .....	27
Pièces non fournies .....	27
<b>Dimensions et Dégagement</b> .....	<b>27</b>
<b>Exemples et possibilités de positionnement des conduits</b> .....	<b>28</b>
Méthodes de ventilation .....	28
Préparation .....	28
<b>Installation</b> .....	<b>29</b>
Préparation de la hotte pour l'installation:.....	29
Installation - Version à conduit.....	30
Installation - Version sans conduit (Recyclage).....	35
<b>Description de la hotte et des commandes</b> .....	<b>41</b>
Commandes.....	41
<b>Instructions pour l'entretien, utilisateur et la maintenance</b> .....	<b>42</b>
Nettoyage.....	42
Filtre à graisse .....	42
Remplacement des ampoules .....	43
Filtres à charbon .....	43
<b>Garantie</b> .....	<b>44</b>

**APPROUVÉ POUR LES APPAREILS DE TYPE RÉSIDENTIEL  
POUR UNE UTILISATION RÉSIDENTIELLE SEULEMENT  
LISEZ CES INSTRUCTIONS ET CONSERVEZ-LES**

**VEUILLEZ LIRE CES INSTRUCTIONS AU COMPLET AVANT DE COMMENCER.**

**L'INSTALLATION DE L'APPAREIL DOIT RESPECTER TOUS LES CODES EN VIGUEUR.**

**IMPORTANT : Conservez ces instructions afin de pouvoir les remettre à l'inspecteur-électricien de votre région.**

**INSTALLATEUR : Veuillez laisser ces instructions avec l'appareil pour le propriétaire.**

**PROPRIÉTAIRE : Veuillez conserver ces instructions pour pouvoir vous y référer plus tard.**

**Avertissement de sécurité : Coupez l'alimentation du circuit dans le panneau électrique et verrouillez le panneau avant de raccorder les fils de cet appareil.**

**Exigence : 120 V c.a., 60 Hz circuit de dérivation de 15 V c.a., 20 Hz, de 15 ou 20 A.**



# LISEZ CES INSTRUCTIONS ET CONSERVEZ-LES

## Avis de sécurité important

### ATTENTION

UTILISER CET APPAREIL À DES FINS DE VENTILATION GÉNÉRALE SEULEMENT. **NE PAS UTILISER CET APPAREIL POUR ÉVACUER DES MATÉRIAUX OU DES VAPEURS DANGEREUX OU EXPLOSIFS.**

### AVERTISSEMENT

**POUR RÉDUIRE LES RISQUES D'INCENDIE, DE CHOC ÉLECTRIQUE ET DE BLESSURE, RESPECTER LES DIRECTIVES SUIVANTES :**

- A. Utiliser cet appareil uniquement aux fins prévues par le fabricant. Si vous avez des questions à propos de l'appareil, communiquez avec le fabricant.
- B. Avant de faire l'entretien de l'appareil ou de le nettoyer, coupez l'alimentation dans le panneau électrique et verrouillez le panneau en bloquant le dispositif permettant d'empêcher d'activer l'alimentation accidentellement. S'il n'est pas possible de verrouiller l'accès au panneau, fixez une étiquette très voyante au panneau électrique.
- C. Une personne qualifiée doit effectuer l'installation et le câblage des fils électriques en conformité avec tous les codes et toutes les normes, y compris la cote de résistance au feu.
- D. Il est important de prévoir suffisamment d'air pour assurer une bonne combustion de l'équipement de chauffe et l'évacuation adéquates des gaz par le conduit de cheminé afin de prévenir les refoulements d'air. Respectez les directives et les normes de sécurité des fabricants de l'équipement de chauffage, comme celles publiées par la National Fire Protection Association (NFPA), la American Society for Heating, Refrigeration and Air Conditioning Engineers (ASHRAE) et le code des autorités de votre région.
- E. Au moment de couper ou de percer un mur ou un plafond, assurez-vous de ne pas endommager la filerie électrique ou tout autre accès à un service publique.
- F. Il faut toujours évacuer à l'extérieur les systèmes à conduit.

### ATTENTION

**Pour réduire les risques d'incendie et évacuer l'air correctement, assurez-vous que le conduit mène à l'extérieur; il ne faut pas évacuer l'air dans l'espace entre les murs, dans les plafonds, dans les greniers, les vides sanitaires ou les garages.**

### AVERTISSEMENT

**POUR RÉDUIRE DES RISQUES D'INCENDIE, UTILISEZ UNIQUEMENT DES CONDUITS EN MÉTAL.**

Installez cette hotte en respectant toutes les exigences mentionnées.

### AVERTISSEMENT

**Pour réduire les risques d'incendie et de choc électrique, n'utilisez pas cette hotte avec un contrôleur de vitesse à semi-conducteurs.**

### AVERTISSEMENT

**POUR RÉDUIRE LES RISQUES D'INCENDIE DE GRAISSE SUR LES CUISINIÈRES.**

- a) Ne laissez jamais la cuisinière sans surveillance lorsqu'elle est réglée à une haute température. Les débordements par bouillonnement causent de la fumée et des débordements de gras qui peuvent s'enflammer. Faites chauffer l'huile lentement, à une température basse ou moyenne.
- b) Faites toujours fonctionner la hotte lorsque vous utilisez la cuisinière à une haute température ou que vous faites flamber des aliments (P. ex. : crêpes Suzette, cerises jubilé, bœuf au poivre flambé).
- c) Nettoyez les hélices de ventilation fréquemment. Il ne faut pas que la graisse s'accumule sur les filtres ou les hélices.
- d) Utilisez le bon format de casserole. Utilisez toujours un chaudron de taille approprié à l'élément de la cuisinière.

### AVERTISSEMENT

**POUR ÉVITER DE BLESSER QUELQU'UN LORS D'UN INCENDIE DE GRAISSE SUR LA CUISINIÈRE, SUIVRE LES CONSEILS SUIVANTS<sup>a</sup>:**

- a) **ÉTOUFFER LES FLAMMES** avec un couvercle aux dimensions de la tôle de cuisson, une tôle à biscuit ou tout autre plateau métallique, puis couper le gaz ou l'alimentation électrique de la cuisinière. **FAIRE ATTENTION A NE PAS SE BRÛLER.** Si les flammes ne s'éteignent pas immédiatement, **QUITTER LA PIÈCE ET APPELER LES POMPIERS.**
- b) **NE JAMAIS PRENDRE EN MAIN UNE CASSEROLE EN FEU**, vous pourriez vous blesser.
- c) **NE PAS UTILISER D'EAU**, y compris les essuies de vaisselle ou les serviettes humides – une violente explosion due à la vapeur formée pourrait survenir.
- d) Utiliser un extincteur **SEULEMENT** si:
  - 1) Vous êtes sûr d'avoir un extincteur de classe ABC que vous savez utiliser.
  - 2) Le feu est petit et confiné à la zone où il s'est formé.
  - 3) Les pompiers ont été appelés.
  - 4) Vous pouvez lutter contre le feu avec une sortie derrière vous.

<sup>a</sup> Recommandations tirées des conseils de sécurité en cas d'incendie de cuisine publiés par la NFPA.

### MODE OPÉRATEUR

- a. Toujours laisser les grilles de sécurité et les filtres à leur place. Sans la présence de ces derniers, les parties aspirantes pourraient attirer les cheveux, les doigts ou les vêtements.

Le fabricant décline toute responsabilité si les informations détaillées dans ce manuel pour l'installation, l'entretien et l'utilisation adéquate du produit ne sont pas observées. Le fabricant décline en outre toute responsabilité pour d'éventuelles blessures dues à des négligences; en outre, la garantie de l'appareil sera annulée suite à des conditions d'entretien inappropriées. Cet appareil est fabriqué pour un usage interne. Ne pas utiliser cet appareil à l'extérieur.

# Exigences électriques et exigences d'installation

## Exigences électriques

### IMPORTANT

Respectez tous les codes et les ordonnances en vigueur.

Le client a la responsabilité de :

Contactez un électricien-installateur.

Vérifier que l'installation électrique est adéquate et conforme avec le Code national de l'électricité, ANSI/NFPA 70 (la plus récente édition\*), ou les normes C22.1-94, Code canadien de l'électricité, Partie 1 et C22.2 No.0-M91 (La plus récente édition\*\*) de la CSA, ainsi que tous les codes et les ordonnances de votre région.

Si le code le permet et que vous utilisez un fil de mise à la terre distinct, il est recommandé de faire vérifier le chemin du fil par un électricien.

Ne pas mettre l'appareil à la terre sur une conduite de gaz. Consultez un électricien qualifié si vous n'êtes pas certain que la hotte est mise à la terre correctement. N'installez pas un fusible dans le circuit neutre ou le circuit de mise à la terre.

### IMPORTANT

Conservez ces instructions afin de pouvoir les remettre à l'inspecteur-électricien.

La hotte doit être câblée uniquement à l'aide de fils de cuivre.

Il faut raccorder la hotte directement à une boîte à fusible ou à un disjoncteur par l'entremise d'une canalisation électrique en métal.

Le calibre de fil doit être conforme aux exigences du Code national de l'électricité, ANSI/NFPA 70 (La plus récente édition\*), ou les normes C22.1-94, Code canadien de l'électricité, Partie 1 et C22.2 0-M91 (La plus récente édition\*\*) de la CSA, ainsi que tous les codes et les ordonnances de votre région.

Il faut prévoir un connecteur de canalisation approuvé par l'UL ou la CSA à chaque extrémité de la canalisation d'alimentation (À la hotte et à la boîte de jonction).

Vous pouvez obtenir un exemplaire des normes indiquées en vous adressant à :

\* La National Fire Protection Association, Batterymarch Park  
Quincy, Massachusetts, 02269

\*\* La CSA International, 8501 East Pleasant Valley Road,  
Cleveland, Ohio, 44131-5575

## Avant d'installer la hotte

1. Pour assurer la ventilation la plus efficace possible, installez la conduite en ligne droite ou avec le moins de coudes possibles.  
**ATTENTION** : La sortie de la conduite de ventilation doit donner sur l'extérieur.
2. Deux personnes sont nécessaires pour effectuer l'installation. Porter des gants pour se protéger des bords coupants.
3. La quincaillerie fournie permet de fixer la hotte à la plupart des murs et des plafonds; consultez un installateur qualifié pour vous assurer que la quincaillerie fournie est adaptée à votre type de mur ou d'armoire.
4. N'utilisez pas de conduit flexible.
5. Dans le cas des endroits sujets aux TEMPÉRATURES FROIDES, il faut installer un clapet de contre-tirage supplémentaire afin de minimiser le retour d'air froid et un isolant thermique non métallique afin de minimiser la conduction de la température extérieure dans le conduit. Il faut placer le clapet du côté de l'air froid de l'isolant thermique. L'isolant doit être placé le plus près possible de l'endroit où le conduit entre dans la partie chauffée de la maison.
6. Air d'appoint : Le code du bâtiment de votre région peut exiger l'utilisation d'un système d'air d'appoint si vous utilisez un système de ventilation à conduit dont le mouvement d'air dépasse un certain nombre de CFM. Le nombre de pi<sup>3</sup>/min varie d'une région à l'autre. Consultez un professionnel de CVC pour connaître les exigences précises de votre région.

## Liste des pièces

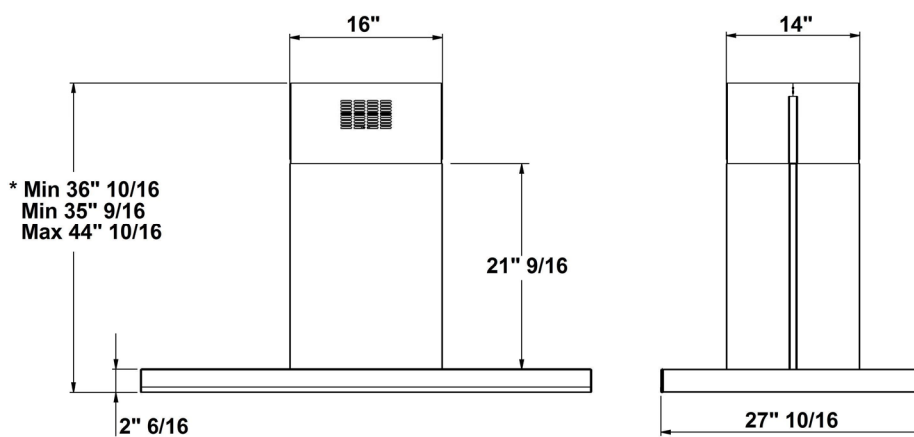
### Pièces fournies

- Chapeau de hotte avec panneau, lampes déjà assemblées.
- Ventilateur
- 4 couvercles de conduits inférieurs et supérieurs
- Ensemble filtre à graisse + assemblage + systèmes de fixation.
- Déflecteur, 3 pièces à assembler (version sans conduit)
- Paquet de quincaillerie:
  - Clé Allen x 1
  - Modèle
  - Guide d'utilisation, d'entretien et d'installation
  - étrier de fixation déflecteur x 2
  - 52 vis 3,5x9,5
  - 14 vis 4x7

### Pièces non fournies

- Conduit, canalisation et tous les outils nécessaires à l'installation.
- **Trousse de conversion en hotte à recyclage** à utiliser seulement avec la **version sans conduit (À recyclage)**  
**comprend** : filtre au charbon et dispositifs de fixation.

## Dimensions et Dégagement



\* Version de hotte à recyclage SEULEMENT

## Exemples et possibilités de positionnement des conduits

Suivez à la lettre les directives présentées dans ce manuel.

Le fabricant refuse toute responsabilité en ce qui a trait à tout préjudice, dommage ou incendie causé par la non observation des directives contenues dans le présent manuel.

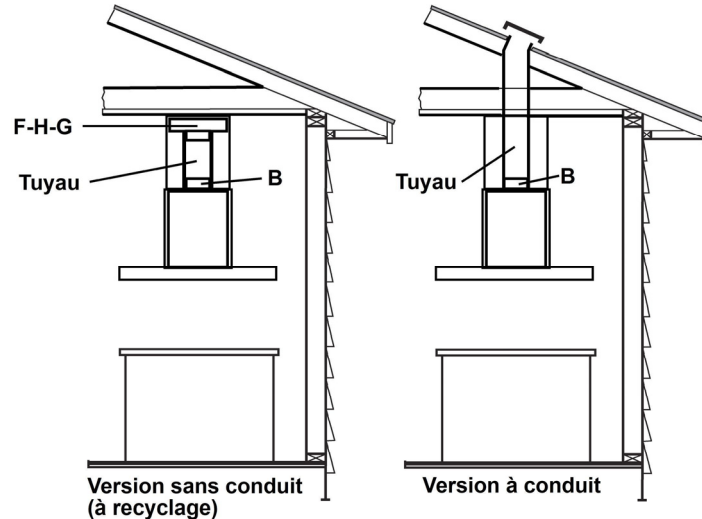
### Méthodes de ventilation

La hotte est dotée d'une **transition B** afin d'évacuer les vapeurs à l'extérieur (**version à conduit**).

S'il s'avère impossible d'évacuer la fumée et les vapeurs de cuisson à l'extérieur, il est possible de transformer la hotte en version **sans conduit (Recyclage)**. Fixer un filtre au charbon et le déflecteur **F** sur le **support de couvercle de conduit G**. La fumée et la vapeur sont recyclées par la **grille supérieure H** par l'entremise d'un conduit raccordé à la transition **B** et à la transition montée sur le déflecteur **F**.

**NOTE : dans le cas de la version sans conduit (À recyclage) seulement : procurez-vous la trousse de conversion en hotte à recyclage.**

**Diamètre minimum des conduit (Version avec ou sans conduit) : tuyau rond de 8 po.**



### Préparation

Ne coupez pas une solive ou un montant à moins qu'il soit absolument nécessaire de le faire. Si vous devez couper une solive ou un montant, vous devez construire un cadre de soutien.

La quincaillerie fournie permet de fixer la hotte à la plupart des murs et des plafonds.

Vous devez cependant demander à un technicien qualifié de vérifier la solidité des matériaux selon le type de mur ou de plafond.

Avant de couper, assurez-vous qu'il y a un dégagement suffisant dans le plafond ou le mur pour passer la conduite de sortie.

Vous pouvez déterminer vous-même la hauteur à laquelle vous installez la hotte au dessus de la cuisinière. Plus la hotte est près de la cuisinière, plus elle est efficace à capter les odeurs de cuisson, la graisse et la fumée.

**ATTENTION: POUR L'INSTALLATION DES CUISINIÈRES À GAZ: METTEZ LA HOTTE AFIN D'AVOIR ENTRE LE BORD INFÉRIEUR DE LA HOTTE ET LE PLAN DE CUISSON UNE DISTANCE QUI NE DEVRAIT PAS ÊTRE INFÉRIEURE DE 30" (76,2 CM).**

**POUR DES CUISINIÈRES ÉLECTRIQUES: LA DISTANCE ENTRE LE BORD INFÉRIEUR DE LA HOTTE ET LE PLAN DE CUISSON NE DÔIT PAS ÊTRE INFÉRIEURE DE 24" (61 CM) ET SUPÉRIEURE DE 30" (76,2 CM).**

**EMPLOI DOMESTIQUE. LIRE ATTENTIVEMENT LE LIVRET INSTRUCTIONS POUR DES APPLICATIONS SPÉCIFIQUES.**

Vérifiez donc la hauteur de votre plafond et la hauteur maximum de la hotte avant de choisir votre modèle de hotte.

## Installation

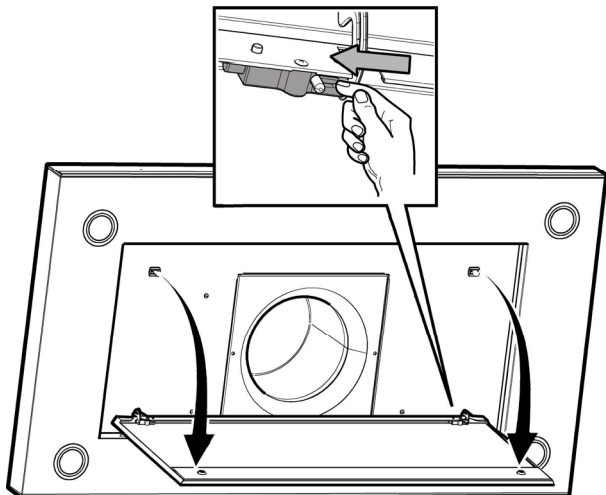
Préparation de la hotte pour l'installation:

Pour faciliter l'installation, il est conseillé d'enlever le panneau avant d'installer la hotte.

**Attention! Tenir le panneau avec les deux mains quand vous l'enlevez ou le replacez en position pour éviter qu'il ne tombe et ne cause des dommages aux personnes ou aux choses.**

**Démontage :**

- tirer le panneau (COTE ANTERIEUR) fermement vers le bas,
- pousser vers la gauche le petit levier se trouvant dans la partie droite du panneau,
- le décrocher des charnières postérieures.



## Installation - Version à conduit

### 1. Calculs avant l'installation

**K** = Hauteur de la cuisine

**C** = Hauteur du comptoir (36 po standard)

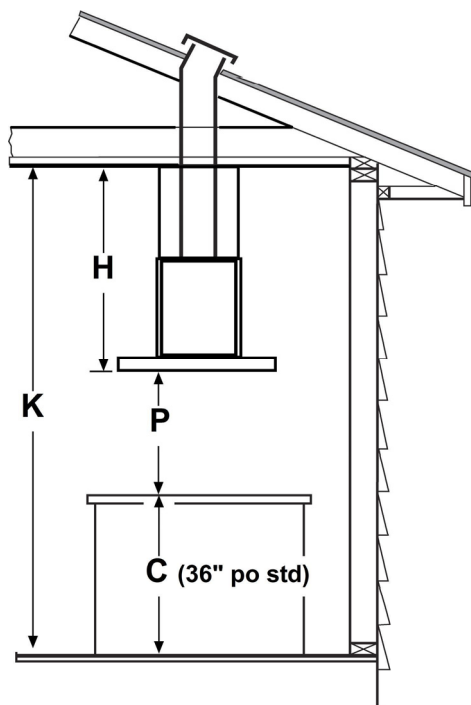
**P** = Hauteur désirée de la hotte

Du bas de la hotte au comptoir (24 po à 30 po recommandé)

**H** = Hauteur de la hotte dans votre installation

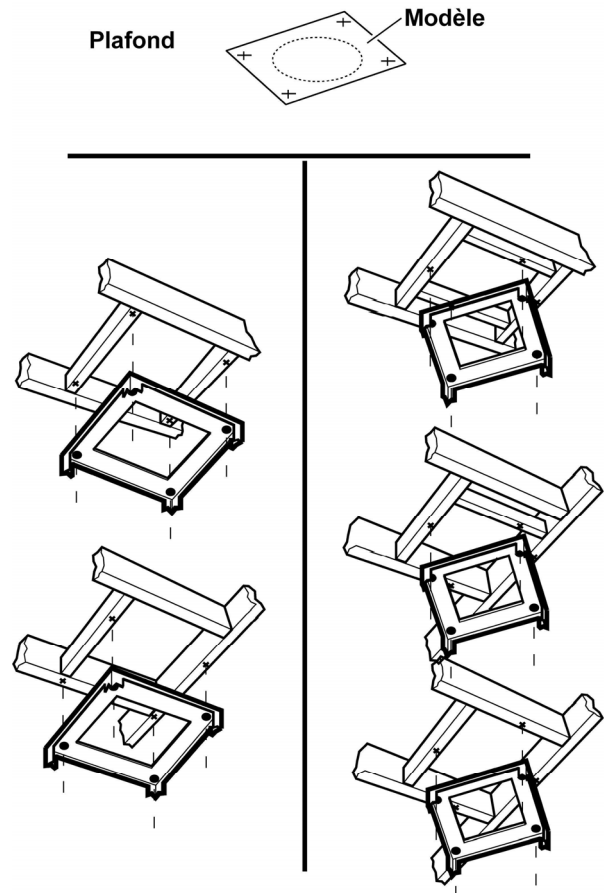
$H = K - C - P$

- Déterminez la hauteur de la hotte **P** qui est confortable pour l'utilisateur. (Entre 24 po et 30 po).
- Calculez la hauteur d'installation de la hotte en utilisant la formule suivante :  $H = K - C - P$ .
- Confirmez que la valeur de **H** se situe entre la valeur minimum et maximum de **H** pour votre modèle (Voir le paragraphe "Dimensions et dégagement"). Si ce n'est pas le cas, ajustez votre installation.



### 2. Préparation de la surface de montage

Installez les supports au-dessus du plafond de cloison sèche.

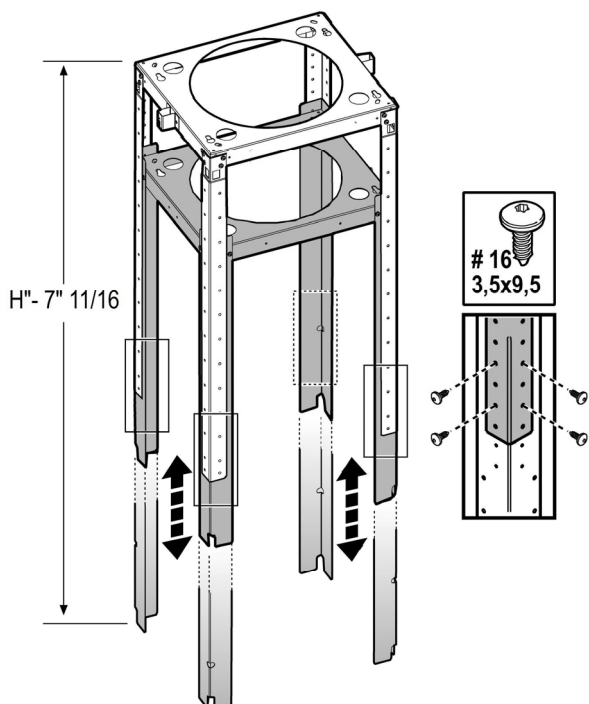


**Note : Tenez compte de la profondeur de la hotte; la hotte peut être beaucoup plus profonde que la surface de cuisson.**

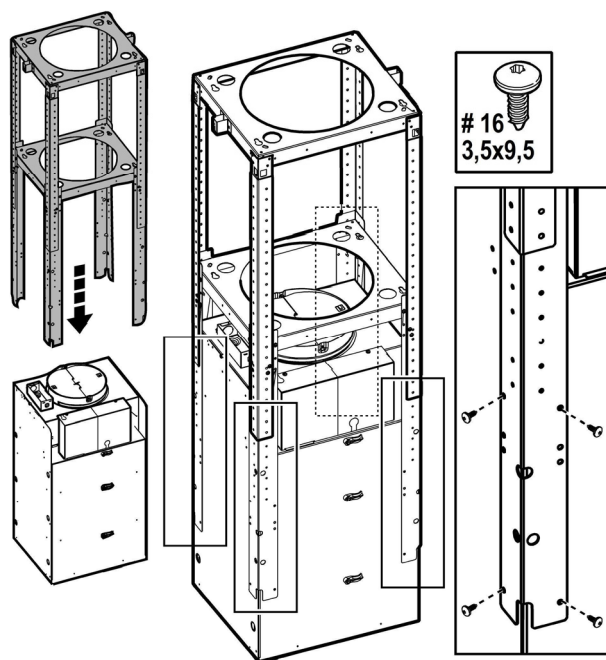
- Marquez les lignes de centre de la surface de cuisson ou de la cuisinière au plafond, au-dessus de l'appareil. Utilisez ces lignes de centre au plafond pour positionner le modèle de montage.  
Notez sur le modèle l'emplacement de l'avant (indiqué avec une flèche) et des côtés de la hotte, ainsi que des ouvertures de montage.  
**Note :** Souvenez-vous que la flèche sur le modèle représente l'avant de la hotte et, donc, le côté où sera installé le panneau de commandes une fois l'appareil installé.
- Enlevez le modèle et conservez-le. Pratiquez une ouverture dans la cloison sèche. Installez un 2 po x 4 po de longueur adéquate entre les montants, qui constituera les points de montage de la cheminée, comme il est indiqué ci-dessus. Pour connaître les dimensions et le dégagement nécessaire, utilisez le modèle.  
Assurez-vous de fixer la pièce de bois solidement et à niveau. Si vous avez des difficultés ou que votre installation comporte des problèmes particuliers, consultez un professionnel. Consultez le modèle et les illustrations ci-dessus.
- Installez un conduit d'évacuation de 8 po d'une longueur =  $H - 28$  po du plafond. Vous devez fixer solidement le conduit aux montants. N'utilisez pas un conduit plus petit que la taille indiquée.

**Attention : Il n'est pas nécessaire d'installer un conduit dans le cas d'une hotte sans conduit (à recyclage)**

- d. Installez une canalisation de 1/2 po à l'emplacement marquée sur le modèle.  
Note : Si vous devez installer un ventilateur distant, prévoyez un ouverture de conduit supplémentaire.
  - e. Installez une cloison sèche autour du conduit et de la canalisation, puis terminez la finition du plafond, prévoyez un dégagement suffisant pour installer facilement la structure de cheminée.
  - f. Fixez le modèle en place à l'aide de ruban adhésif, puis insérez quatre vis dans les ouvertures de montage, ne serrez pas les vis entièrement; laissez un espace de 1/2 po, puis enlevez le modèle.
3. a. Préparez la structure de cheminée et fixez toutes les pièces d'assemblage en utilisant quatre vis à chaque support (16 vis en tout), assurez-vous que la structure est assemblée correctement.



- b. Attacher le caisson du moteur aux étriers de la structure de la cheminée à l'aide de 4 vis pour chaque étrier (16 vis au total), vérifier que tout est bien assemblé.

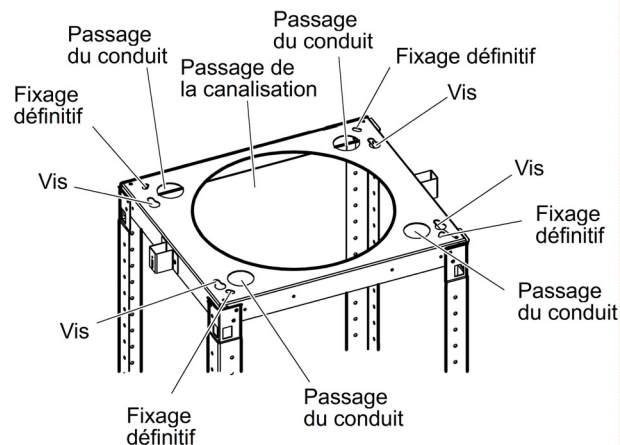


4. Accrochez la structure aux 4 vis.

**AVERTISSEMENT :**

**Danger de poids excessif**  
**Ayez recours à deux personnes pour déplacer et fixer la hotte.**  
**Si une seule personne déplace la hotte, elle risque de se blesser, au dos ou ailleurs.**

Apportez les derniers ajustements angulaires au plafond, au besoin, puis serrez solidement les quatre vis tire-fond.  
 Vissez six autres vis pour fixer l'appareil définitivement.



5. Raccordez l'autre extrémité du tuyau d'évacuation au dispositif d'évacuation de l'habitation. Isoler avec du ruban.

## 6. Connexion électrique

### AVERTISSEMENT

Danger de choc électrique

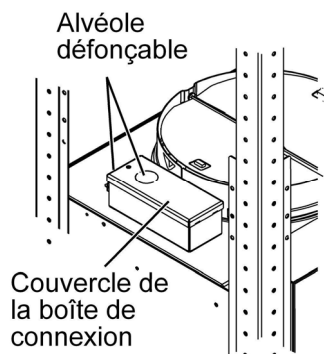
**AVERTISSEMENT : Coupez l'alimentation du circuit dans le panneau électrique avant de raccorder les fils de cet appareil.**

Un circuit de 120 V c.a., de 15 ou 20 A est requis.

INSTRUCTIONS DE MISE À LA TERRE  
CET APPAREIL EST MUNI D'UNE BOÎTE DE JONCTION ÉLECTRIQUE À TROIS FILS, DONT L'UN (VERT/JAUNE) SERT À METTRE L'APPAREIL À LA TERRE. POUR VOUS PROTÉGER CONTRE LES CHOCS ÉLECTRIQUES, VOUS DEVEZ RACCORDER LE FIL VERT/JAUNE AU FIL DE MISE À LA TERRE DU SYSTÈME ÉLECTRIQUE DE VOTRE MAISON. EN AUCUNE CIRCONSTANCE CE FIL DOIT ÊTRE COUPÉ OU ENLEVÉ.

**Le fait de ne pas respecter cette directive peut entraîner la mort ou un choc électrique.**

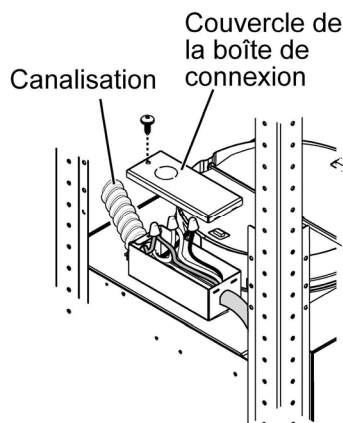
Retirez l'alvéole défonçable et le couvercle de la boîte de jonction et installez un connecteur de canalisation (Listé dans cULus) dans la boîte de jonction.



Passez trois fils, le noir, le blanc et le vert, en respectant les normes du code national de l'électricité, ainsi que les codes et les ordonnances en vigueur dans votre région, dans une canalisation de 1/2 po, du panneau de service à la boîte de jonction.

Raccordez le fil noir du panneau de service au fil noir ou rouge de la boîte jonction, le blanc avec le blanc et le vert avec le vert/jaune.

Fermez le couvercle de la boîte de jonction.

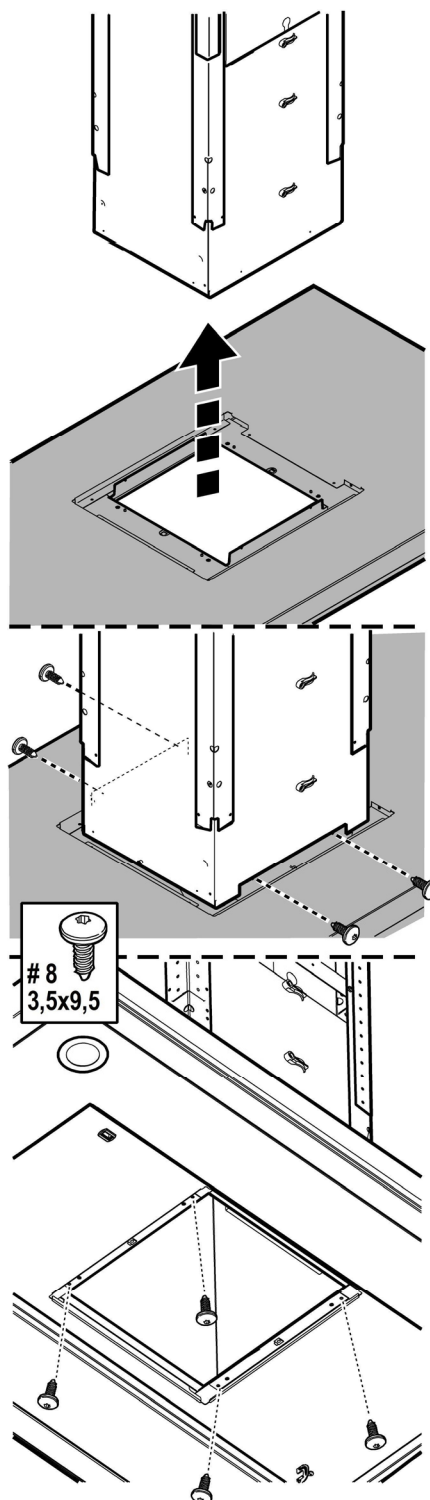


7. Fixer la hotte au caisson moteur à l'aide de 8 vis :

a. d'abord du dessus avec 4 vis.

**Attention:** Durant cette phase, contrôler que les câbles de connexion entre la hotte et le caisson moteur ne soient pas endommagés.

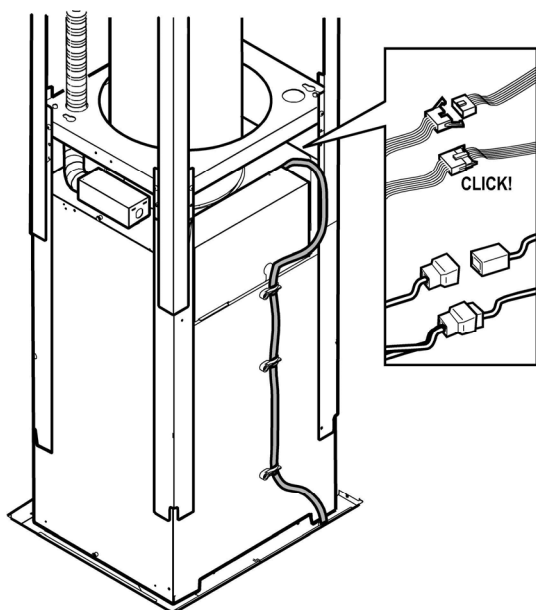
b. ensuite du bas avec 4 vis





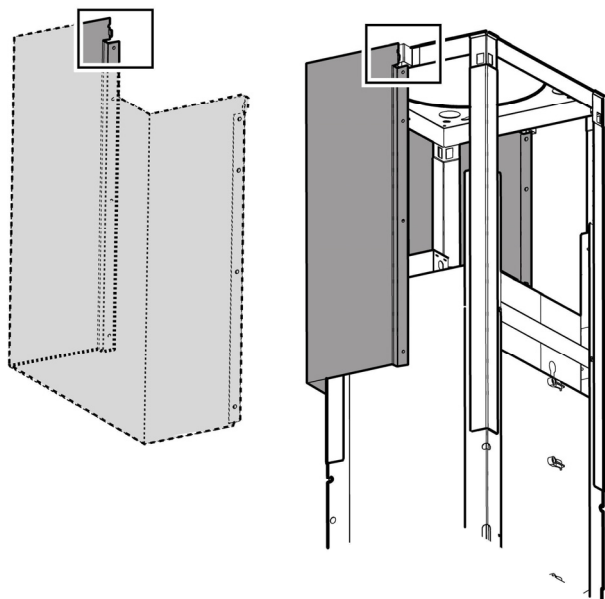
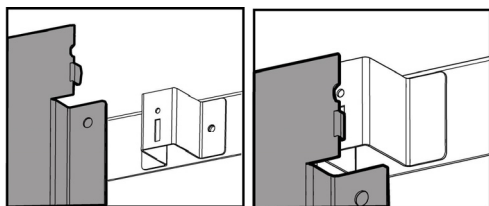
8. Effectuer le raccordement électrique entre la hotte et le caisson moteur.

**Note:** Utiliser le bloque-câble pour placer le câble correctement.



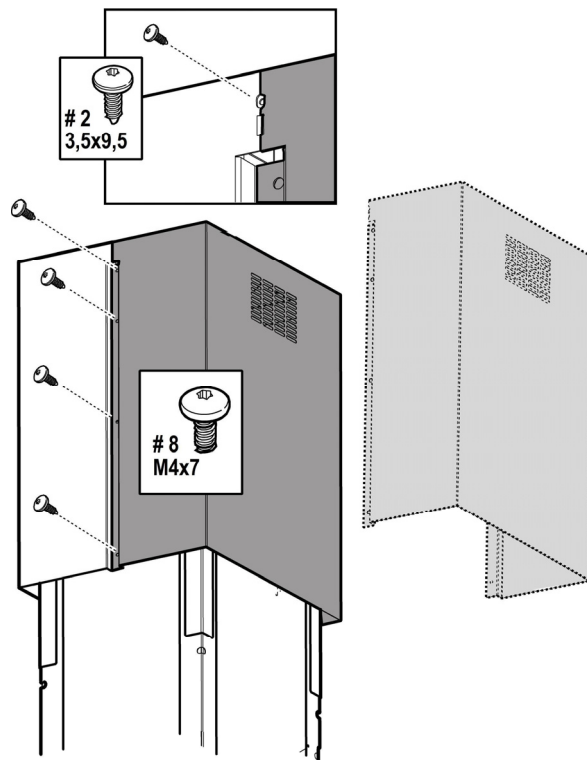
9. Assemblez les 2 sections supérieures de la cheminée pour couvrir le treillis.

a. vérifier que les languettes pour accrocher rentrent dans les fentes latérales prévues.



b. fixer en haut avec 2 vis (une par côté).

c. fixer définitivement les deux sections des cheminées à l'aide des 8 vis (4 par côté).



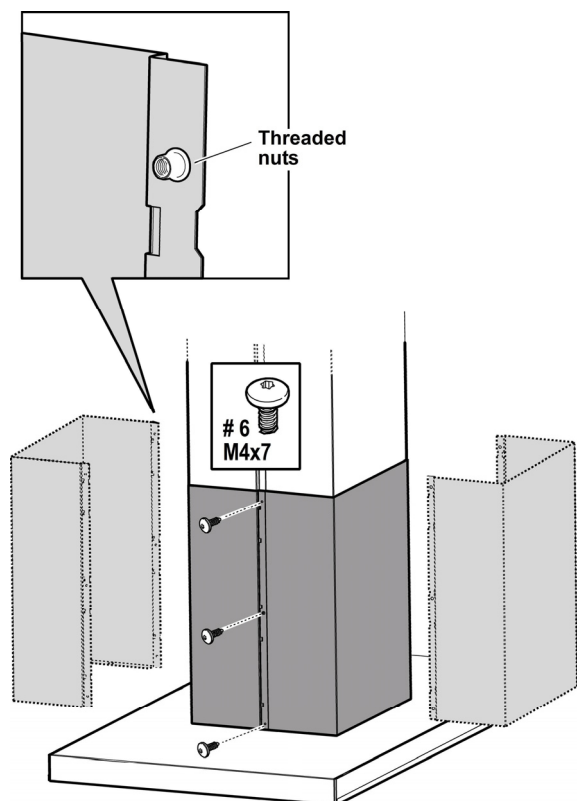
10. Fixer les cheminées inférieures:

a. Poser sur la hotte la section inférieure/postérieure de la cheminée au-dessus de la hotte.

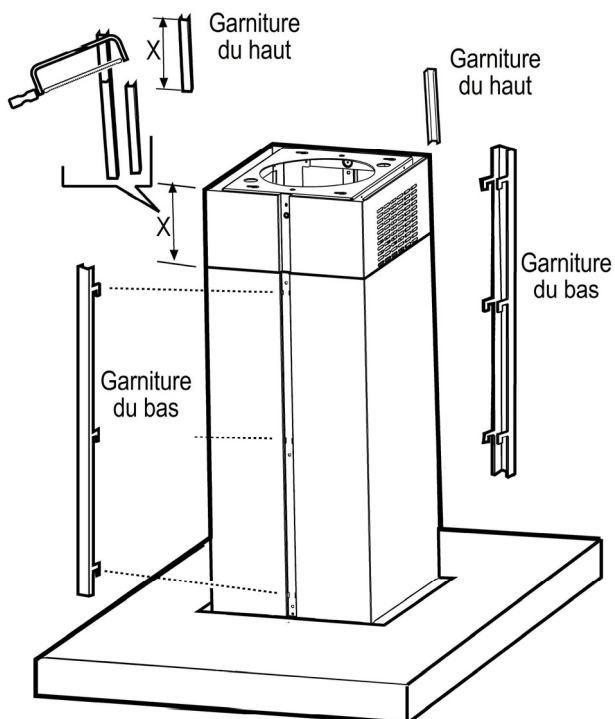
**Note:** la section postérieure est reconnaissable par la présence des boussoles filetées

b. Poser sur la hotte la section inférieure/antérieure en vérifiant le bon accouplement avec la section postérieure.

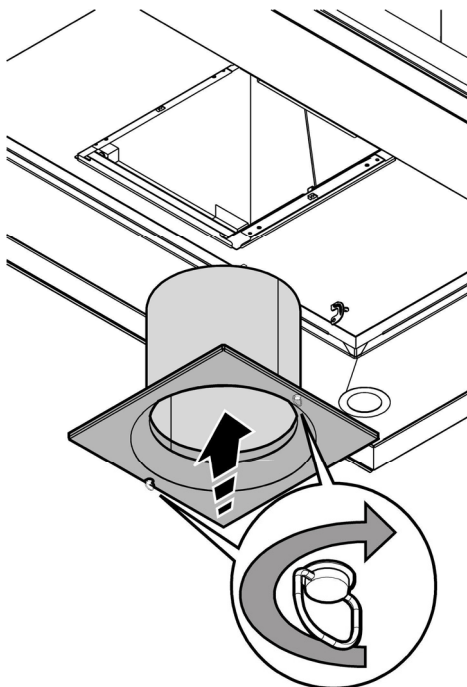
c. Fixer avec 6 vis (3 par côté).



**11.** Insérez les bandes de garnitures (minces) inférieures dans l'ensemble de couvercles de conduit inférieur. Coupez les bandes de garnitures supérieures (larges) de la longueur nécessaire pour les fixer à l'ensemble de couvercles de conduit supérieur. Insérez les bandes de garniture supérieures dans l'ensemble de couvercles de conduit supérieur.



**20.** Installer l'ensemble filtre à graisse.



**13.** Réinstaller le panneau.

**14.** Vérifiez toutes les ampoules et assurez-vous qu'elles sont bien fixées dans leur douille. Activez l'alimentation dans le panneau de service. Vérifiez le bon fonctionnement de l'éclairage et du ventilateur de la façon décrite dans la section intitulée "Entretien et utilisation" du présent manuel.

**Si la hotte ne fonctionne pas :**

- Vérifiez que le disjoncteur ne s'est pas déclenché ou que le fusible n'est pas grillé.
- Débranchez l'alimentation. Vérifiez que les raccords électriques ont été effectués correctement.

**Pour utiliser votre nouvelle hotte de façon optimale, lisez la section intitulée "Entretien et utilisation".**

**Gardez vos instructions d'installations et d'utilisation près de la hotte pour pouvoir vous y référer facilement.**

## Installation - Version sans conduit (Recyclage)

### 1. Calculs avant l'installation

**K** = Hauteur de la cuisinière

**C** = Hauteur du comptoir (36 po standard)

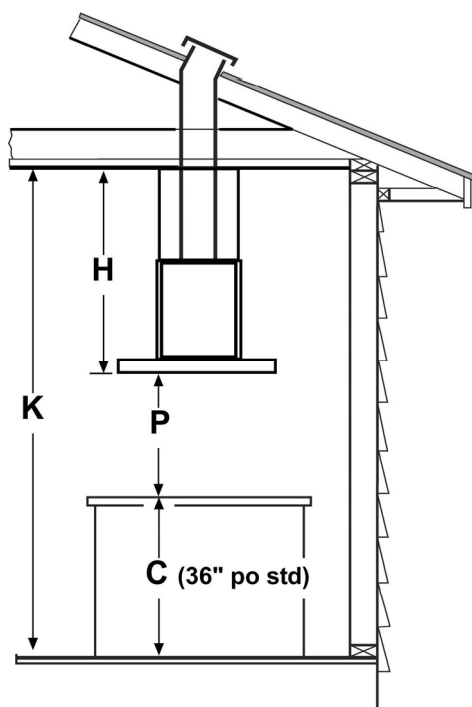
**P** = Hauteur désirée de la hotte

Du bas de la hotte au comptoir (24 po à 30 po recommandé)

**H** = Hauteur de la hotte dans votre installation

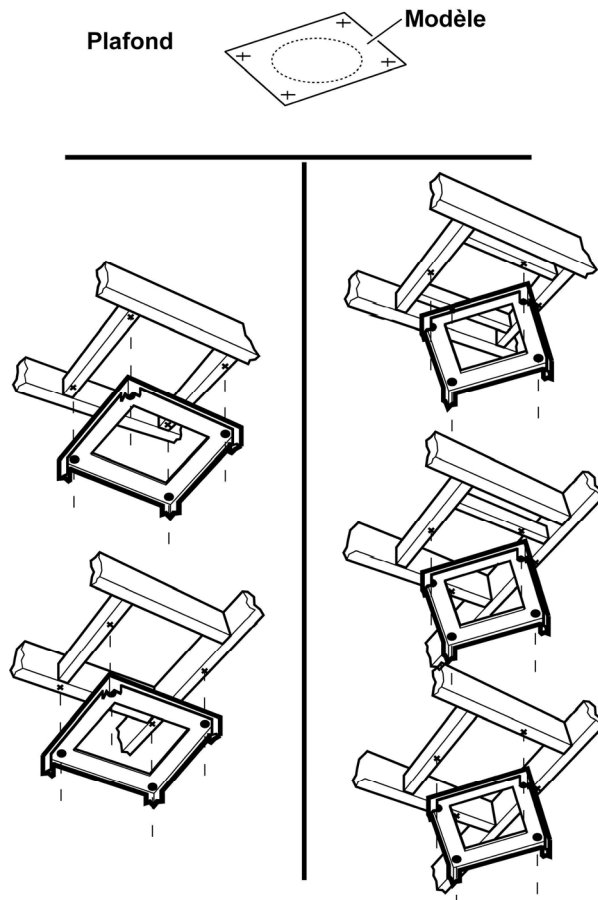
$H = K - C - P$

- Déterminez la hauteur de la hotte **P** qui est confortable pour l'utilisateur. (Entre 24 po et 30 po).
- Calculez la hauteur d'installation de la hotte en utilisant la formule suivante :  $H = K - C - P$ .
- Confirmez que la valeur de **H** se situe entre la valeur minimum et maximum de **H** pour votre modèle (Voir le paragraphe "Dimensions et dégagement"). Si ce n'est pas le cas, ajustez votre installation.



### 2. Préparation de la surface de montage

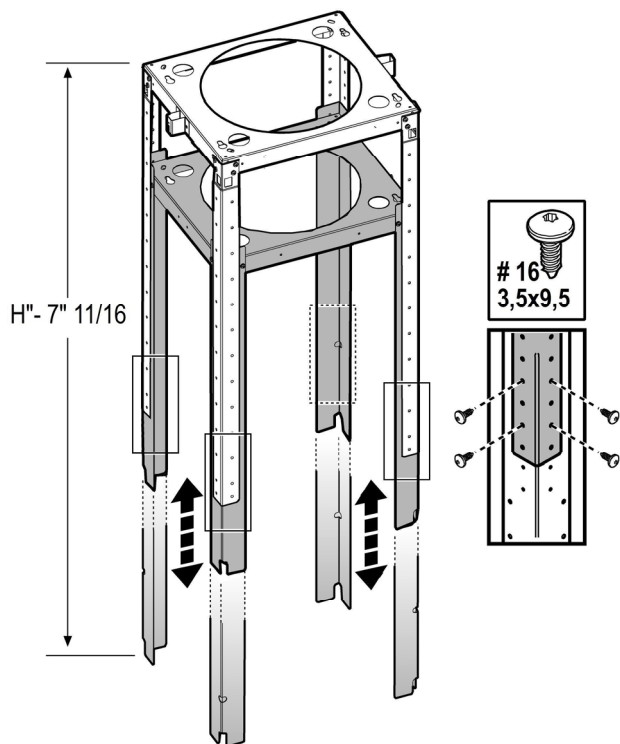
Installez les supports au-dessus du plafond de cloison sèche.



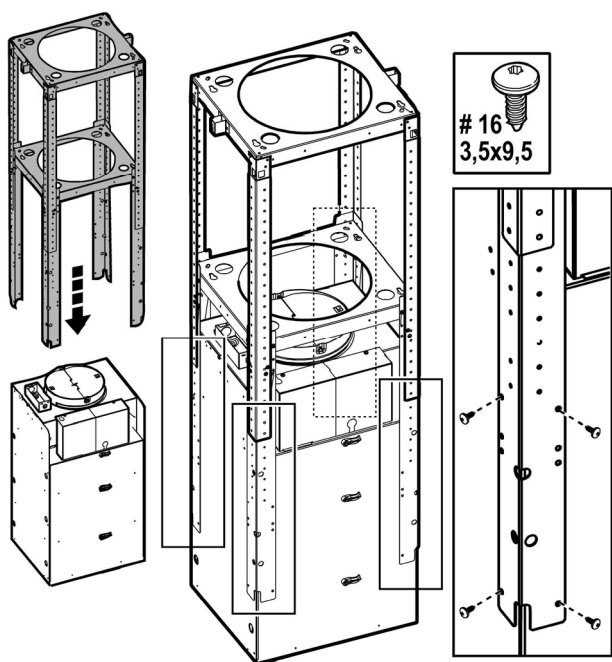
**Note :** Tenez compte de la profondeur de la hotte; la hotte peut être beaucoup plus profonde que la surface de cuisson.

- Marquez les lignes de centre de la surface de cuisson ou de la cuisinière au plafond, au-dessus de l'appareil. Utilisez ces lignes de centre au plafond pour positionner le modèle de montage.  
Notez sur le modèle l'emplacement de l'avant (indiqué avec une flèche) et des côtés de la hotte, ainsi que des ouvertures de montage.  
**Note :** Souvenez-vous que la flèche sur le modèle représente l'avant de la hotte et, donc, le côté où sera installé le panneau de commandes une fois l'appareil installé.
- Enlevez le modèle et conservez-le. Pratiquez une ouverture dans la cloison sèche. Installez un 2 po x 4 po de longueur adéquate entre les montants, qui constituera les points de montage de la cheminée, comme il est indiqué ci-dessus. Pour connaître les dimensions et le dégagement nécessaire, utilisez le modèle.  
Assurez-vous de fixer la pièce de bois solidement et à niveau. Si vous avez des difficultés ou que votre installation comporte des problèmes particuliers, consultez un professionnel. Consultez le modèle et les illustrations ci-dessus.
- Installer le conduit électrique 1/2" dans l'emplacement marqué sur le gabarit et étendre la longueur depuis le plafond.

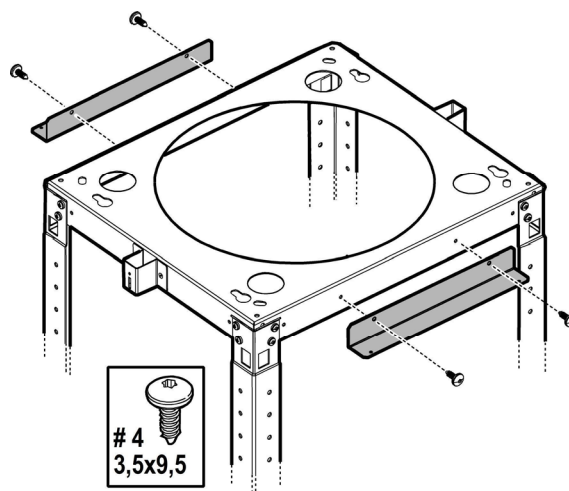
- d. Installez une cloison sèche autour du conduit et de la canalisation, puis terminez la finition du plafond, prévoyez un dégagement suffisant pour installer facilement la structure de cheminée.
  - e. Fixez le modèle en place à l'aide de ruban adhésif, puis insérez quatre vis dans les ouvertures de montage, ne serrez pas les vis entièrement; laissez un espace de 1/2 po, puis enlevez le modèle.
3. a. Préparez la structure de cheminée et fixez toutes les pièces d'assemblage en utilisant quatre vis à chaque support (16 vis en tout), assurez-vous que la structure est assemblée correctement.



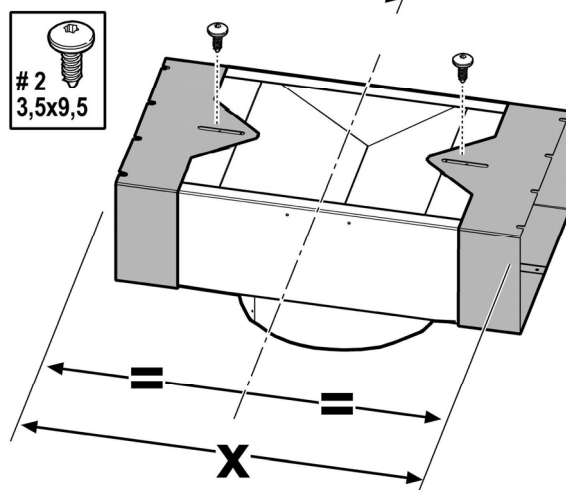
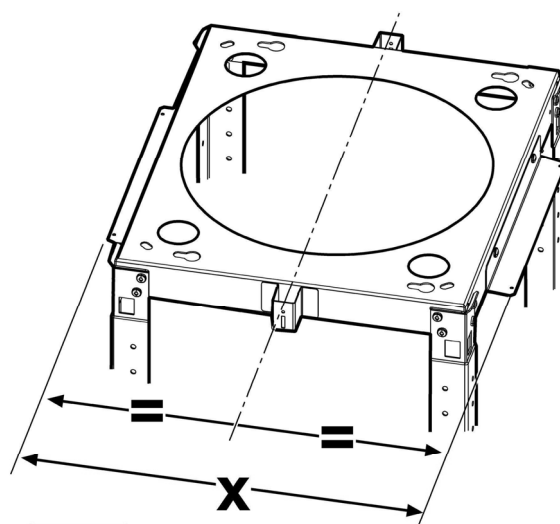
- b. Attacher le caisson du moteur aux étriers de la structure de la cheminée à l'aide de 4 vis pour chaque étrier (16 vis au total), vérifier que tout est bien assemblé.



- c. Installer les 2 angles (1 par côté) pour la fixation du raccord de filtration. Chaque angle est fixé avec 2 vis.



- d. Régler la largeur du raccord de filtration et fixer les sections télescopiques avec 2 vis (une par section).



4. Accrochez la structure aux 4 vis.

**AVERTISSEMENT :**

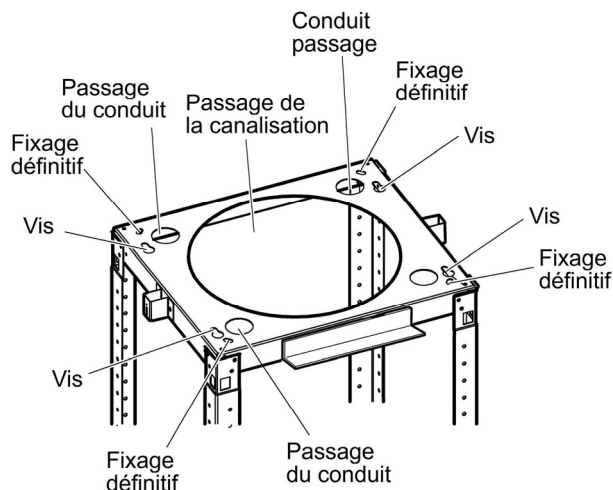
**Danger de poids excessif**

Ayez recours à deux personnes pour déplacer et fixer la hotte.

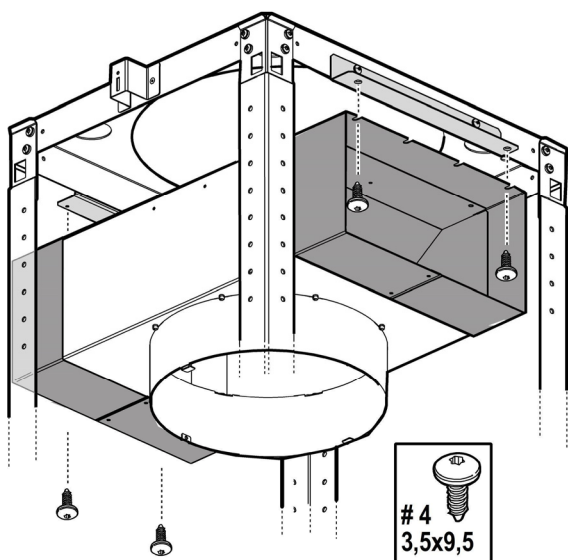
Si une seule personne déplace la hotte, elle risque de se blesser, au dos ou ailleurs.

Apportez les derniers ajustements angulaires au plafond, au besoin, puis serrez solidement les quatre vis tire-fond.

Vissez six autres vis pour fixer l'appareil définitivement.



5. Placer le déflecteur dans la botte et le fixer aux étriers en utilisant 4 vis, installer ensuite un conduit d'évacuation à l'anneau de raccordement situé sur le dessus du caisson moteur. Isoler avec du ruban.



6. Connexion électrique

**AVERTISSEMENT**

**Danger de choc électrique**

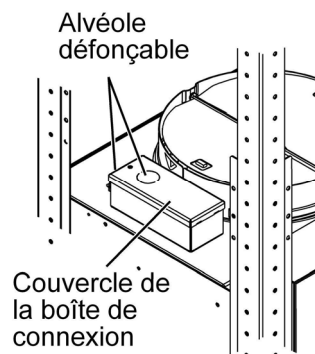
**AVERTISSEMENT :** Coupez l'alimentation du circuit dans le panneau électrique avant de raccorder les fils de cet appareil.

Un circuit de 120 V c.a., de 15 ou 20 A est requis.

**INSTRUCTIONS DE MISE À LA TERRE**  
 CET APPAREIL EST MUNI D'UNE BOÎTE DE JONCTION ÉLECTRIQUE À TROIS FILS, DONT L'UN (VERT/JAUNE) SERT À METTRE L'APPAREIL À LA TERRE. POUR VOUS PROTÉGER CONTRE LES CHOCS ÉLECTRIQUES, VOUS DEVEZ RACCORDER LE FIL VERT/JAUNE AU FIL DE MISE À LA TERRE DU SYSTÈME ÉLECTRIQUE DE VOTRE MAISON. EN AUCUNE CIRCONSTANCE CE FIL DOIT ÊTRE COUPÉ OU ENLEVÉ.

**Le fait de ne pas respecter cette directive peut entraîner la mort ou un choc électrique.**

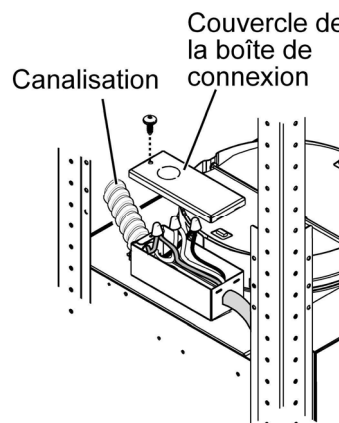
Retirez l'alvéole défonçable et le couvercle de la boîte de jonction et installez un connecteur de canalisation (Listé dans cULus) dans la boîte de jonction.



Passez trois fils, le noir, le blanc et le vert, en respectant les normes du code national de l'électricité, ainsi que les codes et les ordonnances en vigueur dans votre région, dans une canalisation de 1/2 po, du panneau de service à la boîte de jonction.

Raccordez le fil noir du panneau de service au fil noir ou rouge de la boîte jonction, le blanc avec le blanc et le vert avec le vert/jaune.

Fermez le couvercle de la boîte de jonction.

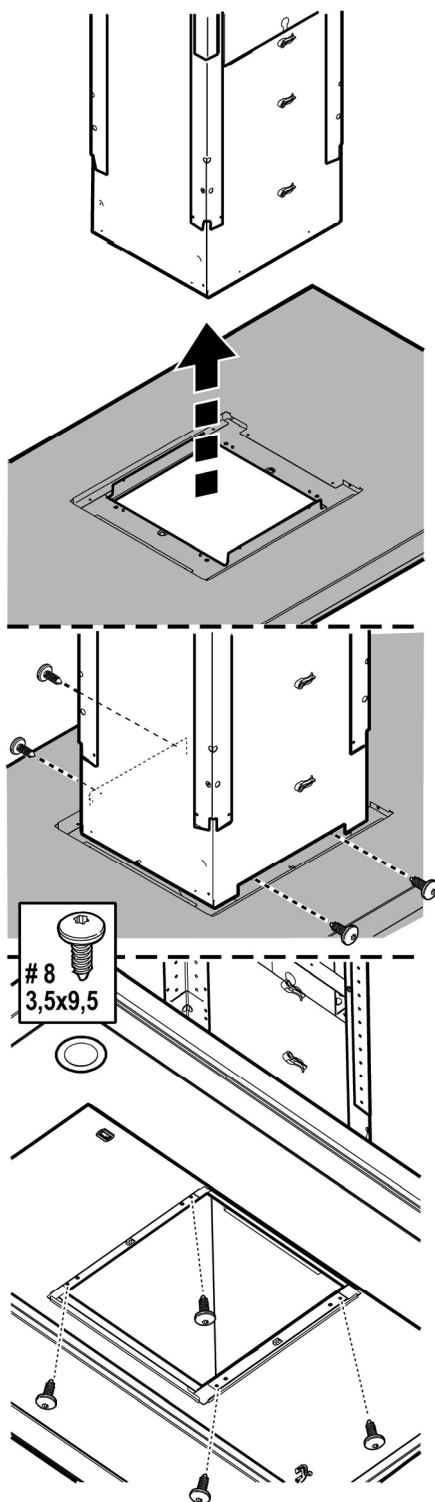


7. Fixer la hotte au caisson moteur à l'aide de 8 vis :

a. d'abord du dessus avec 4 vis.

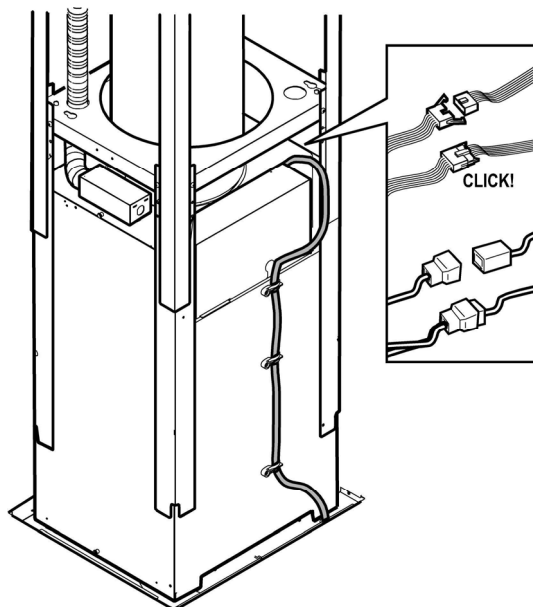
**Attention:** Durant cette phase, contrôler que les câbles de connexion entre la hotte et le caisson moteur ne soient pas endommagés.

b. ensuite du bas avec 4 vis



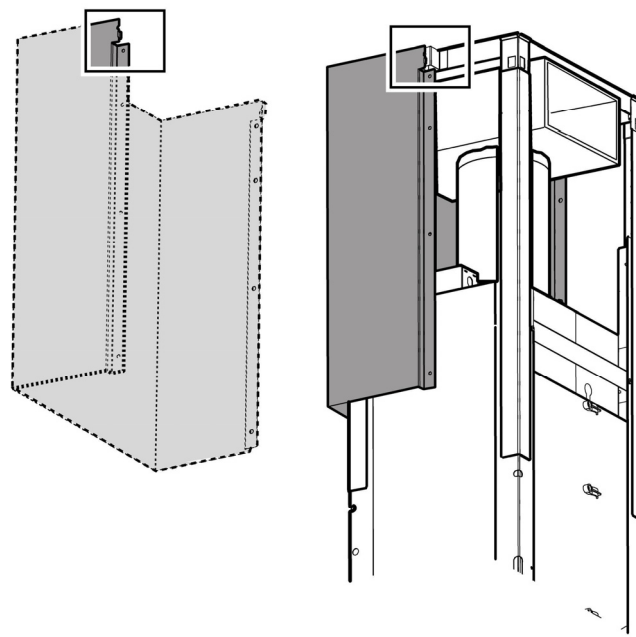
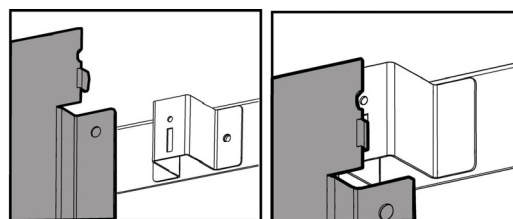
8. Effectuer le raccordement électrique entre la hotte et le caisson moteur.

**Note:** Utiliser le bloque-câble pour placer le câble correctement.

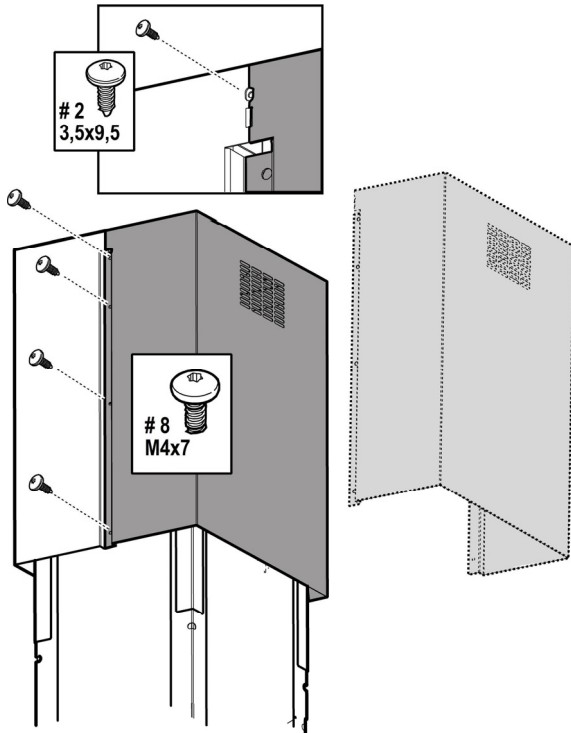


9. Assemblez les 2 sections supérieures de la cheminée pour couvrir le treillis.

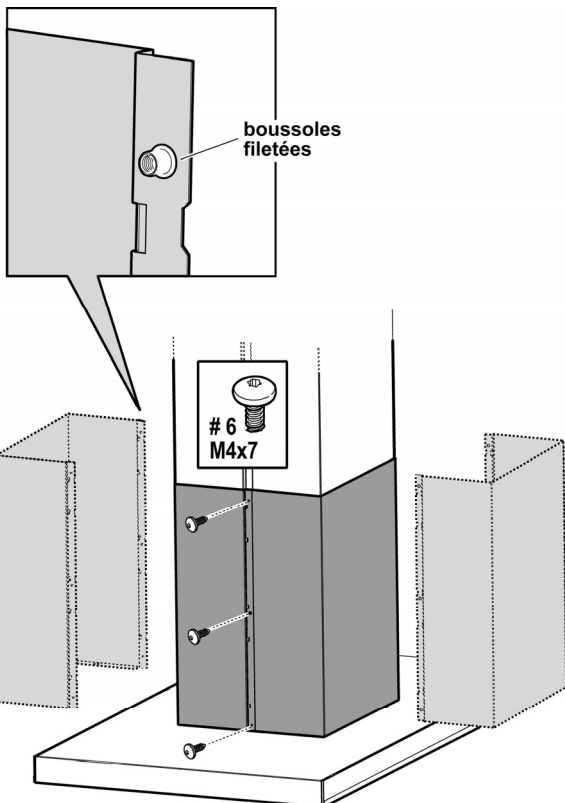
a. vérifier que les languettes prévues dans les fentes latérales prévues.



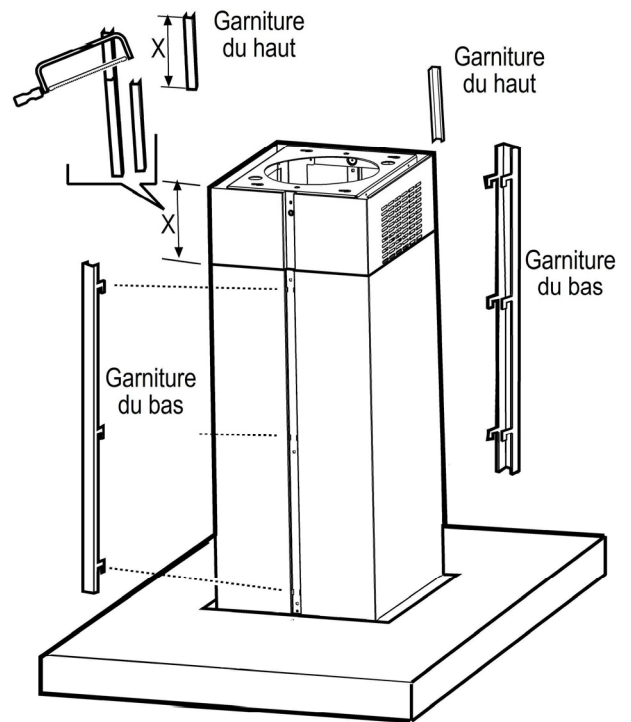
- b. fixer en haut avec 2 vis (une par côté).
- c. fixer définitivement les deux sections des cheminées à l'aide des 8 vis (4 par côté).



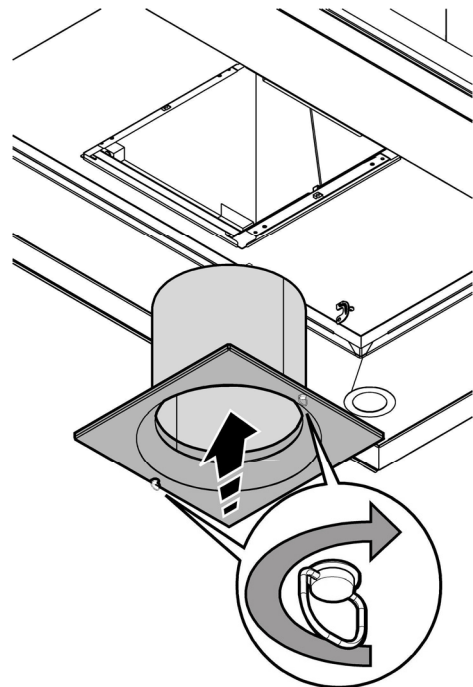
10. Fixer les cheminées inférieures:
- a. Poser sur la hotte la section inférieure/postérieure de la cheminée au-dessus de la hotte.
- Note:** la section postérieure est reconnaissable par la présence des boussoles filetées
- b. Poser sur la hotte la section inférieure/antérieure en vérifiant le bon accouplement avec la section postérieure.
  - c. Fixer avec 6 vis (3 par côté).



11. Insérez les bandes de garnitures (minces) inférieures dans l'ensemble de couvercles de conduit inférieur. Coupez les bandes de garnitures supérieures (larges) de la longueur nécessaire pour les fixer à l'ensemble de couvercles de conduit supérieur. Insérez les bandes de garniture supérieures dans l'ensemble de couvercles de conduit supérieur.



20. Installer l'ensemble filtre à graisse.



13. Réinstaller le panneau.
14. Vérifiez toutes les ampoules et assurez-vous qu'elles sont bien fixées dans leur douille. Activez l'alimentation dans le panneau de service. Vérifiez le bon fonctionnement de l'éclairage et du ventilateur de la façon décrite dans la section intitulée "Entretien et utilisation" du présent manuel.

**Si la hotte ne fonctionne pas :**

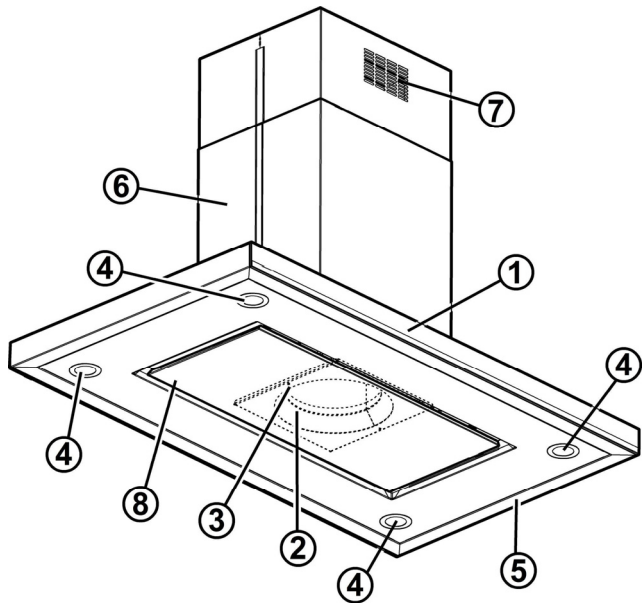
- Vérifiez que le disjoncteur ne s'est pas déclenché ou que le fusible n'est pas grillé.
- Débranchez l'alimentation. Vérifiez que les raccords électriques ont été effectués correctement.

**Pour utiliser votre nouvelle hotte de façon optimale, lisez la section intitulée " Entretien et utilisation ".**

**Gardez vos instructions d'installations et d'utilisation près de la hotte pour pouvoir vous y référer facilement.**



## Description de la hotte et des commandes



1. Panneau de contrôle
2. Filtre anti-graisse
3. Poignée de décrochage du filtre anti-graisse
4. Lampe halogène
5. Écran vapeurs
6. Cheminée télescopique
7. Sortie de l'air (uniquement pour emploi dans la version recyclage)
8. Panneau

### Commandes

Utiliser la puissance d'aspiration maximum en cas de concentration très importante des vapeurs de cuisson. Nous conseillons d'allumer la hotte 5 minutes avant de commencer la cuisson et de la faire fonctionner encore pendant 15 minutes environ après avoir terminé la cuisson.

### Description du panneau de commandes

Pour sélectionner les fonctions de la hotte, il suffit simplement d'effleurer les commandes.



**Touche ON/OFF lumière**



**Touche de sélection vitesse** (puissance d'aspiration) intensive – durée 5 minutes- appuyez de nouveau pour revenir à la sélection précédente.



**Touche de sélection vitesse** (puissance d'aspiration) – élevée



**Touche de sélection vitesse** (puissance d'aspiration) moyenne – lorsqu'elle clignote, elle indique la nécessité de laver ou de remplacer le filtre à charbon. Cette alarme est normalement désactivée. Pour activer l'alarme, désactiver celle électronique en appuyant sur le bouton 0 pendant 3 secondes.

Ensuite, appuyez simultanément sur les boutons 1 et 2 pendant 3 secondes ; d'abord, seulement le bouton 1 clignotera, puis les deux boutons 1 et 2 clignoteront pour indiquer l'activation. Répétez la procédure pour désactiver l'alarme ; d'abord, les boutons 1 et 2 clignoteront et ensuite uniquement le bouton 1 clignotera pour indiquer la désactivation.



**Touche de sélection vitesse** (puissance d'aspiration) basse – lorsqu'elle clignote, elle indique qu'il faut laver le filtre à graisse.



**Touche OFF moteur** (stand by) – Exclusion de l'Électronique – Reset signalisation lavage /remplacement filtres.

#### OFF-MOTEUR

Appuyer rapidement pour éteindre le moteur

#### RESET SIGNALISATION FILTRES

A hotte éteinte, après avoir effectué l'entretien des filtres, appuyer sur la touche jusqu'au signal acoustique. Le led clignotant 1 (filtre anti-grasses) ou 2 (filtre au charbon) arrête de clignoter.

#### EXCLUSION DE L'ÉLECTRONIQUE

Appuyez sur la touche pendant 3 secondes, l'électronique de commande de la hotte est exclue.

Cette fonction peut être utile pendant l'opération de nettoyage du produit.

Pour réinsérer l'électronique, il suffira de répéter l'opération.

Si la hotte ne fonctionne pas correctement, débranchez la prise pendant environ 5 secondes, puis rebranchez-la. Si le problème persiste, contactez le service de réparation compétent.

# Instructions pour l'entretien, utilisateur et la maintenance

**Attention! Avant toute opération de nettoyage ou d'entretien, débrancher la hotte du circuit électrique en enlevant la prise ou en coupant l'interrupteur général de l'habitation.**

## Nettoyage

La hotte doit être régulièrement nettoyée à l'intérieur et à l'extérieur (au moins à la même fréquence que pour l'entretien des filtres à graisse). Pour le nettoyage, utiliser un chiffon humidifié avec un détergent liquide neutre. Ne pas utiliser de produit contenant des abrasifs.

### **NE PAS UTILISER D'ALCOOL!**

**ATTENTION:** Il y a risque d'incendie si vous ne respectez pas les instructions concernant le nettoyage de l'appareil et le remplacement ou le nettoyage du filtre.

La responsabilité du constructeur ne peut en aucun cas être engagée dans le cas d'un endommagement du moteur ou d'incendie liés à un entretien négligé ou au non respect des consignes de sécurité précédemment mentionnées.

### Entretien du panneau

**Attention! Tenir le panneau à deux mains pour le montage et le démontage en position pour éviter qu'il ne tombe et ne cause des dégâts aux personnes ou aux choses.**

#### Démontage:

1. extraire fermement (COTE INFÉRIEUR) et tourner vers le haut.
2. pousser vers la gauche le petit levier situé sur le côté droit du panneau.
3. le décrocher des charnières postérieures.

#### Nettoyage:

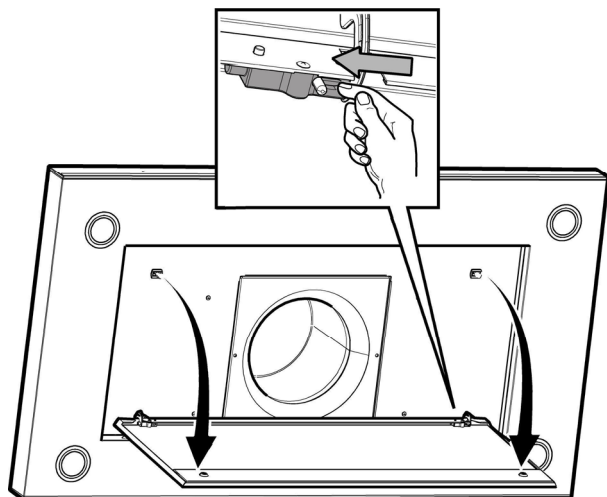
Le panneau d'aspiration doit être nettoyé avec la même fréquence que le filtre anti-graisses, utiliser un chiffon humidifié de détergents liquides neutres.

Éviter l'utilisation de produits contenant des abrasifs. **NE PAS UTILISER D'ALCOOL!**

#### Montage :

Le panneau est accroché postérieurement et fixé antérieurement par encastrement dans les pivots placés à cet effet sur la surface de la hotte.

**Attention!** Toujours vérifier que le panneau soit bien fixé dans sa position.

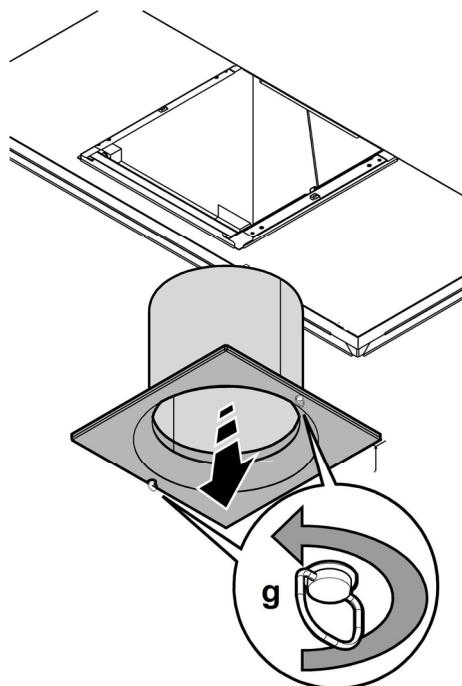


## Filtre à graisse

**Il retient les particules de graisse issues de la cuisson.**

**Le filtre anti-graisse métallique** doit être nettoyé une fois par mois avec des détergents non agressifs, à la main ou dans le lave-vaisselle à faibles températures et cycle rapide. Le lavage du filtre anti-graisse métallique au lave-vaisselle peut en provoquer la décoloration. Toutefois, les caractéristiques de filtrage ne seront en aucun cas modifiées.

Enlever le châssis de support filtre en tournant de 90° les boutons (g) qui le fixent à la hotte.

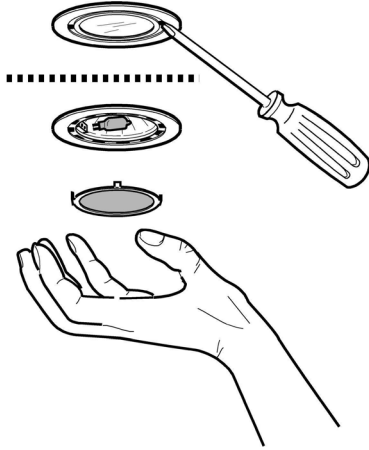


## Remplacement des ampoules

Débrancher l'appareil du réseau électrique

**Attention!** Avant de toucher les lampes, assurez-vous qu'elles soient froides.

Remplacez la vieille ampoule avec le même type tel que spécifié par l'étiquette des caractéristiques ou à proximité de l'ampoule même sur le capot.



1. sortir la protection en utilisant un petit tournevis à lame plate ou tout autre outil similaire.
2. Remplacer la lampe endommagée.  
Utiliser uniquement des lampes halogènes 12V -20W max - G4 (**Adaptée à un système d'éclairage ouvert**), en ayant soin de ne pas les toucher avec les mains.
3. Refermer le plafonnier (fixation par encliquetage).  
Dans l'éventualité où l'éclairage ne devait pas fonctionner, vérifier si les lampes ont été introduites correctement dans leur logement, avant de contacter le service après-vente.

## Filtres à charbon

**Retient les odeurs désagréables de cuisson.**

Le filtre à charbon peut être nettoyé tous les deux mois (ou lorsque le système d'indication de saturation des filtres – si prévu sur le modèle possédé – indique cette nécessité) avec de l'eau chaude et au moyen de détergents appropriés ou dans le lave-vaisselle à 65°C (dans le cas de lavage dans le lave-vaisselle suivre un cycle de lavage complet sans vaisselle à l'intérieur).

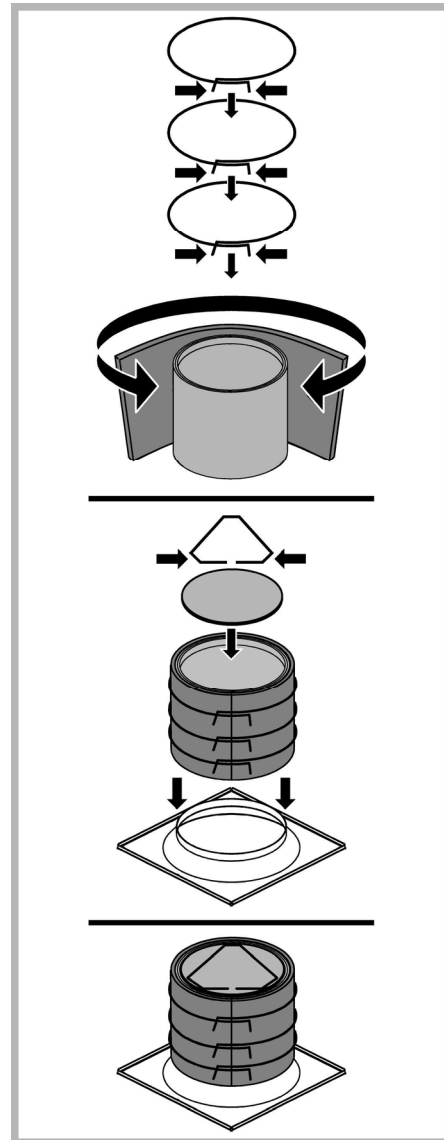
Enlever l'eau qui excède en faisant attention de ne pas abîmer le filtre, ensuite le mettre dans le four pendant 10 minutes à 100°C pour le sécher définitivement. Remplacer le coussinet tous les 3 ans et chaque fois que le filtre sera abîmé.

### Montage

Placer le rembourrage autour du filtre à graisse et le fixer à l'aide des dispositifs de blocage prévus.

Appliquer le couvercle supérieur et le fixer à l'aide du ressort de fixation.

Pour l'opération de démontage procéder en sens inverse.



# Garantie

## GARANTIE DE DEUX ANS **ELICA North America**

### POUR OBTENIR UN DEPANNAGE SOUS GARANTIE

Le propriétaire doit présenter une preuve de la date d'achat. Garder une copie de votre preuve d'achat datée (ticket de caisse) de façon à pouvoir bénéficier du service après-vente sous garantie.

### GARANTIE PIÈCES DE RECHANGE ET MAIN D'OEUVRE

Pendant une période de deux (2) ans à partir de la date d'achat, Elica s'engage à fournir gratuitement les pièces de rechange ou les composants autres que les recharges ayant des défauts de fabrication.

Durant cette garantie de deux (2) ans, Elica fournira également gratuitement, toute la main d'oeuvre et le service à domicile pour remplacer d'éventuelles pièces défectueuses.

### CE QUE LA GARANTIE NE COUVRE PAS

- Dégât ou panne du produit causé par un accident ou un cas de force majeure tels que inondation, incendie ou tremblement de terre.
- Dégât ou panne du produit causé par modification du produit ou utilisation de pièces pas d'origine.
- Dégât ou panne du produit causé lors de la livraison, de la manipulation ou de l'installation.
- Dégât ou panne du produit causé par une mauvaise utilisation.
- Dégât ou panne du produit causé par un remplacement des fusibles ou une remise en fonction des disjoncteurs par le propriétaire.
- Dégât ou panne du produit causé par une utilisation du produit pour raison commerciale.
- Déplacement à domicile pour explication d'utilisation ou d'entretien.
- Ampoules, filtres métalliques ou au charbon et toute autre pièce consommable.
- Usure normale.
- Usure due à une mauvaise utilisation du propriétaire, un entretien incorrect, une utilisation de substances nettoyantes corrosives ou abrasives et produits de nettoyage pour four.

### QUI EST COUVERT

Cette garantie s'étend à l'acheteur original de produits achetés pour un usage domestique habituel en Amérique du Nord (Y compris Etats Unis, Guam, Porto Rico, les Iles virgin Américaines & le Canada).

Cette garantie n'est pas transférable et vaut uniquement pour l'acheteur original et ne s'étend pas aux propriétaires successifs du produit. Cette garantie vaut expressément en lieu et place de toute autre garantie, expresse ou sous-entendue, mais ne limite pas toute autre garantie sous-entendue de marchandage ou adaptation dans un but particulier et toute autre obligation de la part de Elica North America, étant entendu, cependant, que si la réclamation pour garanties sous-entendues n'est pas applicable aux yeux de la loi en vigueur, la durée de toute garantie sous-entendue émanant de la loi doit être limitée à deux (2) ans à partir de la date d'achat du produit ou à une période plus longue selon ce que dit la loi en vigueur.

Cette garantie ne couvre pas tout dégât particulier, accidentel et/ou consécutif, ni les pertes et profits, à charge du propriétaire, des ses clients et/ou des utilisateurs Des produits.

### QUI CONTACTER

Pour obtenir un Service Après-vente durant la Garantie ou pour toute autre Question liée au Service Après-vente Appeler:

- Elica North America Authorized Service at (888) 732-8018

Ou écrire à:

- Elica North America, Attention Customer Service,  
6658 156th Avenue SE,  
Bellevue, WA 98006 USA  
infoamericas@elica.com

# Spanish

## Contenido

<b>Aviso de seguridad importante</b> .....	<b>46</b>
<b>Requisitos eléctricos y de instalación</b> .....	<b>47</b>
Requisitos eléctricos .....	47
Antes de instalar la campana .....	47
<b>Lista de materiales</b> .....	<b>48</b>
Piezas suministradas .....	48
Piezas no suministradas .....	48
<b>Dimensiones y Espacios libres</b> .....	<b>48</b>
<b>Tipos de ductos y ejemplos</b> .....	<b>49</b>
Métodos de ventilación .....	49
Preparación .....	49
<b>Instalación</b> .....	<b>50</b>
Preparación de la campana para la instalación: .....	50
Instalación - Versión con tubos .....	51
Instalación - Versión sin tubos (Recirculación) .....	56
<b>Descripción de la campana y los controles</b> .....	<b>62</b>
Controles .....	62
<b>Instrucciones para el servicio de venta y de postventa y mantenimiento</b> .....	<b>63</b>
Limpieza .....	63
Filtro contra la grasa .....	63
Sustitución de la bombilla .....	64
Filtros de Carbón .....	64
<b>Garantía</b> .....	<b>65</b>

**APROBADO PARA APARATOS DE USO DOMÉSTICO  
SÓLO PARA USO DOMÉSTICO  
LEA Y GUARDE ESTAS INSTRUCCIONES**

**ANTES DE CONTINUAR, LEA LAS INSTRUCCIONES POR COMPLETO.**

**LA INSTALACIÓN DEBE CUMPLIR TODA LA NORMATIVA LOCAL.**

**IMPORTANTE:** guarde estas instrucciones para su uso por parte del inspector de electricidad local.

**INSTALADOR:** entregue al propietario estas instrucciones junto con la unidad.

**PROPIETARIO:** conserve estas instrucciones para futuras consultas.

**Advertencia de seguridad:** antes de realizar el cableado de este aparato, desactive el circuito de energía eléctrica en el panel de servicio y desbloquee el panel.

**Requisito:** Circuito auxiliar de CA de 120 V, 60 Hz, 15 ó 20 A

# LEA Y GUARDE ESTAS INSTRUCCIONES

## Aviso de seguridad importante

### PRECAUCIÓN

SÓLO PARA USO DE VENTILACIÓN GENERAL. **NO UTILIZAR PARA EXPULSAR VAPORES O MATERIALES PELIGROSOS O EXPLOSIVOS.**

### ADVERTENCIA

**PARA REDUCIR EL RIESGO DE FUEGO, DESCARGA ELÉCTRICA O LESIONES PERSONALES, RESPETE LO SIGUIENTE:**

- A. Utilice esta unidad solamente en el modo que indica el fabricante. En caso de duda, póngase en contacto con el fabricante.
- B. Antes de reparar o limpiar la unidad, desconecte la alimentación en el panel de servicio y bloquee los medios de desconexión del panel de servicio para evitar la conexión accidental de la alimentación. Si no es posible bloquear los medios de desconexión del panel de servicio, coloque un dispositivo de advertencia que destaque como, por ejemplo, una etiqueta, en el panel de servicio.
- C. La instalación y el cableado eléctrico deben realizarlos personas cualificadas de acuerdo con las normativas y los estándares aplicables, incluida la construcción ignífuga.
- D. Es necesaria una ventilación suficiente para la correcta combustión y expulsión de gases por la salida de humos (Chimenea) del equipo de combustión de carburante para evitar el contratiro. Siga las directrices de fabricantes de equipos de calefacción y los estándares de seguridad como los publicados por la National Fire Protection Association (NFPA), American Society for Heating, Refrigeration and Air Conditioning Engineers (ASHRAE) y las normativas locales.
- E. Al efectuar orificios en una pared o techo, no dañe el cableado eléctrico y otras instalaciones ocultas.
- F. Los sistemas instalados mediante conducto deben tener ventilación con salida al exterior.

### PRECAUCIÓN

**Para reducir el riesgo de fuego y conseguir una salida del aire correcta, asegúrese de conducir el aire hacia el exterior. No permita que el aire se expulse en espacios situados en el interior de muros, techos, desvanes, sótanos de pequeña altura o garajes.**

### ADVERTENCIA

**PARA REDUCIR EL RIESGO DE FUEGO, UTILICE SOLAMENTE TUBOS METÁLICOS.**

Instale esta campana de acuerdo con los requisitos especificados.

### ADVERTENCIA

**Para reducir el riesgo de fuego o descarga eléctrica, no utilice esta campana con ningún dispositivo externo en estado sólido para el control de la velocidad.**

### ADVERTENCIA

**PARA REDUCIR EL RIESGO DE INCENDIO OCASIONADO POR GRASA:**

- a) No deje nunca ninguna unidad externa desatendida y con valores de fuego altos. La cocción puede causar humo o reboses de grasa que pueden prender fuego. Caliente el aceite a fuego lento o medio.
- b) Encienda siempre la campana cuando cocine a una temperatura alta o cuando realice flameados (Por ejemplo, crepes Suzette, cerezas flameadas, ternera a la pimienta flameada).
- c) Limpie con frecuencia los ventiladores. No permita que la grasa se acumule en el ventilador o filtro.
- d) Utilice un tamaño de sartén adecuado. Utilice siempre piezas de batería de cocina adecuadas al tamaño del elemento de superficie.

### ADVERTENCIA

**PARA REDUCIR EL RIESGO DE LESIONES PERSONALES, EN CASO DE FUEGO OCASIONADO POR GRASA, TENGA EN CUENTA LO SIGUIENTE<sup>a</sup>:**

- a) **EXTINGA LAS LLAMAS** con una tapa ajustada, una lámina para hacer galletas u otro tipo de bandeja metálica y apague el quemador de gas o elemento eléctrico. **TENGA CUIDADO PARA EVITAR QUEMADURAS.** Si las llamas no se extinguen inmediatamente, **DESALOJE EL LUGAR Y LLAME A LOS BOMBEROS.**
- b) **NUNCA TOME UNA SARTÉN EN LLAMAS**, podría sufrir quemaduras.
- c) **NO UTILICE AGUA**, incluidas bayetas o toallas húmedas ya que se produciría una violenta explosión de vapor.
- d) Utilice un extintor **SÓLO** si:
  - 1) Sabe que dispone de un extintor de la clase ABC y conoce su funcionamiento.
  - 2) El fuego es pequeño y se encuentra en la misma zona donde se inició.
  - 3) Ha llamado a los bomberos.
  - 4) Puede luchar contra el fuego teniendo una salida a su espalda.

<sup>a</sup> Basado en "Kitchen Fire Safety Tips" publicado por NFPA.

### FUNCIONAMIENTO

a. Coloque siempre las rejillas y los filtros de seguridad en su lugar correspondiente. Sin estos componentes, los ventiladores en funcionamiento podrían atrapar su pelo, sus dedos o su ropa.

El fabricante declina toda responsabilidad en caso de fallo de cumplimiento de las instrucciones aquí facilitadas para la instalación, el mantenimiento y el uso adecuado del producto. El fabricante declina además toda responsabilidad por daños ocasionados por negligencia y la garantía de la unidad queda cancelada automáticamente como consecuencia de un mantenimiento incorrecto.

# Requisitos eléctricos y de instalación

## Requisitos eléctricos

### IMPORTANTE

cumpla todas las normativas y ordenanzas gubernamentales.

Es responsabilidad del cliente:

Ponerse en contacto con un instalador eléctrico cualificado. Asegurarse de que la instalación eléctrica es adecuada y en conformidad con National Electrical Code, ANSI/NFPA 70 (última edición\*) o CSA Standards C22.1-94, Canadian Electrical Code, Parte 1 y C22.2 No.0-M91 (última edición\*) y toda la normativa y las ordenanzas locales.

Si la normativa lo permite y se utiliza un cable de toma a tierra independiente, se recomienda que un electricista cualificado determine si la difracción de onda de tierra es la adecuada.

No ubique la toma a tierra en una tubería de gas. Si no está seguro de que la campana está correctamente conectada a tierra, consulte a un electricista cualificado. No coloque ningún fusible en el circuito neutral o con vuelta por tierra.

### IMPORTANTE

Guarde las instrucciones de instalación para su uso por parte del inspector de electricidad.

La campana debe estar conectada únicamente con hilo de cobre.

La campana debe estar conectada directamente al desconectador con fusible (O disyuntor) mediante canal metálico de cables eléctricos.

Los tamaños de cable deben cumplir los requisitos de la National Electrical Code, ANSI/NFPA 70 (última edición\*) o CSA Standards C22.1-94, Canadian Electrical Code, Parte 1 y C22.2 No.0-M91 (última edición\*) y toda la normativa y las ordenanzas locales.

Es preciso colocar un conector de canal de cables enumerado en U.L. o C.S.A. en cada extremo del canal de cables de fuente de alimentación (En la campana y en la caja de conexiones).

Se pueden obtener copias de los estándares enumerados en:

\* National Fire Protection Association Batterymarch Park Quincy, Massachusetts 02269

\*\* CSA International 8501 East Pleasant Valley Road Cleveland, Ohio 44131-5575

## Antes de instalar la campana

1. Para obtener una circulación del flujo de aire más eficaz, utilice un tubo de tramo recto o el menor número posible de tubos acodados.  
**PRECAUCIÓN:** el conducto de ventilación solamente debe tener salida hacia la parte exterior del edificio.
2. Para realizar la instalación, se necesitan al menos dos personas. Use guantes para protegerse contra los bordes afilados.
3. La campana se ajusta mediante material adecuados para la mayoría de superficies; consulte a un instalador cualificado para comprobar si quedan perfectamente ajustados al armario o a la pared.
4. No emplee tubos flexibles.
5. Las instalaciones en CONDICIONES CLIMÁTICAS FRÍAS deben tener instalado un regulador de contratiro adicional para minimizar el flujo de aire inverso y una rotura térmica no metálica para minimizar la conducción de temperaturas externas como parte de los tubos. El regulador debe encontrarse en la parte de aire frío de la rotura térmica.  
La rotura debe estar lo más cerca posible al lugar donde los tubos entran en la parte caliente de la casa.
6. Aire limpio: Las normativas locales para edificios pueden requerir el uso de sistemas de aire limpio cuando se utilizan sistemas de ventilación mediante tubos superiores al CFM especificado de movimiento de aire. El CFM especificado varía de una zona a otra. Para conocer los requisitos específicos de su zona, consulte a un profesional de HVAC.

## Lista de materiales

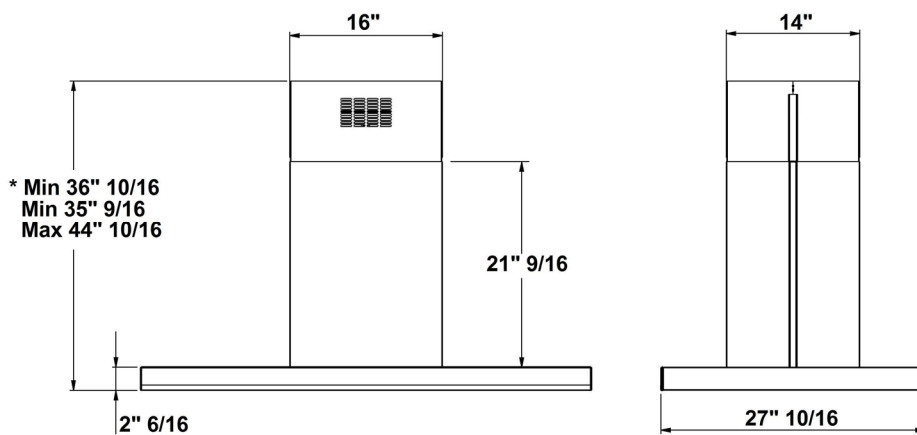
### Piezas suministradas

- Cubierta de la campana con panel, lámparas ya montadas.
- Unidad de ventilador
- 4 cubiertas de tubo superior e inferior
- Conjunto de filtro de grasa + conjunto + dispositivos de fijación.
- Deflector, montaje de 3 piezas (versión sin tubos)
- Paquete con tornillos y elementos metálicos:  
Llave Allen x 1  
Plantilla  
Guía de instalación, uso y mantenimiento  
Soporte de fijación del sistema deflector x 2  
52 tornillos 3,5x9,5  
14 tornillos 4x7

### Piezas no suministradas

- Tubos, canal de cables y todas las herramientas necesarias para la instalación.
- **Kit de conversión sin tubos** solamente se puede utilizar en la **versión sin tubos (Recirculación)** **incluye:** filtro de carbón vegetal y dispositivos de fijación de filtro de carbón vegetal.

## Dimensiones y Espacios libres



\* SÓLO para versión sin tubos (recirculación).



## Tipos de ductos y ejemplos

**Siga detenidamente las instrucciones expuestas en este manual.**

Se declina toda responsabilidad de cualquier inconveniencia, daños o incendios eventuales ocasionados por el incumplimiento de las instrucciones de este manual.

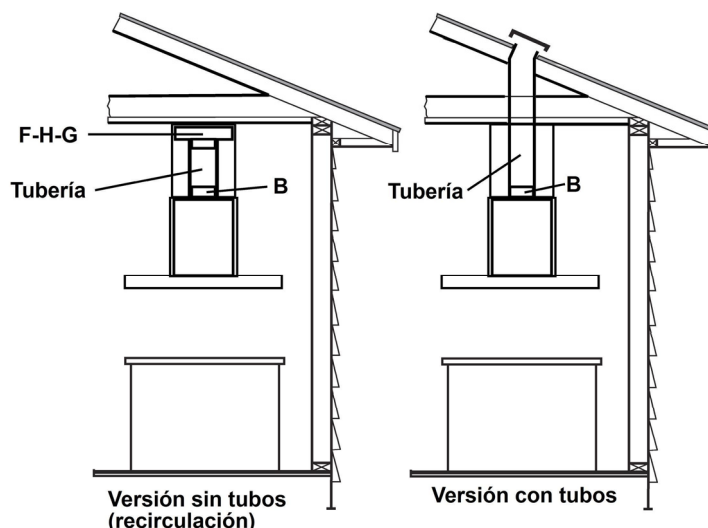
### Métodos de ventilación

La campana está equipada con un **salida de escape B** para la descarga de gases al exterior (**Versión con tubos**).

En caso de que no sea posible la descarga de gases y del vapor procedentes de la cocina al exterior, la campana se puede utilizar en la **versión sin tubos (Recirculación)**. Coloque un **filtro de carbono** activado y el **deflector F** en el soporte de sujeción de la **cubierta de tubo G**. Los gases y vapores se reciclan a través de la **rejilla superior H** mediante un conducto conectado al cambio de sección **B** y el cambio de sección montado en el deflector **F**.

**NOTA: Sólo para versión sin tubos (Recirculación): adquiera el kit de conversión sin tubos.**

**Tamaño mínimo de tubo (Versión con o sin tubos): Tubería redonda de 8".**



### Preparación

No corte una vigueta o un perno a menos que sea absolutamente necesario. Si fuera necesario efectuar el corte, deberá construirse un marco de soporte.

Se suministra el material de ajuste necesario para fijar la campana a la mayoría de tipos de muro o techo.

No obstante, un técnico cualificado debe comprobar la idoneidad de los materiales de acuerdo con el tipo de muro o techo.

Antes de efectuar ningún corte, asegúrese de existe espacio libre adecuado en el techo o muro para la expulsión del aire.

La preferencia de la altura de instalación de la campana de los usuarios es por encima de la cocina. Cuanto más cerca esté la campana de la cocina, mas eficaz resultará la captura de olores, grasa y humos.

**PRECAUCION: PARA LA INSTALACION DE ESTUFAS DE GAS: INSTALE ESTA CAMPANA DE TAL MANERA QUE LA CORNISA INFERIOR SE ENCUENTRE A A NO MENOS DE 30" (76,2 CM) SOBRE LA SUPERFICIE DE COCCION.**

**PARA LA INSTALACION DE ESTUFAS ELECTRICAS: INSTALE ESTA CAMPANA DE TAL MANERA QUE LA CORNISA INFERIOR SE ENCUENTRA A NO MENOS DE 24" (61 CM) Y NO MAS DE 30" (76,2 CM) SOBRE LA SUPERFICIE DE COCCION.**

**PARA USO ELECTRODOMESTICO. POR FAVOR, LEA EL MANUAL DE INSTALACION PARA UNA INSTALACION ESPECIFICA.**

Antes de seleccionar la campana, compruebe la altura del techo y la altura máxima de la campana.

## Instalación

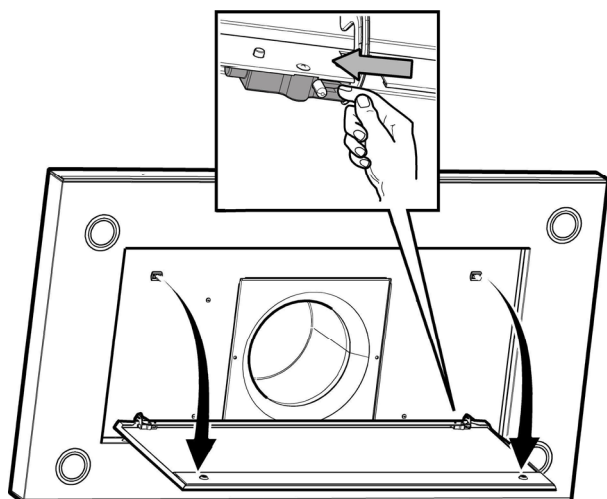
Preparación de la campana para la instalación:

Para facilitar la instalación se recomienda remover el panel antes de instalar la campana.

**Atención! Tengan con ambas manos el panel cuando lo desmonten o lo vuelvan a montar en posición para evitar que se caiga y cause daños a personas o cosas.**

**Desmontaje:**

- tirar el panel (LADO FRONTAL) firmemente hacia abajo.
- Empujar hacia la izquierda la pequeña palanca presente en la parte derecha del panel,
- desengancharlo de las bisagras posteriores.



## Instalación - Versión con tubos

### 1. Cálculos previos a la instalación

**K** = Altura de cocina

**C** = Altura de encimera (estándar de 36")

**P** = Altura preferida de la parte inferior de la campana por encima de la encimera (recomendado entre 24" y 30")

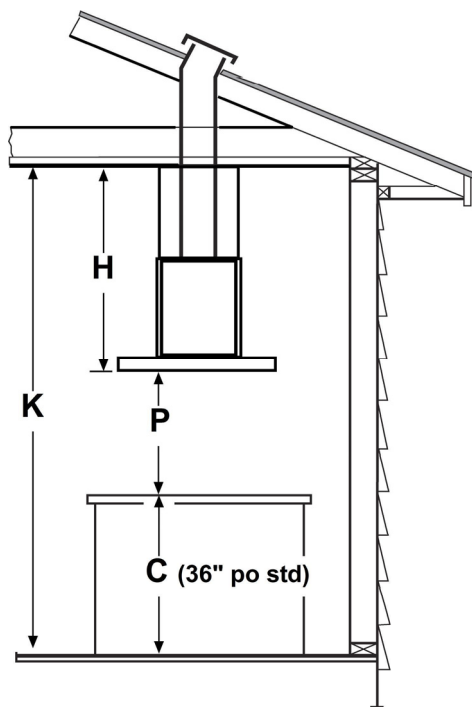
**H** = Altura de instalación de la campana

$$H = K - C - P$$

a) Seleccione una preferencia de la altura de la campana **P** cómoda para el usuario. (entre 24" y 30").

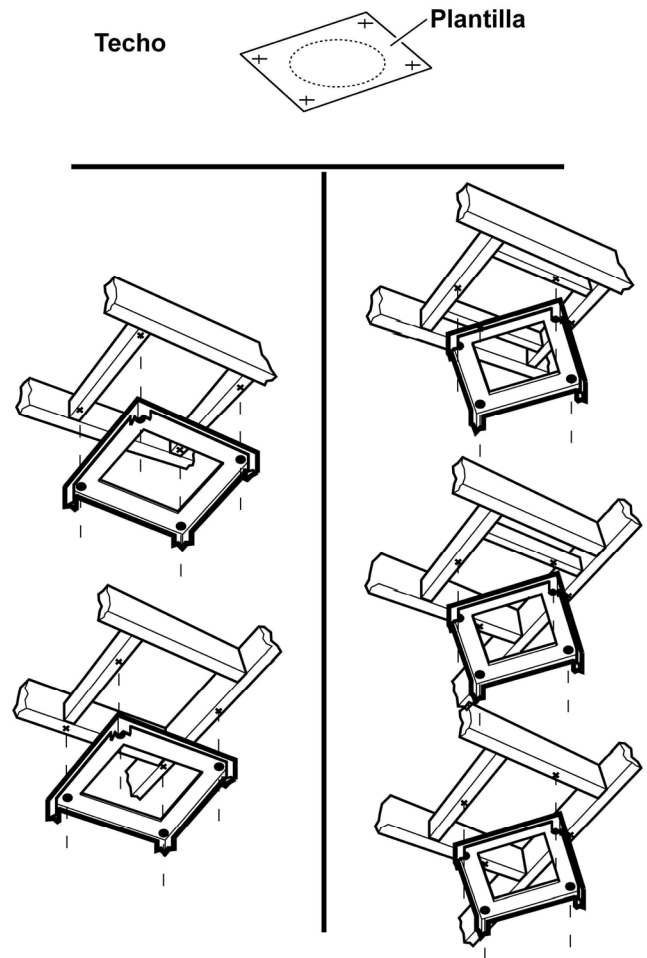
b) Calcule la altura de instalación de la campana ( $H = K - C - P$ ).

c) Compruebe que el valor de **H** (altura) se encuentra dentro del valor máximo y mínimo de altura para su modelo (consulte el párrafo "Dimensiones y espacios libres"). De lo contrario, ajuste su instalación.



### 2. Preparación de la superficie de montaje

Instalación de soportes en el techo.

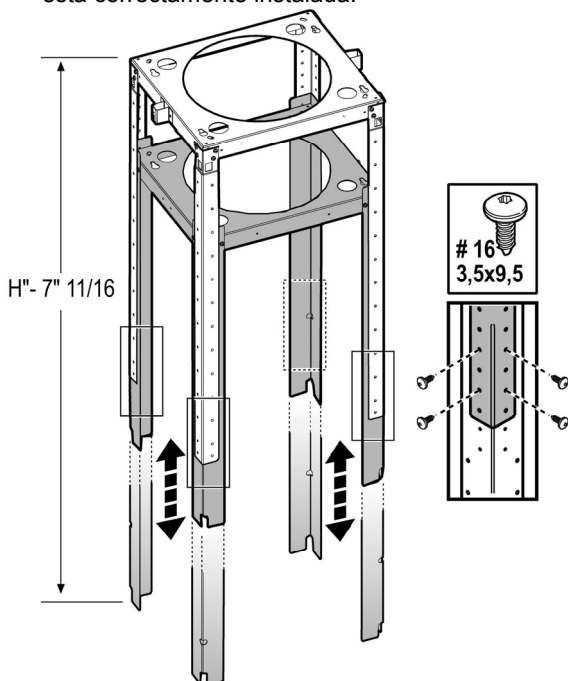


**Nota:** tenga en cuenta la profundidad de la campana; es posible que la campana tenga una mayor profundidad que la cocina.

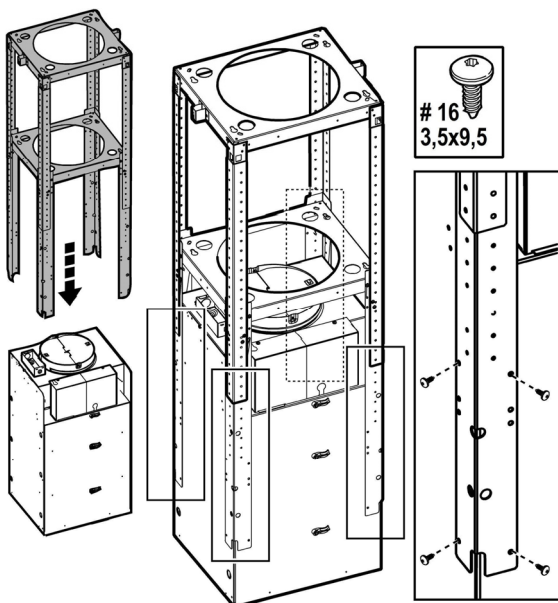
- Marque las líneas centrales de la cocina o de la campana en el techo. Utilice las líneas centrales marcadas en el techo para colocar la plantilla de montaje.  
Observe que en la plantilla se indican la ubicación de la parte delantera de la campana (mediante una flecha), el lateral y los orificios de montaje.  
**Nota:** no olvide que la flecha impresa en la plantilla corresponde a la parte delantera de la campana y, por lo tanto, al lateral donde se colocarán los paneles de control al final de la instalación)
- Retire y guarde la plantilla. Realice un corte y retire el techo aislante. Instale madera con una longitud apropiada de 2" x 4" entre las viguetas para facilitar puntos de montaje de la chimenea tal y como se indica arriba. Utilice la plantilla para las dimensiones y espacios libres necesarios.  
Asegúrese de que la madera queda firmemente ajustada y nivelada. Si tiene dificultades o se trata de una instalación especial, consulte a un profesional. Consulte la plantilla y las ilustraciones anteriores.
- Instale un tubo de salida de 8" y aumente la longitud =  $H - 28"$  del techo. El tubo deberá estar correctamente fijados a las viguetas. No utilice tubos con un tamaño inferior al indicado.

**Atención: la instalación del tubo no será necesaria en versiones no ventiladas (recirculación)**

- d. Instale canal de cables eléctricos de 1/2" en la ubicación marcada en la plantilla y aumente.  
Nota: si es preciso realizar la instalación de un ventilador remoto, proporcione un canal de cables u orificio adicional.
  - e. Instale tabique aislante alrededor del conducto y el canal de cables; renueve el acabado del techo, deje espacio libre suficiente para una instalación de estructura de chimenea hasta el techo.
  - f. Coloque la plantilla en su sitio y ajuste los 4 tornillos en los orificios de montaje, no los apriete sino que deje un espacio de 1/2", retire la plantilla.
3. a. Regule la estructura de la chimenea y ajuste todas las piezas de montaje con 4 tornillos en cada soporte (16 tornillos en total), compruebe que la estructura está correctamente instalada.



- b. Sujetar la caja del motor en la estructura de la chimenea con los soportes, con 4 tornillos por cada soporte (16 tornillos en total), comprobar que todo está bien montado.



4. Enganche el enrejado en los 4 tornillos.

**ADVERTENCIA**

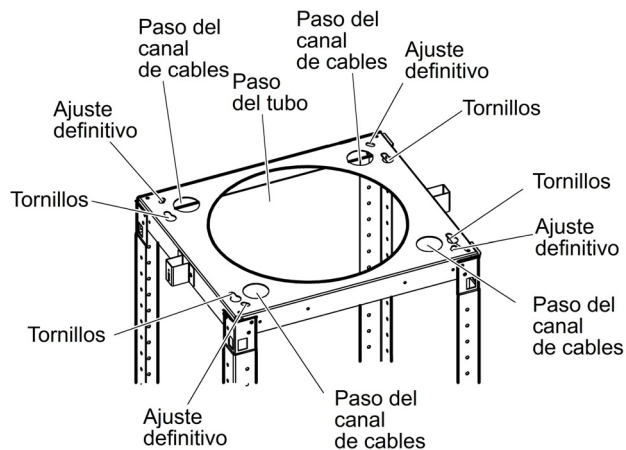
**Peligro de peso excesivo**

**Serán necesarias dos o más personas para mover e instalar la campana extractora.**

**De lo contrario, podrían producirse lesiones de espalda o de otro tipo.**

Realice el ajuste angular final a la estructura del techo. Si es necesario, apriete los 4 tornillos de cabeza cuadrada para techo.

Ajuste los seis tornillos adicionales para un ajuste definitivo.



5. Conecte el otro extremo del tubo de descarga al dispositivo de descarga de la casa. . Sellar con cinta.

## 6. Conexión eléctrica

### ADVERTENCIA

#### Peligro de descarga eléctrica

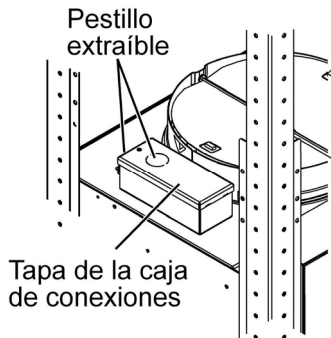
Advertencia: antes de realizar el cableado de este aparato, desactive el circuito de energía eléctrica en el panel de servicio.

Se requiere un circuito 120 VAC, 15 ó 20 A.

INSTRUCCIONES DE TOMA ELÉCTRICA  
ESTE APARATO DISPONE DE UNA CAJA DE CONEXIONES ELÉCTRICAS CON 3 CABLES, UNO DE LOS CUALES (VERDE Y AMARILLO) SIRVE COMO TOMA DE TIERRA PARA EL APARATO PARA PROTEGERSE DE DESCARGAS ELÉCTRICAS, EL CABLE VERDE Y AMARILLO DEBE ESTAR CONECTADO AL CABLE DE TOMA A TIERRA DE SU SISTEMA DOMÉSTICO DE ELECTRICIDAD Y BAJO NINGUNA CIRCUNSTANCIA DEBE CORTARSE O ELIMINARSE.

De lo contrario, podría tener como resultado una descarga eléctrica o la muerte.

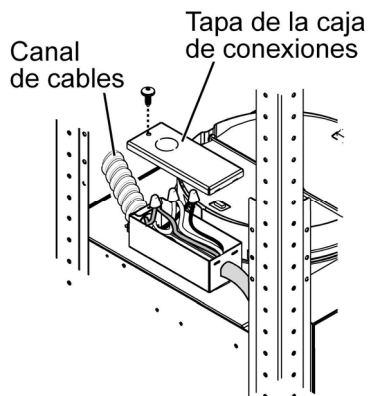
Retire el pestillo extraíble y la tapa de la caja de conexiones e instale el conector de canal de cables (Enumerado en cULUS) en la caja de conexiones.



Coloque 3 cables (Negro, blanco y verde) de acuerdo con el National Electrical Code y la normativa y las ordenanzas locales en el canal de cables de 1/2" del panel del servicio a la caja de conexiones.

Conecte el cable negro del panel de servicio al cable negro o rojo de la caja de conexiones, el cable blanco al blanco y el verde al verde-amarillo.

Cierre la tapa de la caja de conexiones.

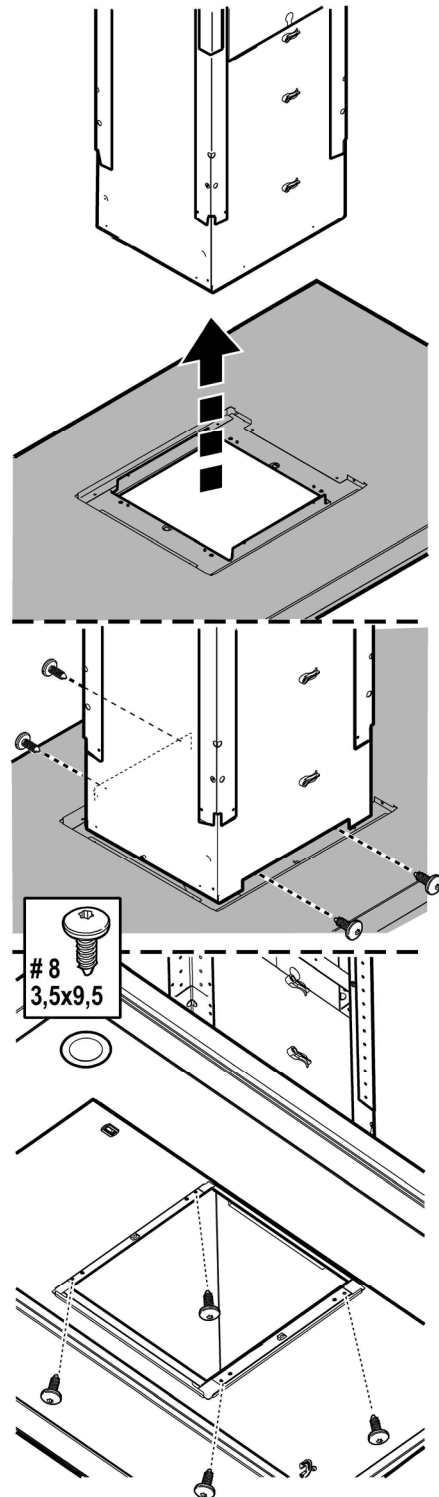


## 7. Fijar la campana a la caja del motor con 8 tornillos:

a. primero desde arriba con 4 tornillos.

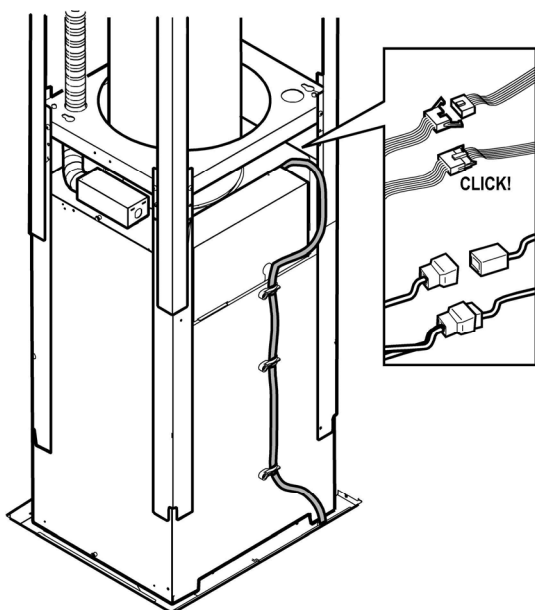
Atención: En esta etapa, comprobar los cables de conexión entre la campana y la caja del motor no estén dañados.

b. a continuación, desde la parte inferior con 4 tornillos.



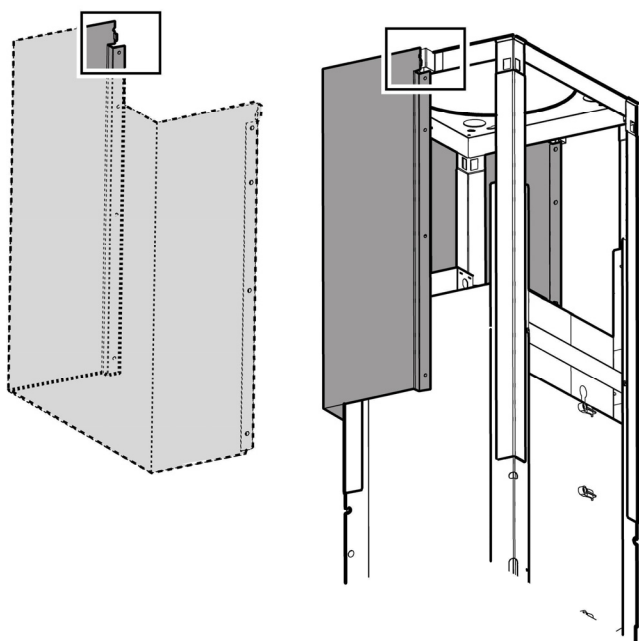
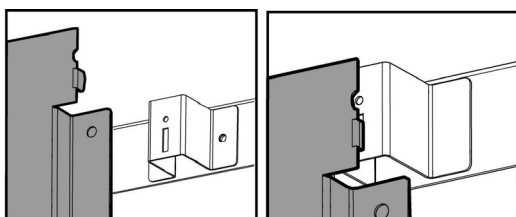
8. Realizar la conexión eléctrica entre la campana y la caja del motor.

**Nota:** Utilizar las abrazaderas para colocar el cable correctamente.



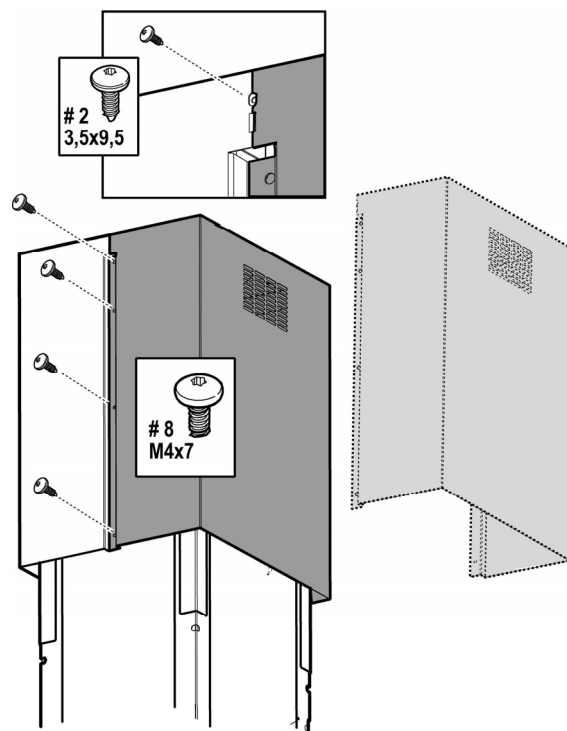
8. Empalmar las 2 secciones superiores de la chimenea cubriendo el cañón.

a. verificar que las lengüetas de enganche entran en las correspondientes ranuras de acomodación laterales.



b. fijar en la parte superior con 2 tornillos (uno por cada lado).

c. unir definitivamente las dos secciones de las chimeneas con 8 tornillos (4 por cada lado).



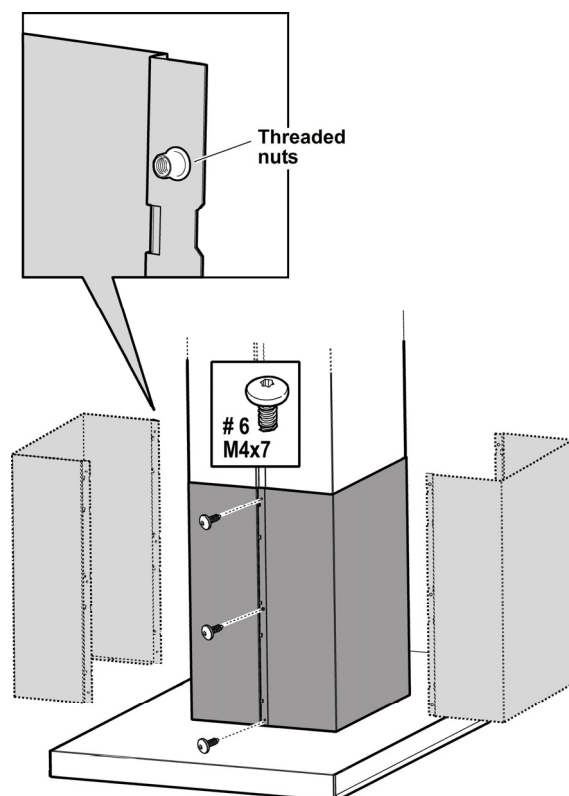
10. Fijar las chimeneas inferiores:

a. Apoyar sobre la campana la sección inferior/ trasera de la chimenea.

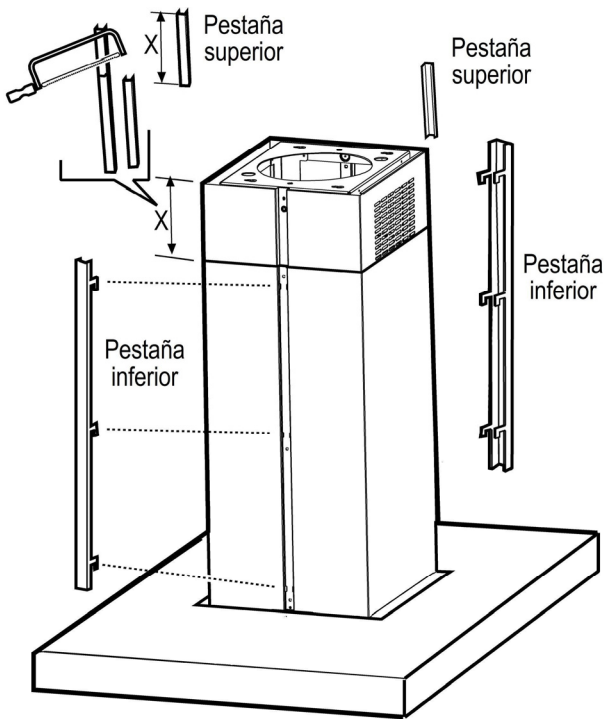
**Nota:** la sección trasera se reconoce por la presencia de unos casquillos de rosca.

b. Apoyar sobre la campana la sección inferior/delantera verificando el buen acoplamiento con la sección trasera.

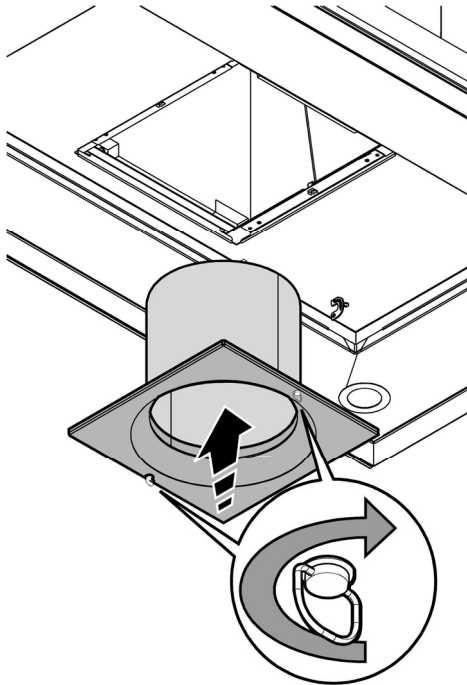
c. Asegurar con 6 tornillos (3 por cada lado).



**11.** Monte los listones de adorno (estrechas) inferiores a la cubierta de ventilación inferior.  
Corte los listones de adorno (anchos) superiores con una longitud que se ajuste a la cubierta de tubo superior. Coloque los listones de adorno superiores en la cubierta de tubo superior.



**20.** Instalar el conjunto de filtro de grasa.



**13.** Instalar de nuevo el panel.

**14.** Compruebe si todas las bombillas están correctamente instaladas.  
Conecte la alimentación en el panel de servicio.  
Compruebe el funcionamiento de los indicadores y el ventilador mediante la sección Uso y mantenimiento de este manual.

**Si la campana extractora no funciona:**

- Compruebe si el disyuntor está desconectado o se han fundido los fusibles.
- Desconecte el suministro eléctrico. Compruebe si el cableado es correcto.

**Para conseguir el funcionamiento más eficaz de la nueva campana extractora, lea la sección “Uso y mantenimiento”.**

**Para disponer de una referencia sencilla, siga las Instrucciones de instalación y la Guía de uso y mantenimiento.**

## Instalación -Versión sin tubos (Recirculación)

### 1. Cálculos previos a la instalación

**K** = Altura de cocina

**C** = Altura de encimera (estándar de 36")

**P** = Altura preferida de la parte inferior de la campana por encima de la encimera (recomendado entre 24" y 30")

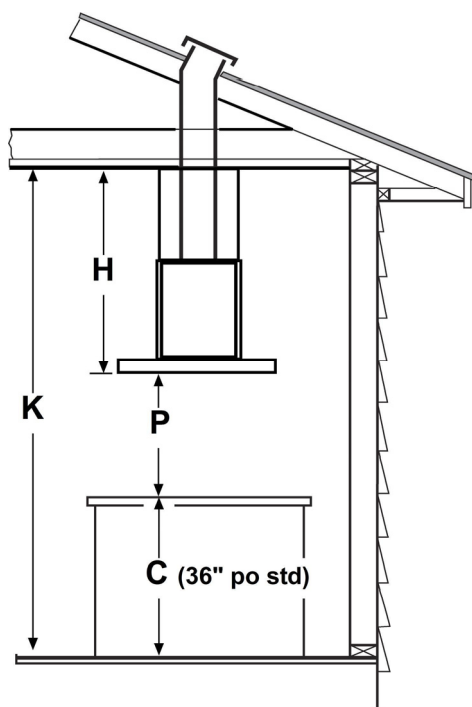
**H** = Altura de instalación de la campana

$$H = K - C - P$$

a) Seleccione una preferencia de la altura de la campana **P** cómoda para el usuario. (entre 24" y 30").

b) Calcule la altura de instalación de la campana ( $H = K - C - P$ ).

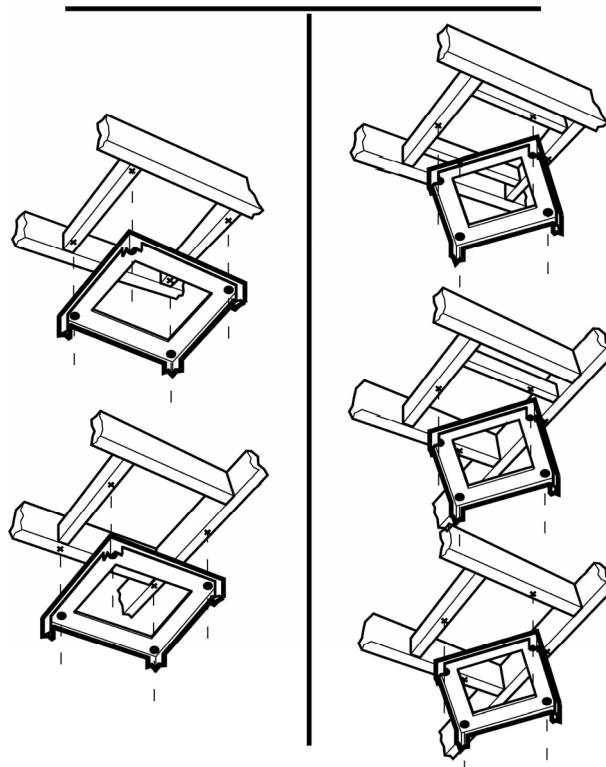
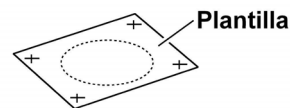
c) Compruebe que el valor de **H** (altura) se encuentra dentro del valor máximo y mínimo de altura para su modelo (consulte el párrafo "Dimensiones y espacios libres"). De lo contrario, ajuste su instalación.



### 2. Preparación de la superficie de montaje

#### Instalación de soportes en el techo.

Techo



**Nota:** tenga en cuenta la profundidad de la campana; es posible que la campana tenga una mayor profundidad que la cocina.

a. Marque las líneas centrales de la cocina o de la campana en el techo. Utilice las líneas centrales marcadas en el techo para colocar la plantilla de montaje.

Observe que en la plantilla se indican la ubicación de la parte delantera de la campana (mediante una flecha), el lateral y los orificios de montaje.

**Nota:** no olvide que la flecha impresa en la plantilla corresponde a la parte delantera de la campana y, por lo tanto, al lateral donde se colocarán los paneles de control al final de la instalación)

b. Retire y guarde la plantilla. Realice un corte y retire el techo aislante. Instale madera con una longitud apropiada de 2" x 4" entre las viguetas para facilitar puntos de montaje de la chimenea tal y como se indica arriba. Utilice la plantilla para las dimensiones y espacios libres necesarios.

Asegúrese de que la madera queda firmemente ajustada y nivelada. Si tiene dificultades o se trata de una instalación especial, consulte a un profesional. Consulte la plantilla y las ilustraciones anteriores.

c. Instale canal de cables eléctricos de 1/2" en la ubicación marcada en la plantilla y aumente.

**Nota:** si es preciso realizar la instalación de un ventilador remoto, proporcione un canal de cables u orificio adicional.

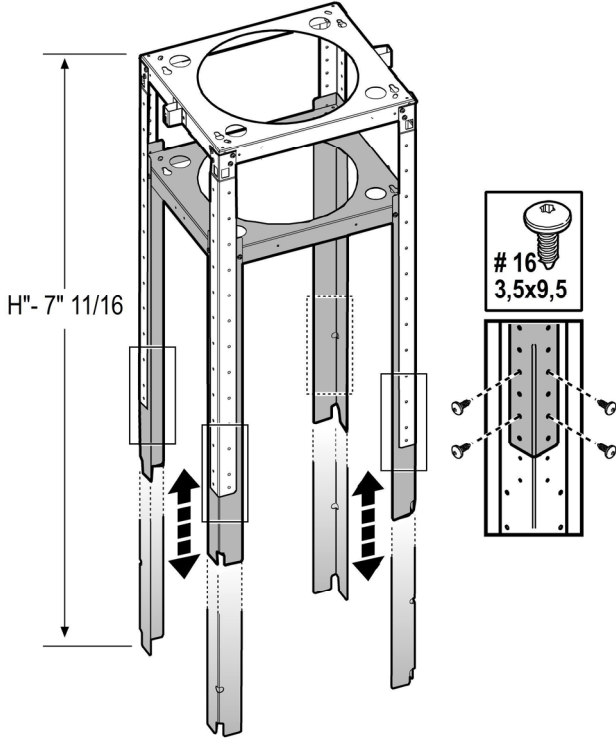
d. Instale tabique aislante alrededor del conducto y el



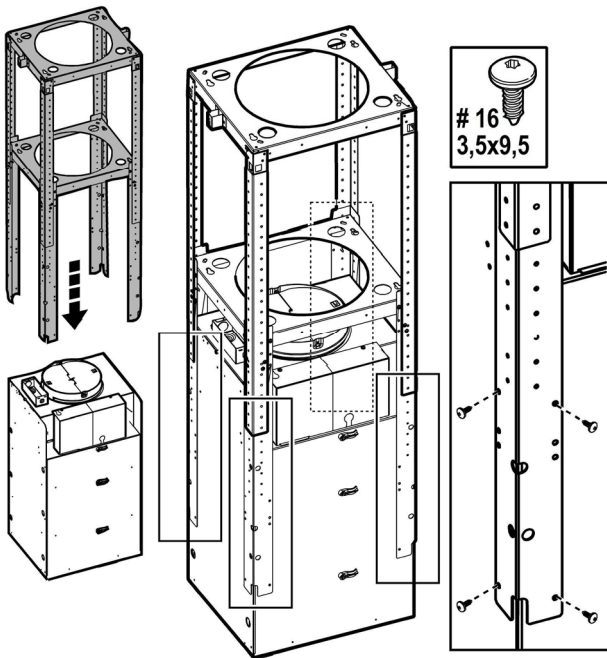
canal de cables; renueve el acabado del techo, deje espacio libre suficiente para una instalación de estructura de chimenea hasta el techo.

e. Coloque la plantilla en su sitio y ajuste los 4 tornillos en los orificios de montaje, no los apriete sino que deje un espacio de 1/2", retire la plantilla.

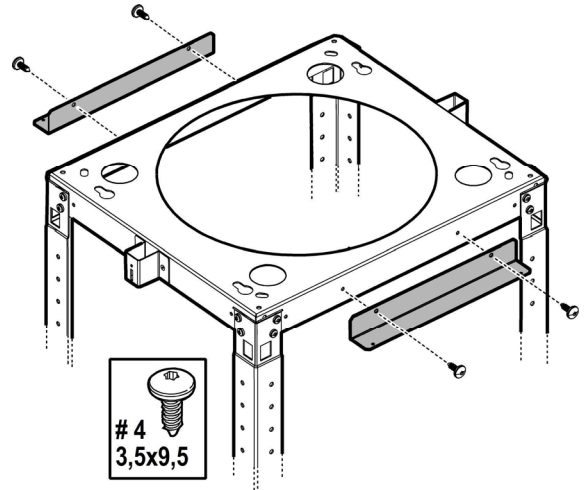
3. a. Regule la estructura de la chimenea y ajuste todas las piezas de montaje con 4 tornillos en cada soporte (16 tornillos en total), compruebe que la estructura está correctamente instalada.



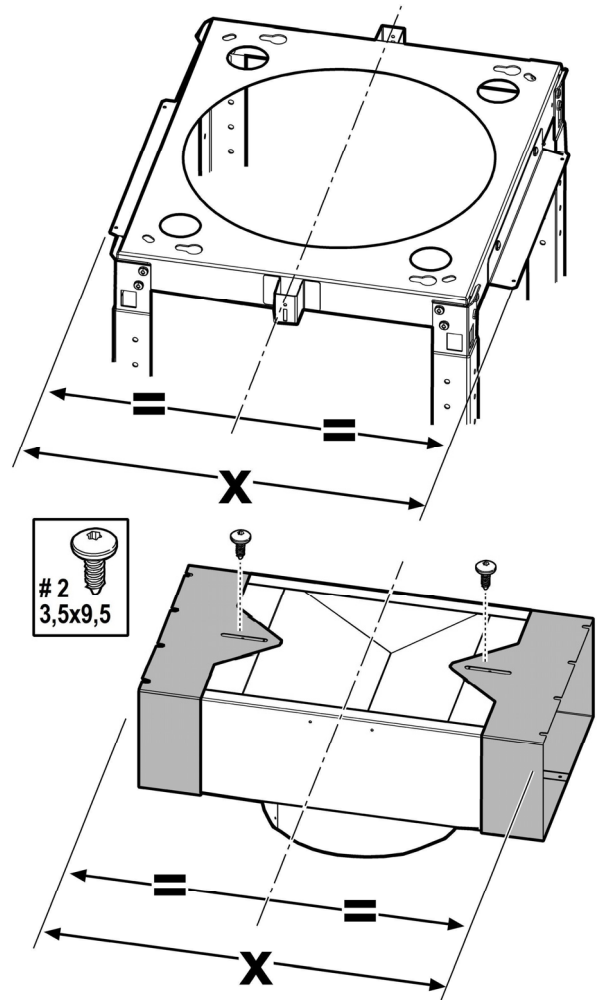
b. Sujetar la caja del motor en la estructura de la chimenea con los soportes, con 4 tornillos por cada soporte (16 tornillos en total), comprobar que todo está bien montado.



c. Instalar dos ángulos (1 por cada lado) para la fijación de la unión de filtrado. Cada ángulo se fija con 2 tornillos.



d. Ajustar el ancho de la unión filtrante y asegurar las secciones telescópicas con 2 tornillos (uno por cada sección).



4. Enganche el enrejado en los 4 tornillos.

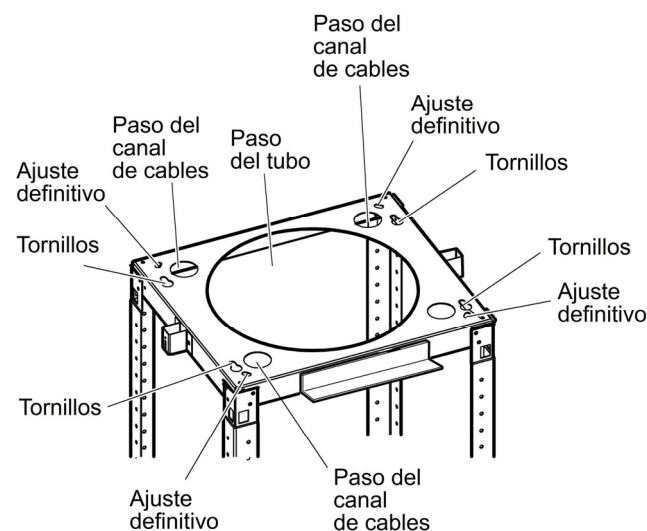
**ADVERTENCIA**

**Peligro de peso excesivo**

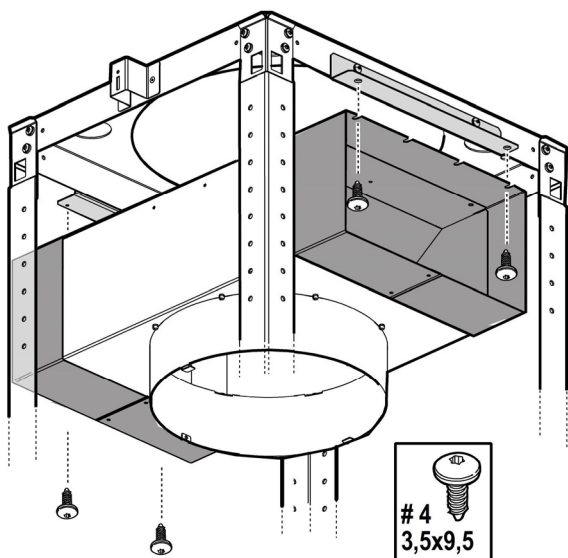
Serán necesarias dos o más personas para mover e instalar la campana extractora.

De lo contrario, podrían producirse lesiones de espalda o de otro tipo.

Realice el ajuste angular final a la estructura del techo. Si es necesario, apriete los 4 tornillos de cabeza cuadrada para techo. Ajuste los seis tornillos adicionales para un ajuste definitivo.



5. Encajar el deflector en el enrejado y asegurarlo a los soportes usando 4 tornillos, a continuación, instalar un tubo de escape al anillo de conexión ubicado en el deflector con aquel ubicado en la parte superior de la caja del motor. Sellar con cinta.



6. **Conexión eléctrica**

**ADVERTENCIA**

**Peligro de descarga eléctrica**

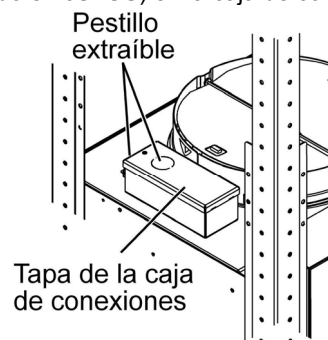
Advertencia: antes de realizar el cableado de este aparato, desactive el circuito de energía eléctrica en el panel de servicio.

Se requiere un circuito 120 VAC, 15 ó 20 A.

INSTRUCCIONES DE TOMA ELÉCTRICA  
ESTE APARATO DISPONE DE UNA CAJA DE CONEXIONES ELÉCTRICAS CON 3 CABLES, UNO DE LOS CUALES (VERDE Y AMARILLO) SIRVE COMO TOMA DE TIERRA PARA EL APARATO PARA PROTEGERSE DE DESCARGAS ELÉCTRICAS, EL CABLE VERDE Y AMARILLO DEBE ESTAR CONECTADO AL CABLE DE TOMA A TIERRA DE SU SISTEMA DOMÉSTICO DE ELECTRICIDAD Y BAJO NINGUNA CIRCUNSTANCIA DEBE CORTARSE O ELIMINARSE.

De lo contrario, podría tener como resultado una descarga eléctrica o la muerte.

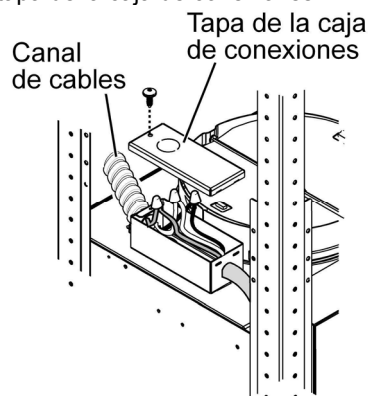
Retire el pestillo extraíble y la tapa de la caja de conexiones e instale el conector de canal de cables (Enumerado en cULUS) en la caja de conexiones.



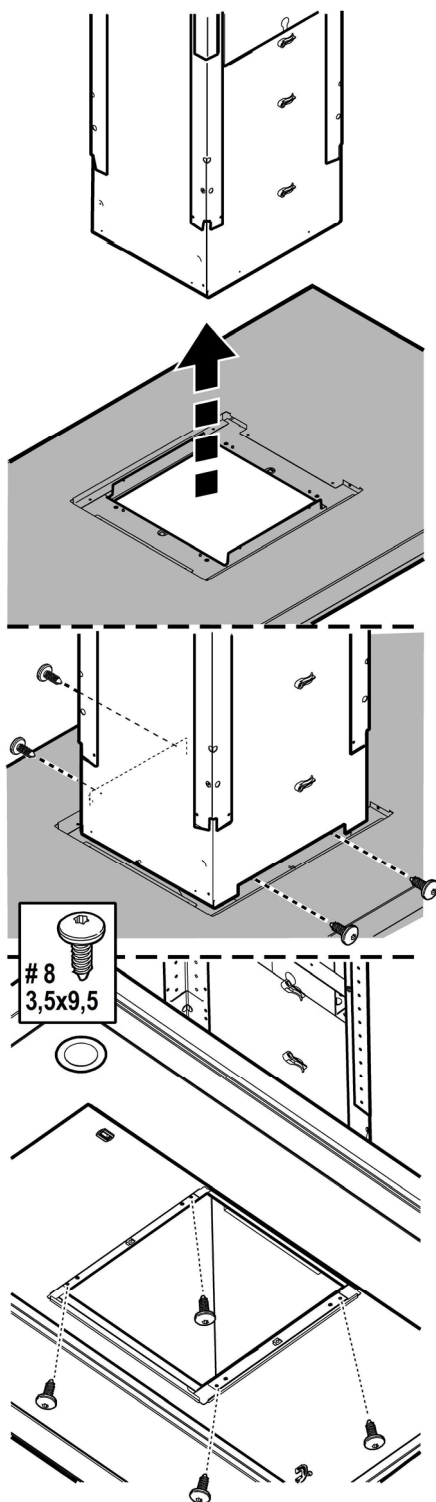
Coloque 3 cables (Negro, blanco y verde) de acuerdo con el National Electrical Code y la normativa y las ordenanzas locales en el canal de cables de 1/2" del panel del servicio a la caja de conexiones.

Conecte el cable negro del panel de servicio al cable negro o rojo de la caja de conexiones, el cable blanco al blanco y el verde al verde-amarillo.

Cierre la tapa de la caja de conexiones.

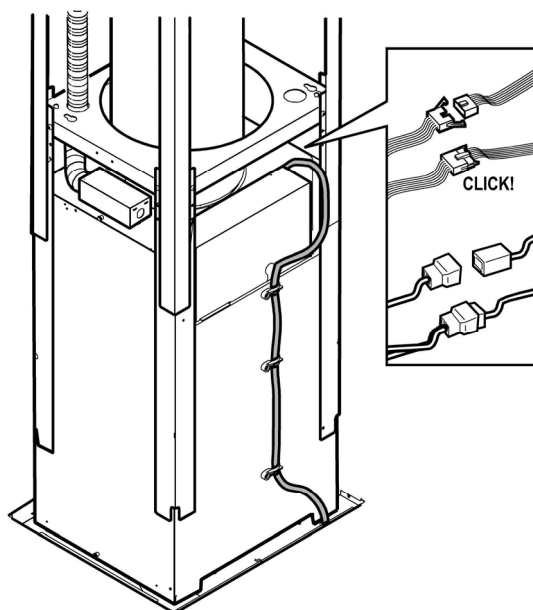


7. Fijar la campana a la caja del motor con 8 tornillos:
- primero desde arriba con 4 tornillos.
- Atención:** En esta etapa, comprobar los cables de conexión entre la campana y la caja del motor no estén dañados.
- a continuación, desde la parte inferior con 4 tornillos.



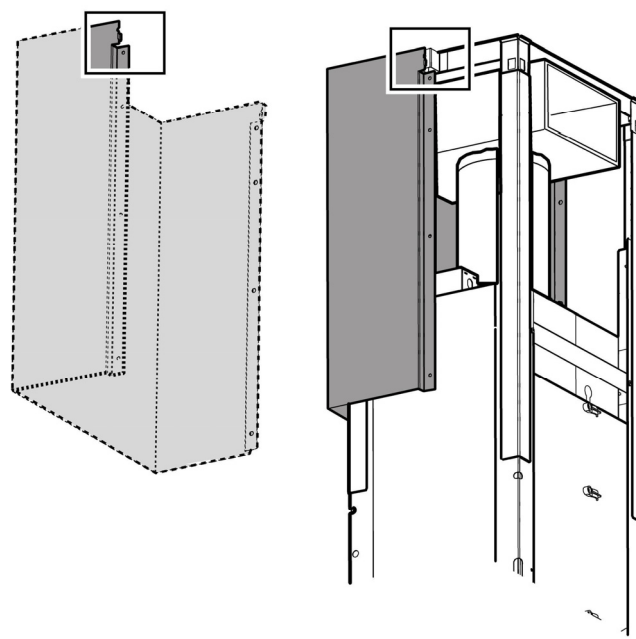
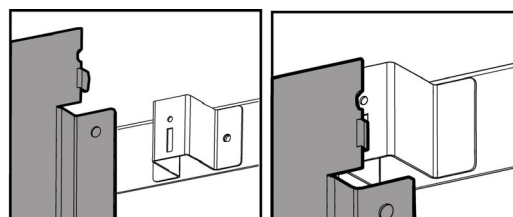
8. Realizar la conexión eléctrica entre la campana y la caja del motor.

**Nota:** Utilizar las abrazaderas para colocar el cable correctamente.



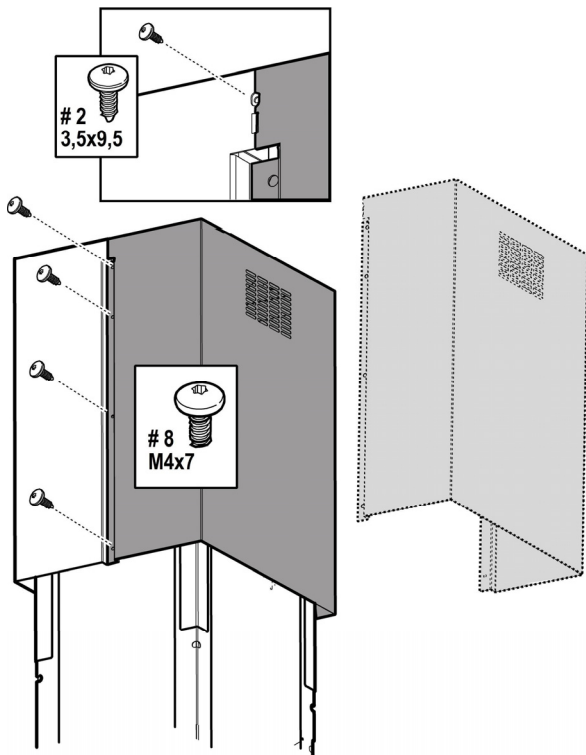
8. Empalmar las 2 secciones superiores de la chimenea cubriendo el cañón.

a. verificar que las lengüetas de enganche entran en las correspondientes ranuras de acomodación lateral.



b. fijar en la parte superior con 2 tornillos (uno por cada lado).

c. unir definitivamente las dos secciones de las chimeneas con 8 tornillos (4 por cada lado).



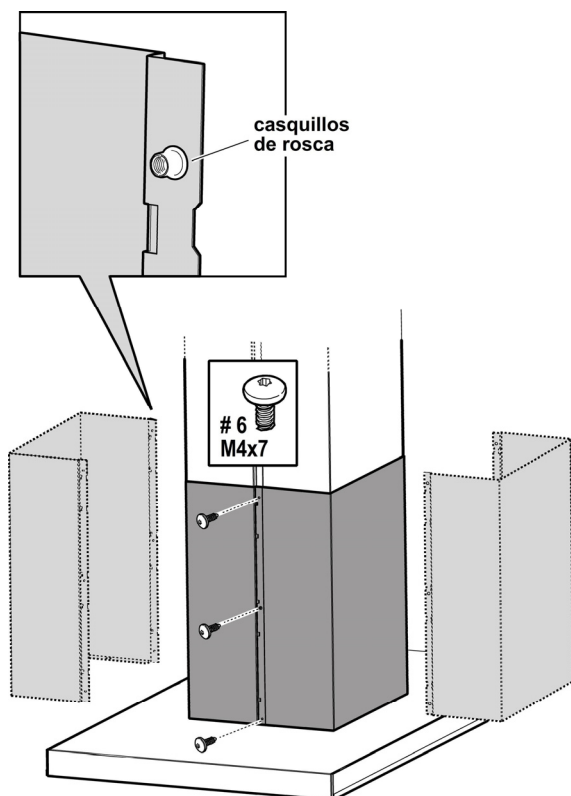
10. Fijar las chimeneas inferiores:

a. Apoyar sobre la campana la sección inferior/ trasera de la chimenea.

**Nota:** la sección trasera se reconoce por la presencia de unos casquillos de rosca.

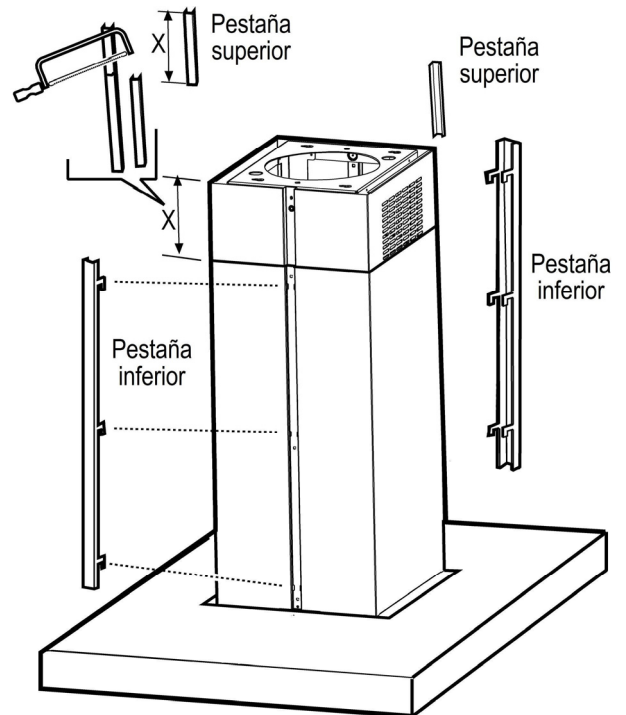
b. Apoyar sobre la campana la sección inferior/delantera verificando el buen acoplamiento con la sección trasera.

c. Asegurar con 6 tornillos (3 por cada lado).

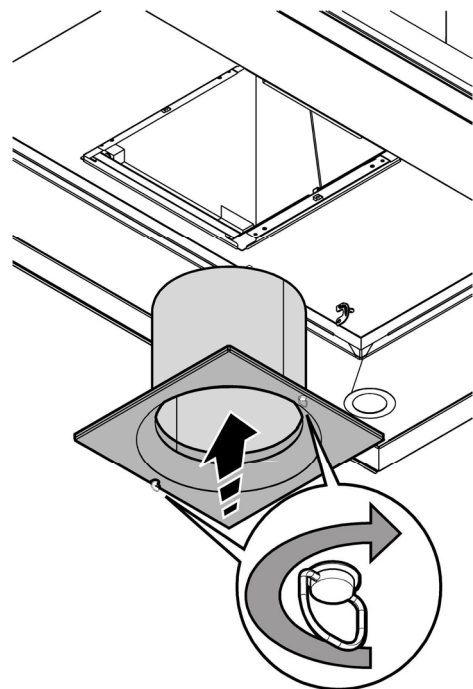


11. Monte los listones de adorno (estrechas) inferiores a la cubierta de ventilación inferior.

Corte los listones de adorno (anchos) superiores con una longitud que se ajuste a la cubierta de tubo superior. Coloque los listones de adorno superiores en la cubierta de tubo superior.



20. Instalar el conjunto de filtro de grasa.



13. Instalar de nuevo el panel.

14. Compruebe si todas las bombillas están correctamente instaladas.

Conecte la alimentación en el panel de servicio. Compruebe el funcionamiento de los indicadores y el ventilador mediante la sección Uso y mantenimiento de este manual.

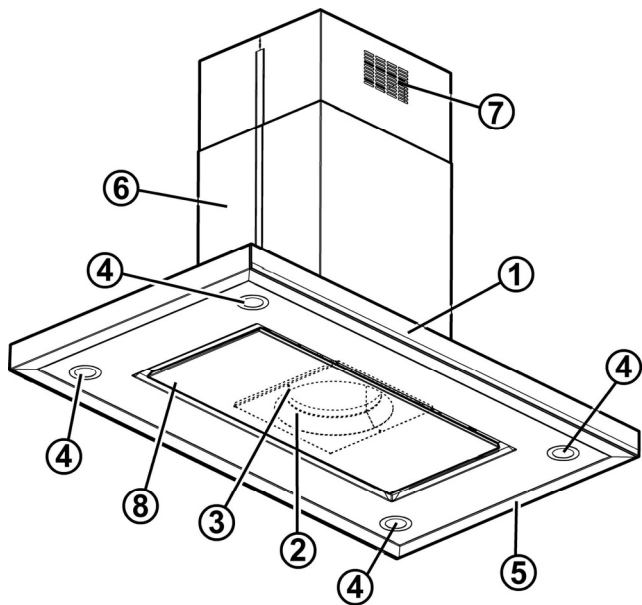
**Si la campana extractora no funciona:**

- Compruebe si el disyuntor está desconectado o se han fundido los fusibles.
- Desconecte el suministro eléctrico. Compruebe si el cableado es correcto.

**Para conseguir el funcionamiento más eficaz de la nueva campana extractora, lea la sección “Uso y mantenimiento”.**

**Para disponer de una referencia sencilla, siga las Instrucciones de instalación y la Guía de uso y mantenimiento.**

## Descripción de la campana y los controles



1. Cuadro de control
2. Filtro antigrasa
3. Manija de desenganche del filtro antigrasa
4. Lámpara halógena
5. Protección contra vapores
6. Chimenea telescópica
7. Salida del aire (sólo para uso en versión filtrante)
8. Panel

### Controles

Usar la potencia de aspiración mayor en caso de particular concentración de vapores de cocina. Aconsejamos de encender la aspiración 5 minutos antes de iniciar a cocinar y dejarla en función por otros 15 minutos aproximadamente.

### Descripción del panel de control

Para seleccionar las funciones de la campana basta con rozar los mandos.



**Tecla ON/OFF luz**



**Tecla de selección de la velocidad** (potencia de aspiración) intensiva - duración 5 minutos – pulse otra vez para volver a la configuración precedente.



**Tecla de selección de la velocidad** (potencia de aspiración) alta



**Tecla de selección de la velocidad** (potencia de aspiración) media- cuando parpadea indica la necesidad de lavar o sustituir el filtro al carbono. Esta señal está normalmente desactivada, para activar la señal, excluir la electrónica apretando por 3 segundos la tecla 0.

Sucesivamente, apretar contemporáneamente las teclas 1 y 2 por 3 segundos, antes destellará sólo la tecla 1, luego destellarán ambas teclas 1 y 2 para indicar la activación. Repetir la operación para desactivar la señal, antes destellarán las teclas 1 y 2, luego destellará sólo la tecla 1 para indicar la desactivación.



**Tecla de selección de la velocidad** (potencia de aspiración) baja - cuando parpadea indica la necesidad de lavar el filtro de grasas.



**Tecla OFF motor** (stand by) – Exclusión de la Electrónica - Reset señalación lavado/sustitución de los filtros.

#### OFF MOTOR

Pulse brevemente para apagar el motor.

#### RESET SEÑALACIÓN DE LOS FILTROS

Con la campana extractora encendida, después de haber llevado a cabo el mantenimiento de los filtros, pulse la tecla hasta escuchar la señal acústica. El led relampagueante 1 (filtro anti grasas) o 2 (filtro al carbono) deja de relampaguear.

#### EXCLUSIÓN DE LA ELECTRONICA

Pulse por 3 segundos la tecla, se desconecta la electrónica de mando de la campana.

Esta función puede ser útil durante la operación de limpieza del producto.

Para activar la electrónica bastará repetir la operación.

En caso de eventuales anomalías en el funcionamiento, antes de dirigirse al servicio de asistencia, desconectar el aparato de la alimentación eléctrica, extrayendo el enchufe al menos durante 5 segundos, y después conectarlo nuevamente. Si la anomalía de funcionamiento no desaparece, dirigirse al servicio de asistencia.

# Instrucciones para el servicio de venta y de postventa y mantenimiento

¡Atención! Antes de cualquier operación de limpieza o mantenimiento, retire la campana de la red eléctrica desconectando el enchufe o desconectando el interruptor general de la casa.

## Limpieza

La campana debe ser limpiada con frecuencia tanto externamente como internamente (con la misma frecuencia con la que se realiza el mantenimiento de los filtros de grasa). Para la limpieza, utilice un paño impregnado de detergente líquido neutro. No utilice productos que contengan abrasivos. **¡NO UTILICE ALCOHOL!**

**ATENCIÓN:** De no observarse las instrucciones dadas para limpiar el aparato y sustituir el filtro, puede producirse un incendio. El fabricante recomienda leerlas y respetarlas atentamente.

El fabricante no se hace responsable por los daños al motor o los incendios provocados en el aparato debido a intervenciones de mantenimiento incorrectas o al incumplimiento de las normas de seguridad proporcionadas.

## Mantenimiento del panel

¡Atención! Tener con ambas manos el panel cuando se desmonta o monta en posición para evitar que caiga y cause daños a personas o a cosas.

### Desmontaje:

1. tirar el panel (LADO ANTERIOR) con decisión hacia abajo,
2. Empujar hacia la izquierda la pequeña palanca que está en la parte derecha del panel,
3. desengancharlo de las cremalleras posteriores.

### Limpieza:

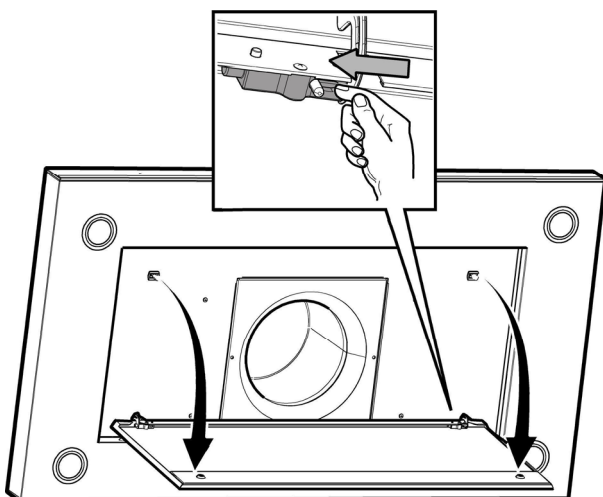
el panel de aspiración debe ser limpiado con la misma frecuencia del filtro anti-grasas. Usar un paño humedecido con detergente líquido neutro.

Evitar el uso de productos que contienen abrasivos. **¡NO UTILICE ALCOHOL!**

### Montaje :

El panel debe ser enganchado posteriormente y fijado anteriormente a encaje en los pernos apropiados, sobre la superficie de la campana.

¡Atención! Verifique siempre que el panel esté bien fijo en su lugar.



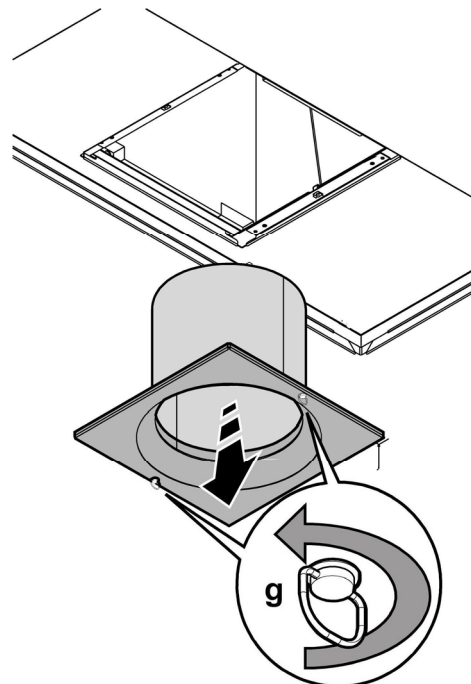
## Filtro contra la grasa

Retiene las partículas de grasa producidas cuando se cocina.

El filtro antigrasa metálico debe limpiarse una vez al mes con detergentes no agresivos, manualmente o bien en lavavajillas a bajas temperaturas y con ciclo breve.

Con el lavado en el lavavajilla el filtro antigrasa metálico puede desteñirse pero sus características de filtrado no cambian absolutamente.

Saque la cubierta que sujeta el filtro girando 90 grados los pomos (g) que la sujetan a la campana.

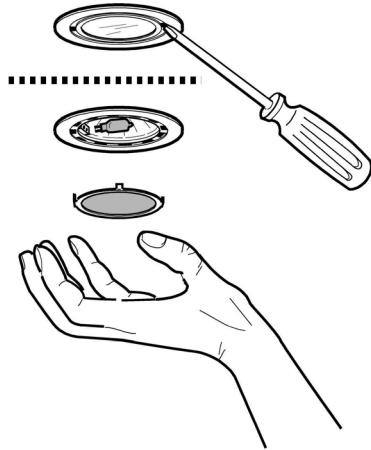


## Sustitución de la bombilla

Desconecte el aparato de la red eléctrica.

**Atención!** Antes de tocar las lámparas asegúrese de que estén frías.

Sustituir la lámpara dañada con una del mismo tipo como se especifica en la etiqueta correspondiente o en la campana cerca de la lámpara misma .



1. Extraer la protección haciendo palanca con un pequeño destornillador de boca plana o una herramienta similar.
  2. Sustituir la lámpara dañada.  
Utilizar sólo lámparas halógenas de 12V -20W max - G4  
**(Adecuada para su uso en luminaria abierta)**  
prestando atención en no tocarlas con las manos.
  3. Cerrar el plafón (fijación a presión).
- Si la iluminación no funciona, antes de llamar al servicio de asistencia técnica, controlar que las lámparas estén bien montadas en su sede.

## Filtros de Carbón

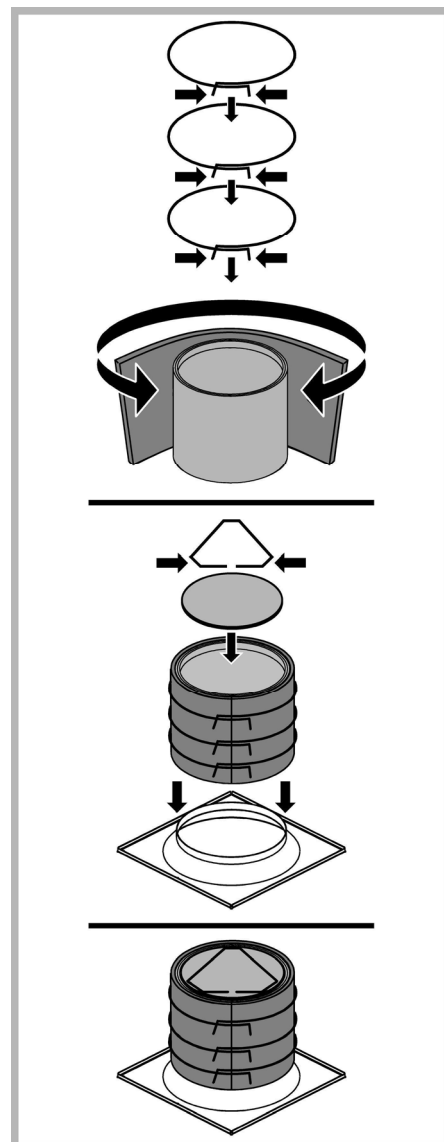
**Retiene los olores desagradables producidos por el cocinado de alimentos.**

El filtro al carbón puede lavarse cada dos meses (o cuando el sistema de indicación de saturación de los filtros - si está previsto en el modelo que se posee - indica esta necesidad) con agua caliente y detergentes adecuados o en lavavajillas a 65°C ( en caso de lavado con lavavajillas, realice el ciclo de lavado completo sin platos en el interior.). Quite el agua que haya quedado en el filtro sin estropearlo, después póngalo en el horno a 100°C durante diez minutos para secarlo completamente. Cambie el almohadillado cada 3 años y cada vez que el paño se estropee.

### Montaje

Coloque el filtro de carbón alrededor del filtro de grasa y fíjelo con los dispositivos de bloqueo correspondientes. Aplique el tapón superior y fíjelo con el muelle de bloqueo.

Para el desmontaje, proceda en sentido inverso.





## Garantía

# *ELICA North America* **GARANTIA LIMITADA DE DOS AÑOS.**

### **PARA OBTENER SERVICIO DENTRO DE GARANTIA.**

El propietario debe presentar su recibo original de la compra. Guarde por favor una copia de su recibo de compra como prueba, para recibir el servicio dentro del periodo de garantía.

### **PARTES Y GARANTIA DE SERVICIO.**

Por el periodo de (2) dos años desde la fecha original de la compra, Elica proveerá, gratuitamente, partes no-consumibles o componentes que hayan fallado debido a defectos de fabricación. Durante estos (2) años de garantía limitada, Elica también proveerá gratuitamente, todo el servicio en casa y mano de obra necesaria para reemplazar cualquier parte defectuosa.

### **QUE NO ESTA CUBIERTO**

- Daños o fallas del producto causados por accidente o actos de Dios, tales como inundaciones incendios o terremotos.
- Daños o fallas causadas por alteración del producto o por el uso de partes no-originales.
- Daños o fallas del producto causados durante la entrega, manejo o instalación.
- Daños o fallas del producto causados por abuso del usuario.
- Daños o fallas del producto causados por reemplazo de fusibles dañados o reseteo de interruptor de circuito.
- Daño o fallas causados por el uso del producto en un ambiente comercial (no doméstico).
- Viajes de servicio debidos a dudas sobre el uso o instalación del producto.
- Bombillas, filtros de carbón o metal y cualquier otra parte consumible.
- Desgaste normal.
- Desgaste terminal debido a abusos del usuario, mantenimiento inadecuado, uso de productos / toallas de limpieza corrosivos o abrasivos y por uso de limpiadores para hornos.

### **QUIEN ESTA CUBIERTO**

Esta garantía se extiende al comprador original de productos adquiridos para uso residencial en Norte América (incluyendo Estados Unidos, Guam, Puerto Rico, Islas Vírgenes de USA y Canadá).

Esta garantía no es transferible y aplica solamente al comprador original y no se extiende a propietarios subsecuentes del producto.

Esta garantía se expresa en lugar de otras garantías, expresadas o implícadas, incluyendo, pero no limitada a ninguna garantía implícada de comercialización o adaptada para propósitos particulares y cualquier otra obligación por parte de Elica North America, considerando, sin embargo, que si la negación de garantías implícitas es inefectiva bajo la ley aplicable, la duración de cualquier garantía implícita será limitada a dos (2) años desde la fecha original de compra o por el periodo necesario como sea requerido por la ley aplicable.

Esta garantía no cubre cualquier daño especial, incidental y/o consecuente, ni pérdidas de ganancias, sufridas por el comprador original, sus clientes y/o usuarios del producto.

### **A QUIEN CONTACTAR**

Para obtener Servicio bajo Garantía o para cualquier pregunta relacionada a Servicio.

Favor de llamar:

- Servicio Autorizado de Elica North America al (888) 732-8018

O escribiendo a:

- Elica North America, Atención a Servicio a Clientes,  
6658 156th Avenue SE,  
Bellevue, WA 98006 USA  
infoamericas@elica.com





