



Use, Care, and Installation Guide
Guide d'utilisation, d'entretien et d'installation
Guía de instalación, uso y mantenimiento

READ AND SAVE THESE INSTRUCTIONS
LISEZ CES INSTRUCTIONS ET CONSERVEZ-LES
LEA Y GUARDE ESTAS INSTRUCCIONES



EN
FR
ES

Contents	page	3
Sommaire	page	20
Contenido	página	37

English

Contents

Important safety Notice	4
Electrical & Installation requirements	5
Electrical requirements	5
Before installing the hood	5
List of Materials	6
Parts supplied	6
Parts not supplied	6
Dimensions and Clearances	7
Ducting Options and Examples	8
Venting methods	8
Preparation	8
Installation	9
Preparation of the hood for installation:	9
Installation - Ducting version.....	10
Installation - Ductless (Recirculating) version.....	13
Description of the hood & Controls	16
Controls.....	16
User Servicing and Maintenance Instructions	17
Cleaning.....	17
Grease Filter	17
Replacing the light bulb.....	18
Charcoal Filter.....	18
Warranty	19

**APPROVED FOR RESIDENTIAL APPLIANCES
FOR RESIDENTIAL USE ONLY
READ AND SAVE THESE INSTRUCTIONS**

PLEASE READ ENTIRE INSTRUCTIONS BEFORE PROCEEDING.

INSTALLATION MUST COMPLY WITH ALL LOCAL CODES.

IMPORTANT: Save these Instructions for the Local Electrical Inspector's use.

INSTALLER: Please leave these Instructions with this unit for the owner.

OWNER: Please retain these instructions for future reference.

Safety Warning: Turn off power circuit at service panel and lock out panel, before wiring this appliance.

Requirement: 120 V AC, 60 Hz. 15 or 20 A Branch Circuit

READ AND SAVE THESE INSTRUCTIONS

Important safety Notice

CAUTION

FOR GENERAL VENTILATING USE ONLY. **DO NOT USE TO EXHAUST HAZARDOUS OR EXPLOSIVE MATERIALS OR VAPOURS.**

WARNING

TO REDUCE THE RISK OF FIRE, ELECTRIC SHOCK, OR INJURY TO PERSONS, OBSERVE THE FOLLOWING:

- A. Use this unit only in the manner intended by the manufacturer. If you have questions, contact the manufacturer.
- B. Before servicing or cleaning the unit, switch power off at service panel and lock service panel disconnecting means to prevent power from being switched on accidentally. When the service disconnecting means cannot be locked, securely fasten a prominent warning device, such as a tag, to the service panel.
- C. Installation Work and Electrical Wiring Must Be Done By Qualified Person(s) In Accordance With All Applicable Codes & Standards, Including Fire-rated Construction.
- D. Sufficient air is needed for proper combustion and exhausting of gases through the flue (Chimney) of fuel burning equipment to prevent back-drafting. Follow the heating equipment manufacturers guideline and safety standards such as those published by the National Fire Protection Association (NFPA), the American Society for Heating, Refrigeration and Air Conditioning Engineers (ASHRAE), and the local code authorities.
- E. When cutting or drilling into wall or ceiling, do not damage electrical wiring and other hidden utilities.
- F. Ducted systems must always be vented to the outdoors.

CAUTION

To reduce risk of fire and to properly exhaust air, be sure to duct air outside - do not vent exhaust air into spaces within walls, ceilings, attics, crawl spaces, or garages.

WARNING

TO REDUCE THE RISK OF FIRE, USE ONLY METAL DUCT WORK.

Install this hood in accordance with all requirements specified.

WARNING

To Reduce The Risk Of Fire Or Electric Shock, Do Not Use This Hood With Any External Solid State Speed Control Device.

WARNING

TO REDUCE THE RISK OF A RANGE TOP GREASE FIRE.

- a) Never leave surface units unattended at high settings. Boilovers cause smoking and greasy spillovers that may ignite. Heat oils slowly on low or medium settings.
- b) Always turn hood ON when cooking at high heat or when flambeing food (i.e. Crepes Suzette, Cherries Jubilee, Peppercorn Beef Flambe').
- c) Clean ventilating fans frequently. Grease should not be allowed to accumulate on fan or filter.
- d) Use proper pan size. Always use cookware appropriate for the size of the surface element.

WARNING

TO REDUCE THE RISK OF INJURY TO PERSONS, IN THE EVENT OF A RANGE TOP GREASE FIRE, OBSERVE THE FOLLOWING^a:

- a) SMOTHER FLAMES with a close-fitting lid, cookie sheet, or other metal tray, then turn off the gas burner or the electric element. BE CAREFUL TO PREVENT BURNS. If the flames do not go out immediately, EVACUATE AND CALL THE FIRE DEPARTMENT.
- b) NEVER PICK UP A FLAMING PAN - you may be burned.
- c) DO NOT USE WATER, including wet dishcloths or towels - a violent steam explosion will result.
- d) Use an extinguisher **ONLY** if:
 - 1) You know you have a class ABC extinguisher, and you already know how to operate it.
 - 2) The fire is small and contained in the area where it started.
 - 3) The fire department is being called.
 - 4) You can fight the fire with your back to an exit.

^a Based on "Kitchen Firesafety Tips" published by NFPA.

OPERATION

a. Always leave safety grills and filters in place. Without these components, operating blowers could catch onto hair, fingers and loose clothing.

The manufacturer declines all responsibility in the event of failure to observe the instructions given here for installation, maintenance and suitable use of the product. The manufacturer further declines all responsibility for injury due to negligence and the warranty of the unit automatically expires due to improper maintenance.

Electrical & Installation requirements

Electrical requirements

IMPORTANT

Observe all governing codes and ordinances.

It is the customer's responsibility:

To contact a qualified electrical installer.

To assure that the electrical installation is adequate and in conformance with National Electrical Code, ANSI/NFPA 70 — latest edition*, or CSA Standards C22.1-94, Canadian Electrical Code, Part 1 and C22.2 No.0-M91 - latest edition** and all local codes and ordinances.

If codes permit and a separate ground wire is used, it is recommended that a qualified electrician determine that the ground path is adequate.

Do not ground to a gas pipe.

Check with a qualified electrician if you are not sure range hood is properly grounded.

Do not have a fuse in the neutral or ground circuit.

IMPORTANT

Save Installation Instructions for electrical inspector's use.

The range hood must be connected with copper wire only.

The range hood should be connected directly to the fused disconnect (Or circuit breaker) box through metal electrical conduit.

Wire sizes must conform to the requirements of the National Electrical Code ANSI/NFPA 70 — latest edition*, or CSA Standards C22.1-94, Canadian Electrical Code Part 1 and C22.2 No. 0-M91 - latest edition** and all local codes and ordinances.

A U.L.- or C.S.A.-listed conduit connector must be provided at each end of the power supply conduit (at the range hood and at the junction box).

Copies of the standards listed may be obtained from:

* National Fire Protection Association Batterymarch Park Quincy, Massachusetts 02269

** CSA International 8501 East Pleasant Valley Road Cleveland, Ohio 44131-5575

Before installing the hood

1. For the most efficient air flow exhaust, use a straight run or as few elbows as possible.
CAUTION: Vent unit to outside of building, only.
2. At least two people are necessary for installation. Wear gloves to protect against sharp edges.
3. Fittings material is provided to secure the hood to most types of walls/ceilings, consult a Qualified Installer, check if they perfectly fit with your cabinet/wall.
4. Do not use flex ducting.
5. COLD WEATHER installations should have an additional backdraft damper installed to minimize backward cold air flow and a nonmetallic thermal break to minimize conduction of outside temperatures as part of the ductwork. The damper should be on the cold air side of the thermal break.
The break should be as close as possible to where the ducting enters the heated portion of the house.
6. Make up air: Local building codes may require the use of Make-Up Air Systems when using Ducted Ventilation Systems greater than specified CFM of air movement. The specified CFM varies from locale to locale. Consult your HVAC professional for specific requirements in your area.

List of Materials

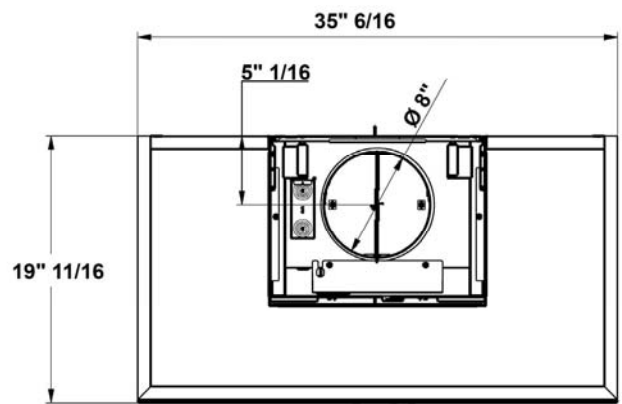
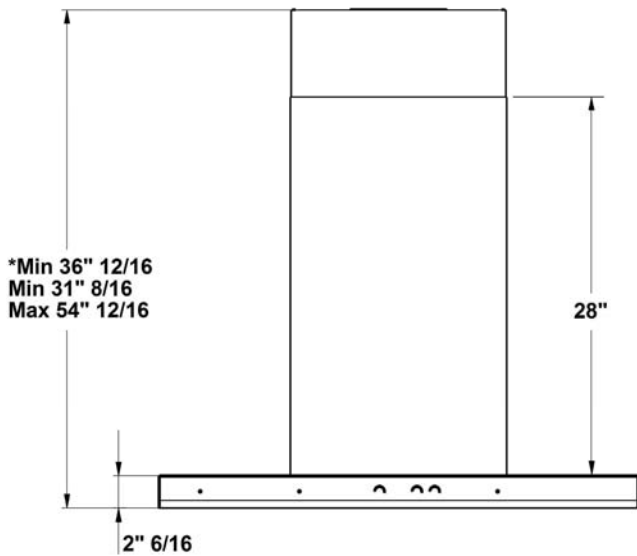
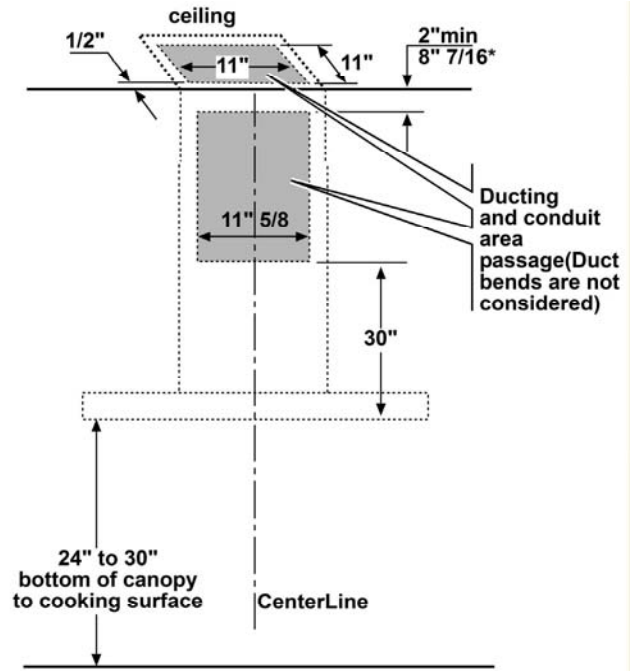
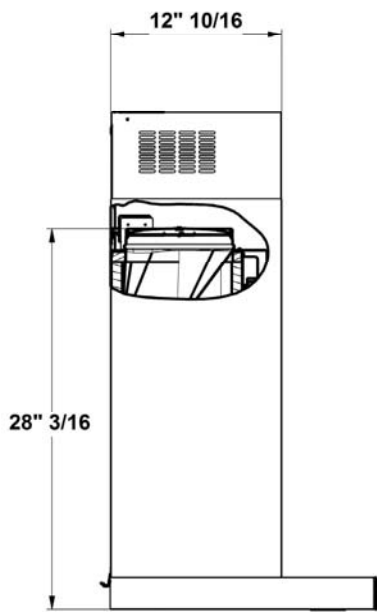
Parts supplied

- Hood canopy with panel, lamps and motor already assembled.
- Duct Covers
- Grease filter assembly + fixing devices.
- Deflector (ductless version - 3 pieces to assemble)
- Hardware Packet:
 - Allen spanner x 1
 - Template
 - Use, Care and Installation guide
 - Hook x 2
 - Hook support bracket x 2
 - Duct Cover support bracket (3 pieces to assemble)
 - Lower support bracket
 - 3,5x9,5 screws x 14
 - 4x8 screws x 4 (to assemble Duct cover support bracket)
 - 3,9x25 screws x 4 (to assemble hooks to support brackets)
 - 2,9x6,5 screws x 2 (to fix duct cover)
 - 5 x 45 screws x 6 (for all fixing to rear wall)

Parts not supplied

- Duct, conduit and all tools required for installation.
- **Ductless Recirculating Kit**
To be used only in the **Ductless (Recirculating) version**
includes: charcoal filter, charcoal filter fixing devices.

Dimensions and Clearances



* Ductless (recirculating) version ONLY.

Ducting Options and Examples

Closely follow the instructions set out in this manual.

All responsibility, for any eventual inconveniences, damages or fires caused by not complying with the instructions in this manual, is declined.

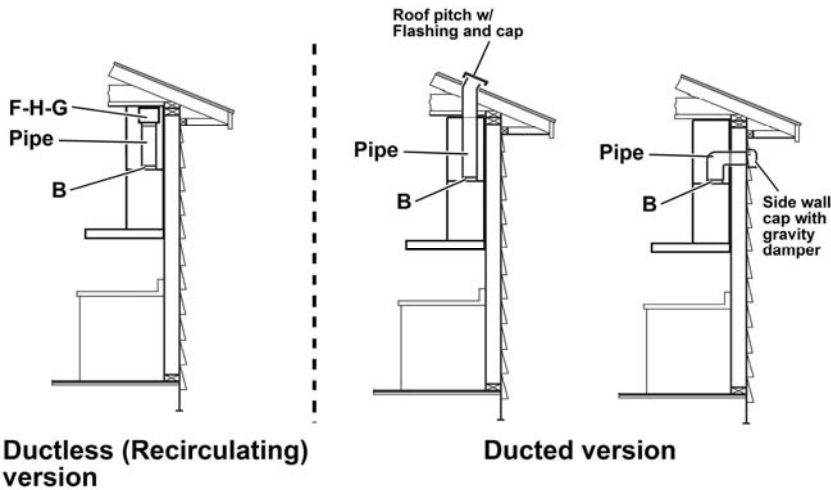
Venting methods

The hood is equipped with a transition **B** for discharge of fumes to the outside (**Ducting version**).

Should it not be possible to discharge cooking fumes and vapour to the outside, the hood can be used in the **Ductless (Recirculating) version**. Attach a charcoal filter and the deflector **F** on the duct cover support bracket **G**. Fumes and vapours are recycled through the top grille **H** by means of a duct connected to the transition **B** and the transition mounted on the deflector **F**.

NOTE: For ductless (Recirculating) version only: purchase the Ductless Recirculating Kit.

Minimum Duct Size (Ducting/Ductless version): 8" Round Pipe.



Preparation

Do not cut a joist or stud unless absolutely necessary. If a joist or stud must be cut, then a supporting frame must be constructed.

Fittings material is provided to secure the hood to most types of walls/ceilings. However, a qualified technician must verify suitability of the materials in accordance with the type of wall/ceiling.

Before making cutouts, make sure there is proper clearance within the ceiling or wall for exhaust vent.

Hood installation height above cooktop is the users preference. The lower the hood is above the cooktop, the more efficient the capturing of cooking odors, grease and smoke.

CAUTION: FOR GAS RANGES INSTALLATION: MOUNT THIS HOOD SO THAT THE BOTTOM EDGE IS AT 30" (76,2 CM) ABOVE THE COOKING SURFACE.

FOR ELECTRIC RANGES INSTALLATION: MOUNT THIS HOOD SO THAT THE BOTTOM EDGE IS NOT LESS THAN 24" (61 CM) AND NOT MORE THAT 30" (76,2 CM) ABOVE THE COOKING SURFACE.

HOUSEHOLD USE. PLEASE, READ INSTALLATION MANUAL FOR SPECIFIC APPLICATION.

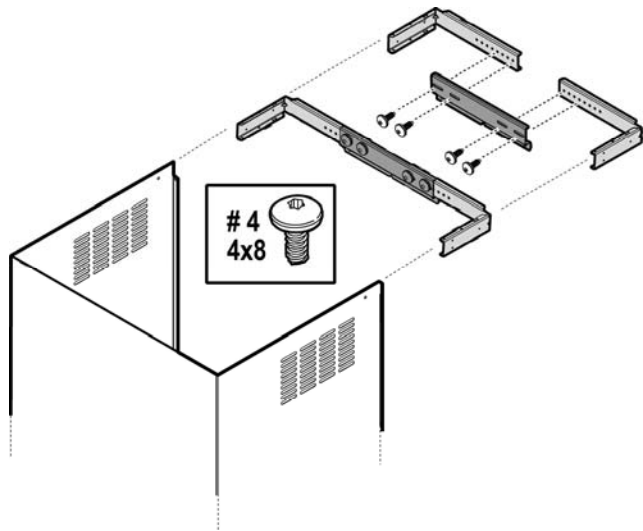
Check your ceiling height and the hood height maximum before you select your hood.

Installation

Preparation of the hood for installation:

Assembling the duct cover support bracket (3 parts):

The three parts should be fixed with 4 screws, the support extension is adjustable and should correspond to the internal width of the upper duct cover.

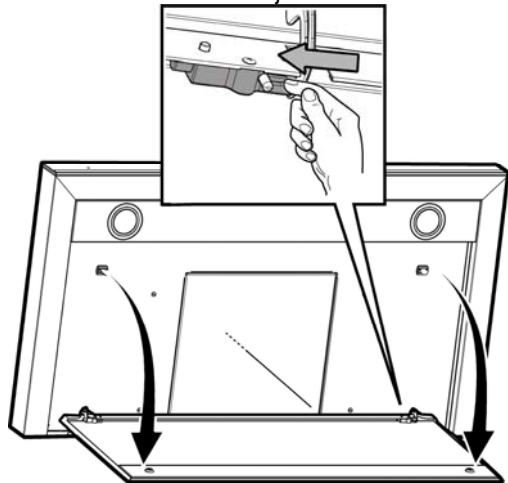


To facilitate the installation it is recommended to remove the panel before installing the hood.

Attention! Keep both hands on the panel when disassembling or reassembling it into place to prevent it from falling and causing damage to persons or property.

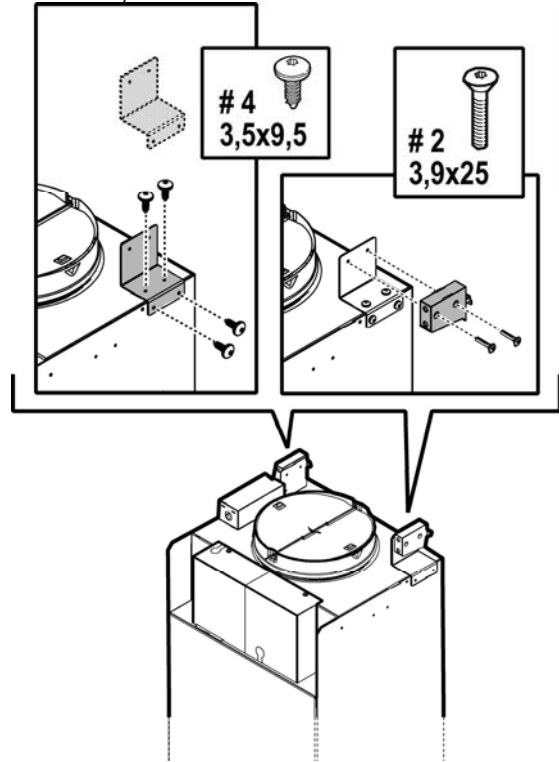
Disassembly:

- Pull the panel (FRONT SIDE) firmly down,
- Push the small lever, located in the right side of the panel, to the left,
- Unhook it from the rear joints.



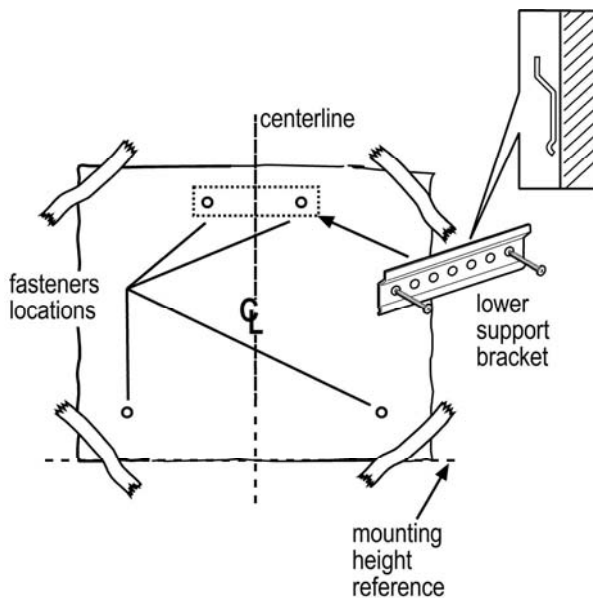
Assembling the hood's hooks:

- Attach two brackets (one per side) to the upper side of the motor housing using 8 screws (4 per bracket).
- Attach 2 hooks (one on each side) using 4 screws (2 on each hook).



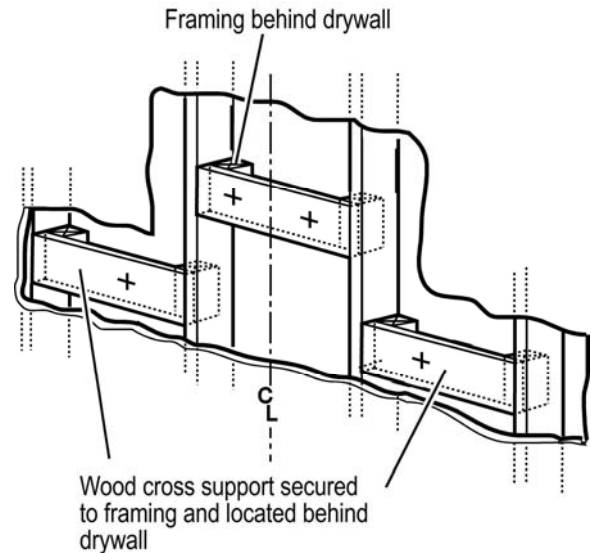
Installation - Ducting version

1. If possible, disconnect and move freestanding or slide-in range from cabinet opening to provide easier access to rear wall. Otherwise put a thick, protective covering over countertop, cooktop or range to protect from damage and debris. Select a flat surface for assembling the unit. Cover that surface with a protective covering and place all canopy hood parts and hardware in it.
2. Determine and mark the centerline on the wall where the canopy hood will be installed.
3. Select a mounting height comfortable for the user and mark on wall.
4. Tape template, matching center-line and hood bottom as shown in Figure below.
5. Place the lower support bracket on the template making it coincide with the outlined rectangle, mark center of two fastener location and one lower fastener location then remove template.



6. Mark wall with horizontal line 1" above highest and 1" below lowest fastener location.
7. Find studs behind drywall by tapping wall or using a stud finder. Mark the center of the studs with a vertical line to the right and left of the marked fastener location.

8. **Note:** All fastener location must span the studs otherwise proceed as follows:
Cutout drywall along marked lines. Install wood blocking between studs and make sure it is flush with existing stud front. Make sure all mounting screws will anchor to added studs. Replace drywall and refinish.



9. Determine and make all necessary cuts in the wall for the vent system. Install the vent system before the canopy hood. See „Venting methods“ and „Dimensions and clearance“ paragraphs.
10. Determine the required height for the conduit and cut a 1-1/4" (3.2 cm) hole at this location. Run wires through hole according the National Electrical Code or CSA Standards and local codes and ordinances.

There must be enough power supply cable from the fused disconnect (Or circuit breaker) box to make the connection in the hood's Junction box/es.

Use caulking to seal all openings.

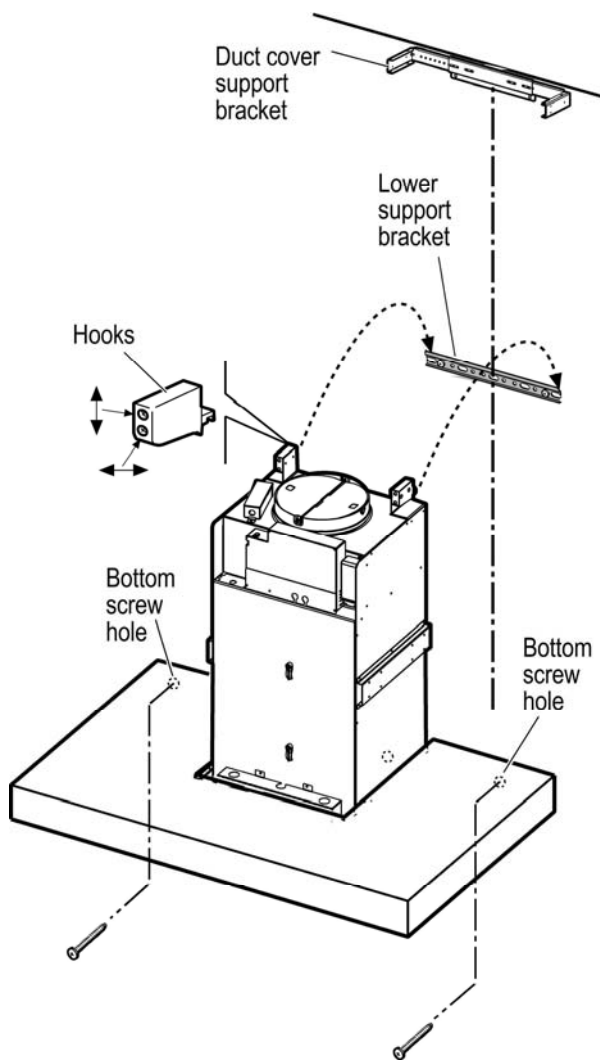
Do Not turn on power until installation is completed.

11. Remark center line and hood bottom on same location as before and tape template on wall as in step 4 above.

12. Mount the lower support bracket with wood screws (Supplied in mounting hardware kit) on locations marked on template, then remove template.
13. Install duct cover support bracket to wall flush to ceiling with drywall anchors supplied (the duct cover support bracket should be installed about 1/8" (3mm) away from the ceiling).
14. Hang hood with the 2 mounting hooks.

WARNING
Excessive Weight Hazard - Use two or more people to move and install range hood. Failure to do so can result in back or other injury.

15. Level the appliance, using a carpenters level across bottom of hood with leveling screws in mounting hooks.
16. Secure hood with 2 screws on bottom.



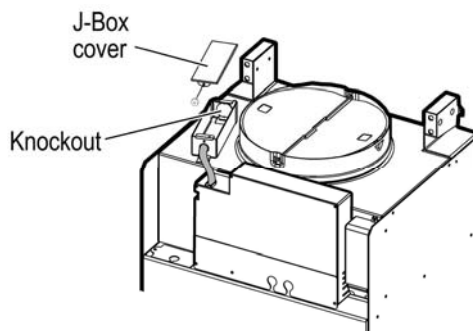
17. Connect ducting to transition. Seal with duct tape. **Do not use duct smaller than the transition.**

18. Electrical connection

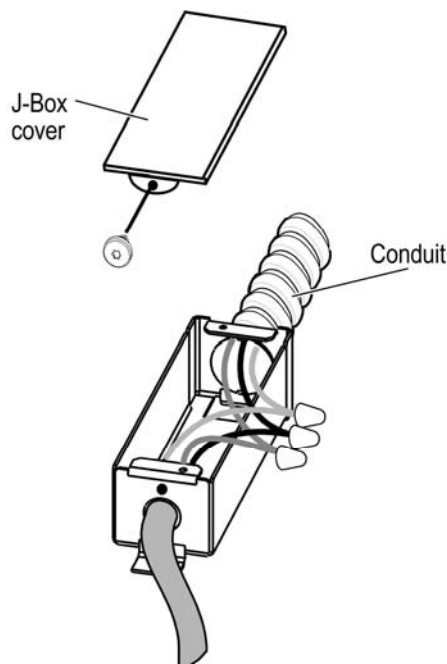
WARNING
Electrical Shock Hazard
Warning: Turn off power circuit at the service panel before wiring this unit.
120 VAC, 15 or 20 Amp circuit required.

ELECTRICAL GROUNDING INSTRUCTIONS
 THIS APPLIANCE IS FITTED WITH AN ELECTRICAL JUNCTION BOX WITH 3 WIRES, ONE OF WHICH (GREEN/YELLOW) SERVES TO GROUND THE APPLIANCE. TO PROTECT YOU AGAINST ELECTRIC SHOCK, THE GREEN AND YELLOW WIRE MUST BE CONNECTED TO THE GROUNDING WIRE IN YOUR HOME ELECTRICAL SYSTEM, AND IT MUST UNDER NO CIRCUMSTANCES BE CUT OR REMOVED.
Failure to do so can result in death or electrical shock.

Remove the knockout and the Junction box cover and install the conduit connector (cULus listed) in junction box.



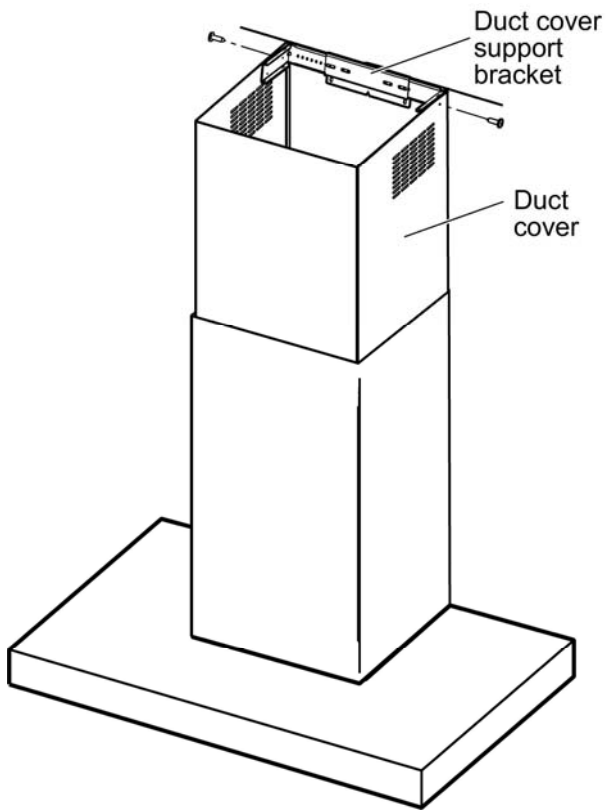
Run 3 wires; black, white and green, according to the National Electrical Code and local codes and ordinances, in 1/2" conduit from service panel to junction box.



Connect black wire from service panel to black or red in junction box, white to white and green to green-yellow.

Close and secure junction box cover.

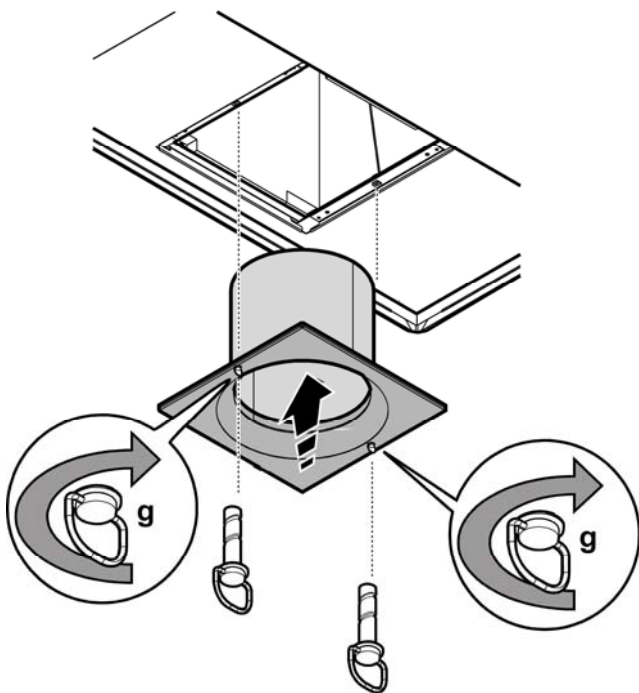
- 19. Position the duct cover.**
Fix the duct cover to the duct cover support bracket using 2 screws.



If range hood does not operate:

- Check that the circuit breaker is not tripped or the house fuse blown.
- Disconnect power supply. Check that wiring is correct.

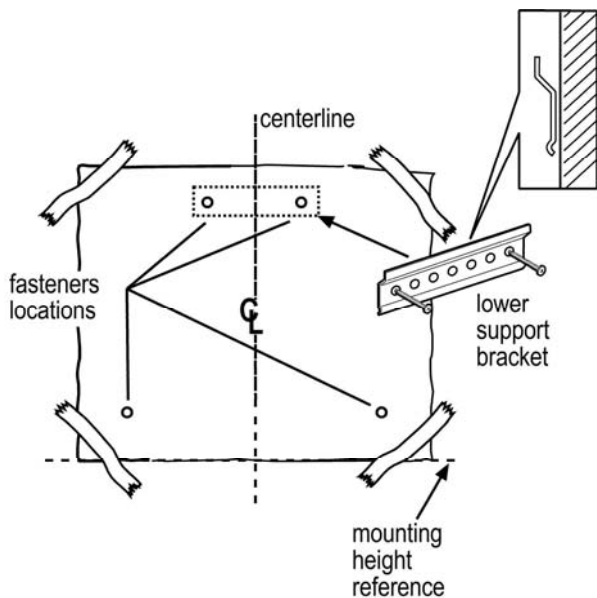
- 20. Install grease filter assembly.**



- 21. Reinstall the panel.**
22. Check all light bulbs to make sure they are secure in their sockets.
Turn power (On) in service panel.
Check lights and blower operation.

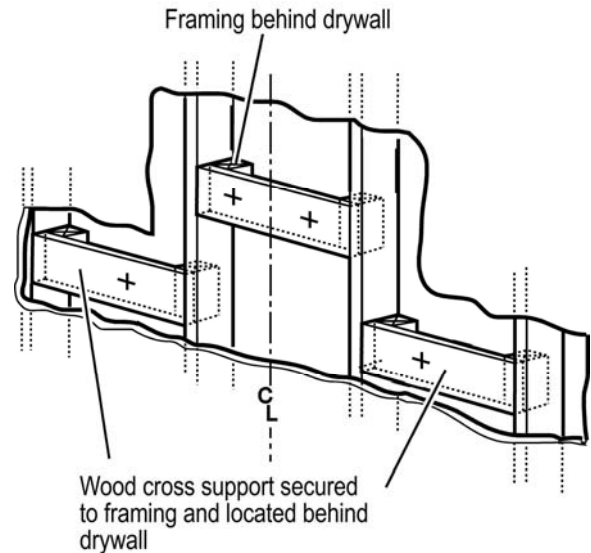
Installation - Ductless (Recirculating) version

1. If possible, disconnect and move freestanding or slide-in range from cabinet opening to provide easier access to rear wall. Otherwise put a thick, protective covering over countertop, cooktop or range to protect from damage and debris. Select a flat surface for assembling the unit. Cover that surface with a protective covering and place all canopy hood parts and hardware in it.
2. Determine and mark the centerline on the wall where the canopy hood will be installed.
3. Select a mounting height comfortable for the user and mark on wall.
4. Tape template, matching center-line and hood bottom as shown in Figure below.
5. Place the lower support bracket on the template making it coincide with the outlined rectangle, mark center of two fastener location and one lower fastener location then remove template.



6. Mark wall with horizontal line 1" above highest and 1" below lowest fastener location.
7. Find studs behind drywall by tapping wall or using a stud finder. Mark the center of the studs with a vertical line to the right and left of the marked fastener location.

8. **Note:** All fastener location must span the studs otherwise proceed as follows:
Cutout drywall along marked lines. Install wood blocking between studs and make sure it is flush with existing stud front. Make sure all mounting screws will anchor to added studs. Replace drywall and refinish.



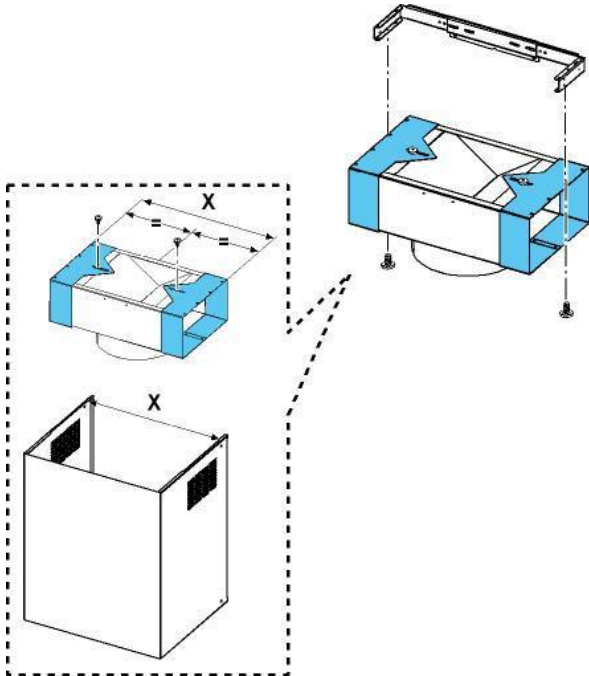
9. Determine the required height for the conduit and cut a 1-1/4" (3.2 cm) hole at this location. Run wires through hole according to the National Electrical Code or CSA Standards and local codes and ordinances.

There must be enough power supply cable from the fused disconnect (Or circuit breaker) box to make the connection in the hood's Junction box/es.

Use caulking to seal all openings.
Do Not turn on power until installation is completed.

10. Remark center line and hood bottom on same location as before and tape template on wall as in step 4 above.

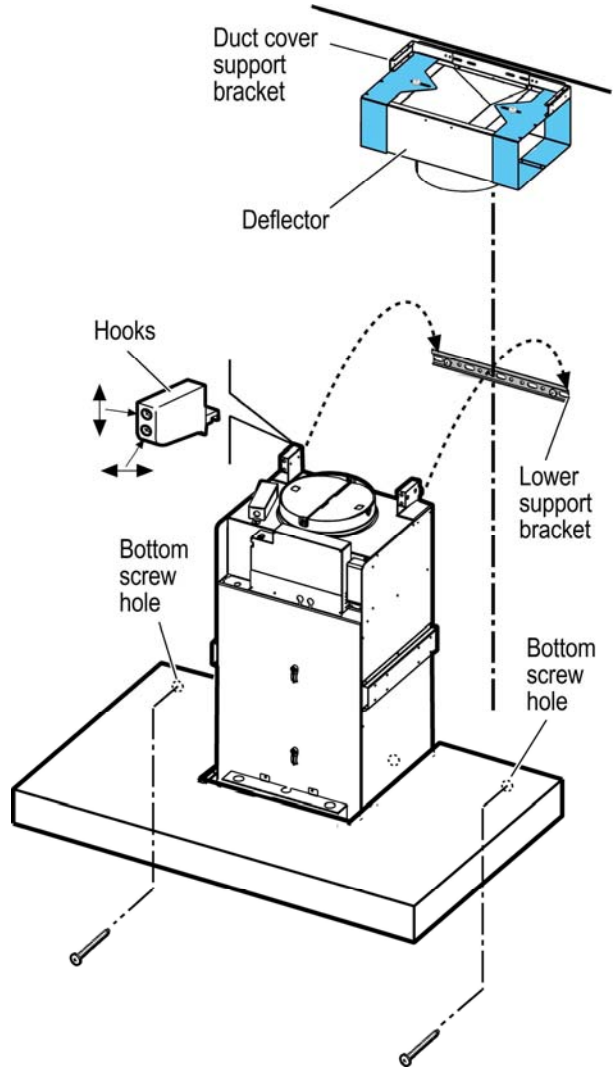
11. Mount the lower support bracket with wood screws (Supplied in mounting hardware kit) on locations marked on template, then remove template.
12. Install duct cover support bracket to wall flush to ceiling with drywall anchors supplied (the duct cover support bracket should be installed about 1/8" (3mm) away from the ceiling).
13. Install the deflector (Available as an extra kit) under the duct cover support bracket.



14. Hang hood with the 2 mounting hooks.

WARNING
Excessive Weight Hazard - Use two or more people to move and install range hood. Failure to do so can result in back or other injury.

15. Level the appliance, using a carpenters level across bottom of hood with leveling screws in mounting hooks.
16. Secure hood with 2 screws on bottom.



17. Connect ducting to transition. Seal with duct tape. **Do not use duct smaller than the transition.** Provide and install a duct to connect hood transition to deflector (The deflector is available as an extra kit).

18. Electrical connection

WARNING

Electrical Shock Hazard

Warning: Turn off power circuit at the service panel before wiring this unit.

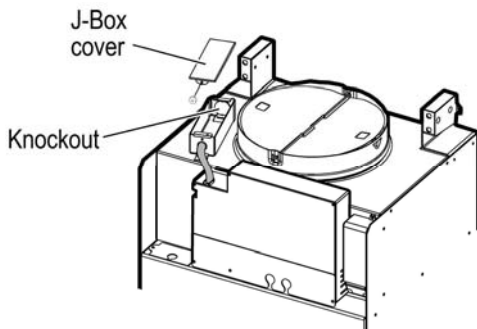
120 VAC, 15 or 20 Amp circuit required.

ELECTRICAL GROUNDING INSTRUCTIONS

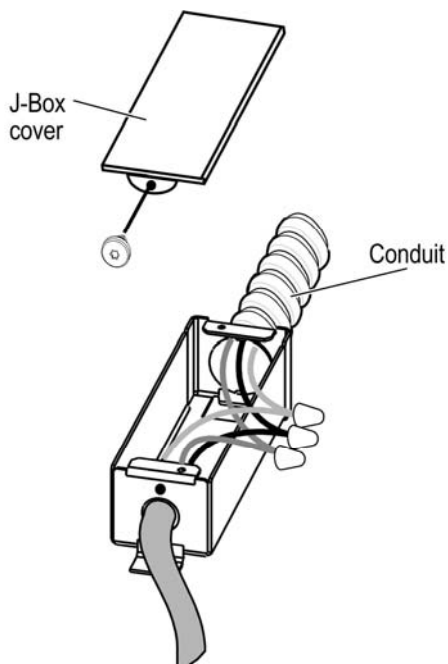
THIS APPLIANCE IS FITTED WITH AN ELECTRICAL JUNCTION BOX WITH 3 WIRES, ONE OF WHICH (GREEN/YELLOW) SERVES TO GROUND THE APPLIANCE. TO PROTECT YOU AGAINST ELECTRIC SHOCK, THE GREEN AND YELLOW WIRE MUST BE CONNECTED TO THE GROUNDING WIRE IN YOUR HOME ELECTRICAL SYSTEM, AND IT MUST UNDER NO CIRCUMSTANCES BE CUT OR REMOVED.

Failure to do so can result in death or electrical shock.

Remove the knockout and the Junction box cover and install the conduit connector (cULus listed) in junction box.



Run 3 wires; black, white and green, according to the National Electrical Code and local codes and ordinances, in 1/2" conduit from service panel to junction box.

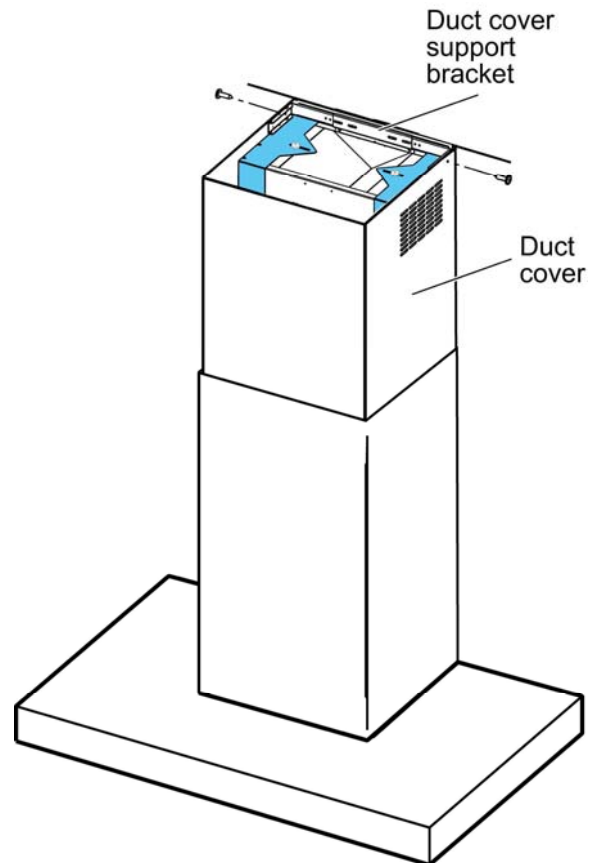


Connect black wire from service panel to black or red in junction box, white to white and green to green-yellow.

Close and secure junction box cover.

19. Position the flue.

Fix the flue to the flue support bracket G using 2 screws.



20. Reinstall the panel.

21. Check all light bulbs to make sure they are secure in their sockets.

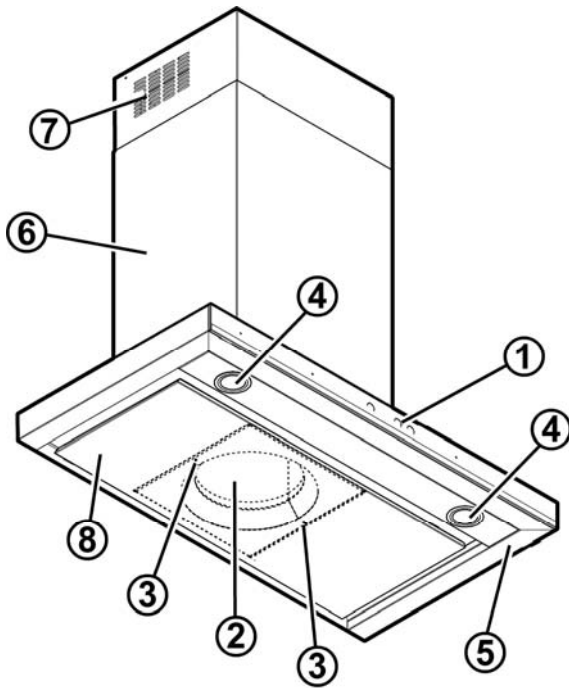
Turn power (On) in service panel.

Check lights and blower operation.

If range hood does not operate:

- Check that the circuit breaker is not tripped or the house fuse blown.
- Disconnect power supply. Check that wiring is correct.

Description of the hood & Controls



- 1 Control panel
- 2 Grease filter (Behind the panel)
- 3 Grease filter release handle
- 4 Halogen lamp (Position and number of lamps may vary)
- 5 Hood canopy
- 6 Duct cover
- 7 Louver holes (Ductless configuration)
- 8 Panel

Controls

Use the high suction speed in cases of concentrated kitchen vapours. It is recommended that the cooker hood suction is switched on for 5 minutes prior to cooking and to leave in operation during cooking and for another 15 minutes approximately after terminating cooking.

Description of control panel

To select the functions of the hood just touch the commands.



Light key ON/OFF



Intensive speed selection key (suction power) - duration 5 minutes - press again to return to previous setting.



High-speed selection key (suction power).



Medium-speed selection key (suction power) - when flashing it indicates the need to wash or replace the carbon filter. This signal is normally deactivated. To activate the alarm, disable the electronic by pressing the **0** button for 3 seconds. Next, simultaneously press buttons **1** and **2** for 3 seconds; at first, only button **1** will flash, then both buttons **1** and **2** will flash to indicate activation. Repeat the procedure to deactivate the alarm; at first buttons **1** and **2** will flash and subsequently only button **1** to indicate deactivation.



Low-speed selection key (suction power) – when flashing it indicates the need to wash the fats filter.



Motor key OFF (stand by) – excludes the electronics – reset wash/replace filters signals.

MOTOR OFF

Press briefly to switch the motor off.

RESET FILTERS SIGNALS

In functioning mode, after carrying out filter maintenance, press the key until hearing the sound signal. The flashing LED **1** (grease filter) or **2** (carbon filter) stops flashing.

EXCLUDING THE ELECTRONICS

Press the key for 3 seconds. The hood command electronics will be excluded.

This function can be useful during the product cleaning operations.

Just repeat the operation to reinsert the electronics.

If the hood fails to operate correctly, briefly disconnect it from the mains power supply for almost 5 sec. by pulling out the plug. Then plug it in again and try once more before contacting the Technical Assistance Service.

User Servicing and Maintenance Instructions

ATTENTION! Before performing any maintenance operation, isolate the hood from the electrical supply by switching off at the connector and removing the connector fuse.

Or if the appliance has been connected through a plug and socket, then the plug must be removed from the socket.

Cleaning

The cooker hood should be cleaned regularly (at least with the same frequency with which you carry out maintenance of the fat filters) internally and externally. Clean using the cloth dampened with neutral liquid detergent. Do not use abrasive products. **DO NOT USE ALCOHOL!**

WARNING: Failure to carry out the basic cleaning recommendations of the cooker hood and replacement of the filters may cause fire risks.

Therefore, we recommend observing these instructions.

The manufacturer declines all responsibility for any damage to the motor or any fire damage linked to inappropriate maintenance or failure to observe the above safety recommendations.

Maintenance of the panel

Attention! Hold the panel with both hands when dismantling and re-mounting in position to avoid it falling and causing damage to people or things.

Dismantling:

1. pull out firmly (LOWER SIDE) and rotate upwards.
2. push to the left the small lever located on the right side of the panel.
3. unhook it from the back hinges.

Cleaning:

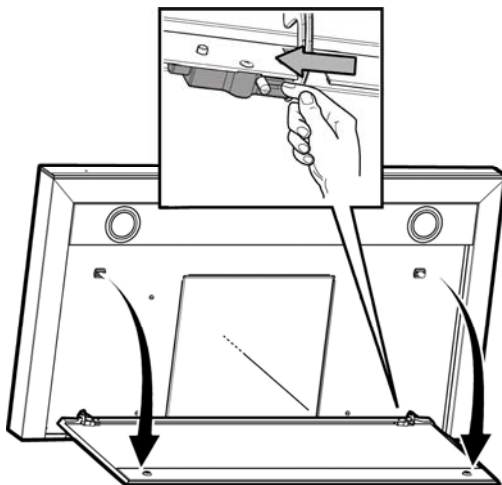
Clean the suction panel with the same frequency as the fats filter using a cloth soaked in neutral liquid detergents.

Avoid the use of products containing abrasives. **DO NOT USE ALCOHOLS.**

Montage:

The panel must be hooked at the back and fixed in front fitted into the pins for the purpose on the surface of the hood.

Attention! always check that the panel is well fixed in its place.

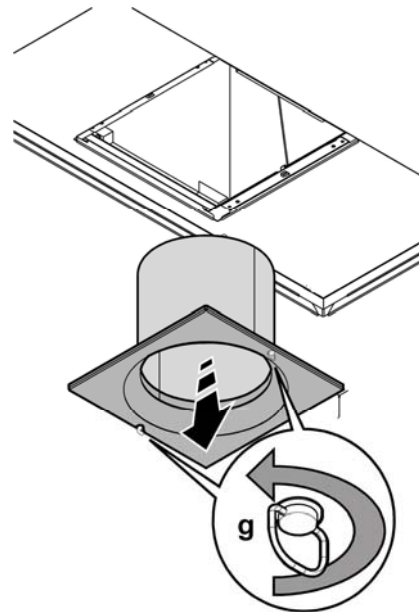


Grease Filter

Traps cooking grease particles.

The grease filter must be cleaned once a month using non aggressive detergents, either by hand or in the dishwasher, which must be set to a low temperature and a short cycle. When washed in a dishwasher, the grease filter may discolour slightly, but this does not affect its filtering capacity.

Remove the filter holder frame by turning the knobs (g) 90° that affix the chimney to the cooker hood.

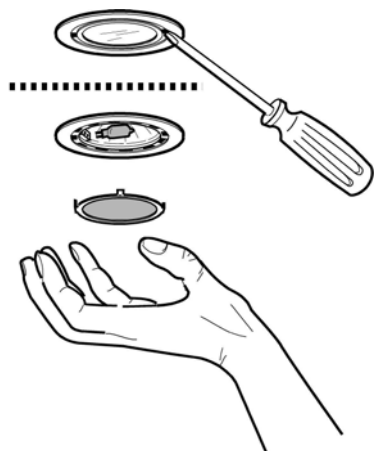


Replacing the light bulb

Disconnect the appliance from the electricity.

Warning! Prior to touching the light bulbs ensure they are cooled down.

Replace the old light bulb with the one of the same type as specified in the feature label or near the light lamp on the hood.



1. Using a flat head screwdriver or equivalent tool, carefully pry loose the light cover.
2. Remove the damaged light and replace with a new 12 Volt, 20 Watt (Maximum) halogen light made for a G-4 base SUITABLE FOR USE IN OPEN LUMINAIRES. Follow package directions and do not touch new light with bare hands.
3. Reinstall the light cover. (it will snap shut).
If the lights do not work, make sure that the lamps are fitted properly into their housings before you call for technical assistance.

Charcoal Filter

It absorbs unpleasant odours caused by cooking.

The charcoal filter can be washed once every two months (or when the filter saturation indication system – if envisaged on the model in possession – indicates this necessity) using hot water and a suitable detergent, or in a dishwasher at 65°C (if the dishwasher is used, select the full cycle function and leave dishes out).

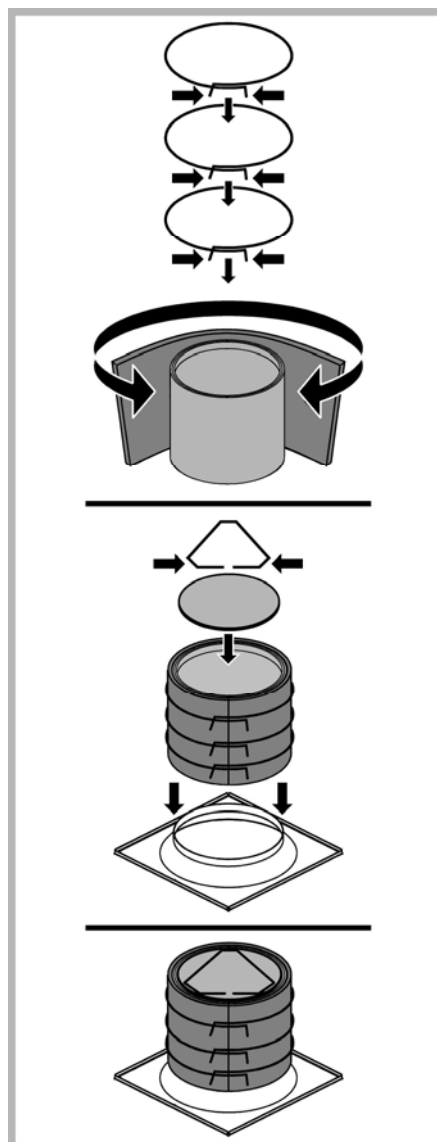
Eliminate excess water without damaging the filter, then put it in the oven for 10 minutes at 100° C to dry completely. Replace the mattress every 3 years and when the cloth is damaged.

Assembly

Place the mat around the grease filter and fix it in place using the devices provided.

Position the upper cap and fix it in place using the fixing pin.

To disassemble, perform the steps in the reverse order.



Warranty

ELICA North America **TWO-YEARS LIMITED WARRANTY**

TO OBTAIN SERVICE UNDER WARRANTY

Owner must present proof of original purchase date. Please keep a copy of your dated proof of purchase (sales slip) in order to obtain service under warranty.

PARTS AND SERVICE WARRANTY

For the period of two (2) years from the date of the original purchase, Elica will provide free of charge, non consumable parts or components that failed due to manufacturing defects. During these two (2) years limited warranty, Elica will also provide free of charge, all labor and in-home service to replace any defective parts.

WHAT IS NOT COVERED

- Damage or failure to the product caused by accident or act of God, such as, flood, fire or earthquake.
- Damage or failure caused by modification of the product or use of non-genuine parts.
- Damage or failure to the product caused during delivery, handling or installation.
- Damage or failure to the product caused by operator abuse.
- Damage or failure to the product caused by dwelling fuse replacement or resetting of circuit breakers.
- Damage or failure caused by use of product in a commercial application.
- Service trips to dwelling to provide use or installation guidance.
- Light bulbs, metal or carbon filters and any other consumable part.
- Normal wear of finish.
- Wear to finish due to operator abuse, improper maintenance, use of corrosive or abrasive cleaning products/pads and oven cleaner products.

WHO IS COVERED

This warranty is extended to the original purchaser for products purchased for ordinary residential use in North America (Including the United States, Guam, Puerto Rico, US Virgin Islands & Canada).

This warranty is non-transferable and applies only to the original purchaser and does not extend to subsequent owners of the product. This warranty is made expressly in lieu of all other warranties, expressed or implied, including, but not limited to any implied warranty of merchantability or fitness for a particular purpose and all other obligations on the part of Elica North America, provided, however, that if the disclaimer of implied warranties is ineffective under applicable law, the duration of any implied warranty arising by operation of law shall be limited to two (2) years from the date of original purchase at retail or such longer period as may be required by applicable law.

This warranty does not cover any special, incidental and/or consequential damages, nor loss of profits, suffered by the original purchaser, its customers and/or the users of the Products.

WHO TO CONTACT

To obtain Service under Warranty or for any Service Related Question Please Call:

- Elica North America Authorized Service at (888) 732-8018
Or by Writing To:
- Elica North America, Attention Customer Service
6658 156th Avenue SE,
Bellevue, WA 98006 USA
infoamericas@elica.com

French

Sommaire

Avis de sécurité important	21
Exigences électriques et exigences d'installation	22
Exigences électriques	22
Avant d'installer la hotte.....	22
Liste des pièces	23
Pièces fournies	23
Pièces non fournies	23
Dimensions et Dégagement	24
Exemples et possibilités de positionnement des conduits	25
Méthodes de ventilation	25
Préparation	25
Installation	26
Préparation de la hotte pour l'installation:	26
Installation - Version à conduit.....	27
Installation - Version sans conduit (Recyclage).....	30
Description de la hotte et des commandes	33
Commandes.....	33
Instructions pour l'entretien, utilisateur et la maintenance	34
Nettoyage.....	34
Filtre à graisse	34
Remplacement des ampoules	35
Filtres à charbon	35
Garantie	36

**APPROUVÉ POUR LES APPAREILS DE TYPE RÉSIDENTIEL
POUR UNE UTILISATION RÉSIDENTIELLE SEULEMENT
LISEZ CES INSTRUCTIONS ET CONSERVEZ-LES**

VEUILLEZ LIRE CES INSTRUCTIONS AU COMPLET AVANT DE COMMENCER.

L'INSTALLATION DE L'APPAREIL DOIT RESPECTER TOUS LES CODES EN VIGUEUR.

IMPORTANT : Conservez ces instructions afin de pouvoir les remettre à l'inspecteur-électricien de votre région.

INSTALLATEUR : Veuillez laisser ces instructions avec l'appareil pour le propriétaire.

PROPRIÉTAIRE : Veuillez conserver ces instructions pour pouvoir vous y référer plus tard.

Avertissement de sécurité : Coupez l'alimentation du circuit dans le panneau électrique et verrouillez le panneau avant de raccorder les fils de cet appareil.

Exigence : 120 V c.a., 60 Hz circuit de dérivation de 15 V c.a., 20 Hz, de 15 ou 20 A.

LISEZ CES INSTRUCTIONS ET CONSERVEZ-LES

Avis de sécurité important

ATTENTION

UTILISER CET APPAREIL À DES FINS DE VENTILATION GÉNÉRALE SEULEMENT. **NE PAS UTILISER CET APPAREIL POUR ÉVACUER DES MATÉRIAUX OU DES VAPEURS DANGEREUX OU EXPLOSIFS.**

AVERTISSEMENT

POUR RÉDUIRE LES RISQUES D'INCENDIE, DE CHOC ÉLECTRIQUE ET DE BLESSURE, RESPECTER LES DIRECTIVES SUIVANTES :

- A. Utiliser cet appareil uniquement aux fins prévues par le fabricant. Si vous avez des questions à propos de l'appareil, communiquez avec le fabricant.
- B. Avant de faire l'entretien de l'appareil ou de le nettoyer, coupez l'alimentation dans le panneau électrique et verrouillez le panneau en bloquant le dispositif permettant d'empêcher d'activer l'alimentation accidentellement. S'il n'est pas possible de verrouiller l'accès au panneau, fixez une étiquette très voyante au panneau électrique.
- C. Une personne qualifiée doit effectuer l'installation et le câblage des fils électriques en conformité avec tous les codes et toutes les normes, y compris la cote de résistance au feu.
- D. Il est important de prévoir suffisamment d'air pour assurer une bonne combustion de l'équipement de chauffe et l'évacuation adéquates des gaz par le conduit de cheminé afin de prévenir les refoulements d'air. Respectez les directives et les normes de sécurité des fabricants de l'équipement de chauffage, comme celles publiées par la National Fire Protection Association (NFPA), la American Society for Heating, Refrigeration and Air Conditioning Engineers (ASHRAE) et le code des autorités de votre région.
- E. Au moment de couper ou de percer un mur ou un plafond, assurez-vous de ne pas endommager la filerie électrique ou tout autre accès à un service publique.
- F. Il faut toujours évacuer à l'extérieur les systèmes à conduit.

ATTENTION

Pour réduire les risques d'incendie et évacuer l'air correctement, assurez-vous que le conduit mène à l'extérieur; il ne faut pas évacuer l'air dans l'espace entre les murs, dans les plafonds, dans les greniers, les vides sanitaires ou les garages.

AVERTISSEMENT

POUR RÉDUIRE DES RISQUES D'INCENDIE, UTILISEZ UNIQUEMENT DES CONDUITS EN MÉTAL.

Installez cette hotte en respectant toutes les exigences mentionnées.

AVERTISSEMENT

Pour réduire les risques d'incendie et de choc électrique, n'utilisez pas cette hotte avec un contrôleur de vitesse à semi-conducteurs.

AVERTISSEMENT

POUR RÉDUIRE LES RISQUES D'INCENDIE DE GRAISSE SUR LES CUISINIÈRES.

- a) Ne laissez jamais la cuisinière sans surveillance lorsqu'elle est réglée à une haute température. Les débordements par bouillonnement causent de la fumée et des débordements de gras qui peuvent s'enflammer. Faites chauffer l'huile lentement, à une température

basse ou moyenne.

- b) Faites toujours fonctionner la hotte lorsque vous utilisez la cuisinière à une haute température ou que vous faites flamber des aliments (P. ex. : crêpes Suzette, cerises jubilé, bœuf au poivre flambé).
- c) Nettoyez les hélices de ventilation fréquemment. Il ne faut pas que la graisse s'accumule sur les filtres ou les hélices.
- d) Utilisez le bon format de casserole. Utilisez toujours un chaudron de taille approprié à l'élément de la cuisinière.

AVERTISSEMENT

POUR ÉVITER DE BLESSER QUELQU'UN LORS D'UN INCENDIE DE GRAISSE SUR LA CUISINIÈRE, SUIVRE LES CONSEILS SUIVANTS^a:

- a) **ÉTOUFFER LES FLAMMES** avec un couvercle aux dimensions de la tôle de cuisson, une tôle à biscuit ou tout autre plateau métallique, puis couper le gaz ou l'alimentation électrique de la cuisinière. **FAIRE ATTENTION A NE PAS SE BRÛLER.** Si les flammes ne s'éteignent pas immédiatement, **QUITTER LA PIÈCE ET APPELER LES POMPIERS.**
- b) **NE JAMAIS PRENDRE EN MAIN UNE CASSEROLE EN FEU**, vous pourriez vous blesser.
- c) **NE PAS UTILISER D'EAU**, y compris les essuies de vaisselle ou les serviettes humides – une violente explosion due à la vapeur formée pourrait survenir.
- d) Utiliser un extincteur **SEULEMENT** si:
 - 1) Vous êtes sûr d'avoir un extincteur de classe ABC que vous savez utiliser.
 - 2) Le feu est petit et confiné à la zone où il s'est formé.
 - 3) Les pompiers ont été appelés.
 - 4) Vous pouvez lutter contre le feu avec une sortie derrière vous.

^a Recommandations tirées des conseils de sécurité en cas d'incendie de cuisine publiés par la NFPA.

MODE OPÉRATEIRE

- a. Toujours laisser les grilles de sécurité et les filtres à leur place. Sans la présence de ces derniers, les parties aspirantes pourraient attirer les cheveux, les doigts ou les vêtements.

Le fabricant décline toute responsabilité si les informations détaillées dans ce manuel pour l'installation, l'entretien et l'utilisation adéquate du produit ne sont pas observées. Le fabricant décline en outre toute responsabilité pour d'éventuelles blessures dues à des négligences; en outre, la garantie de l'appareil sera annulée suite à des conditions d'entretien inappropriées. Cet appareil est fabriqué pour un usage interne. Ne pas utiliser cet appareil à l'extérieur.

Exigences électriques et exigences d'installation

Exigences électriques

IMPORTANT

Respectez tous les codes et les ordonnances en vigueur.

Le client a la responsabilité de :

Contactez un électricien-installateur.

Vérifier que l'installation électrique est adéquate et conforme avec le Code national de l'électricité, ANSI/NFPA 70 (la plus récente édition*), ou les normes C22.1-94, Code canadien de l'électricité, Partie 1 et C22.2 No.0-M91 (La plus récente édition**) de la CSA, ainsi que tous les codes et les ordonnances de votre région.

Si le code le permet et que vous utilisez un fil de mise à la terre distinct, il est recommandé de faire vérifier le chemin du fil par un électricien.

Ne pas mettre l'appareil à la terre sur une conduite de gaz. Consultez un électricien qualifié si vous n'êtes pas certain que la hotte est mise à la terre correctement. N'installez pas un fusible dans le circuit neutre ou le circuit de mise à la terre.

IMPORTANT

Conservez ces instructions afin de pouvoir les remettre à l'inspecteur-électricien.

La hotte doit être câblée uniquement à l'aide de fils de cuivre.

Il faut raccorder la hotte directement à une boîte à fusible ou à un disjoncteur par l'entremise d'une canalisation électrique en métal.

Le calibre de fil doit être conforme aux exigences du Code national de l'électricité, ANSI/NFPA 70 (La plus récente édition*), ou les normes C22.1-94, Code canadien de l'électricité, Partie 1 et C22.2 0-M91 (La plus récente édition**) de la CSA, ainsi que tous les codes et les ordonnances de votre région.

Il faut prévoir un connecteur de canalisation approuvé par l'UL ou la CSA à chaque extrémité de la canalisation d'alimentation (À la hotte et à la boîte de jonction).

Vous pouvez obtenir un exemplaire des normes indiquées en vous adressant à :

* La National Fire Protection Association, Batterymarch Park
Quincy, Massachusetts, 02269

** La CSA International, 8501 East Pleasant Valley Road,
Cleveland, Ohio, 44131-5575

Avant d'installer la hotte

1. Pour assurer la ventilation la plus efficace possible, installez la conduite en ligne droite ou avec le moins de coudes possibles.
ATTENTION : La sortie de la conduite de ventilation doit donner sur l'extérieur.
2. Deux personnes sont nécessaires pour effectuer l'installation. Porter des gants pour se protéger des bords coupants.
3. La quincaillerie fournie permet de fixer la hotte à la plupart des murs et des plafonds; consultez un installateur qualifié pour vous assurer que la quincaillerie fournie est adaptée à votre type de mur ou d'armoire.
4. N'utilisez pas de conduit flexible.
5. Dans le cas des endroits sujets aux TEMPÉRATURES FROIDES, il faut installer un clapet de contre-tirage supplémentaire afin de minimiser le retour d'air froid et un isolant thermique non métallique afin de minimiser la conduction de la température extérieure dans le conduit. Il faut placer le clapet du côté de l'air froid de l'isolant thermique. L'isolant doit être placé le plus près possible de l'endroit où le conduit entre dans la partie chauffée de la maison.
6. Air d'appoint : Le code du bâtiment de votre région peut exiger l'utilisation d'un système d'air d'appoint si vous utilisez un système de ventilation à conduit dont le mouvement d'air dépasse un certain nombre de CFM. Le nombre de pi³/min varie d'une région à l'autre. Consultez un professionnel de CVC pour connaître les exigences précises de votre région.

Liste des pièces

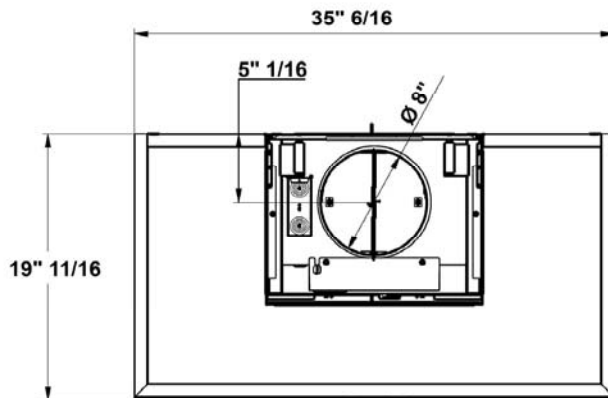
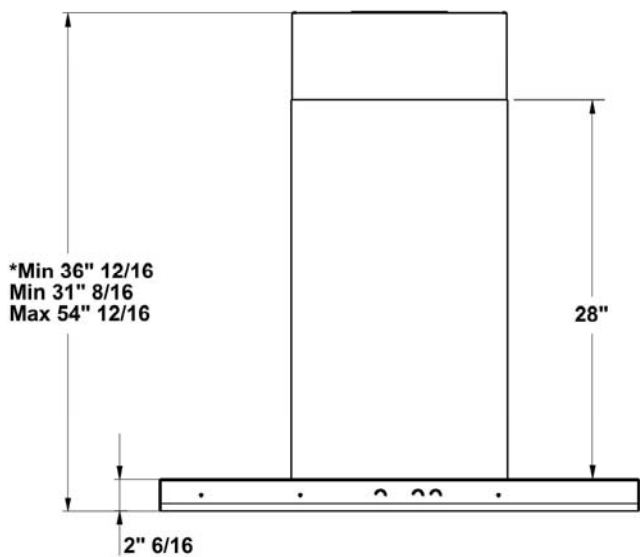
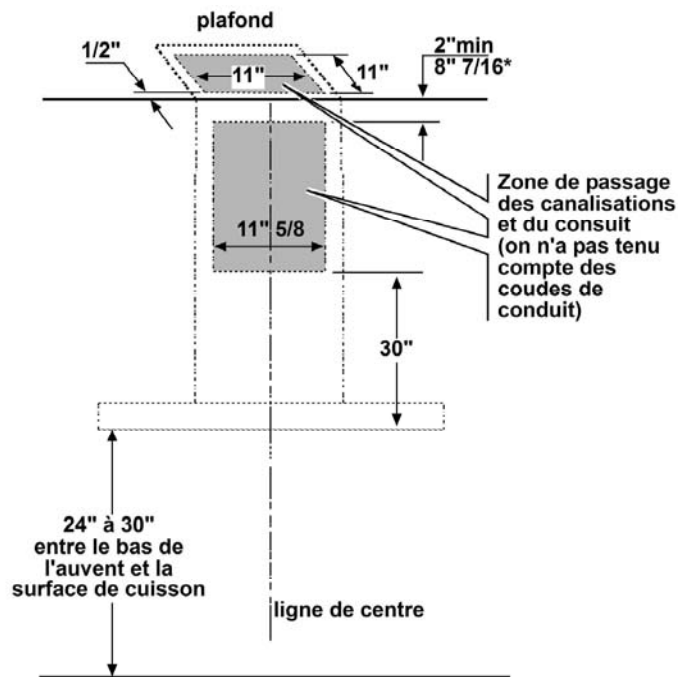
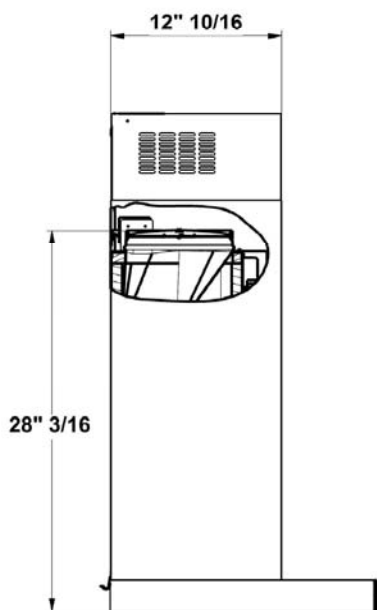
Pièces fournies

- Chapeau de hotte, lampes et moteur déjà assemblés.
- Couvercles de conduit
- Ensemble filtre à graisse + systèmes de fixation.
Déflecteur (version sans conduit- 3 pièces à assembler)
- Paquet de quincaillerie :
Clé Allen x 1
Modèle
Guide d'utilisation, d'entretien et d'installation
Crochet x 2
Étrier de support crochet x 2
Support de soutien des couvercles de conduit (3 pièces à assembler)
Support de soutien inférieur
14 vis 3,5x9,5
4 vis 4x8 (pour assembler le support de soutien des couvercles de conduit)
4 vis 3,9x25 (pour assembler les crochets aux étriers de support)
2 vis 2,9x6,5 (pour fixer les couvercles de conduit)
6 vis 5 x 45 (pour la fixation générale au mur arrière)

Pièces non fournies

- Conduit, canalisation et tous les outils nécessaires à l'installation.
- **Trousse de conversion en hotte à recyclage** à utiliser seulement avec la **version sans conduit (À recyclage)**
comprend : filtre au charbon et dispositifs de fixation.

Dimensions et Dégagement



* Version de hotte à recyclage SEULEMENT

Exemples et possibilités de positionnement des conduits

Suivez à la lettre les directives présentées dans ce manuel.

Le fabricant refuse toute responsabilité en ce qui a trait à tout préjudice, dommage ou incendie causé par la non observation des directives contenues dans le présent manuel.

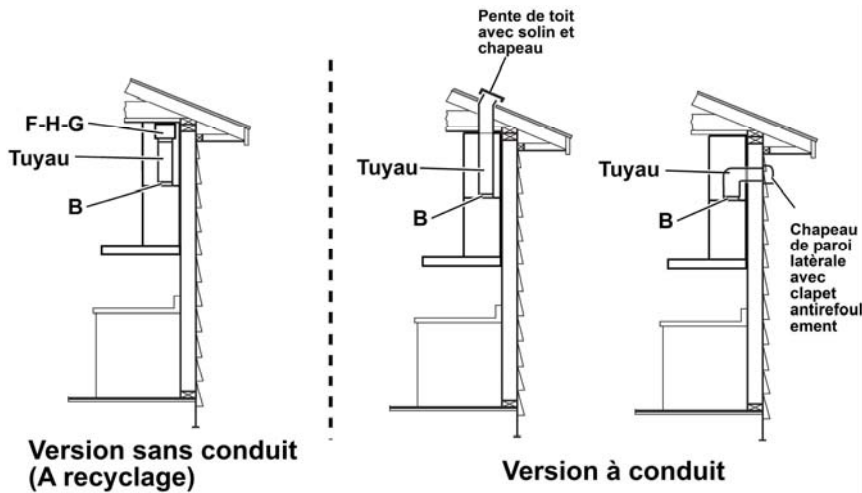
Méthodes de ventilation

La hotte est dotée d'une **transition B** afin d'évacuer les vapeurs à l'extérieur (**version à conduit**).

S'il s'avère impossible d'évacuer la fumée et les vapeurs de cuisson à l'extérieur, il est possible de transformer la hotte en version **sans conduit (Recyclage)**. Fixer un filtre au charbon et le déflecteur **F** sur le **support de couvercle de conduit G**. La fumée et la vapeur sont recyclées par la **grille supérieure H** par l'entremise d'un conduit raccordé à la transition **B** et à la transition montée sur le déflecteur **F**.

NOTE : dans le cas de la version sans conduit (À recyclage) seulement : procurez-vous la trousse de conversion en hotte à recyclage.

Diamètre minimum des conduit (Version avec ou sans conduit) : tuyau rond de 8 po.



Préparation

Ne coupez pas une solive ou un montant à moins qu'il soit absolument nécessaire de le faire. Si vous devez couper une solive ou un montant, vous devez construire un cadre de soutien.

La quincaillerie fournie permet de fixer la hotte à la plupart des murs et des plafonds.

Vous devez cependant demander à un technicien qualifié de vérifier la solidité des matériaux selon le type de mur ou de plafond.

Avant de couper, assurez-vous qu'il y a un dégagement suffisant dans le plafond ou le mur pour passer la conduite de sortie.

Vous pouvez déterminer vous-même la hauteur à laquelle vous installez la hotte au dessus de la cuisinière. Plus la hotte est près de la cuisinière, plus elle est efficace à capter les odeurs de cuisson, la graisse et la fumée.

ATTENTION: POUR L'INSTALLATION DES CUISINIÈRES À GAZ: METTEZ LA HOTTE AFIN D'AVOIR ENTRE LE BORD INFÉRIEUR DE LA HOTTE ET LE PLAN DE CUISSON UNE DISTANCE DE 30" (76,2 CM).

POUR DES CUISINIÈRES ÉLECTRIQUES: LA DISTANCE ENTRE LE BORD INFÉRIEUR DE LA HOTTE ET LE PLAN DE CUISSON NE DÔIT PAS ÊTRE INFÉRIEURE DE 24" (61 CM) ET SUPÉRIEURE DE 30" (76,2 CM).

EMPLOI DOMESTIQUE. LIRE ATTENTIVEMENT LE LIVRET INSTRUCTIONS POUR DES APPLICATIONS SPÉCIFIQUES.

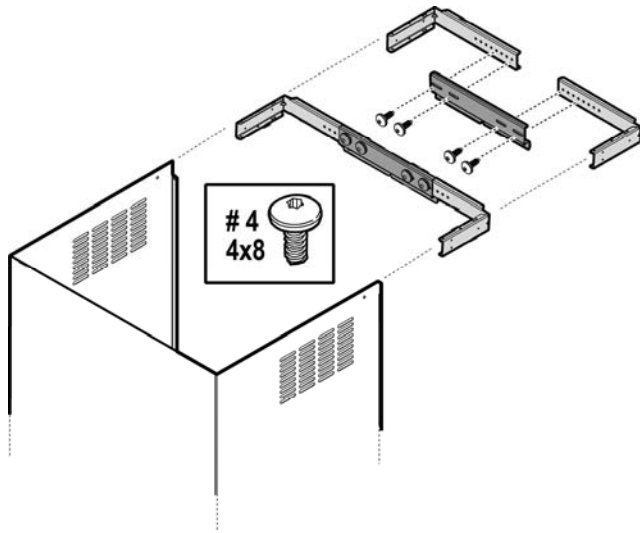
Vérifiez donc la hauteur de votre plafond et la hauteur maximum de la hotte avant de choisir votre modèle de hotte.

Installation

Préparation de la hotte pour l'installation:

Assemblage du support de soutien des couvercles de conduit (3 pièces à assembler):

Fixez les trois pièces à l'aide des quatre vis; l'extension de support est ajustable et sa longueur doit correspondre à la largeur interne du couvercle de conduit supérieur.

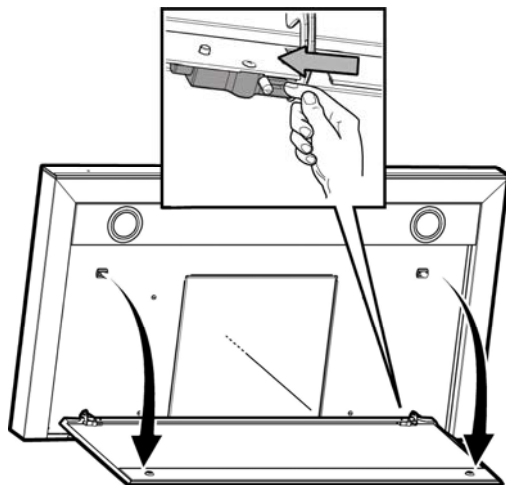


Pour faciliter l'installation, il est conseillé d'enlever le panneau avant d'installer la hotte.

Attention! Tenir le panneau avec les deux mains quand vous l'enlevez ou le replacez en position pour éviter qu'il ne tombe et ne cause des dommages aux personnes ou aux choses.

Démontage :

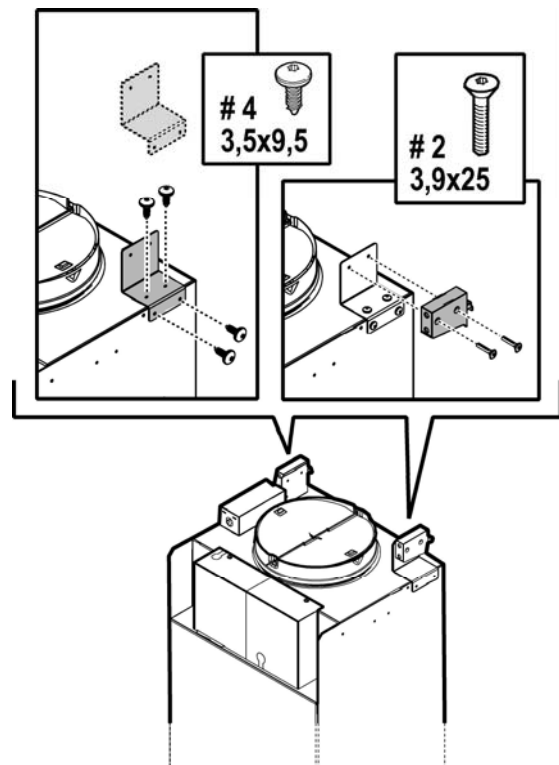
- tirer le panneau (COTE ANTERIEUR) fermement vers le bas,
- pousser vers la gauche le petit levier se trouvant dans la partie droite du panneau,
- le décrocher des charnières postérieures.



Assemblage des crochets de la hotte:

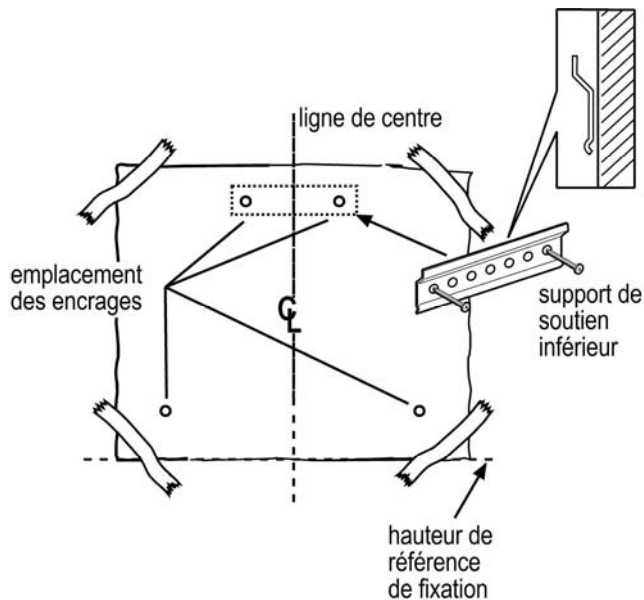
a. Fixer 2 étriers (un par côté) sur le côté supérieur du caisson moteur à l'aide de 8 vis (4 par étrier).

b. Fixer les 2 crochets (un par côté) à l'aide des 4 vis (2 par crochet).



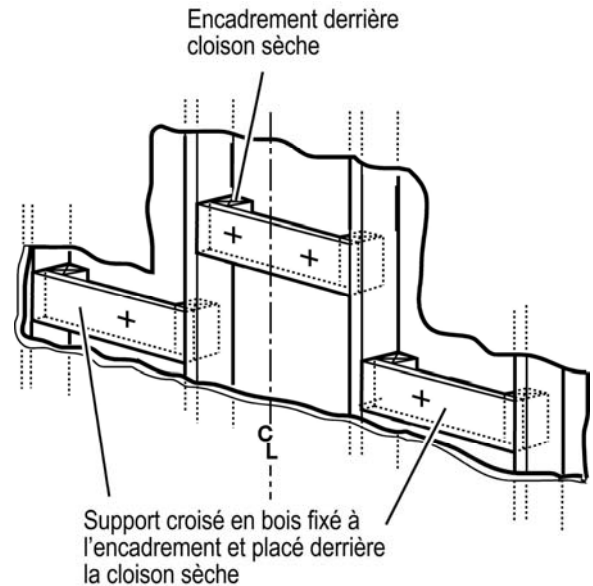
Installation - Version à conduit

1. Si possible, débranchez la cuisinière et déplacez-la afin d'avoir un meilleur accès au mur arrière. Sinon, placez une couverture épaisse sur le comptoir et la surface de cuisson afin de les protéger des dommages et des saletés. Sélectionnez une surface plane pour assembler l'appareil. Placez une couverture protectrice sur cette surface, puis disposez les pièces de l'auvent de la hotte et la quincaillerie.
2. Déterminez et marquez la ligne centrale sur le mur où sera installé l'auvent de la hotte.
3. Déterminez une hauteur confortable pour l'utilisateur et marquez-la sur le mur derrière la surface de cuisson.
4. Posez le modèle sur la ligne centrale et le bas de la hotte à l'aide de ruban adhésif, comme il est indiqué à la figure ci-dessous.
5. Placez le support de soutien inférieur sur le modèle, alignez-le sur le rectangle, puis marquez le centre de deux ouvertures de fixation, puis d'une ouverture de fixation inférieure. Retirez ensuite le modèle.



6. Tracez une ligne à 1 po au-dessus des marques d'ouverture de fixation les plus hautes et à 1 po sous la marque d'ouverture de fixation la plus basse.
7. Trouvez les montants du mur en tapant doucement ou en utilisant un détecteur de montant. Marquez le centre des montants à l'aide d'un trait vertical à la droite et à la gauche des marques d'ouverture de fixation.

8. **Note** : Les marques d'ouverture de fixation doivent toutes se trouver entre deux montants, sinon procédez de la façon suivante :
Coupez la cloison sèche en suivant les lignes marquées. Installez perpendiculairement entre deux montants une pièce de bois pour qu'elle soit alignée avec les montants existants. Assurez-vous que les vis de fixation s'enfonceront dans ces nouveaux montants. Remplacez la cloison sèche et refaites le fini de la surface.



9. Déterminez les ouvertures nécessaires pour passer les conduits et découpez-les. Installez le système de ventilation avant d'installer l'auvent de la hotte. Voir les paragraphes intitulés " Méthodes de ventilation " et " Dimensions et dégagement ".
10. Déterminez la hauteur nécessaire pour le conduit et coupez une ouverture de 1-1/4 po (3,2 cm) à cet endroit. Passez les fils à cet endroit en respectant les normes du code national de l'électricité ou de la CSA, ainsi que les codes et les ordonnances en vigueur dans votre région.

Il doit y avoir suffisamment de fils d'alimentation de la boîte de fusible ou du disjoncteur désactivé pour raccorder les fils dans la boîte de jonction de la hotte.

Utilisez du calfeutrage pour sceller toutes les ouvertures. N'activez pas l'alimentation avant que l'installation soit terminée.

11. Retracez la ligne de centre et la ligne de fond de la hotte et remplacez le modèle sur le mur de la façon indiquée à l'étape 4.

12. Fixez le support de soutien inférieur à l'aide de vis à bois (Fournies dans la trousse de quincaillerie de montage) sur les marques tracées sur le modèle, puis enlevez le modèle.

13. Utilisez les ancrages pour cloison sèche pour installer le support de soutien du couvercle de conduit au mur pour qu'il soit appuyé sur le plafond (Le support de soutien du couvercle de conduit doit se trouver à environ 1/8 po (3 mm) du plafond).

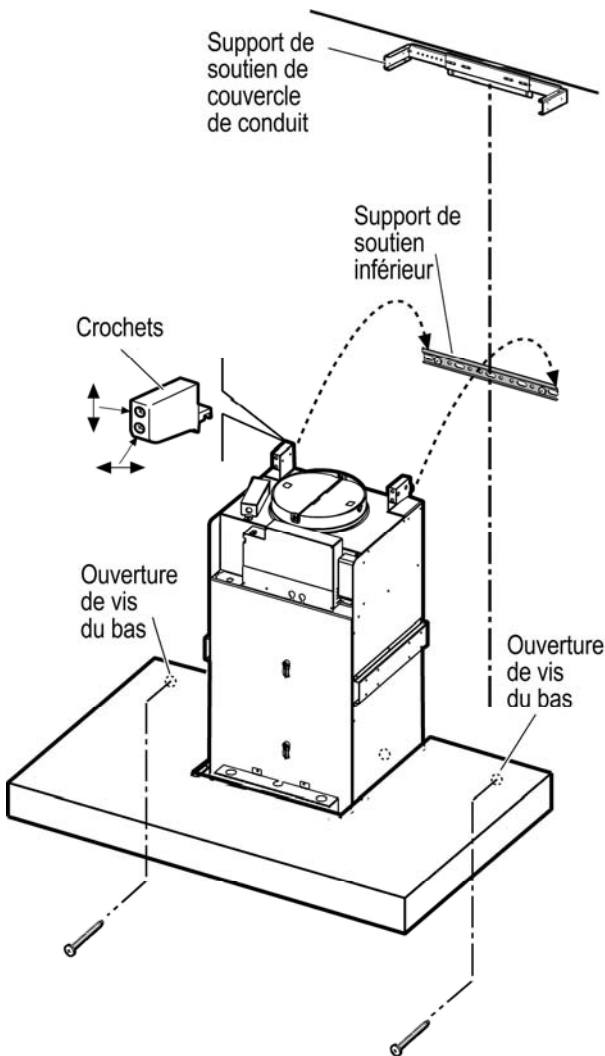
14. Accrochez la hotte sur les deux supports de montage.

AVERTISSEMENT

Danger de poids excessif - Ayez recours à deux personnes pour déplacer et fixer la hotte. Si une seule personne déplace la hotte, elle risque de se blesser, au dos ou ailleurs.

15. Mettez l'appareil à niveau en plaçant un niveau à bulle sur la hotte et en utilisant les vis de mise à niveau du support de montage.

16. Assujettissez la hotte à l'aide de deux vis au bas de la hotte.



17. Raccordez le conduit à la transition. Scellez le joint à l'aide de ruban adhésif en toile. N'utilisez pas un conduit plus petit que la transition.

18. Connexion électrique

AVERTISSEMENT

Danger de choc électrique

AVERTISSEMENT : Coupez l'alimentation du circuit dans le panneau électrique avant de raccorder les fils de cet appareil.

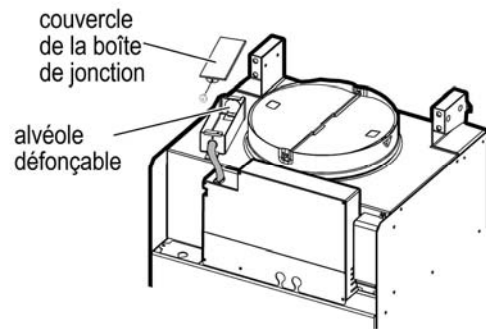
Un circuit de 120 V c.a., de 15 ou 20 A est requis.

INSTRUCTIONS DE MISE À LA TERRE

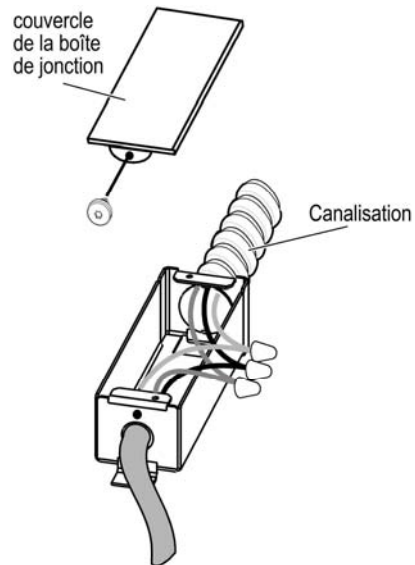
CET APPAREIL EST MUNI D'UNE BOÎTE DE JONCTION ÉLECTRIQUE À TROIS FILS, DONT L'UN (VERT/JAUNE) SERT À METTRE L'APPAREIL À LA TERRE. POUR VOUS PROTÉGER CONTRE LES CHOC ÉLECTRIQUES, VOUS DEVEZ RACCORDER LE FIL VERT/JAUNE AU FIL DE MISE À LA TERRE DU SYSTÈME ÉLECTRIQUE DE VOTRE MAISON. EN AUCUNE CIRCONSTANCE CE FIL DOIT ÊTRE COUPÉ OU ENLEVÉ.

Le fait de ne pas respecter cette directive peut entraîner la mort ou un choc électrique.

Retirez l'alvéole défonçable et le couvercle de la boîte de jonction et installez un connecteur de canalisation (Listé dans cULus) dans la boîte de jonction.



Passez trois fils, le noir, le blanc et le vert, en respectant les normes du code national de l'électricité, ainsi que les codes et les ordonnances en vigueur dans votre région, dans une canalisation de 1/2 po, du panneau de service à la boîte de jonction.

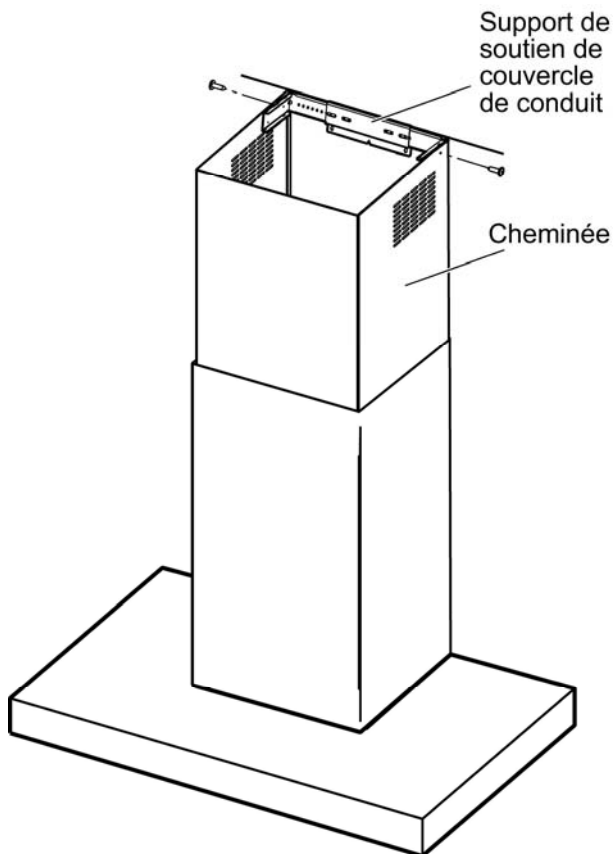


Raccordez le fil noir du panneau de service au fil noir ou rouge de la boîte jonction, le blanc avec le blanc et le vert avec le vert/jaune.

Fermez le couvercle de la boîte de jonction.

19. Installer la cheminée.

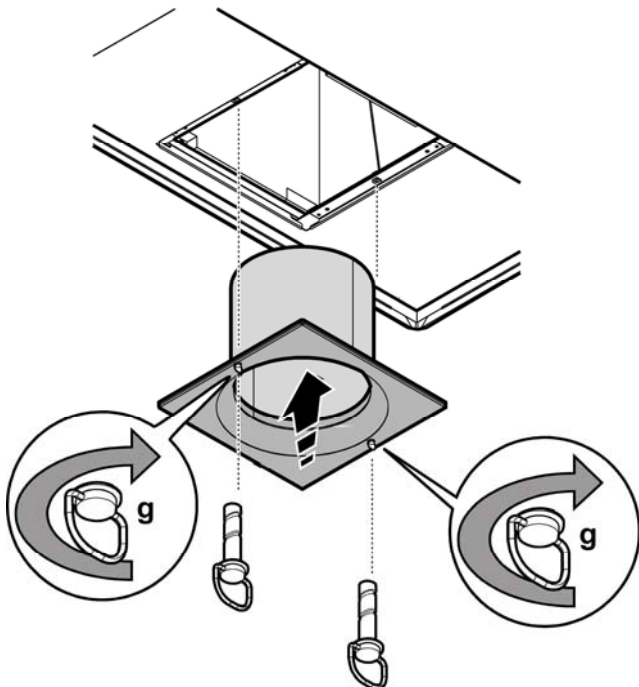
Fixer la cheminée à la patte support des cheminées à l'aide de 2 vis.



Si la hotte ne fonctionne pas :

- Vérifiez que le disjoncteur ne s'est pas déclenché ou que le fusible n'est pas grillé.
- Débranchez l'alimentation. Vérifiez que les raccords électriques ont été effectués correctement.

20. Installer l'ensemble filtre à graisse.

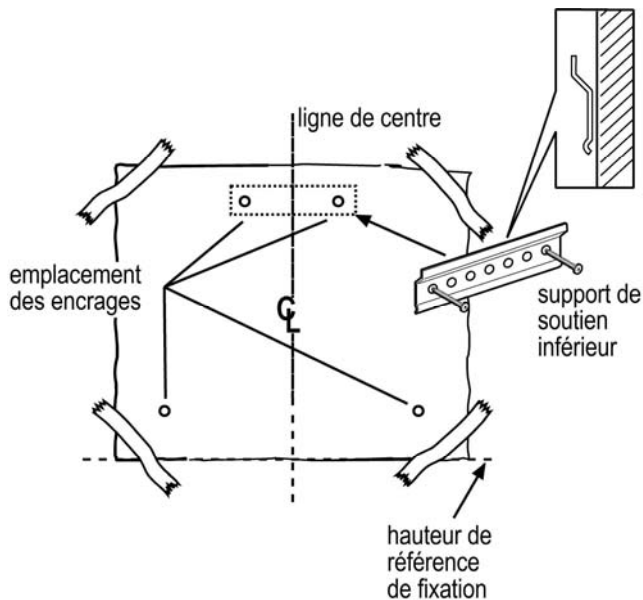


21. Réinstaller le panneau.

22. Vérifiez toutes les ampoules et assurez-vous qu'elles sont bien fixées dans leur douille.
Activez l'alimentation dans le panneau de service.
Vérifiez que le système d'éclairage et le ventilateur fonctionnent normalement.

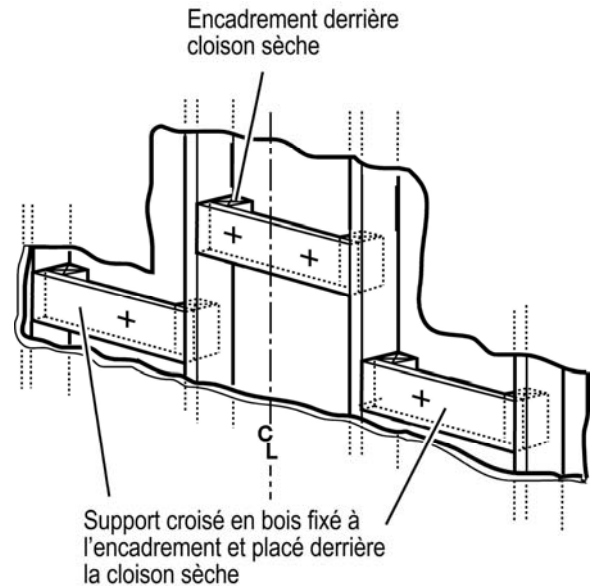
Installation - Version sans conduit (Recyclage)

1. Si possible, débranchez la cuisinière et déplacez-la afin d'avoir un meilleur accès au mur arrière. Sinon, placez une couverture épaisse sur le comptoir et la surface de cuisson afin de les protéger des dommages et des saletés. Sélectionnez une surface plane pour assembler l'appareil. Placez une couverture protectrice sur cette surface, puis disposez les pièces de l'auvent de la hotte et la quincaillerie.
2. Déterminez et marquez la ligne centrale sur le mur où sera installé l'auvent de la hotte.
3. Déterminez une hauteur confortable pour l'utilisateur et marquez-la sur le mur derrière la surface de cuisson.
4. Posez le modèle sur la ligne centrale et le bas de la hotte à l'aide de ruban adhésif, comme il est indiqué à la figure ci-dessous.
5. Placez le support de soutien inférieur sur le modèle, alignez-le sur le rectangle, puis marquez le centre de deux ouvertures de fixation, puis d'une ouverture de fixation inférieure. Retirez ensuite le modèle.



6. Tracez une ligne à 1 po au-dessus des marques d'ouverture de fixation les plus hautes et à 1 po sous la marque d'ouverture de fixation la plus basse.
7. Trouvez les montants du mur en tapant doucement ou en utilisant un détecteur de montant. Marquez le centre des montants à l'aide d'un trait vertical à la droite et à la gauche des marques d'ouverture de fixation.

8. **Note** : Les marques d'ouverture de fixation doivent toutes se trouver entre deux montants, sinon procédez de la façon suivante :
Coupez la cloison sèche en suivant les lignes marquées. Installez perpendiculairement entre deux montants une pièce de bois pour qu'elle soit alignée avec les montants existants. Assurez-vous que les vis de fixation s'enfonceront dans ces nouveaux montants. Remplacez la cloison sèche et refaites le fini de la surface.



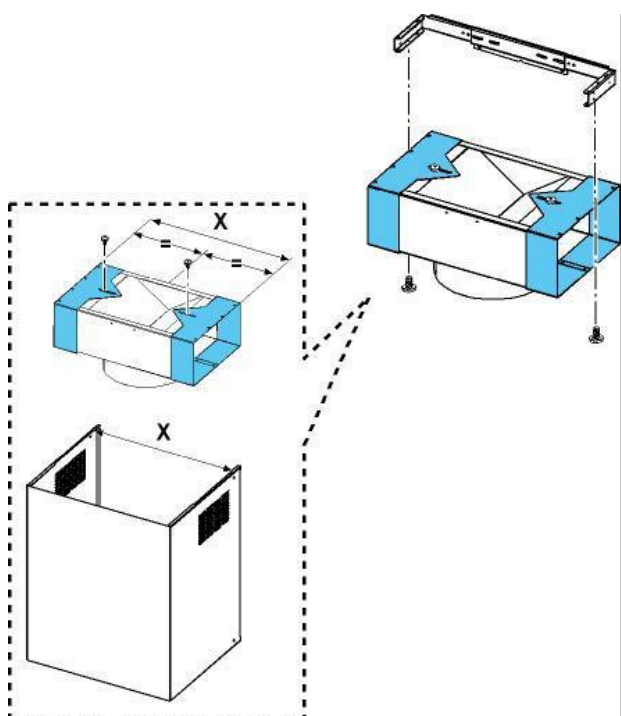
9. Déterminez la hauteur nécessaire pour le conduit et coupez une ouverture de 1-1/4 po (3,2 cm) à cet endroit. Passez les fils à cet endroit en respectant les normes du code national de l'électricité ou de la CSA, ainsi que les codes et les ordonnances en vigueur dans votre région.

Il doit y avoir suffisamment de fils d'alimentation de la boîte de fusible ou du disjoncteur désactivé pour raccorder les fils dans la boîte de jonction de la hotte.

Utilisez du calfeutrage pour sceller toutes les ouvertures. N'activez pas l'alimentation avant que l'installation soit terminée.

10. Retracez la ligne de centre et la ligne de fond de la hotte et remplacez le modèle sur le mur de la façon indiquée à l'étape 4.

11. Fixez le support de soutien inférieur à l'aide de vis à bois (Fournies dans la trousse de quincaillerie de montage) sur les marques tracées sur le modèle, puis enlevez le modèle.
12. Utilisez les ancrages pour cloison sèche pour installer le support de soutien du couvercle de conduit au mur pour qu'il soit appuyé sur le plafond (Le support de soutien du couvercle de conduit doit se trouver à environ 1/8 po (3 mm) du plafond).
13. Installez le déflecteur (Inclus dans la trousse supplémentaire) sous le support de soutien de couvercle de conduit.

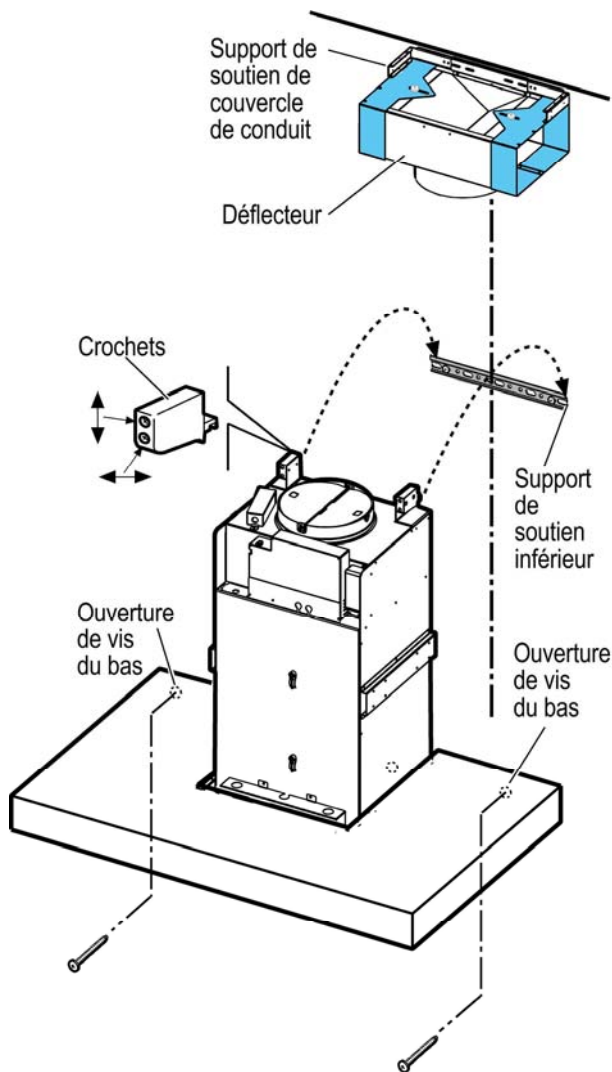


14. Accrochez la hotte sur les deux supports de montage.

AVERTISSEMENT

Danger de poids excessif - Ayez recours à deux personnes pour déplacer et fixer la hotte. Si une seule personne déplace la hotte, elle risque de se blesser, au dos ou ailleurs.

15. Mettez l'appareil à niveau en plaçant un niveau à bulle sur la hotte et en utilisant les vis de mise à niveau du support de montage.
16. Assujettissez la hotte à l'aide de deux vis au bas de la hotte.



17. Raccordez le conduit à la transition. Scellez le joint à l'aide de ruban adhésif en toile. N'utilisez pas un conduit plus petit que la transition. Vous devez vous procurer et installer un conduit pour connecter la transition de la hotte et le déflecteur (Offert dans la trousse supplémentaire).

18. Connexion électrique

AVERTISSEMENT

Danger de choc électrique

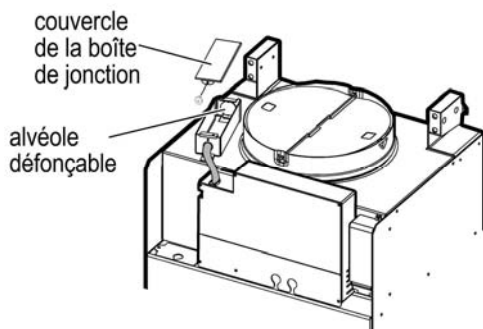
AVERTISSEMENT : Coupez l'alimentation du circuit dans le panneau électrique avant de raccorder les fils de cet appareil.

Un circuit de 120 V c.a., de 15 ou 20 A est requis.

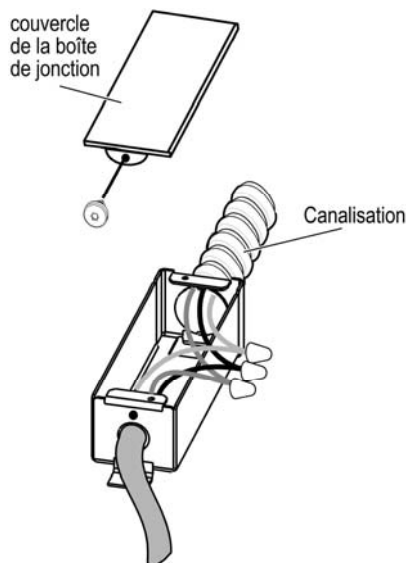
INSTRUCTIONS DE MISE À LA TERRE
CET APPAREIL EST MUNI D'UNE BOÎTE DE JONCTION ÉLECTRIQUE À TROIS FILS, DONT L'UN (VERT/JAUNE) SERT À METTRE L'APPAREIL À LA TERRE. POUR VOUS PROTÉGER CONTRE LES CHOCs ÉLECTRIQUES, VOUS DEVEZ RACCORDER LE FIL VERT/JAUNE AU FIL DE MISE À LA TERRE DU SYSTÈME ÉLECTRIQUE DE VOTRE MAISON. EN AUCUNE CIRCONSTANCE CE FIL DOIT ÊTRE COUPÉ OU ENLEVÉ.

Le fait de ne pas respecter cette directive peut entraîner la mort ou un choc électrique.

Retirez l'alvéole défonçable et le couvercle de la boîte de jonction et installez un connecteur de canalisation (Listé dans cULus) dans la boîte de jonction.



Passez trois fils, le noir, le blanc et le vert, en respectant les normes du code national de l'électricité, ainsi que les codes et les ordonnances en vigueur dans votre région, dans une canalisation de 1/2 po, du panneau de service à la boîte de jonction.

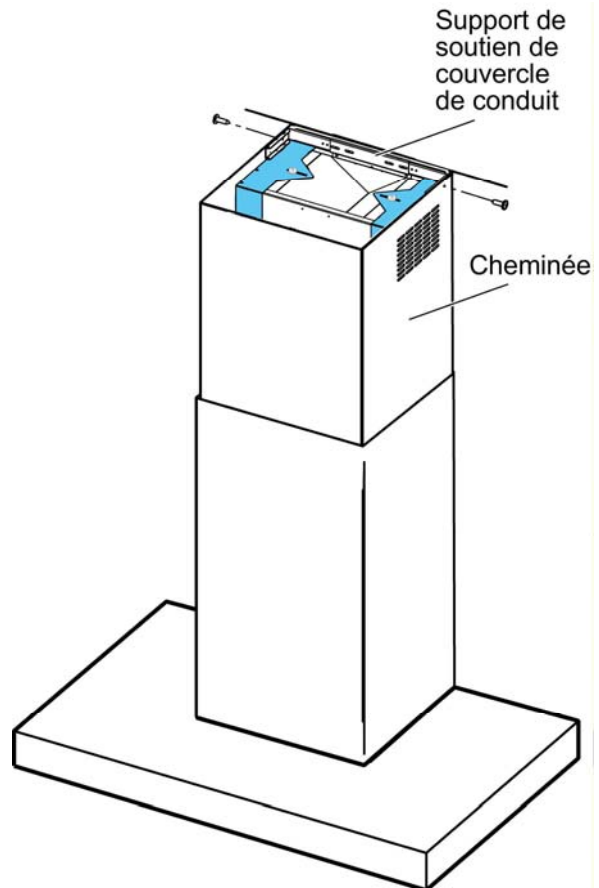


Raccordez le fil noir du panneau de service au fil noir ou rouge de la boîte jonction, le blanc avec le blanc et le vert avec le vert/jaune.

Fermez le couvercle de la boîte de jonction.

19. Installer la cheminée.

Fixer la cheminée à la patte support des cheminées G à l'aide de 2 vis.



20. Réinstaller le panneau.

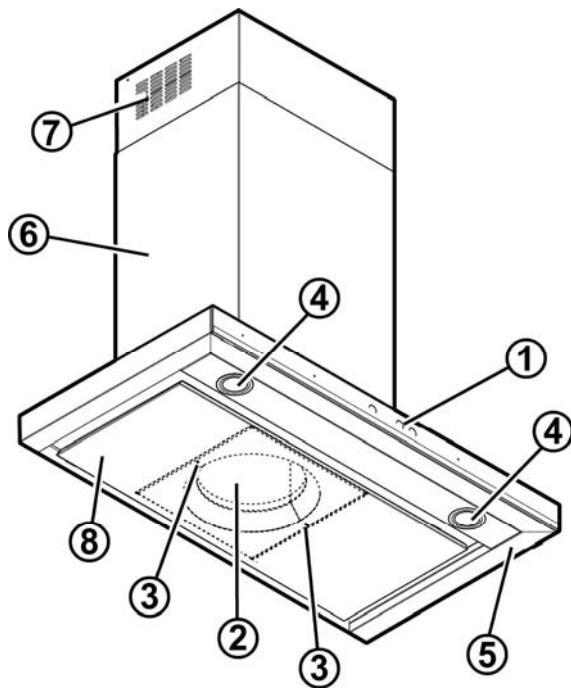
21. Vérifiez toutes les ampoules et assurez-vous qu'elles sont bien fixées dans leur douille.

Activez l'alimentation dans le panneau de service. Vérifiez que le système d'éclairage et le ventilateur fonctionnent normalement.

Si la hotte ne fonctionne pas :

- Vérifiez que le disjoncteur ne s'est pas déclenché ou que le fusible n'est pas grillé.
- Débranchez l'alimentation. Vérifiez que les raccords électriques ont été effectués correctement.

Description de la hotte et des commandes



- 1 Panneau de commande
- 2 Filtre à graisse (Derrière le panneau)
- 3 Poignée de dégagement du filtre à graisse
- 4 Lampes halogène (La position et le nombre de lampes peut varier)
- 5 Écran anti-vapeur
- 6 Couvercles de conduit
- 7 Sortie d'air (Version sans conduit seulement)
- 8 Panneau

Commandes

Utiliser la puissance d'aspiration maximum en cas de concentration très importante des vapeurs de cuisson. Nous conseillons d'allumer la hotte 5 minutes avant de commencer la cuisson et de la faire fonctionner encore pendant 15 minutes environ après avoir terminé la cuisson.

Description du panneau de commandes

Pour sélectionner les fonctions de la hotte, il suffit simplement d'effleurer les commandes.



Touche ON/OFF lumière



Touche de sélection vitesse (puissance d'aspiration) intensive – durée 5 minutes- appuyez de nouveau pour revenir à la sélection précédente.



Touche de sélection vitesse (puissance d'aspiration) – élevée



Touche de sélection vitesse (puissance d'aspiration) moyenne – lorsqu'elle clignote, elle indique la nécessité de laver ou de remplacer le filtre à charbon. Cette alarme est normalement désactivée. Pour activer l'alarme, désactiver celle électronique en appuyant sur le bouton 0 pendant 3 secondes.

Ensuite, appuyez simultanément sur les boutons 1 et 2 pendant 3 secondes ; d'abord, seulement le bouton 1 clignotera, puis les deux boutons 1 et 2 clignoteront pour indiquer l'activation. Répétez la procédure pour désactiver l'alarme ; d'abord, les boutons 1 et 2 clignoteront et ensuite uniquement le bouton 1 clignotera pour indiquer la désactivation.



Touche de sélection vitesse (puissance d'aspiration) basse – lorsqu'elle clignote, elle indique qu'il faut laver le filtre à graisse.



Touche OFF moteur (stand by) – Exclusion de l'Électronique – Reset signalisation lavage /remplacement filtres.

OFF-MOTEUR

Appuyer rapidement pour éteindre le moteur

RESET SIGNALISATION FILTRES

A hotte éteinte, après avoir effectué l'entretien des filtres, appuyer sur la touche jusqu'au signal acoustique. Le led clignotant 1 (filtre anti-graisses) ou 2 (filtre au charbon) arrête de clignoter.

EXCLUSION DE L'ÉLECTRONIQUE

Appuyez sur la touche pendant 3 secondes, l'électronique de commande de la hotte est exclue.

Cette fonction peut être utile pendant l'opération de nettoyage du produit.

Pour réinsérer l'électronique, il suffira de répéter l'opération.

Si la hotte ne fonctionne pas correctement, débranchez la prise pendant environ 5 secondes, puis rebranchez-la. Si le problème persiste, contactez le service de réparation compétent.

Instructions pour l'entretien, utilisateur et la maintenance

Attention! Avant toute opération de nettoyage ou d'entretien, débrancher la hotte du circuit électrique en enlevant la prise ou en coupant l'interrupteur général de l'habitation.

Nettoyage

La hotte doit être régulièrement nettoyée à l'intérieur et à l'extérieur (au moins à la même fréquence que pour l'entretien des filtres à graisse). Pour le nettoyage, utiliser un chiffon humidifié avec un détergent liquide neutre. Ne pas utiliser de produit contenant des abrasifs.

NE PAS UTILISER D'ALCOOL!

ATTENTION: Il y a risque d'incendie si vous ne respectez pas les instructions concernant le nettoyage de l'appareil et le remplacement ou le nettoyage du filtre.

La responsabilité du constructeur ne peut en aucun cas être engagée dans le cas d'un endommagement du moteur ou d'incendie liés à un entretien négligé ou au non respect des consignes de sécurité précédemment mentionnées.

Entretien du panneau

Attention! Tenir le panneau à deux mains pour le montage et le démontage en position pour éviter qu'il ne tombe et ne cause des dégâts aux personnes ou aux choses.

Démontage:

1. extraire fermement (COTE INFÉRIEUR) et tourner vers le haut.
2. pousser vers la gauche le petit levier situé sur le côté droit du panneau.
3. le décrocher des charnières postérieures.

Nettoyage:

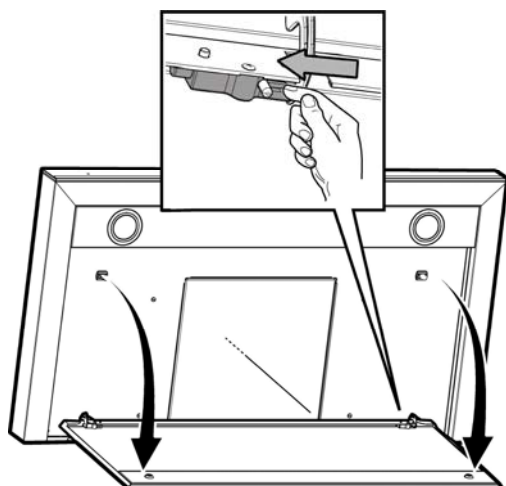
Le panneau d'aspiration doit être nettoyé avec la même fréquence que le filtre anti-graisses, utiliser un chiffon humidifié de détergents liquides neutres.

Éviter l'utilisation de produits contenant des abrasifs. **NE PAS UTILISER D'ALCOOL!**

Montage :

Le panneau est accroché postérieurement et fixé antérieurement par encastrement dans les pivots placés à cet effet sur la surface de la hotte.

Attention! Toujours vérifier que le panneau soit bien fixé dans sa position.

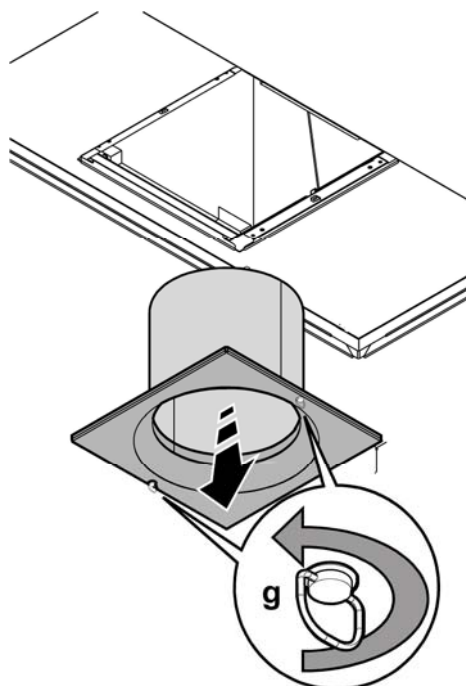


Filtre à graisse

Il retient les particules de graisse issues de la cuisson.

Le filtre anti-graisse métallique doit être nettoyé une fois par mois avec des détergents non agressifs, à la main ou dans le lave-vaisselle à faibles températures et cycle rapide. Le lavage du filtre anti-graisse métallique au lave-vaisselle peut en provoquer la décoloration. Toutefois, les caractéristiques de filtrage ne seront en aucun cas modifiées.

Enlever le châssis de support filtre en tournant de 90° les boutons **(g)** qui le fixent à la hotte.

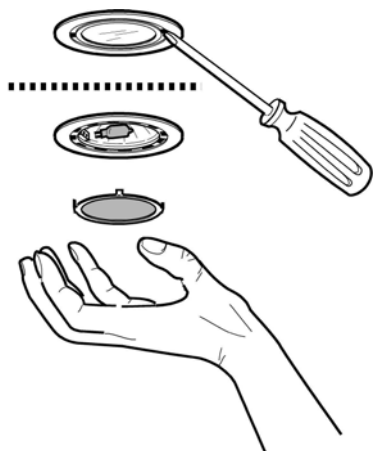


Remplacement des ampoules

Débrancher l'appareil du réseau électrique

Attention! Avant de toucher les lampes, assurez-vous qu'elles soient froides.

Remplacez la vieille ampoule avec le même type tel que spécifié par l'étiquette des caractéristiques ou à proximité de l'ampoule même sur le capot.



1. sortir la protection en utilisant un petit tournevis à lame plate ou tout autre outil similaire.
2. Remplacer la lampe endommagée.
Utiliser uniquement des lampes halogènes 12V -20W max - G4 (**Adaptée à un système d'éclairage ouvert**), en ayant soin de ne pas les toucher avec les mains.
3. Refermer le plafonnier (fixation par encliquetage).
Dans l'éventualité où l'éclairage ne devait pas fonctionner, vérifier si les lampes ont été introduites correctement dans leur logement, avant de contacter le service après-vente.

Filtres à charbon

Retient les odeurs désagréables de cuisson.

Le filtre à charbon peut être nettoyé tous les deux mois (ou lorsque le système d'indication de saturation des filtres – si prévu sur le modèle possédé – indique cette nécessité) avec de l'eau chaude et au moyen de détergents appropriés ou dans le lave-vaisselle à 65°C (dans le cas de lavage dans le lave-vaisselle suivre un cycle de lavage complet sans vaisselle à l'intérieur).

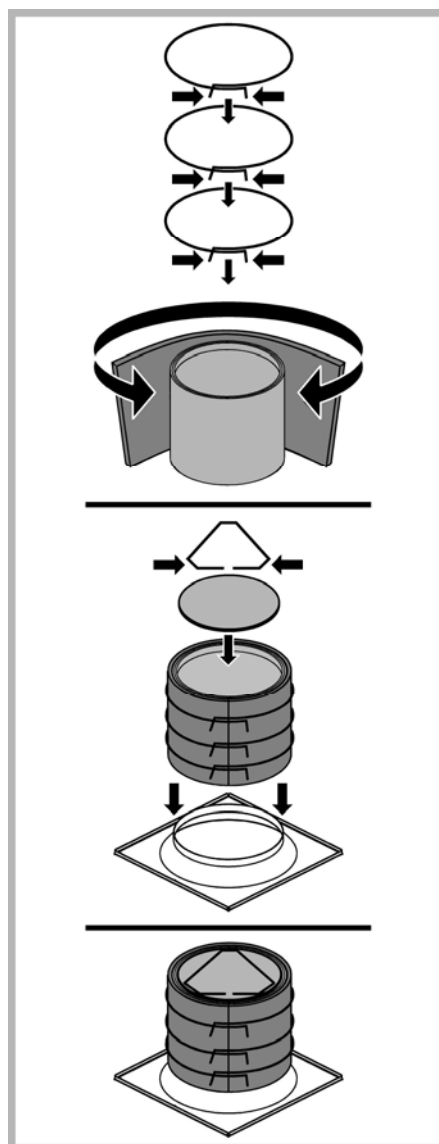
Enlever l'eau qui excède en faisant attention de ne pas abîmer le filtre, ensuite le mettre dans le four pendant 10 minutes à 100°C pour le sécher définitivement. Remplacer le coussinet tous les 3 ans et chaque fois que le filtre sera abîmé.

Montage

Placer le rembourrage autour du filtre à graisse et le fixer à l'aide des dispositifs de blocage prévus.

Appliquer le couvercle supérieur et le fixer à l'aide du ressort de fixation.

Pour l'opération de démontage procéder en sens inverse.



Garantie

GARANTIE DE DEUX ANS *ELICA North America*

POUR OBTENIR UN DEPANNAGE SOUS GARANTIE

Le propriétaire doit présenter une preuve de la date d'achat. Garder une copie de votre preuve d'achat datée (ticket de caisse) de façon à pouvoir bénéficier du service après-vente sous garantie.

GARANTIE PIÈCES DE RECHANGE ET MAIN D'OEUVRE

Pendant une période de deux (2) ans à partir de la date d'achat, Elica s'engage à fournir gratuitement les pièces de rechange ou les composants autres que les recharges ayant des défauts de fabrication.

Durant cette garantie de deux (2) ans, Elica fournira également gratuitement, toute la main d'oeuvre et le service à domicile pour remplacer d'éventuelles pièces défectueuses.

CE QUE LA GARANTIE NE COUVRE PAS

- Dégât ou panne du produit causé par un accident ou un cas de force majeure tels que inondation, incendie ou tremblement de terre.
- Dégât ou panne du produit causé par modification du produit ou utilisation de pièces pas d'origine.
- Dégât ou panne du produit causé lors de la livraison, de la manipulation ou de l'installation.
- Dégât ou panne du produit causé par une mauvaise utilisation.
- Dégât ou panne du produit causé par un remplacement des fusibles ou une remise en fonction des disjoncteurs par le propriétaire.
- Dégât ou panne du produit causé par une utilisation du produit pour raison commerciale.
- Déplacement à domicile pour explication d'utilisation ou d'entretien.
- Ampoules, filtres métalliques ou au charbon et toute autre pièce consommable.
- Usure normale.
- Usure due à une mauvaise utilisation du propriétaire, un entretien incorrect, une utilisation de substances nettoyantes corrosives ou abrasives et produits de nettoyage pour four.

QUI EST COUVERT

Cette garantie s'étend à l'acheteur original de produits achetés pour un usage domestique habituel en Amérique du Nord (Y compris Etats Unis, Guam, Porto Rico, les Iles virgins Américaines & le Canada).

Cette garantie n'est pas transférable et vaut uniquement pour l'acheteur original et ne s'étend pas aux propriétaires successifs du produit. Cette garantie vaut expressément en lieu et place de toute autre garantie, expresse ou sous-entendue, mais ne limite pas toute autre garantie sous-entendue de marchandage ou adaptation dans un but particulier et toute autre obligation de la part de Elica North America, étant entendu, cependant, que si la réclamation pour garanties sous-entendues n'est pas applicable aux yeux de la loi en vigueur, la durée de toute garantie sous-entendue émanant de la loi doit être limitée à deux (2) ans à partir de la date d'achat du produit ou à une période plus longue selon ce que dit la loi en vigueur.

Cette garantie ne couvre pas tout dégât particulier, accidentel et/ou consécutif, ni les pertes et profits, à charge du propriétaire, des ses clients et/ou des utilisateurs Des produits.

QUI CONTACTER

Pour obtenir un Service Après-vente durant la Garantie ou pour toute autre Question liée au Service Après-vente Appeler:

- Elica North America Authorized Service at (888) 732-8018

Ou écrire à:

- Elica North America, Attention Customer Service,
6658 156th Avenue SE,
Bellevue, WA 98006 USA
infoamericas@elica.com

Spanish

Contenido

Aviso de seguridad importante	38
Requisitos eléctricos y de instalación	39
Requisitos eléctricos	39
Antes de instalar la campana	39
Lista de materiales	40
Piezas suministradas	40
Piezas no suministradas	40
Dimensiones y Espacios libres	41
Tipos de ductos y ejemplos	42
Métodos de ventilación	42
Preparación	42
Instalación	43
Preparación de la campana para la instalación:	43
Instalación - Versión con tubos	44
Instalación - Versión sin tubos (Recirculación)	47
Descripción de la campana y los controles	50
Controles	50
Instrucciones para el servicio de venta y de postventa y mantenimiento	51
Limpieza	51
Filtro contra la grasa	51
Sustitución de la bombilla	52
Filtros de Carbón	52
Garantía	53

**APROBADO PARA APARATOS DE USO DOMÉSTICO
SÓLO PARA USO DOMÉSTICO
LEA Y GUARDE ESTAS INSTRUCCIONES**

ANTES DE CONTINUAR, LEA LAS INSTRUCCIONES POR COMPLETO.

LA INSTALACIÓN DEBE CUMPLIR TODA LA NORMATIVA LOCAL.

IMPORTANTE: guarde estas instrucciones para su uso por parte del inspector de electricidad local.

INSTALADOR: entregue al propietario estas instrucciones junto con la unidad.

PROPIETARIO: conserve estas instrucciones para futuras consultas.

Advertencia de seguridad: antes de realizar el cableado de este aparato, desactive el circuito de energía eléctrica en el panel de servicio y desbloquee el panel.

Requisito: Circuito auxiliar de CA de 120 V, 60 Hz, 15 ó 20 A

LEA Y GUARDE ESTAS INSTRUCCIONES

Aviso de seguridad importante

PRECAUCIÓN

SÓLO PARA USO DE VENTILACIÓN GENERAL. NO UTILIZAR PARA EXPULSAR VAPORES O MATERIALES PELIGROSOS O EXPLOSIVOS.

ADVERTENCIA

PARA REDUCIR EL RIESGO DE FUEGO, DESCARGA ELÉCTRICA O LESIONES PERSONALES, RESPETE LO SIGUIENTE:

- A. Utilice esta unidad solamente en el modo que indica el fabricante. En caso de duda, póngase en contacto con el fabricante.
- B. Antes de reparar o limpiar la unidad, desconecte la alimentación en el panel de servicio y bloquee los medios de desconexión del panel de servicio para evitar la conexión accidental de la alimentación. Si no es posible bloquear los medios de desconexión del panel de servicio, coloque un dispositivo de advertencia que destaque como, por ejemplo, una etiqueta, en el panel de servicio.
- C. La instalación y el cableado eléctrico deben realizarlos personas cualificadas de acuerdo con las normativas y los estándares aplicables, incluida la construcción ignífuga.
- D. Es necesaria una ventilación suficiente para la correcta combustión y expulsión de gases por la salida de humos (Chimenea) del equipo de combustión de carburante para evitar el contratiro. Siga las directrices de fabricantes de equipos de calefacción y los estándares de seguridad como los publicados por la National Fire Protection Association (NFPA), American Society for Heating, Refrigeration and Air Conditioning Engineers (ASHRAE) y las normativas locales.
- E. Al efectuar orificios en una pared o techo, no dañe el cableado eléctrico y otras instalaciones ocultas.
- F. Los sistemas instalados mediante conducto deben tener ventilación con salida al exterior.

PRECAUCIÓN

Para reducir el riesgo de fuego y conseguir una salida del aire correcta, asegúrese de conducir el aire hacia el exterior. No permita que el aire se expulse en espacios situados en el interior de muros, techos, desvanes, sótanos de pequeña altura o garajes.

ADVERTENCIA

PARA REDUCIR EL RIESGO DE FUEGO, UTILICE SOLAMENTE TUBOS METÁLICOS.

Instale esta campana de acuerdo con los requisitos especificados.

ADVERTENCIA

Para reducir el riesgo de fuego o descarga eléctrica, no utilice esta campana con ningún dispositivo externo en estado sólido para el control de la velocidad.

ADVERTENCIA

PARA REDUCIR EL RIESGO DE INCENDIO OCASIONADO POR GRASA:

- a) No deje nunca ninguna unidad externa desatendida y con valores de fuego altos. La cocción puede causar humo o reboses de grasa que pueden prender fuego. Caliente el aceite a fuego lento o medio.
- b) Encienda siempre la campana cuando cocine a una temperatura alta o cuando realice flameados (Por ejemplo, crepes Suzette, cerezas flameadas, ternera a

la pimienta flameada).

- c) Limpie con frecuencia los ventiladores. No permita que la grasa se acumule en el ventilador o filtro.
- d) Utilice un tamaño de sartén adecuado. Utilice siempre piezas de batería de cocina adecuadas al tamaño del elemento de superficie.

ADVERTENCIA

PARA REDUCIR EL RIESGO DE LESIONES PERSONALES, EN CASO DE FUEGO OCASIONADO POR GRASA, TENGA EN CUENTA LO SIGUIENTE^a:

- a) **EXTINGA LAS LLAMAS** con una tapa ajustada, una lámina para hacer galletas u otro tipo de bandeja metálica y apague el quemador de gas o elemento eléctrico. **TENGA CUIDADO PARA EVITAR QUEMADURAS.** Si las llamas no se extinguen inmediatamente, **DESALOJE EL LUGAR Y LLAME A LOS BOMBEROS.**
- b) **NUNCA TOME UNA SARTÉN EN LLAMAS**, podría sufrir quemaduras.
- c) **NO UTILICE AGUA**, incluidas bayetas o toallas húmedas ya que se produciría una violenta explosión de vapor.
- d) Utilice un extintor **SÓLO** si:
 - 1) Sabe que dispone de un extintor de la clase ABC y conoce su funcionamiento.
 - 2) El fuego es pequeño y se encuentra en la misma zona donde se inició.
 - 3) Ha llamado a los bomberos.
 - 4) Puede luchar contra el fuego teniendo una salida a su espalda.

^a Basado en "Kitchen Fire Safety Tips" publicado por NFPA.

FUNCIONAMIENTO

a. Coloque siempre las rejillas y los filtros de seguridad en su lugar correspondiente. Sin estos componentes, los ventiladores en funcionamiento podrían atrapar su pelo, sus dedos o su ropa.

El fabricante declina toda responsabilidad en caso de fallo de cumplimiento de las instrucciones aquí facilitadas para la instalación, el mantenimiento y el uso adecuado del producto. El fabricante declina además toda responsabilidad por daños ocasionados por negligencia y la garantía de la unidad queda cancelada automáticamente como consecuencia de un mantenimiento incorrecto.

Requisitos eléctricos y de instalación

Requisitos eléctricos

IMPORTANTE

cumpla todas las normativas y ordenanzas gubernamentales.

Es responsabilidad del cliente:

Ponerse en contacto con un instalador eléctrico cualificado. Asegurarse de que la instalación eléctrica es adecuada y en conformidad con National Electrical Code, ANSI/NFPA 70 (última edición*) o CSA Standards C22.1-94, Canadian Electrical Code, Parte 1 y C22.2 No.0-M91 (última edición*) y toda la normativa y las ordenanzas locales.

Si la normativa lo permite y se utiliza un cable de toma a tierra independiente, se recomienda que un electricista cualificado determine si la difracción de onda de tierra es la adecuada.

No ubique la toma a tierra en una tubería de gas. Si no está seguro de que la campana está correctamente conectada a tierra, consulte a un electricista cualificado. No coloque ningún fusible en el circuito neutral o con vuelta por tierra.

IMPORTANTE

Guarde las instrucciones de instalación para su uso por parte del inspector de electricidad.

La campana debe estar conectada únicamente con hilo de cobre.

La campana debe estar conectada directamente al desconectador con fusible (O disyuntor) mediante canal metálico de cables eléctricos.

Los tamaños de cable deben cumplir los requisitos de la National Electrical Code, ANSI/NFPA 70 (última edición*) o CSA Standards C22.1-94, Canadian Electrical Code, Parte 1 y C22.2 No.0-M91 (última edición*) y toda la normativa y las ordenanzas locales.

Es preciso colocar un conector de canal de cables enumerado en U.L. o C.S.A. en cada extremo del canal de cables de fuente de alimentación (En la campana y en la caja de conexiones).

Se pueden obtener copias de los estándares enumerados en:

* National Fire Protection Association Batterymarch Park Quincy, Massachusetts 02269

** CSA International 8501 East Pleasant Valley Road Cleveland, Ohio 44131-5575

Antes de instalar la campana

1. Para obtener una circulación del flujo de aire más eficaz, utilice un tubo de tramo recto o el menor número posible de tubos acodados.
PRECAUCIÓN: el conducto de ventilación solamente debe tener salida hacia la parte exterior del edificio.
2. Para realizar la instalación, se necesitan al menos dos personas. Use guantes para protegerse contra los bordes afilados.
3. La campana se ajusta mediante material adecuados para la mayoría de superficies; consulte a un instalador cualificado para comprobar si quedan perfectamente ajustados al armario o a la pared.
4. No emplee tubos flexibles.
5. Las instalaciones en CONDICIONES CLIMÁTICAS FRÍAS deben tener instalado un regulador de contratiro adicional para minimizar el flujo de aire inverso y una rotura térmica no metálica para minimizar la conducción de temperaturas externas como parte de los tubos. El regulador debe encontrarse en la parte de aire frío de la rotura térmica.
La rotura debe estar lo más cerca posible al lugar donde los tubos entran en la parte caliente de la casa.
6. Aire limpio: Las normativas locales para edificios pueden requerir el uso de sistemas de aire limpio cuando se utilizan sistemas de ventilación mediante tubos superiores al CFM especificado de movimiento de aire. El CFM especificado varía de una zona a otra. Para conocer los requisitos específicos de su zona, consulte a un profesional de HVAC.

Lista de materiales

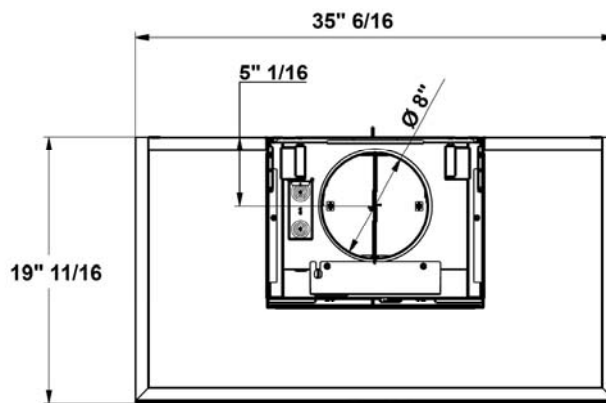
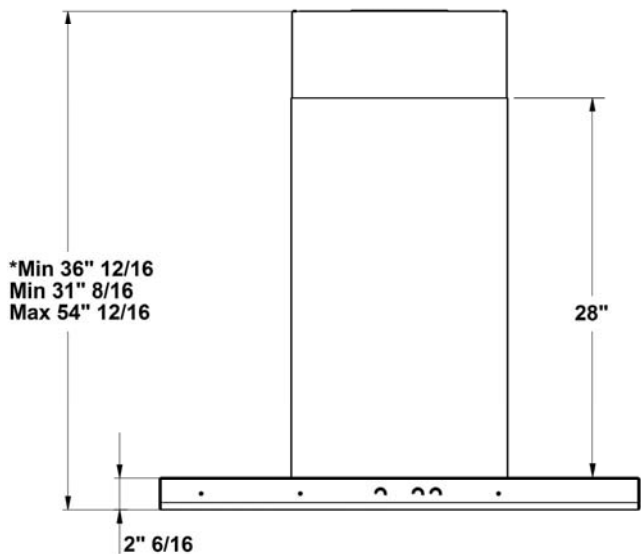
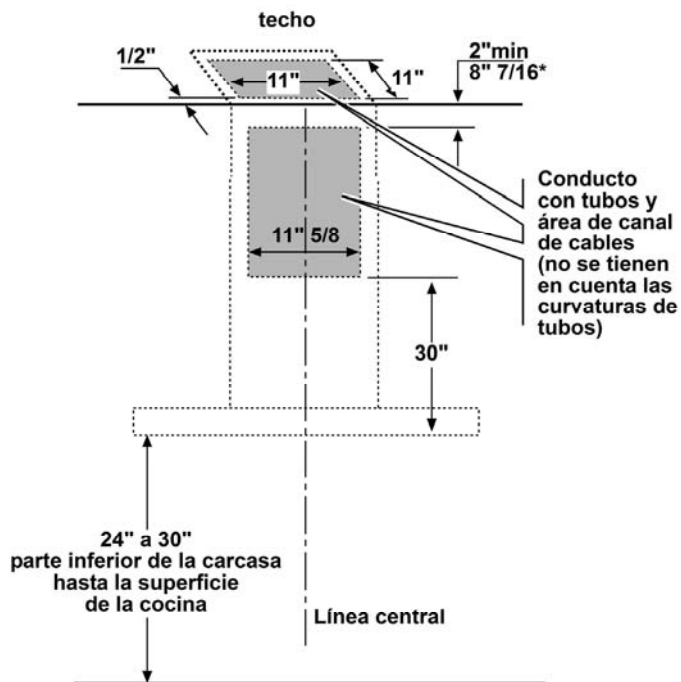
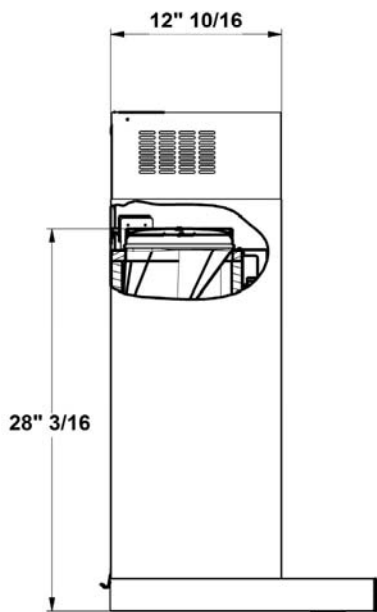
Piezas suministradas

- Cubierta de la campana con panel, lámparas y motor ya montados.
- Cubiertas de tubo
- Conjunto de filtro de grasa + dispositivo de fijación.
- Deflector (versión sin conductos - 3 piezas para montar)
- Paquete con tornillos y elementos metálicos:
 - Llave Allen x 1
 - Plantilla
 - Guía de instalación, uso y mantenimiento
 - Gancho x 2
 - Gancho soporte de fijación x 2
 - Soporte de sujeción de la cubierta de tubo (montaje de 3 piezas)
 - Soporte de sujeción inferior
 - 14 tornillos 3,5x9,5
 - 4 tornillos 4x8 (pour assembler le support de soutien des couvercles de conduit)
 - 4 tornillos 3,9x25 (para ensamblar ganchos de soporte fijación)
 - 2 tornillos 2,9x6,5 (para fijar la cubierta de tubo)
 - 6 tornillos 5 x 45 (para todos los que se fijan a la pared trasera)

Piezas no suministradas

- Tubos, canal de cables y todas las herramientas necesarias para la instalación.
- **Kit de conversión sin tubos** solamente se puede utilizar en la **versión sin tubos (Recirculación)** **incluye:** filtro de carbón vegetal y dispositivos de fijación de filtro de carbón vegetal.

Dimensiones y Espacios libres



* SÓLO para versión sin tubos (recirculación).

Tipos de ductos y ejemplos

Siga detenidamente las instrucciones expuestas en este manual.

Se declina toda responsabilidad de cualquier inconveniencia, daños o incendios eventuales ocasionados por el incumplimiento de las instrucciones de este manual.

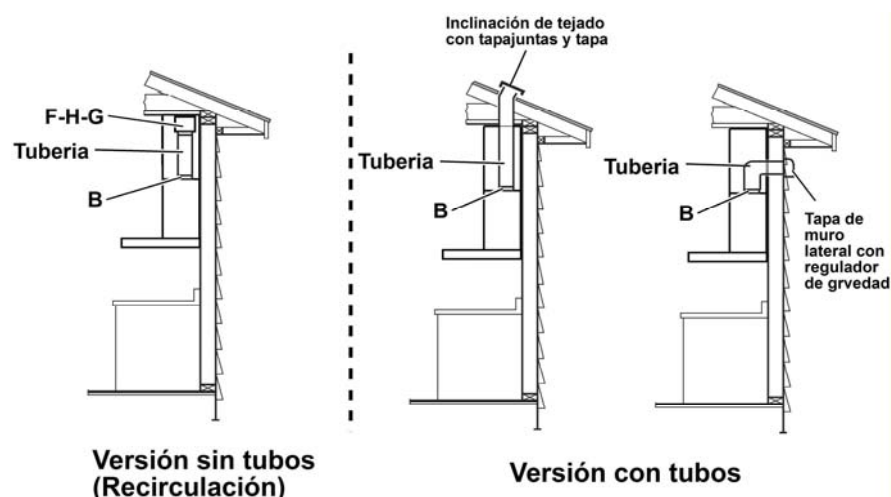
Métodos de ventilación

La campana está equipada con un **salida de escape B** para la descarga de gases al exterior (**Versión con tubos**).

En caso de que no sea posible la descarga de gases y del vapor procedentes de la cocina al exterior, la campana se puede utilizar en la **versión sin tubos (Recirculación)**. Coloque un **filtro de carbono** activado y el **deflector F** en el soporte de sujeción de la **cubierta de tubo G**. Los gases y vapores se reciclan a través de la **rejilla superior H** mediante un conducto conectado al cambio de sección **B** y el cambio de sección montado en el deflector **F**.

NOTA: Sólo para versión sin tubos (Recirculación): adquiera el kit de conversión sin tubos.

Tamaño mínimo de tubo (Versión con o sin tubos): Tubería redonda de 8".



Preparación

No corte una vigueta o un perno a menos que sea absolutamente necesario. Si fuera necesario efectuar el corte, deberá construirse un marco de soporte.

Se suministra el material de ajuste necesario para fijar la campana a la mayoría de tipos de muro o techo.

No obstante, un técnico cualificado debe comprobar la idoneidad de los materiales de acuerdo con el tipo de muro o techo.

Antes de efectuar ningún corte, asegúrese de existe espacio libre adecuado en el techo o muro para la expulsión del aire.

La preferencia de la altura de instalación de la campana de los usuarios es por encima de la cocina. Cuanto más cerca esté la campana de la cocina, mas eficaz resultará la captura de olores, grasa y humos.

PRECAUCION: PARA LA INSTALACION DE ESTUFAS DE GAS: INSTALE ESTA CAMPANA DE TAL MANERA QUE LA CORNISA INFERIOR SE ENCUENTRE A 30" (76,2 CM) SOBRE LA SUPERFICIE DE COCCION.

PARA LA INSTALACION DE ESTUFAS ELECTRICAS: INSTALE ESTA CAMPANA DE TAL MANERA QUE LA CORNISA INFERIOR SE ENCUENTRA A NO MENOS DE 24" (61 CM) Y NO MAS DE 30" (76,2 CM) SOBRE LA SUPERFICIE DE COCCION.

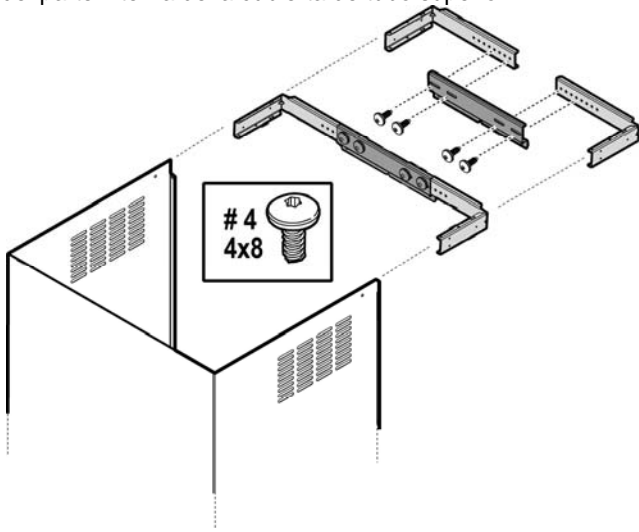
PARA USO ELECTRODOMESTICO. POR FAVOR, LEA EL MANUAL DE INSTALACION PARA UNA INSTALACION ESPECIFICA.

Antes de seleccionar la campana, compruebe la altura del techo y la altura máxima de la campana.

Instalación

Preparación de la campana para la instalación: MONTAJE DEL SOPORTE DE SUJECCIÓN DE LA CUBIERTA DE TUBO (3 PIEZAS):

Las tres piezas deben fijarse con 4 tornillos, la extensión de soporte se puede ajustar y debe corresponder con el ancho del parte interna de la cubierta de tubo superior.

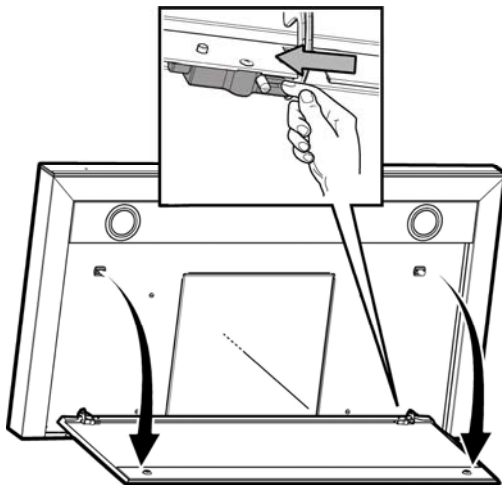


Para facilitar la instalación se recomienda remover el panel antes de instalar la campana.

Atención! Tengan con ambas manos el panel cuando lo desmonten o lo vuelvan a montar en posición para evitar que se caiga y cause daños a personas o cosas.

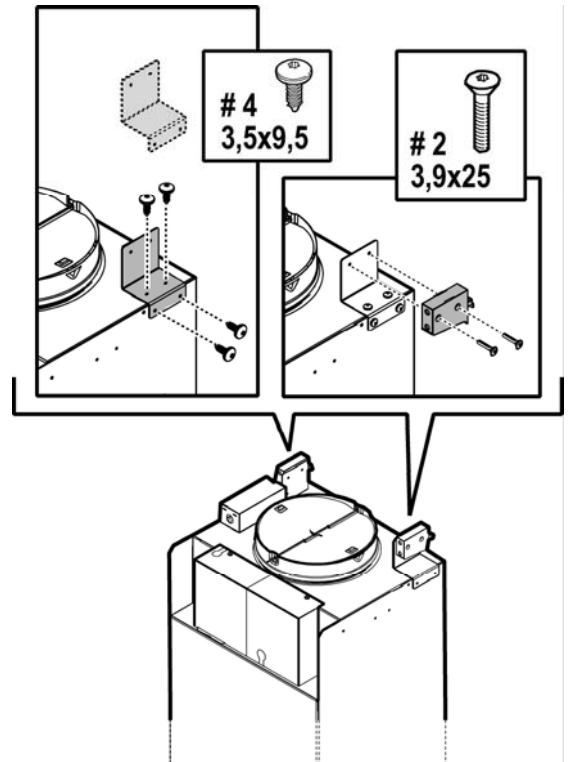
Desmontaje:

- tirar el panel (LADO FRONTAL) firmemente hacia abajo.
- Empujar hacia la izquierda la pequeña palanca presente en la parte derecha del panel,
- desengancharlo de las bisagras posteriores.



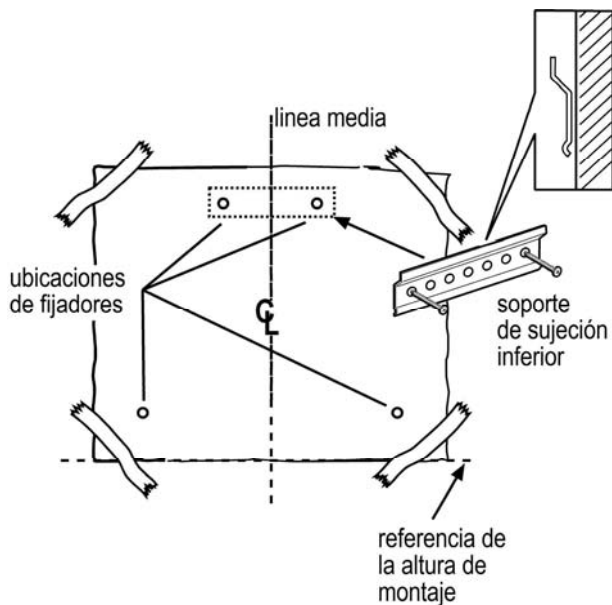
Montaje de los ganchos de la campana:

- Fijar 2 soportes (una por cada lado) en la parte superior de la caja del motor con 8 tornillos (4 por soporte).
- Fijar 2 ganchos (uno por cada lado) con 4 tornillos (2 por gancho).



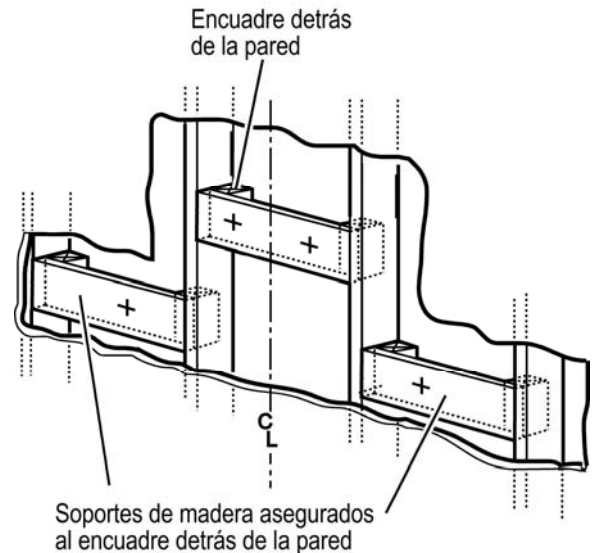
Instalación - Versión con tubos

1. Si es posible, desconecte y mueva individualmente o deslice la cocina desde la apertura del armario para permitir un acceso fácil al muro posterior. De lo contrario, coloque una cubierta protectora gruesa sobre la encimera o la cocina para protegerla de daños o suciedad. Seleccione una superficie plana para montar la unidad. Coloque una cubierta protectora sobre la superficie y coloque en ella todas las piezas de la carcasa de la campana, tornillos y elementos metálicos.
2. Determine y marque la línea central en el muro donde se instalará la carcasa de la campana.
3. Seleccione una altura de montaje confortable para el usuario y realice una marca en el muro situado detrás de la cocina.
4. Coloque la plantilla de manera que coincida con la línea central y la parte inferior de la campana tal y como se muestra en la siguiente figura.
5. Coloque el soporte de sujeción inferior en la plantilla haciendo que coincida con el rectángulo trazado, marque el centro de dos ubicaciones de fijación y una ubicación de fijación inferior y, después retire la plantilla.



6. Marque la pared con una línea horizontal 1" por encima de la ubicación de fijación más alta y 1" por debajo de la ubicación de fijación más baja.
7. Localice los pernos detrás del tabique aislante o mediante una herramienta destinada a tal fin. Marque el centro de los pernos con una línea vertical a la derecha e izquierda de la ubicación de fijación marcada.

8. **Nota:** toda ubicación de fijación debe extenderse hasta los pernos; de lo contrario proceda de la siguiente manera:
Realice un corte en el tabique aislante a lo largo de las líneas marcadas. Instale lo necesario entre los pernos firmemente emparejados con la parte frontal del perno existente. Asegúrese de que los tornillos de montaje quedan anclados a los pernos agregados. Reemplace y renueve el acabado del tabique aislante.



9. Determine y realice los cortes necesarios en la pared para el sistema de ventilación. instale el sistema de ventilación antes que la carcasa de la campana. Consulte los párrafos de las secciones "Métodos de ventilación" y "Dimensiones y espacio libre".
10. Determine la altura precisa para el canal de cables y realice un orificio de 1-1/4" (3,2 cm) en esta ubicación. Introduzca los cables por dicho orificio de acuerdo con National Electrical Code o CSA Standards y la normativa y las ordenanzas locales.

El cable de alimentación del desconectador con fusible (o disyuntor) debe ser suficiente para realizar la conexión en la(s) caja(s) de conexiones de la campana. Utilice enmasillado para sellar todas las aberturas. No encienda la campana hasta que la instalación no haya finalizado.

11. Marque de nuevo la línea central y la parte inferior de la campana en la misma ubicación anterior y coloque la plantilla en la pared tal y como hizo en el paso 4.

12. Monte el soporte de sujeción inferior con tornillos de madera (suministrados en el kit de tornillos y elementos de montaje) en las ubicaciones marcadas en la plantilla y después retire esta última.

13. Instale el soporte de sujeción de la cubierta de tubo en el muro emparejándolo con el techo mediante los anclajes de tabique aislante suministrados (dicho soporte debe instalarse aproximadamente a 1/8" (3 mm) del techo).

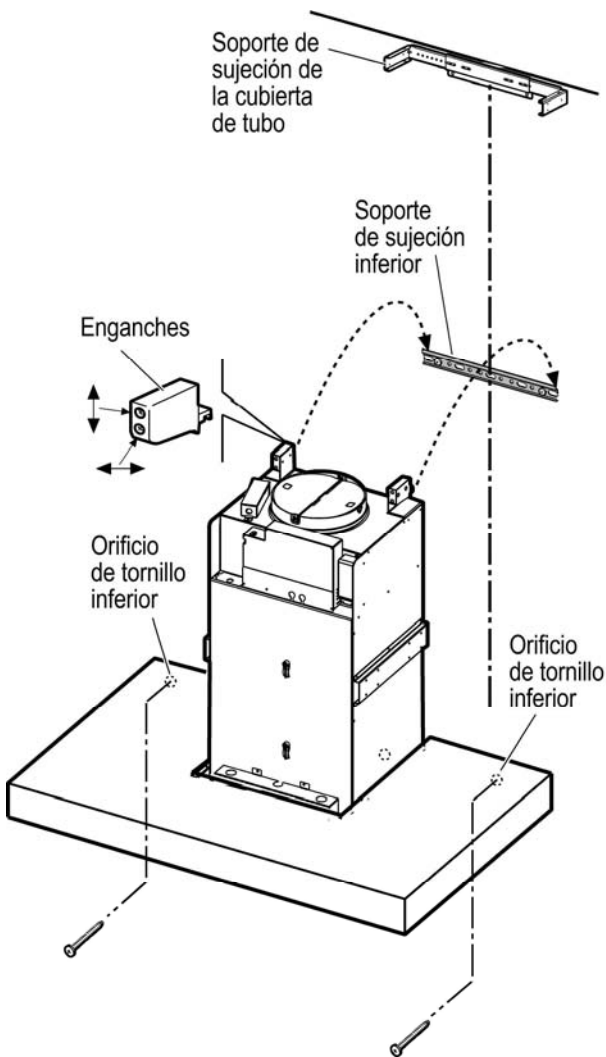
14. Cuelgue la campana mediante los 2 enganches de montaje.

ADVERTENCIA

Peligro de peso excesivo: serán necesarias dos o más personas para mover e instalar la campana extractora. De lo contrario, podrían producirse lesiones de espalda o de otro tipo.

15. Nivele el aparato mediante el nivelador de carpintero colocándolo en la parte inferior de la campana con tornillos nivelantes en los enganches de montaje.

16. Fije la campana con 2 tornillos en la parte inferior.



17. Conecte los tubos al cambio de sección. Utilice cinta adecuada para el sellado. No utilice un tubo más pequeño que el cambio de sección.

18. Conexión eléctrica

ADVERTENCIA

Peligro de descarga eléctrica

Advertencia: antes de realizar el cableado de este aparato, desactive el circuito de energía eléctrica en el panel de servicio.

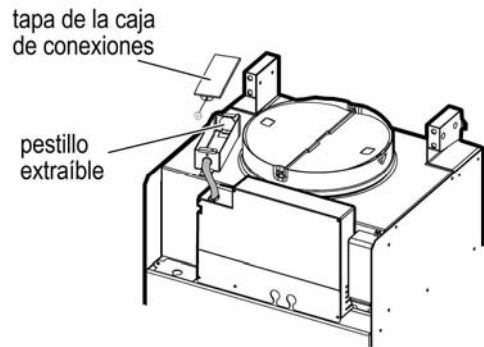
Se requiere un circuito 120 VAC, 15 ó 20 A.

INSTRUCCIONES DE TOMA ELÉCTRICA

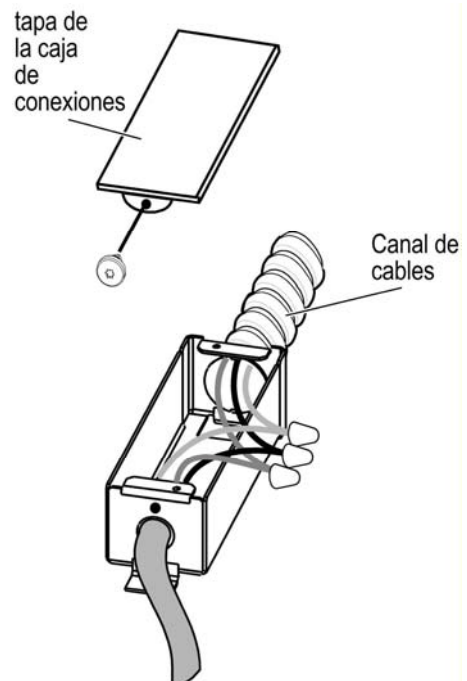
ESTE APARATO DISPONE DE UNA CAJA DE CONEXIONES ELÉCTRICAS CON 3 CABLES, UNO DE LOS CUALES (VERDE Y AMARILLO) SIRVE COMO TOMA DE TIERRA PARA EL APARATO PARA PROTEGERSE DE DESCARGAS ELÉCTRICAS, EL CABLE VERDE Y AMARILLO DEBE ESTAR CONECTADO AL CABLE DE TOMA A TIERRA DE SU SISTEMA DOMÉSTICO DE ELECTRICIDAD Y BAJO NINGUNA CIRCUNSTANCIA DEBE CORTARSE O ELIMINARSE.

De lo contrario, podría tener como resultado una descarga eléctrica o la muerte.

Retire el pestillo extraíble y la tapa de la caja de conexiones e instale el conector de canal de cables (Enumerado en cULUS) en la caja de conexiones.



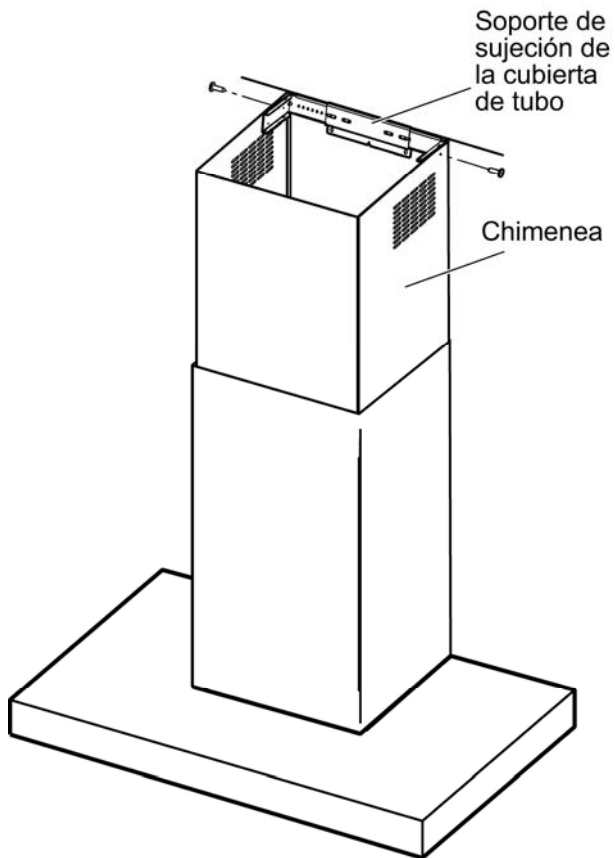
Coloque 3 cables (Negro, blanco y verde) de acuerdo con el National Electrical Code y la normativa y las ordenanzas locales en el canal de cables de 1/2" del panel del servicio a la caja de conexiones.



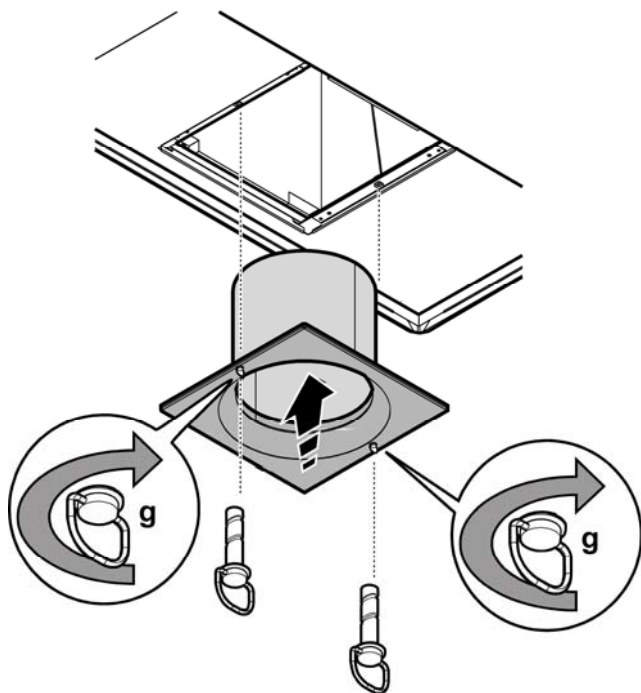
Conecte el cable negro del panel de servicio al cable negro o rojo de la caja de conexiones, el cable blanco al blanco y el verde al verde-amarillo.

Cierre la tapa de la caja de conexiones.

- 19.** Aplique la chimenea.
Fije la chimenea con 2 tornillos a la abrazadera de soporte de chimeneas.



- 20.** Instalar el conjunto de filtro de grasa.



- 21.** Instalar de nuevo el panel.

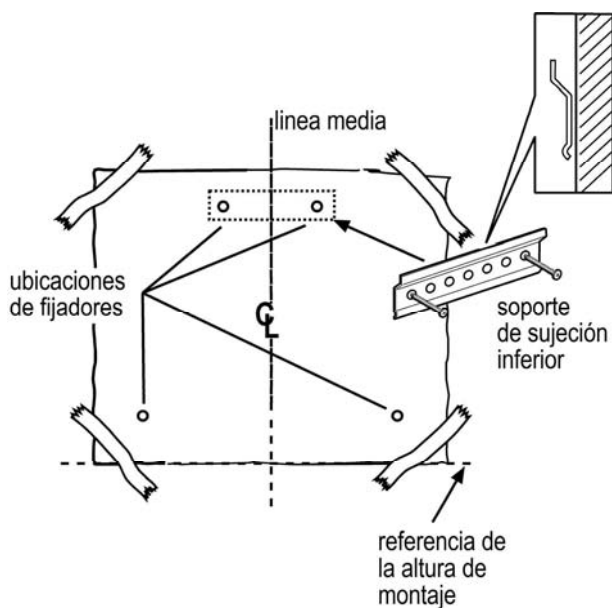
- 22.** Compruebe si todas las bombillas están correctamente instaladas.
Conecte la alimentación en el panel de servicio.
Compruebe el funcionamiento de las luces y el ventilador.

Si la campana extractora no funciona:

- Compruebe si el disyuntor está desconectado o se han fundido los fusibles.
- Desconecte el suministro eléctrico. Compruebe si el cableado es correcto.

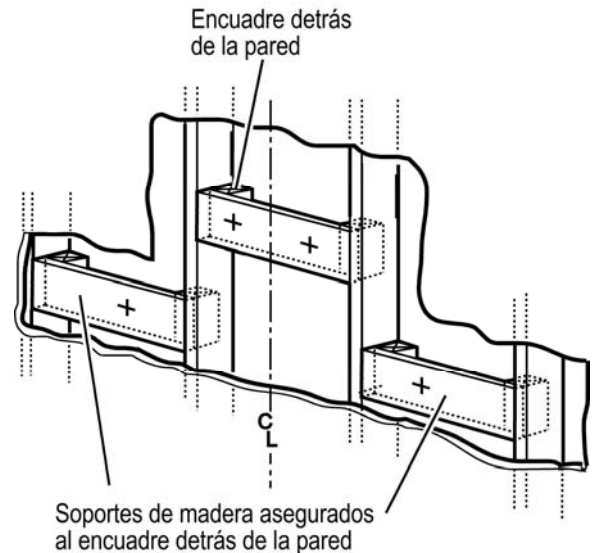
Instalación -Versión sin tubos (Recirculación)

1. Si es posible, desconecte y mueva individualmente o deslice la cocina desde la apertura del armario para permitir un acceso fácil al muro posterior. De lo contrario, coloque una cubierta protectora gruesa sobre la encimera o la cocina para protegerla de daños o suciedad. Seleccione una superficie plana para montar la unidad. Coloque una cubierta protectora sobre la superficie y coloque en ella todas las piezas de la carcasa de la campana, tornillos y elementos metálicos.
2. Determine y marque la línea central en el muro donde se instalará la carcasa de la campana.
3. Seleccione una altura de montaje confortable para el usuario y realice una marca en el muro situado detrás de la cocina.
4. Coloque la plantilla de manera que coincida con la línea central y la parte inferior de la campana tal y como se muestra en la siguiente figura.
5. Coloque el soporte de sujeción inferior en la plantilla haciendo que coincida con el rectángulo trazado, marque el centro de dos ubicaciones de fijación y una ubicación de fijación inferior y, después retire la plantilla.



6. Marque la pared con una línea horizontal 1" por encima de la ubicación de fijación más alta y 1" por debajo de la ubicación de fijación más baja.
7. Localice los pernos detrás del tabique aislante o mediante una herramienta destinada a tal fin. Marque el centro de los pernos con una línea vertical a la derecha e izquierda de la ubicación de fijación marcada.

8. **Nota:** toda ubicación de fijación debe extenderse hasta los pernos; de lo contrario proceda de la siguiente manera:
Realice un corte en el tabique aislante a lo largo de las líneas marcadas. Instale lo necesario entre los pernos firmemente emparejados con la parte frontal del perno existente. Asegúrese de que los tornillos de montaje quedan anclados a los pernos agregados. Reemplace y renueve el acabado del tabique aislante.

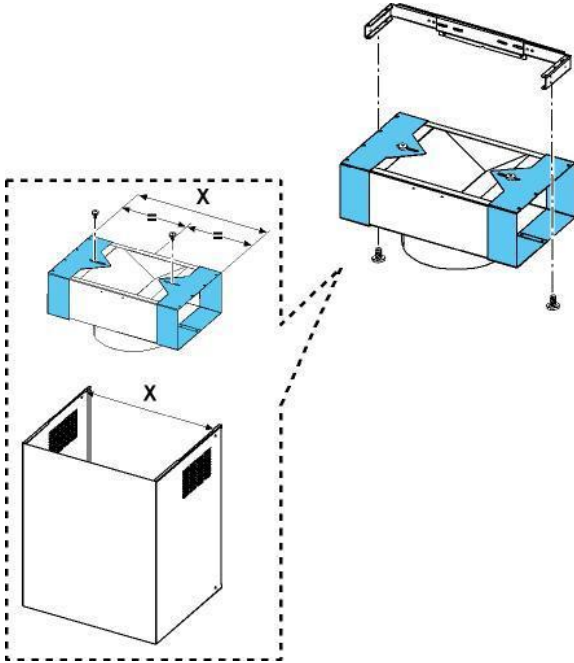


9. Determine la altura precisa para el canal de cables y realice un orificio de 1-1/4" (3,2 cm) en esta ubicación. Introduzca los cables por dicho orificio de acuerdo con National Electrical Code o CSA Standards y la normativa y las ordenanzas locales.

El cable de alimentación del desconectador con fusible (o disyuntor) debe ser suficiente para realizar la conexión en la(s) caja(s) de conexiones de la campana. Utilice enmasillado para sellar todas las aberturas. No encienda la campana hasta que la instalación no haya finalizado.

10. Marque de nuevo la línea central y la parte inferior de la campana en la misma ubicación anterior y coloque la plantilla en la pared tal y como hizo en el paso 4.

11. Monte el soporte de sujeción inferior con tornillos de madera (suministrados en el kit de tornillos y elementos de montaje) en las ubicaciones marcadas en la plantilla y después retire esta última.
12. Instale el soporte de sujeción de la cubierta de tubo en el muro emparejándolo con el techo mediante los anclajes de tabique aislante suministrados (dicho soporte debe instalarse aproximadamente a 1/8" (3 mm) del techo).
13. Instale el deflector (Disponible como un kit adicional) debajo del soporte de sujeción de la cubierta de tubo.

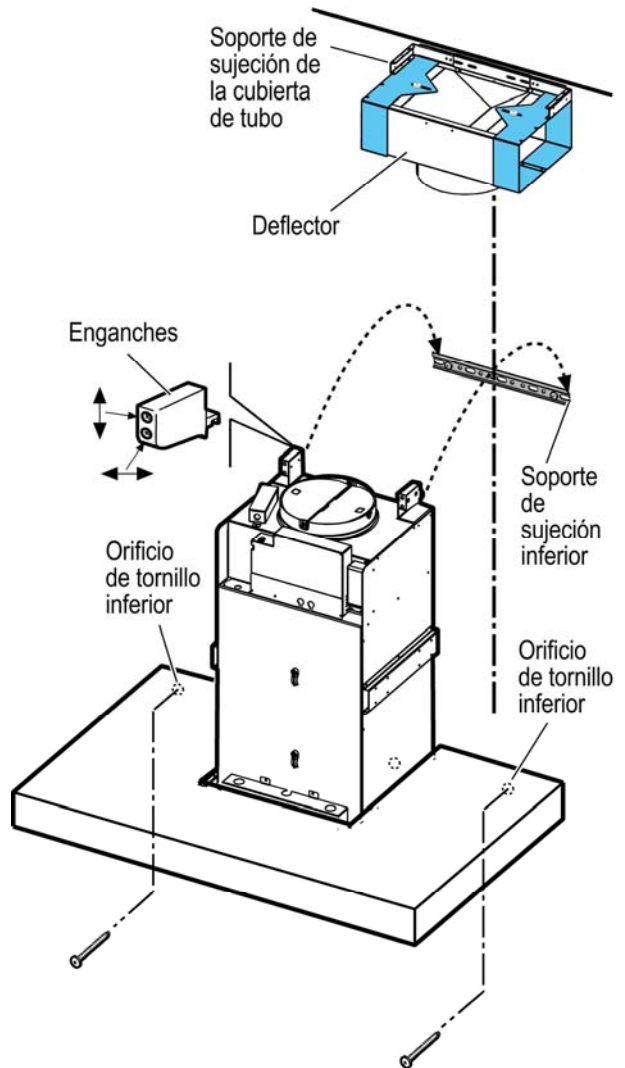


14. Cuelgue la campana mediante los 2 enganches de montaje.

ADVERTENCIA

Peligro de peso excesivo: serán necesarias dos o más personas para mover e instalar la campana extractora. De lo contrario, podrían producirse lesiones de espalda o de otro tipo.

15. Nivele el aparato mediante el nivelador de carpintero colocándolo en la parte inferior de la campana con tornillos nivelantes en los enganches de montaje.
16. Fije la campana con 2 tornillos en la parte inferior.



17. Conecte los tubos al cambio de sección. Utilice cinta adecuada para el sellado. No utilice un tubo más pequeño que el cambio de sección. Proporcione e instale un tubo para conectar el cambio de sección de la campana al deflector (Disponible como un kit adicional).

18. Conexión eléctrica

ADVERTENCIA

Peligro de descarga eléctrica

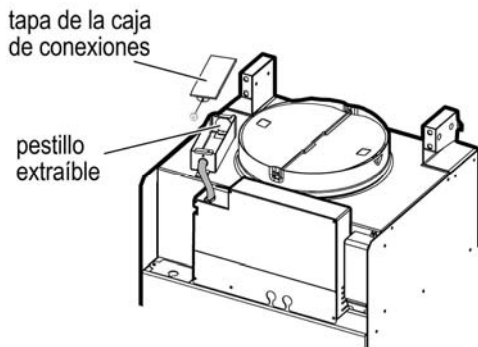
Advertencia: antes de realizar el cableado de este aparato, desactive el circuito de energía eléctrica en el panel de servicio.

Se requiere un circuito 120 VAC, 15 ó 20 A.

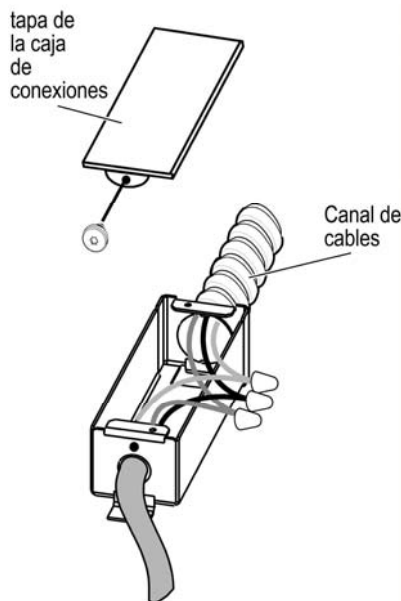
INSTRUCCIONES DE TOMA ELÉCTRICA
ESTE APARATO DISPONE DE UNA CAJA DE CONEXIONES ELÉCTRICAS CON 3 CABLES, UNO DE LOS CUALES (VERDE Y AMARILLO) SIRVE COMO TOMA DE TIERRA PARA EL APARATO PARA PROTEGERSE DE DESCARGAS ELÉCTRICAS, EL CABLE VERDE Y AMARILLO DEBE ESTAR CONECTADO AL CABLE DE TOMA A TIERRA DE SU SISTEMA DOMÉSTICO DE ELECTRICIDAD Y BAJO NINGUNA CIRCUNSTANCIA DEBE CORTARSE O ELIMINARSE.

De lo contrario, podría tener como resultado una descarga eléctrica o la muerte.

Retire el pestillo extraíble y la tapa de la caja de conexiones e instale el conector de canal de cables (Enumerado en cULUS) en la caja de conexiones.



Coloque 3 cables (Negro, blanco y verde) de acuerdo con el National Electrical Code y la normativa y las ordenanzas locales en el canal de cables de 1/2" del panel del servicio a la caja de conexiones.

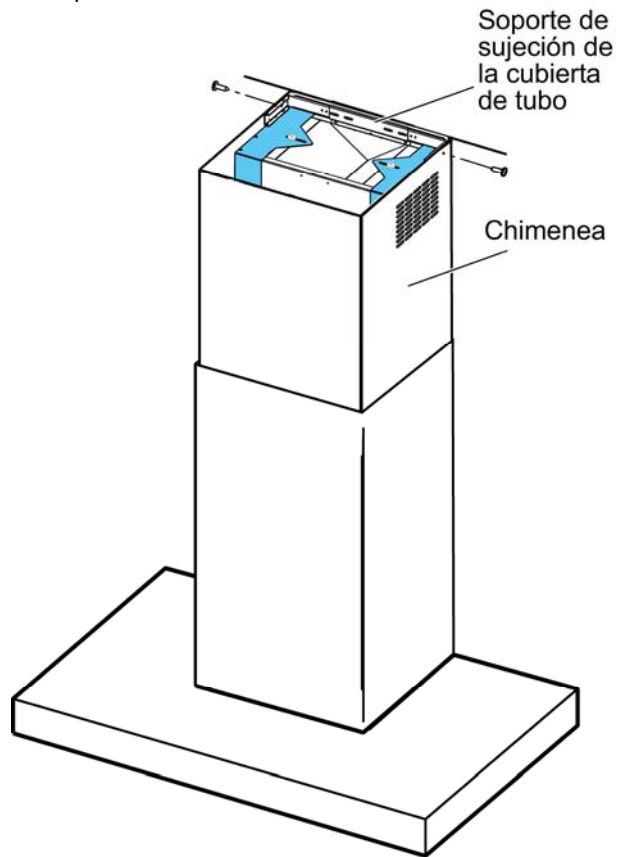


Conecte el cable negro del panel de servicio al cable negro o rojo de la caja de conexiones, el cable blanco al blanco y el verde al verde-amarillo.

Cierre la tapa de la caja de conexiones.

19. Aplique la chimenea.

Fije la chimenea con 2 tornillos a la abrazadera de soporte de chimeneas G.



20. Instalar de nuevo el panel.

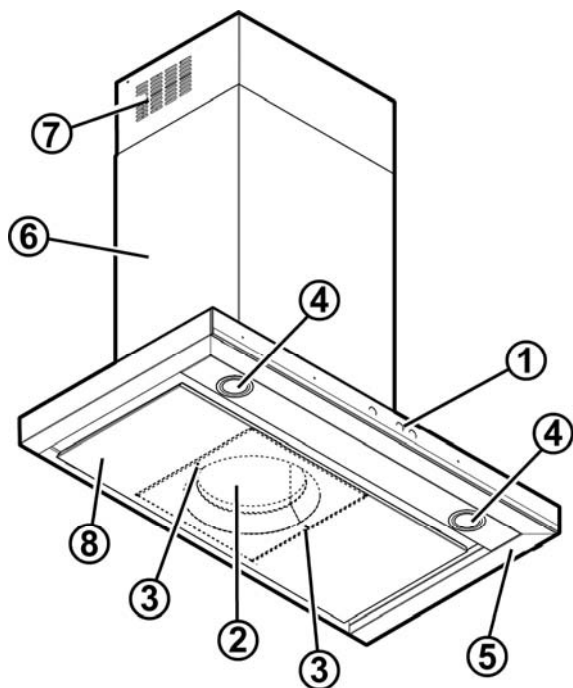
21. Compruebe si todas las bombillas están correctamente instaladas.

Conecte la alimentación en el panel de servicio. Compruebe el funcionamiento de las luces y el ventilador.

Si la campana extractora no funciona:

- Compruebe si el disyuntor está desconectado o se han fundido los fusibles.
- Desconecte el suministro eléctrico. Compruebe si el cableado es correcto.

Descripción de la campana y los controles



- 1 Panel de control
- 2 Filtro contra la grasa (detrás del panel)
- 3 Palanca de liberación del filtro contra la grasa
- 4 Lámpara halógena (La posición y el número de lámparas puede variar)
- 5 Filtro de vapor
- 6 Cubierta de tubo
- 7 Salida de aire (solamente se utiliza para la versión sin tubos)
- 8 Panel

Controles

Usar la potencia de aspiración mayor en caso de particular concentración de vapores de cocina. Aconsejamos de encender la aspiración 5 minutos antes de iniciar a cocinar y dejarla en función por otros 15 minutos aproximadamente.

Descripción del panel de control

Para seleccionar las funciones de la campana basta con rozar los mandos.



Tecla ON/OFF luz



Tecla de selección de la velocidad (potencia de aspiración) intensiva - duración 5 minutos – pulse otra vez para volver a la configuración precedente.



Tecla de selección de la velocidad (potencia de aspiración) alta



Tecla de selección de la velocidad (potencia de aspiración) media- cuando parpadea indica la necesidad de lavar o sustituir el filtro al carbono. Esta señal está normalmente desactivada, para activar la señal, exclusir la electrónica apretando por 3 segundos la tecla **0**. Sucesivamente, apretar contemporáneamente las teclas **1** y **2** por 3 segundos, antes destellará sólo la tecla **1**, luego destellarán ambas teclas **1** y **2** para indicar la activación. Repetir la operación para desactivar la señal, antes destellarán las teclas **1** y **2**, luego destellará sólo la tecla **1** para indicar la desactivación.



Tecla de selección de la velocidad (potencia de aspiración) baja - cuando parpadea indica la necesidad de lavar el filtro de grasas.



Tecla OFF motor (stand by) – Exclusión de la Electrónica - Reset señalación lavado/sustitución de los filtros.

OFF MOTOR

Pulse brevemente para apagar el motor.

RESET SEÑALACIÓN DE LOS FILTROS

Con la campana extractora encendida, después de haber llevado a cabo el mantenimiento de los filtros, pulse la tecla hasta escuchar la señal acústica. El led relampagueante **1** (filtro anti grasas) o **2** (filtro al carbono) deja de relampaguear.

EXCLUSIÓN DE LA ELECTRONICA

Pulse por 3 segundos la tecla, se desconecta la electrónica de mando de la campana.

Esta función puede ser útil durante la operación de limpieza del producto.

Para activar la electrónica bastará repetir la operación.

En caso de eventuales anomalías en el funcionamiento, antes de dirigirse al servicio de asistencia, desconectar el aparato de la alimentación eléctrica, extrayendo el enchufe al menos durante 5 segundos, y después conectarlo nuevamente. Si la anomalía de funcionamiento no desaparece, dirigirse al servicio de asistencia.

Instrucciones para el servicio de venta y de postventa y mantenimiento

¡Atención! Antes de cualquier operación de limpieza o mantenimiento, retire la campana de la red eléctrica desconectando el enchufe o desconectando el interruptor general de la casa.

Limpieza

La campana debe ser limpiada con frecuencia tanto externamente como internamente (con la misma frecuencia con la que se realiza el mantenimiento de los filtros de grasa). Para la limpieza, utilice un paño impregnado de detergente líquido neutro. No utilice productos que contengan abrasivos. **¡NO UTILICE ALCOHOL!**

ATENCIÓN: De no observarse las instrucciones dadas para limpiar el aparato y sustituir el filtro, puede producirse un incendio. El fabricante recomienda leerlas y respetarlas atentamente.

El fabricante no se hace responsable por los daños al motor o los incendios provocados en el aparato debido a intervenciones de mantenimiento incorrectas o al incumplimiento de las normas de seguridad proporcionadas.

Mantenimiento del panel

¡Atención! Tener con ambas manos el panel cuando se desmonta o monta en posición para evitar que caiga y cause daños a personas o a cosas.

Desmontaje:

1. tirar el panel (LADO ANTERIOR) con decisión hacia abajo,
2. Empujar hacia la izquierda la pequeña palanca que está en la parte derecha del panel,
3. desengancharlo de las cremalleras posteriores.

Limpieza:

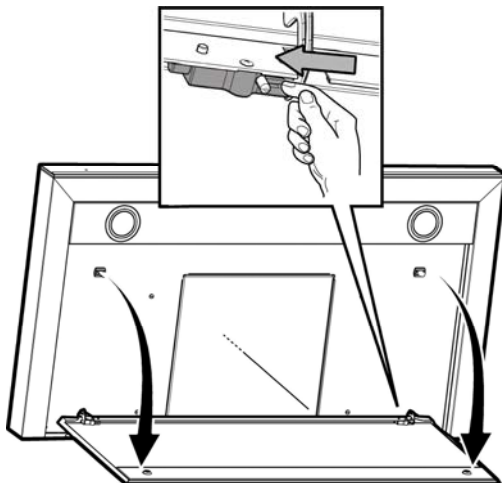
el panel de aspiración debe ser limpiado con la misma frecuencia del filtro anti-grasas. Usar un paño humedecido con detergente líquido neutro.

Evitar el uso de productos que contienen abrasivos. **¡NO UTILICE ALCOHOL!**

Montaje :

El panel debe ser enganchado posteriormente y fijado anteriormente a encaje en los pernos aporpiados, sobre la superficie de la campana.

¡Atención! Verifique siempre que el panel esté bien fijo en su lugar.



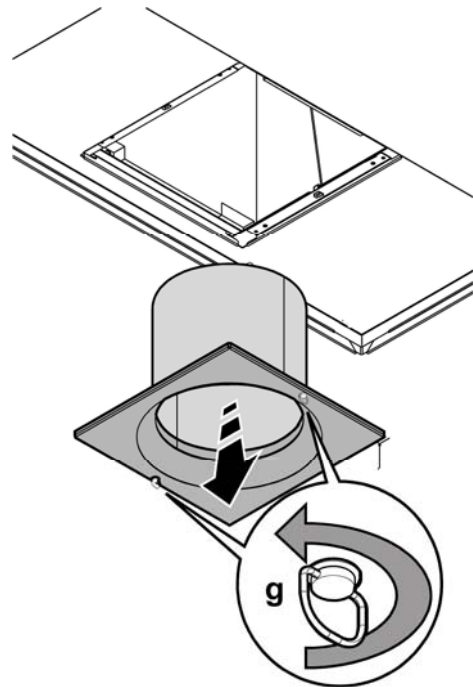
Filtro contra la grasa

Retiene las partículas de grasa producidas cuando se cocina.

El filtro antigrasa metálico debe limpiarse una vez al mes con detergentes no agresivos, manualmente o bien en lavavajillas a bajas temperaturas y con ciclo breve.

Con el lavado en el lavavajilla el filtro antigrasa metálico puede desteñirse pero sus características de filtrado no cambian absolutamente.

Saque la cubierta que sujeta el filtro girando 90 grados los pomos (g) que la sujetan a la campana.

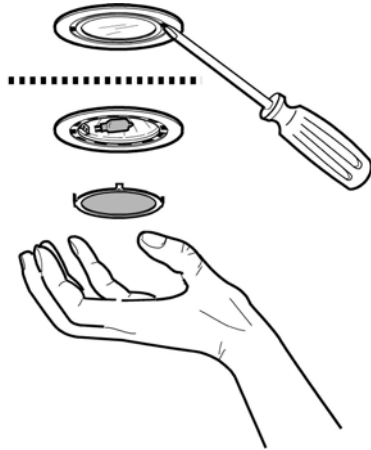


Sustitución de la bombilla

Desconecte el aparato de la red eléctrica.

Atención! Antes de tocar las lámparas asegúrese de que estén frías.

Sustituir la lámpara dañada con una del mismo tipo como se especifica en la etiqueta correspondiente o en la campana cerca de la lámpara misma .



1. Extraer la protección haciendo palanca con un pequeño destornillador de boca plana o una herramienta similar.
2. Sustituir la lámpara dañada.
Utilizar sólo lámparas halógenas de 12V -20W max - G4 (**Adecuada para su uso en luminaria abierta**) prestando atención en no tocarlas con las manos.
3. Cerrar el plafón (fijación a presión).
Si la iluminación no funciona, antes de llamar al servicio de asistencia técnica, controlar que las lámparas estén bien montadas en su sede.

Filtros de Carbón

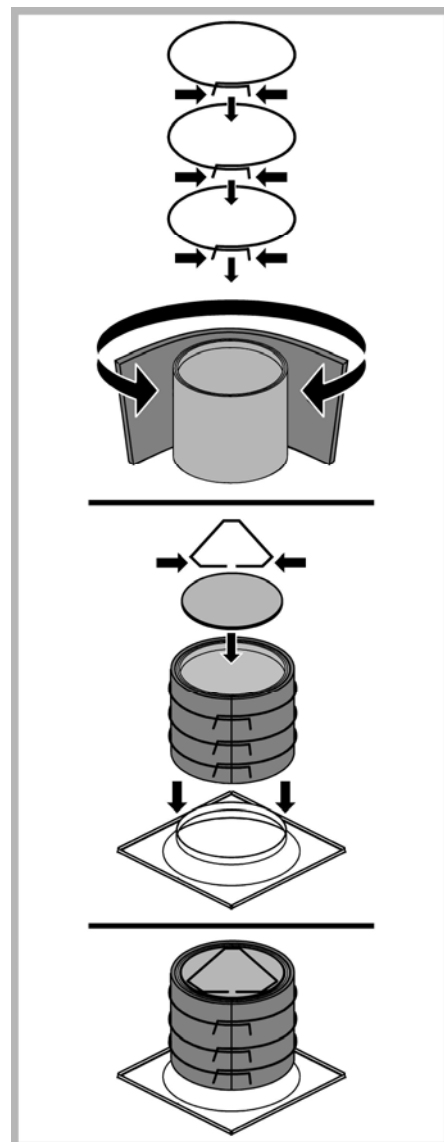
Retiene los olores desagradables producidos por el cocinado de alimentos.

El filtro al carbón puede lavarse cada dos meses (o cuando el sistema de indicación de saturación de los filtros - si está previsto en el modelo que se posee - indica esta necesidad) con agua caliente y detergentes adecuados o en lavavajillas a 65°C (en caso de lavado con lavavajillas, realice el ciclo de lavado completo sin platos en el interior.). Quite el agua que haya quedado en el filtro sin estropearlo, después póngalo en el horno a 100°C durante diez minutos para secarlo completamente. Cambie el almohadillado cada 3 años y cada vez que el paño se estropee.

Montaje

Coloque el filtro de carbón alrededor del filtro de grasa y fíjelo con los dispositivos de bloqueo correspondientes. Aplique el tapón superior y fíjelo con el muelle de bloqueo.

Para el desmontaje, proceda en sentido inverso.



Garantía

ELICA North America **GARANTIA LIMITADA DE DOS AÑOS.**

PARA OBTENER SERVICIO DENTRO DE GARANTIA.

El propietario debe presentar su recibo original de la compra. Guarde por favor una copia de su recibo de compra como prueba, para recibir el servicio dentro del periodo de garantía.

PARTES Y GARANTIA DE SERVICIO.

Por el periodo de (2) dos años desde la fecha original de la compra, Elica proveerá, gratuitamente, partes no-consumibles o componentes que hayan fallado debido a defectos de fabricación. Durante estos (2) años de garantía limitada, Elica también proveerá gratuitamente, todo el servicio en casa y mano de obra necesaria para reemplazar cualquier parte defectuosa.

QUE NO ESTA CUBIERTO

- Daños o fallas del producto causados por accidente o actos de Dios, tales como inundaciones incendios o terremotos.
- Daños o fallas causadas por alteración del producto o por el uso de partes no-originales.
- Daños o fallas del producto causados durante la entrega, manejo o instalación.
- Daños o fallas del producto causados por abuso del usuario.
- Daños o fallas del producto causados por reemplazo de fusibles dañados o reseteo de interruptor de circuito.
- Daño o fallas causados por el uso del producto en un ambiente comercial (no doméstico).
- Viajes de servicio debidos a dudas sobre el uso o instalación del producto.
- Bombillas, filtros de carbón o metal y cualquier otra parte consumible.
- Desgaste normal.
- Desgaste terminal debido a abusos del usuario, mantenimiento inadecuado, uso de productos / toallas de limpieza corrosivos o abrasivos y por uso de limpiadores para hornos.

QUIEN ESTA CUBIERTO

Esta garantía se extiende al comprador original de productos adquiridos para uso residencial en Norte América (incluyendo Estados Unidos, Guam, Puerto Rico, Islas Vírgenes de USA y Canadá).

Esta garantía no es transferible y aplica solamente al comprador original y no se extiende a propietarios subsecuentes del producto.

Esta garantía se expresa en lugar de otras garantías, expresadas o implícadas, incluyendo, pero no limitada a ninguna garantía implícada de comercialización o adaptada para propósitos particulares y cualquier otra obligación por parte de Elica North America, considerando, sin embargo, que si la negación de garantías implícitas es inefectiva bajo la ley aplicable, la duración de cualquier garantía implícita será limitada a dos (2) años desde la fecha original de compra o por el periodo necesario como sea requerido por la ley aplicable.

Esta garantía no cubre cualquier daño especial, incidental y/o consecuente, ni pérdidas de ganancias, sufridas por el comprador original, sus clientes y/o usuarios del producto.

A QUIEN CONTACTAR

Para obtener Servicio bajo Garantía o para cualquier pregunta relacionada a Servicio.

Favor de llamar:

- Servicio Autorizado de Elica North America al (888) 732-8018

O escribiendo a:

- Elica North America, Atención a Servicio a Clientes,
6658 156th Avenue SE,
Bellevue, WA 98006 USA
infoamericas@elica.com

