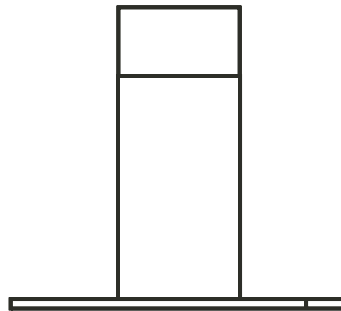


Use, Care, and Installation Guide
Guide d'utilisation, d'entretien et d'installation
Guía de instalación, uso y mantenimiento

Optica

Design Team Elica



READ AND SAVE THESE INSTRUCTIONS
LISEZ CES INSTRUCTIONS ET CONSERVEZ-LES
LEA Y GUARDE ESTAS INSTRUCCIONES

English	Contents	page	2
French	Sommaire	page	11
Spanish	Contenido	página	20

English

Contents

Important safety Notice	3
Electrical & Installation requirements	4
Electrical requirements.....	4
Before installing the hood.....	4
List of Materials.....	5
Parts supplied	5
Parts not supplied	5
Dimensions and Clearances	5
Ducting Options and Examples	6
Venting methods.....	6
Preparation	6
Installation	7
Description of the hood & Controls.....	10
Controls.....	10
Maintenance	10
Cleaning.....	10
Grease Filter	10
Replacing the light bulb.....	10

**APPROVED FOR RESIDENTIAL APPLIANCES
FOR RESIDENTIAL USE ONLY
READ AND SAVE THESE INSTRUCTIONS**

PLEASE READ ENTIRE INSTRUCTIONS BEFORE PROCEEDING.

INSTALLATION MUST COMPLY WITH ALL LOCAL CODES.

IMPORTANT: Save these Instructions for the Local Electrical Inspector's use.

INSTALLER: Please leave these Instructions with this unit for the owner.

OWNER: Please retain these instructions for future reference.

Safety Warning: Turn off power circuit at service panel and lock out panel, before wiring this appliance.

Requirement: 120 V AC, 60 Hz. 15 or 20 A Branch Circuit

READ AND SAVE THESE INSTRUCTIONS

Important safety Notice

CAUTION

FOR GENERAL VENTILATING USE ONLY. **DO NOT USE TO EXHAUST HAZARDOUS OR EXPLOSIVE MATERIALS OR VAPORS.**

WARNING

TO REDUCE THE RISK OF FIRE, ELECTRIC SHOCK, OR INJURY TO PERSONS, OBSERVE THE FOLLOWING:

- A. Use this unit only in the manner intended by the manufacturer. If you have questions, contact the manufacturer.
- B. Before servicing or cleaning the unit, switch power off at service panel and lock service panel disconnecting means to prevent power from being switched on accidentally. When the service disconnecting means cannot be locked, securely fasten a prominent warning device, such as a tag, to the service panel.
- C. Installation Work and Electrical Wiring Must Be Done By Qualified Person(s) In Accordance With All Applicable Codes & Standards, Including Fire-rated Construction.
- D. Sufficient air is needed for proper combustion and exhausting of gases through the flue (Chimney) of fuel burning equipment to prevent back-drafting. Follow the heating equipment manufacturers guideline and safety standards such as those published by the National Fire Protection Association (NFPA), the American Society for Heating, Refrigeration and Air Conditioning Engineers (ASHRAE), and the local code authorities.
- E. When cutting or drilling into wall or ceiling, do not damage electrical wiring and other hidden utilities.
- F. Ducted systems must always be vented to the outdoors.

CAUTION

To reduce risk of fire and to properly exhaust air, be sure to duct air outside - do not vent exhaust air into spaces within walls, ceilings, attics, crawl spaces, or garages.

WARNING

TO REDUCE THE RISK OF FIRE, USE ONLY METAL DUCT WORK.

Install this hood in accordance with all requirements specified.

WARNING

To Reduce The Risk Of Fire Or Electric Shock, Do Not Use This Hood With Any External Solid State Speed Control Device.

WARNING

TO REDUCE THE RISK OF A RANGE TOP GREASE FIRE.

- a) Never leave surface units unattended at high settings. Boilovers cause smoking and greasy spillovers that may ignite. Heat oils slowly on low or medium settings.
- b) Always turn hood ON when cooking at high heat or when flambing food (I.e. Crepes Suzette, Cherries Jubilee, Peppercorn Beef Flambe').
- c) Clean ventilating fans frequently. Grease should not be allowed to accumulate on fan or filter.
- d) Use proper pan size. Always use cookware appropriate for the size of the surface element.

WARNING

TO REDUCE THE RISK OF INJURY TO PERSONS, IN THE EVENT OF A RANGE TOP GREASE FIRE, OBSERVE THE FOLLOWING:

- a) SMOTHER FLAMES with a close-fitting lid, cookie sheet, or other metal tray, then turn off the gas burner or the electric element. **BE CAREFUL TO PREVENT BURNS.** If the flames do not go out immediately, **EVACUATE AND CALL THE FIRE DEPARTMENT.**
- b) **NEVER PICK UP A FLAMING PAN** - you may be burned.
- c) **DO NOT USE WATER**, including wet dishcloths or towels - a violent steam explosion will result.
- d) Use an extinguisher **ONLY** if:
 - 1) You know you have a class ABC extinguisher, and you already know how to operate it.
 - 2) The fire is small and contained in the area where it started.
 - 3) The fire department is being called.
 - 4) You can fight the fire with your back to an exit.

OPERATION

a. Always leave safety grills and filters in place. Without these components, operating blowers could catch onto hair, fingers and loose clothing.

The manufacturer declines all responsibility in the event of failure to observe the instructions given here for installation, maintenance and suitable use of the product. The manufacturer further declines all responsibility for injury due to negligence and the warranty of the unit automatically expires due to improper maintenance.

* NOTE: Please check our website for revisions before doing any custom work.

Electrical & Installation requirements

Electrical requirements

IMPORTANT

Observe all governing codes and ordinances.

It is the customer's responsibility:

To contact a qualified electrical installer.

To assure that the electrical installation is adequate and in conformance with National Electrical Code, ANSI/NFPA 70 — latest edition*, or CSA Standards C22.1-94, Canadian Electrical Code, Part 1 and C22.2 No.0-M91 - latest edition** and all local codes and ordinances.

If codes permit and a separate ground wire is used, it is recommended that a qualified electrician determine that the ground path is adequate.

Do not ground to a gas pipe.

Check with a qualified electrician if you are not sure range hood is properly grounded.

Do not have a fuse in the neutral or ground circuit.

IMPORTANT

Save Installation Instructions for electrical inspector's use.

The range hood must be connected with copper wire only.

The range hood should be connected directly to the fused disconnect (Or circuit breaker) box through metal electrical conduit.

Wire sizes must conform to the requirements of the National Electrical Code ANSI/NFPA 70 — latest edition*, or CSA Standards C22.1-94, Canadian Electrical Code Part 1 and C22.2 No. 0-M91 - latest edition** and all local codes and ordinances.

A U.L.- or C.S.A.-listed conduit connector must be provided at each end of the power supply conduit (at the range hood and at the junction box).

Copies of the standards listed may be obtained from:

* National Fire Protection Association Batterymarch Park Quincy, Massachusetts 02269

** CSA International 8501 East Pleasant Valley Road Cleveland, Ohio 44131-5575

Before installing the hood

1. For the most efficient air flow exhaust, use a straight run or as few elbows as possible.
CAUTION: Vent unit to outside of building, only.
2. At least two people are necessary for installation.
3. The hood is fitted with Screws and Drywall Anchors suitable for most surfaces, consult a Qualified Installer, check if they perfectly fit with your cabinet/wall.
4. Do not use flex ducting.
5. COLD WEATHER installations should have an additional backdraft damper installed to minimize backward cold air flow and a nonmetallic thermal break to minimize conduction of outside temperatures as part of the ductwork. The damper should be on the cold air side of the thermal break.
The break should be as close as possible to where the ducting enters the heated portion of the house.
6. Make up air: Local building codes may require the use of Make-Up Air Systems when using Ducted Ventilation Systems greater than specified CFM of air movement.
The specified CFM varies from locale to locale. Consult your HVAC professional for specific requirements in your area.

List of Materials

Parts supplied

- Blower unit housing
- Hood canopy
- Stainless steel mesh filter
- Halogen light bulb x 2
- Duct covers
- Hardware Packet:
 - Duct Cover support bracket (3 pieces to assemble)
 - Allen Wrench
 - Lower support bracket
 - Template
 - Use, Care and Installation Guide
 - Warranty
 - 10x50 drywall anchors + screws x 2 (To attach duct cover support bracket)
 - 4x8 screws x 4 (To assemble Duct cover support bracket)
 - 5x45 screws x 5 (2 To attach duct cover support bracket + 2 to attach lower support bracket + 1 to attach blower unit)
 - 6,5x3,5 screws x 8 (To attach hood canopy to blower unit housing)
 - 2,9x6,5 screws x 4 (To attach duct cover)
 - Cloth

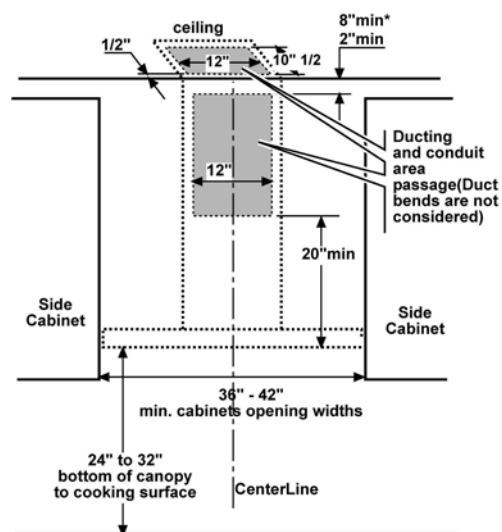
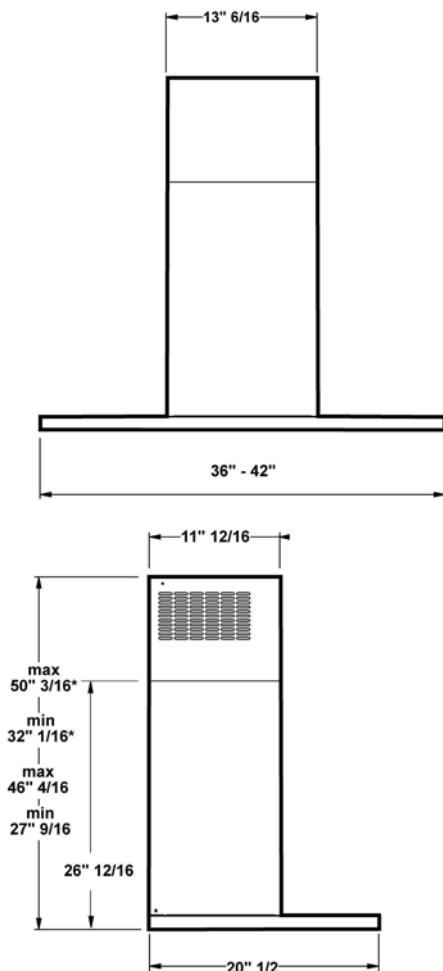
Parts not supplied

- Duct, conduit and all tools required for installation.
- **Ductless Recirculating Kit**
To be used only in the **Ductless (Recirculating) version**
includes: charcoal filter, charcoal filter support and fixing bracket, deflector
- **Internal blower**
To be used only in case of Internal blower installation.
- **In-line blower**
To be used only in case of in-line blower installation
- **Noise reduction sponge**
Note: may be already included on internal/in-line blower package.

CAUTION

To reduce the risk of fire and electric shock, install this rangehood only with integral blowers mod. EBI-600 rated 120V 60Hz 450W or with remote blowers mod. EBN-1100 rated 120V 60Hz 900W, manufactured by Elica.

Dimensions and Clearances



* Ductless (Recirculating) version ONLY
Note: if necessary order the proper duct cover extension kit.

Ducting Options and Examples

Closely follow the instructions set out in this manual.

All responsibility, for any eventual inconveniences, damages or fires caused by not complying with the instructions in this manual, is declined.

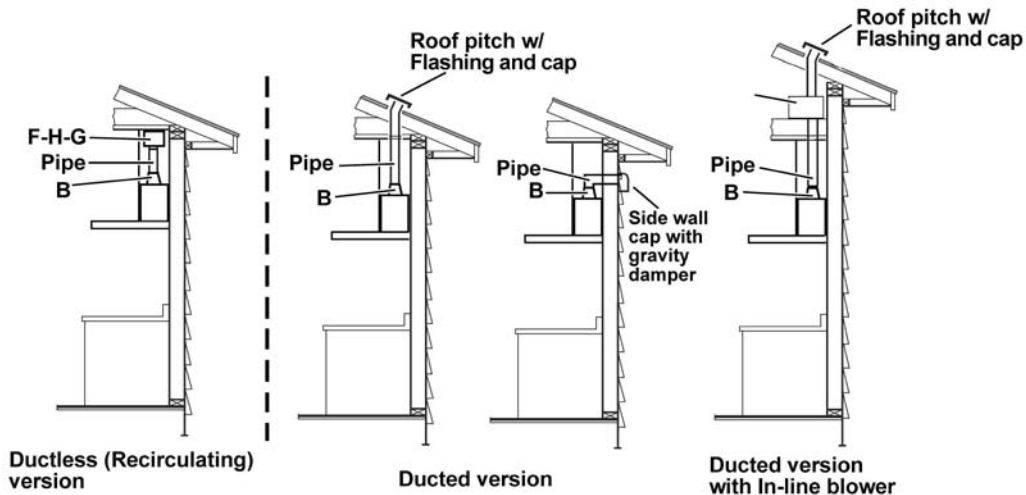
Venting methods

The hood is equipped with a transition **B** for discharge of fumes to the outside (**Ducting version**).

Should it not be possible to discharge cooking fumes and vapour to the outside, the hood can be used in the **Ductless (Recirculating) version**. Attach a charcoal filter and the deflector **F** on the duct cover support bracket **G**. Fumes and vapors are recycled through the top grille **H** by means of a duct connected to the transition **B** and the transition mounted on the deflector **F**.

NOTE: For ductless (Recirculating) version only: purchase the Ductless Recirculating Kit.

Minimum Duct Size (Ducting/Ductless version): 8" Round Pipe.



Preparation

Do not cut a joist or stud unless absolutely necessary. If a joist or stud must be cut, then a supporting frame must be constructed.

Fittings material is provided to secure the hood to most types of walls/ceilings.

However, a qualified technician must verify suitability of the materials in accordance with the type of wall/ceiling.

Before making cutouts, make sure there is proper clearance within the ceiling or wall for exhaust vent.

Hood installation height above cooktop is the users preference. The lower the hood is above the cooktop, the more efficient the capturing of cooking odors, grease and smoke.

The hood shall be installed at 24" minimum to 32" above the countertop.

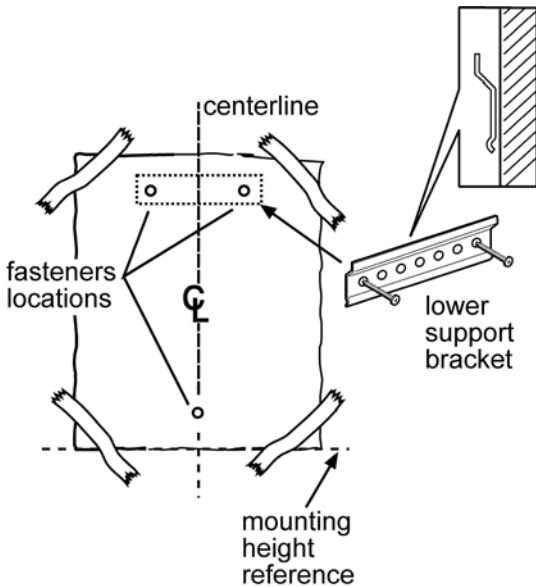
Check your ceiling height and the hood height maximum before you select your hood.

Installation

Assembling the duct cover support bracket (3 parts):

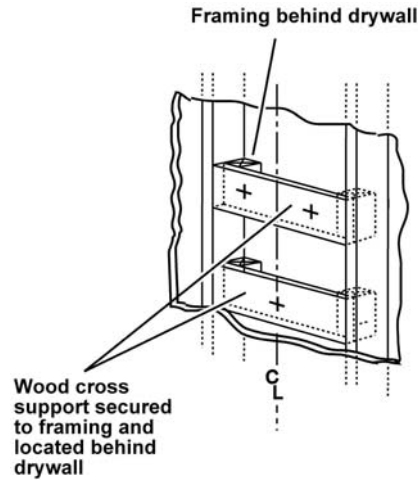
The three parts should be fixed with 4 screws, the support extension is adjustable and should correspond to the internal width of the upper duct cover.

1. If possible, disconnect and move freestanding or slide-in range from cabinet opening to provide easier access to rear wall. Otherwise put a thick, protective covering over countertop, cooktop or range to protect from damage and debris. Select a flat surface for assembling the unit. Cover that surface with a protective covering and place all canopy hood parts and hardware in it.
2. Determine and mark the centerline on the wall where the canopy hood will be installed.
3. Select a mounting height comfortable for the user and mark on wall.
4. Tape template, matching center-line and hood bottom as shown in Figure below.
5. Place the lower support bracket on the template making it coincide with the outlined rectangle, mark center of two fastener location and one lower fastener location then remove template.



6. Mark wall with horizontal line 1" above highest and 1" below lowest fastener location.
7. Find studs behind drywall by tapping wall or using a stud finder. Mark the center of the studs with a vertical line to the right and left of the marked fastener location.

8. **Note:** All fastener location must span the studs otherwise proceed as follows:
Cutout drywall along marked lines. Install wood blocking between studs and make sure it is flush with existing stud front. Make sure all mounting screws will anchor to added studs. Replace drywall and refinish.



9. Determine and make all necessary cuts in the wall for the vent system. Install the vent system before the canopy hood. See „Venting methods“ and „Dimensions and clearance“ paragraphs.
Note - for Ductless - recirculating - installations: Vent system is not required.

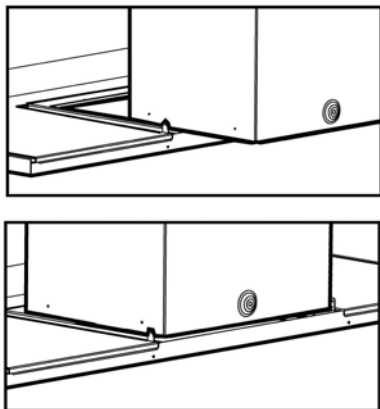
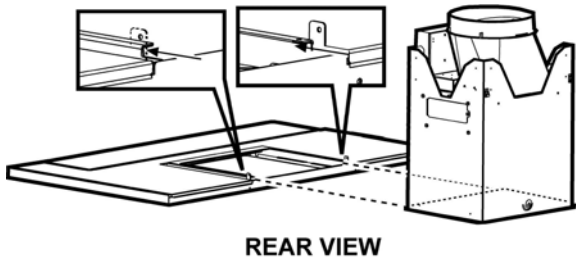
10. Determine the required height for the conduit and cut a 1-1/4" (3.2 cm) hole at this location. Run wires through hole according the National Electrical Code or CSA Standards and local codes and ordinances.
Note: If a In-line blower installation is required/needed, then provide an additional hole/conduit.

There must be enough power supply cable from the fused disconnect (Or circuit breaker) box to make the connection in the hood's Junction box/es.

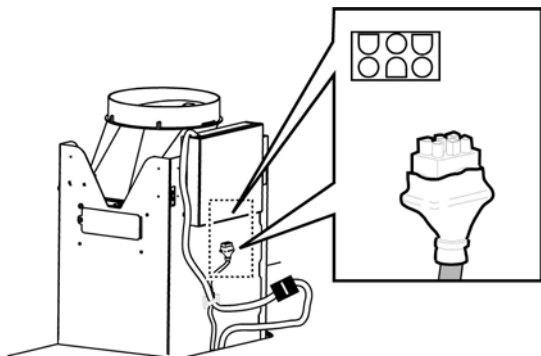
Use caulking to seal all openings.
Do Not turn on power until installation is completed.

11. Remark center line and hood bottom on same location as before and tape template on wall as in step 4 above.
12. Mount the lower support bracket with wood screws (Supplied in mounting hardware kit) on locations marked on template, then remove template.
13. Install duct cover support bracket to wall flush to ceiling with drywall anchors supplied (the duct cover support bracket should be installed about 1/8" (3mm) away from the ceiling).
For Ductless (Recirculating) installations
Install the deflector (Available as an extra kit) under the duct cover support bracket.
14. **Note:** disregard this step if intending to install a in-line blower.
Purchase and install the Internal blower (See paragraph „Before installing the hood - Parts not supplied“ for model reference).

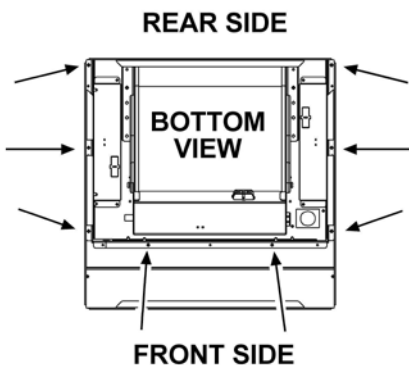
15. If supplied dismantled for shipping, assemble the lower part of the hood with the internal blower housing:
- Remove the grease filter (See also Care & Use section - Charcoal filter).
 - Rest the internal blower housing on a flat surface and thread completely the lower part of the hood onto it.



- c. Connect all cables:



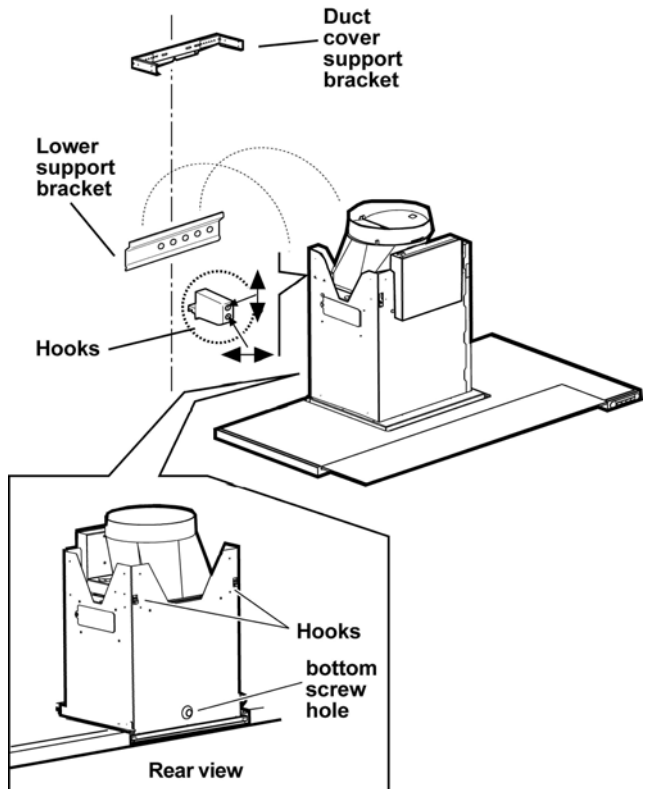
- d. Fasten the hood to the motor unit using 8 screws from the bottom.



16. Hang hood with the 2 mounting hooks.

WARNING
Excessive Weight Hazard - Use two or more people to move and install range hood. Failure to do so can result in back or other injury.

17. Level the appliance, using a carpenters level across bottom of hood with leveling screws in mounting hooks.
18. Secure hood with 1 screw on bottom.



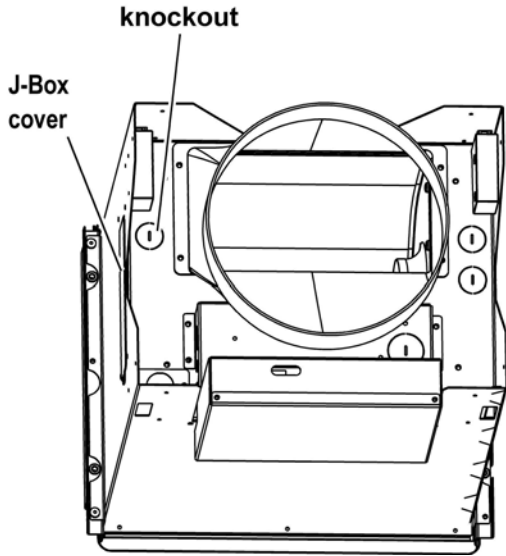
19. Connect ducting to transition. Seal with duct tape. **Do not use duct smaller than the transition.** For Ductless - recirculating - installations only: provide and install a duct to connect hood transition to deflector (The deflector is available as an extra kit).

20. Electrical connection

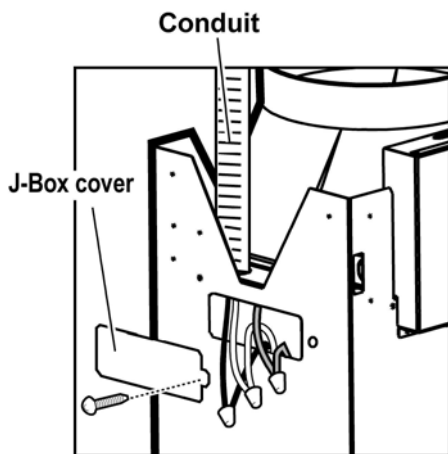
WARNING
Electrical Shock Hazard
Warning: Turn off power circuit at the service panel before wiring this unit.
120 VAC, 15 or 20 Amp circuit required.

ELECTRICAL GROUNDING INSTRUCTIONS
 THIS APPLIANCE IS FITTED WITH AN ELECTRICAL JUNCTION BOX WITH 3 WIRES, ONE OF WHICH (GREEN/YELLOW) SERVES TO GROUND THE APPLIANCE. TO PROTECT YOU AGAINST ELECTRIC SHOCK, THE GREEN AND YELLOW WIRE MUST BE CONNECTED TO THE GROUNDING WIRE IN YOUR HOME ELECTRICAL SYSTEM, AND IT MUST UNDER NO CIRCUMSTANCES BE CUT OR REMOVED.
Failure to do so can result in death or electrical shock.

Facing the front of the range hood, remove the left knockout and the Junction box cover and install the conduit connector (cULus listed) in junction box.



Run 3 wires; black, white and green, according to the National Electrical Code and local codes and ordinances, in 1/2" conduit from service panel to junction box.



Connect black wire from service panel to black or red in junction box, white to white and green to green-yellow.

Close and secure junction box cover.

21. Note: disregard this step if the hood has been fitted with an internal blower.
Purchase and install a In-line blower (See paragraph „Before installing the hood - Parts not supplied“ for model reference).

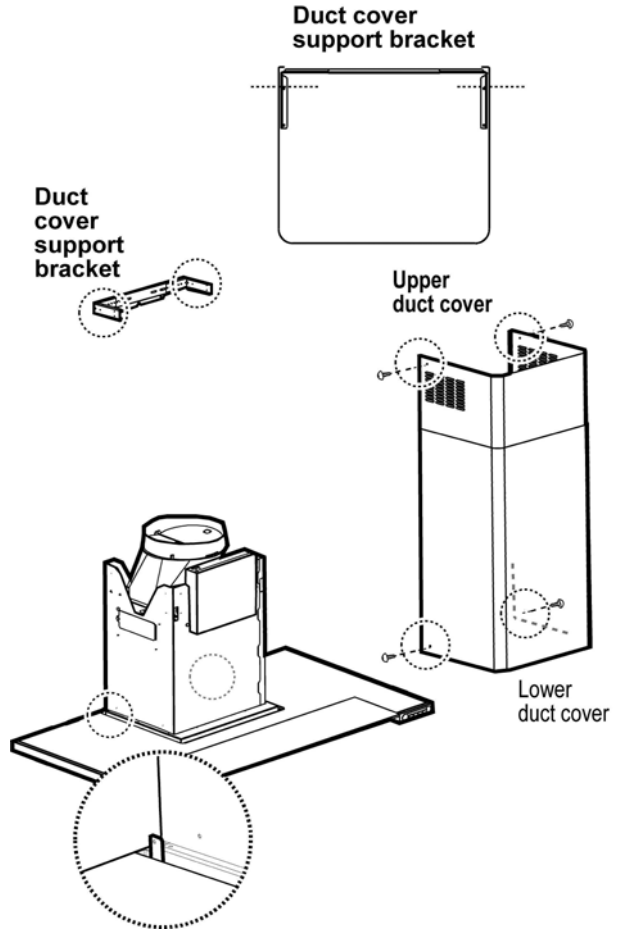
22. For Ductless (recirculating) installations
Install one charcoal filter (Available as an extra kit).

23. Check all light bulbs to make sure they are secure in their sockets.
Turn power (On) in service panel.
Check lights and blower operation.

24. Install filters.

25. Install duct cover with 4 screws.

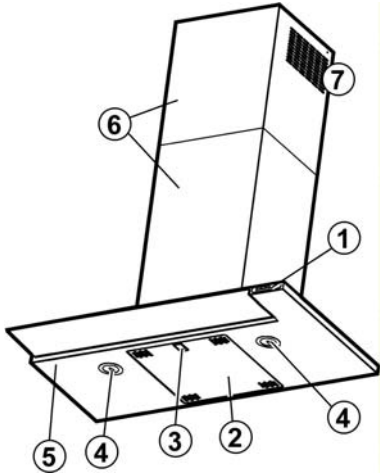
Note: Upper Duct Cover may be placed upside down to hide (or unhide) louver holes.



If range hood does not operate:

- Check that the circuit breaker is not tripped or the house fuse blown.
- Disconnect power supply. Check that wiring is correct.

Description of the hood & Controls



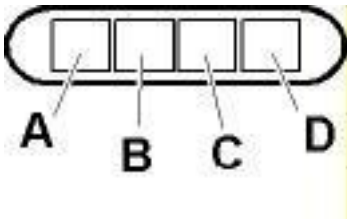
- 1 Control panel
- 2 Grease filter
- 3 Grease filter release handle
- 4 Halogen lamp (Position and number of lamps may vary)
- 5 Hood canopy
- 6 Duct cover
- 7 Louver holes (Ductless configuration)

Controls

Use the high suction speed in cases of concentrated kitchen vapours. It is recommended that the cooker hood suction is switched on for 5 minutes prior to cooking and to leave in operation during cooking and for another 15 minutes approximately after terminating cooking.

Note: Hood retains last speed setting when aspiration switch is turned off.

Description of control panel



- A. on/off light switch
- B. on/off aspiration switch and minimum power selection
- B+C. medium power selection aspiration switch
- B+D. maximum power selection aspiration switch

Maintenance

ATTENTION!

Before performing any maintenance operation, isolate the hood from the electrical supply by switching off at the connector and removing the connector fuse.

Or if the appliance has been connected through a plug and socket, then the plug must be removed from the socket.

Cleaning

The cooker hood should be cleaned regularly (at least with the same frequency with which you carry out maintenance of the fat filters) internally and externally. Clean using the cloth dampened with neutral liquid detergent. Do not use abrasive products. **DO NOT USE ALCOHOL!**

Warning: Failure to carry out the basic cleaning recommendations of the cooker hood and replacement of the filters may cause fire risks.

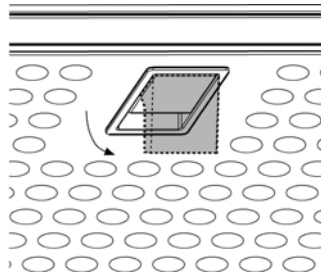
Therefore, we recommend observing these instructions.

Grease Filter

Traps cooking grease particles.

This must be cleaned once a month using non aggressive detergents, either by hand or in the dishwasher, which must be set to a low temperature and a short cycle. When washed in a dishwasher, the grease filter may discolour slightly, but this does not affect its filtering capacity.

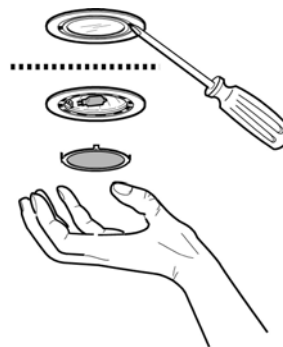
To remove the grease filter, pull the spring release handle.



Replacing the light bulb

Disconnect the hood from the electricity.

Warning! Prior to touching the light bulbs ensure they are cooled down.



1. Using a flat head screwdriver or equivalent tool, carefully pry loose the light cover.
2. Remove the damaged light and replace with a new 12 Volt, 20 Watt (Maximum) halogen light made for a G-4 base **SUITABLE FOR USE IN OPEN LUMINAIRES**. Follow package directions and do not touch new light with bare hands.
3. Reinstall the light cover. (it will snap shut).

If the lights do not work, make sure that the lamps are fitted properly into their housings before you call for technical assistance.

French

Sommaire

Avis de sécurité important	12
Exigences électriques et exigences d'installation	13
Exigences électriques	13
Avant d'installer la hotte	13
Liste des pièces	14
Pièces fournies	14
Pièces non fournies.....	14
Dimensions et Dégagement	14
Exemples et possibilités de positionnement des conduits	15
Méthodes de ventilation	15
Préparation	15
Installation	16
Description de la hotte et des commandes	19
Commandes.....	19
Entretien	19
Nettoyage.....	19
Filtre à graisse	19
Remplacement des ampoules.....	19

**APPROUVÉ POUR LES APPAREILS DE TYPE RÉSIDENTIEL
POUR UNE UTILISATION RÉSIDENTIELLE SEULEMENT
LISEZ CES INSTRUCTIONS ET CONSERVEZ-LES**

VEUILLEZ LIRE CES INSTRUCTIONS AU COMPLET AVANT DE COMMENCER.

L'INSTALLATION DE L'APPAREIL DOIT RESPECTER TOUS LES CODES EN VIGUEUR.

IMPORTANT : Conservez ces instructions afin de pouvoir les remettre à l'inspecteur-électricien de votre région.

INSTALLATEUR : Veuillez laisser ces instructions avec l'appareil pour le propriétaire.

PROPRIÉTAIRE : Veuillez conserver ces instructions pour pouvoir vous y référer plus tard.

Avertissement de sécurité : Coupez l'alimentation du circuit dans le panneau électrique et verrouillez le panneau avant de raccorder les fils de cet appareil.

Exigence : 120 V c.a., 60 Hz circuit de dérivation de 15 V c.a., 20 Hz, de 15 ou 20 A.

LISEZ CES INSTRUCTIONS ET CONSERVEZ-LES

Avis de sécurité important

ATTENTION

UTILISER CET APPAREIL À DES FINS DE VENTILATION GÉNÉRALE SEULEMENT. **NE PAS UTILISER CET APPAREIL POUR ÉVACUER DES MATÉRIAUX OU DES VAPEURS DANGEREUX OU EXPLOSIFS.**

AVERTISSEMENT

POUR RÉDUIRE LES RISQUES D'INCENDIE, DE CHOC ÉLECTRIQUE ET DE BLESSURE, RESPECTER LES DIRECTIVES SUIVANTES :

- A. Utiliser cet appareil uniquement aux fins prévues par le fabricant. Si vous avez des questions à propos de l'appareil, communiquez avec le fabricant.
- B. Avant de faire l'entretien de l'appareil ou de le nettoyer, coupez l'alimentation dans le panneau électrique et verrouillez le panneau en bloquant le dispositif permettant d'empêcher d'activer l'alimentation accidentellement. S'il n'est pas possible de verrouiller l'accès au panneau, fixez une étiquette très voyante au panneau électrique.
- C. Une personne qualifiée doit effectuer l'installation et le câblage des fils électriques en conformité avec tous les codes et toutes les normes, y compris la cote de résistance au feu.
- D. Il est important de prévoir suffisamment d'air pour assurer une bonne combustion de l'équipement de chauffe et l'évacuation adéquates des gaz par le conduit de cheminé afin de prévenir les refoulements d'air. Respectez les directives et les normes de sécurité des fabricants de l'équipement de chauffage, comme celles publiées par la National Fire Protection Association (NFPA), la American Society for Heating, Refrigeration and Air Conditioning Engineers (ASHRAE) et le code des autorités de votre région.
- E. Au moment de couper ou de percer un mur ou un plafond, assurez-vous de ne pas endommager la filerie électrique ou tout autre accès à un service public.
- F. Il faut toujours évacuer à l'extérieur les systèmes à conduit.

ATTENTION

Pour réduire les risques d'incendie et évacuer l'air correctement, assurez-vous que le conduit mène à l'extérieur; il ne faut pas évacuer l'air dans l'espace entre les murs, dans les plafonds, dans les greniers, les vides sanitaires ou les garages.

AVERTISSEMENT

POUR RÉDUIRE DES RISQUES D'INCENDIE, UTILISEZ UNIQUEMENT DES CONDUITS EN MÉTAL.

Installez cette hotte en respectant toutes les exigences mentionnées.

AVERTISSEMENT

Pour réduire les risques d'incendie et de choc électrique, n'utilisez pas cette hotte avec un contrôleur de vitesse à semi-conducteurs.

AVERTISSEMENT

POUR RÉDUIRE LES RISQUES D'INCENDIE DE GRAISSE SUR LES CUISINIÈRES.

- a) Ne laissez jamais la cuisinière sans surveillance lorsqu'elle est réglée à une haute température. Les débordements par bouillonnement causent de la fumée et des débordements de gras qui peuvent s'enflammer. Faites chauffer l'huile lentement, à une température basse ou moyenne.
- b) Faites toujours fonctionner la hotte lorsque vous utilisez la cuisinière à une haute température ou que vous faites flamber des aliments (P. ex. : crêpes Suzette, cerises jubilées, bœuf au poivre flambé).
- c) Nettoyez les hélices de ventilation fréquemment. Il ne faut pas que la graisse s'accumule sur les filtres ou les hélices.
- d) Utilisez le bon format de casserole. Utilisez toujours un chaudron de taille approprié à l'élément de la cuisinière.

Exigences électriques et exigences d'installation

Exigences électriques

IMPORTANT

Respectez tous les codes et les ordonnances en vigueur.

Le client a la responsabilité de :

Contactez un électricien-installateur.

Vérifier que l'installation électrique est adéquate et conforme avec le Code national de l'électricité, ANSI/NFPA 70 (la plus récente édition*), ou les normes C22.1-94, Code canadien de l'électricité, Partie 1 et C22.2 No.0-M91 (La plus récente édition**) de la CSA, ainsi que tous les codes et les ordonnances de votre région.

Si le code le permet et que vous utilisez un fil de mise à la terre distinct, il est recommandé de faire vérifier le chemin du fil par un électricien.

Ne pas mettre l'appareil à la terre sur une conduite de gaz. Consultez un électricien qualifié si vous n'êtes pas certain que la hotte est mise à la terre correctement. N'installez pas un fusible dans le circuit neutre ou le circuit de mise à la terre.

IMPORTANT

Conservez ces instructions afin de pouvoir les remettre à l'inspecteur-électricien.

La hotte doit être câblée uniquement à l'aide de fils de cuivre.

Il faut raccorder la hotte directement à une boîte à fusible ou à un disjoncteur par l'entremise d'une canalisation électrique en métal.

Le calibre de fil doit être conforme aux exigences du Code national de l'électricité, ANSI/NFPA 70 (La plus récente édition*), ou les normes C22.1-94, Code canadien de l'électricité, Partie 1 et C22.2 0-M91 (La plus récente édition**) de la CSA, ainsi que tous les codes et les ordonnances de votre région.

Il faut prévoir un connecteur de canalisation approuvé par l'UL ou la CSA à chaque extrémité de la canalisation d'alimentation (À la hotte et à la boîte de jonction).

Vous pouvez obtenir un exemplaire des normes indiquées en vous adressant à :

* La National Fire Protection Association, Batterymarch Park
Quincy, Massachusetts, 02269

** La CSA International, 8501 East Pleasant Valley Road,
Cleveland, Ohio, 44131-5575

Avant d'installer la hotte

1. Pour assurer la ventilation la plus efficace possible, installez la conduite en ligne droite ou avec le moins de coudes possibles.
ATTENTION : La sortie de la conduite de ventilation doit donner sur l'extérieur.
2. Deux personnes sont nécessaires pour effectuer l'installation.
3. La hotte comporte des vis et des ancrages pour mur sec adaptés à la plupart des types de surface; consultez un installateur qualifié pour vous assurer que la quincaillerie fournie est adaptée à votre type de mur ou d'armoire.
4. N'utilisez pas de conduit flexible.
5. Dans le cas des endroits sujets aux TEMPÉRATURES FROIDES, il faut installer un clapet de contre-tirage supplémentaire afin de minimiser le retour d'air froid et un isolant thermique non métallique afin de minimiser la conduction de la température extérieur dans le conduit. Il faut placer le clapet du côté de l'air froid de l'isolant thermique. L'isolant doit être placé le plus près possible de l'endroit où le conduit entre dans la partie chauffée de la maison.
6. Air d'appoint : Le code du bâtiment de votre région peut exiger l'utilisation d'un système d'air d'appoint si vous utilisez un système de ventilation à conduit dont le mouvement d'air dépasse un certain nombre de CFM. Le nombre de pi³/min varie d'une région à l'autre. Consultez un professionnel de CVC pour connaître les exigences précises de votre région.

Exemples et possibilités de positionnement des conduits

Suivez à la lettre les directives présentées dans ce manuel.

Le fabricant refuse toute responsabilité en ce qui a trait à tout préjudice, dommage ou incendie causé par la non observation des directives contenues dans le présent manuel.

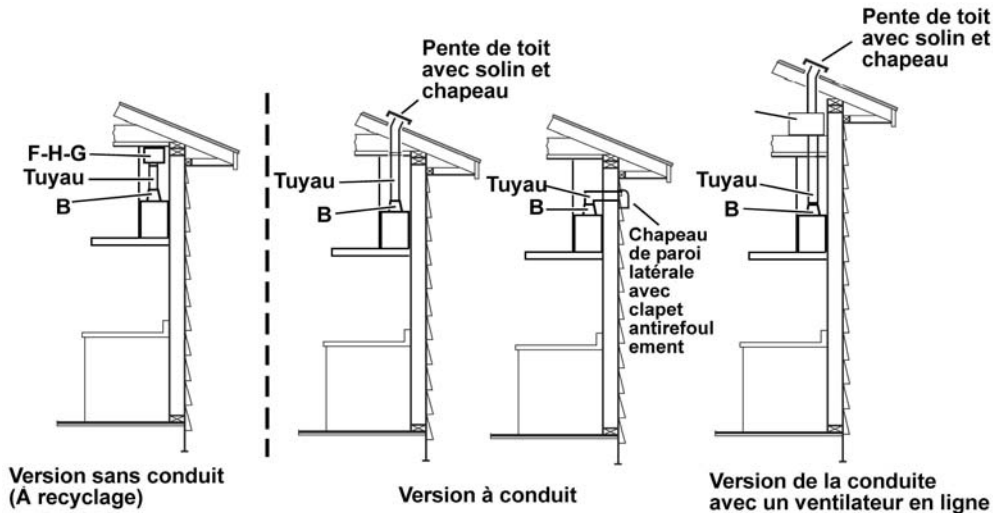
Méthodes de ventilation

La hotte est dotée d'une transition **B** afin d'évacuer les vapeurs à l'extérieur (**version à conduit**).

S'il s'avère impossible d'évacuer la fumée et les vapeurs de cuisson à l'extérieur, il est possible de transformer la hotte en version **sans conduit (Recyclage)** Fixer un filtre au charbon et le déflecteur **F** sur le support de soutien de couvercle de conduit **G**. La fumée et la vapeur sont recyclées par la grille supérieure **H** par l'entremise d'un conduit raccordé à la transition **B** et à la transition montée sur le déflecteur **F**.

NOTE : dans le cas de la version sans conduit (À recyclage) seulement : procurez-vous la trousse de conversion en hotte à recyclage.

Diamètre minimum des conduit (Version avec ou sans conduit) : tuyau rond de 8 po.



Préparation

Ne coupez pas une solive ou un montant à moins qu'il soit absolument nécessaire de le faire. Si vous devez couper une solive ou un montant, vous devez construire un cadre de soutien.

La quincaillerie fournie permet de fixer la hotte à la plupart des murs et des plafonds.

Vous devez cependant demander à un technicien qualifié de vérifier la solidité des matériaux selon le type de mur ou de plafond.

Avant de couper, assurez-vous qu'il y a un dégagement suffisant dans le plafond ou le mur pour passer la conduite de sortie.

Vous pouvez déterminer vous-même la hauteur à laquelle vous installez la hotte au dessus de la cuisinière. Plus la hotte est près de la cuisinière, plus elle est efficace à capter les odeurs de cuisson, la graisse et la fumée.

Installez la hotte à une hauteur entre 24po et 32po au dessus de la cuisinière.

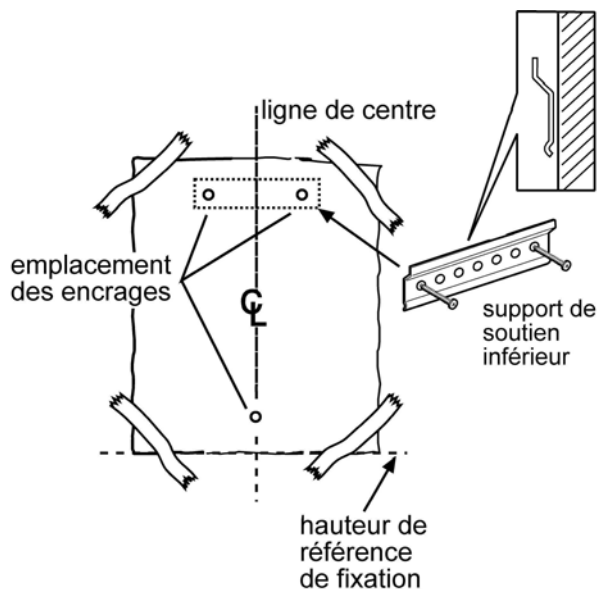
Vérifiez donc la hauteur de votre plafond et la hauteur maximum de la hotte avant de choisir votre modèle de hotte.

Installation

ASSEMBLAGE DU SUPPORT DE SOUTIEN DES COUVERCLES DE CONDUIT (3 PIÈCES À ASSEMBLER)

Fixez les trois pièces à l'aide des quatre vis; l'extension de support est ajustable et sa longueur doit correspondre à la largeur interne du couvercle de conduit supérieur.

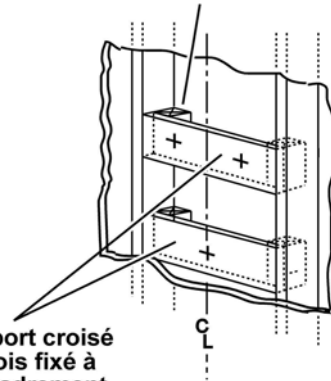
1. Si possible, débranchez la cuisinière et déplacez-la afin d'avoir un meilleur accès au mur arrière. Sinon, placez une couverture épaisse sur le comptoir et la surface de cuisson afin de les protéger des dommages et des saletés. Sélectionnez une surface plane pour assembler l'appareil. Placez une couverture protectrice sur cette surface, puis disposez les pièces de l'avent de la hotte et la quincaillerie.
2. Déterminez et marquez la ligne centrale sur le mur où sera installé l'avent de la hotte.
3. Déterminez une hauteur confortable pour l'utilisateur et marquez-la sur le mur derrière la surface de cuisson.
4. Posez le modèle sur la ligne centrale et le bas de la hotte à l'aide de ruban adhésif, comme il est indiqué à la figure ci-dessous.
5. Placez le support de soutien inférieur sur le modèle, alignez-le sur le rectangle, puis marquez le centre de deux ouvertures de fixation, puis d'une ouverture de fixation inférieure. Retirez ensuite le modèle.



6. Tracez une ligne à 1 po au-dessus des marques d'ouverture de fixation les plus hautes et à 1 po sous la marque d'ouverture de fixation la plus basse.
7. Trouvez les montants du mur en tapant doucement ou en utilisant un détecteur de montant. Marquez le centre des montants à l'aide d'un trait vertical à la droite et à la gauche des marques d'ouverture de fixation.

8. **Note** : Les marques d'ouverture de fixation doivent toutes se trouver entre deux montants, sinon procédez de la façon suivante :
Coupez la cloison sèche en suivant les lignes marquées. Installez perpendiculairement entre deux montants une pièce de bois pour qu'elle soit alignée avec les montants existants. Assurez-vous que les vis de fixation s'enfoncent dans ces nouveaux montants. Remplacez la cloison sèche et refaites le fini de la surface.

Encadrement derrière cloison sèche



Support croisé en bois fixé à l'encadrement et placé derrière la cloison sèche

9. Déterminez les ouvertures nécessaires pour passer les conduits et découpez-les. Installez le système de ventilation avant d'installer l'avent de la hotte. Voir les paragraphes intitulés " Méthodes de ventilation " et " Dimensions et dégagement ".
Note, dans le cas d'une hotte à recyclage : le système de ventilation n'est pas requis.
10. Déterminez la hauteur nécessaire pour le conduit et coupez une ouverture de 1-1/4 po (3,2 cm) à cet endroit. Passez les fils à cet endroit en respectant les normes du code national de l'électricité ou de la CSA, ainsi que les codes et les ordonnances en vigueur dans votre région.
Note : Si vous devez installer un ventilateur en ligne, prévoyez une ouverture de conduit additionnelle.

Il doit y avoir suffisamment de fils d'alimentation de la boîte de fusible ou du disjoncteur désactivé pour raccorder les fils dans la boîte de jonction de la hotte.

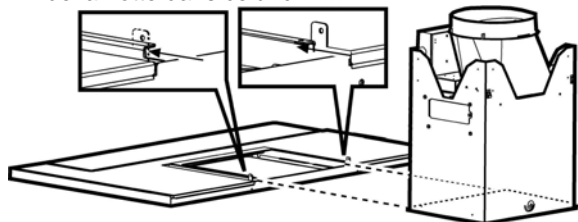
Utilisez du calfeutrage pour sceller toutes les ouvertures. N'activez pas l'alimentation avant que l'installation soit terminée.
11. Retracez la ligne de centre et la ligne de fond de la hotte et remplacez le modèle sur le mur de la façon indiquée à l'étape 4.
12. Fixez le support de soutien inférieur à l'aide de vis à bois (Fournies dans la trousse de quincaillerie de montage) sur les marques tracées sur le modèle, puis enlevez le modèle.
13. Utilisez les ancrages pour cloison sèche pour installer le support de soutien du couvercle de conduit au mur pour qu'il soit appuyé sur le plafond (Le support de soutien du couvercle de conduit doit se trouver à environ 1/8 po (3 mm) du plafond).
Dans le cas de l'installation d'une hotte à recyclage

Installez le déflecteur (Inclus dans la trousse supplémentaire) sous le support de soutien de couvercle de conduit.

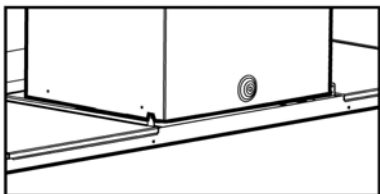
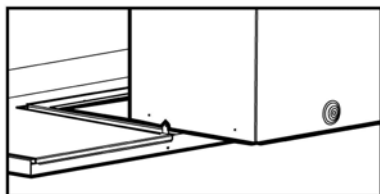
14. Note : ne tenez pas compte de cette étape si vous installez un ventilateur en ligne. Procurez-vous le ventilateur interne et installez-le (Voir le paragraphe intitulé " Avant d'installer la hotte - pièces non incluses " pour obtenir le numéro de modèle).

15. Si vous vous êtes procuré la hotte désassemblée, assemblez la partie inférieure, contenant le boîtier de ventilateur :

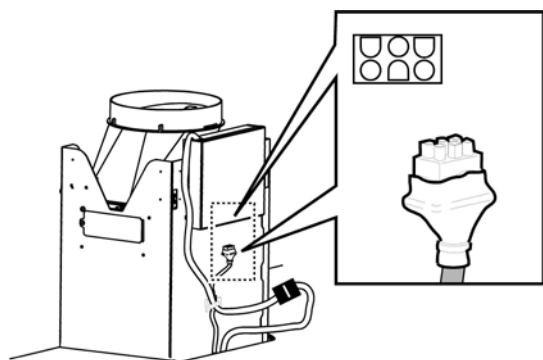
- Retirez le filtre à graisse (Voyez également la section intitulée Entretien et utilisation - Filtre à charbon).
- Placez le boîtier du ventilateur interne sur une surface plane et insérez entièrement la partie inférieure de la hotte dans celui-ci.



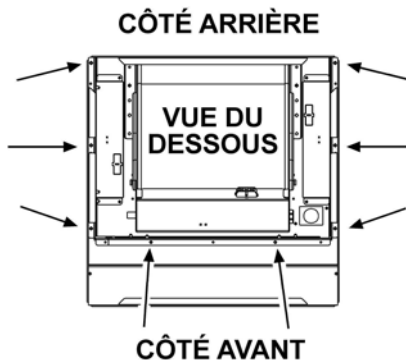
VUE ARRIÈRE



c. Raccordez tous les câbles :



d. Fixez la hotte à l'ensemble moteur à l'aide de huit vis, à partir du fond:



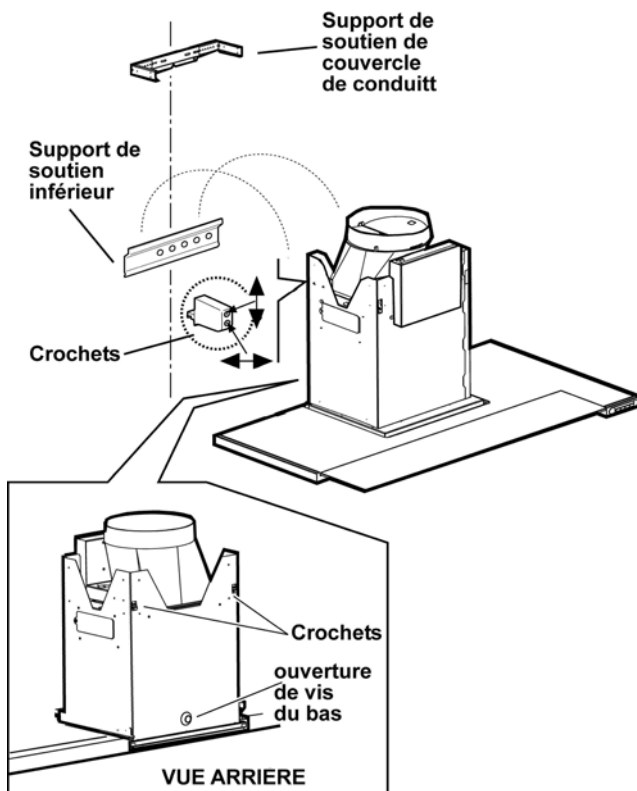
16. Accrochez la hotte sur les deux supports de montage.

AVERTISSEMENT

Danger de poids excessif - Ayez recours à deux personnes pour déplacer et fixer la hotte. Si une seule personne déplace la hotte, elle risque de se blesser, au dos ou ailleurs.

17. Mettez l'appareil à niveau en plaçant un niveau à bulle sur la hotte et en utilisant les vis de mise à niveau du support de montage.

18. Assujettissez la hotte à l'aide d'une vis au bas de la hotte.



19. Raccordez le conduit à la transition. Scellez le joint à l'aide de ruban adhésif en toile. N'utilisez pas un conduit plus petit que la transition. Dans le cas d'une hotte à recyclage seulement : vous devez vous procurer et installer un conduit pour connecter la transition de la hotte et le déflecteur (Offert dans la trousse supplémentaire).

20. Connexion électrique

AVERTISSEMENT

Danger de choc électrique

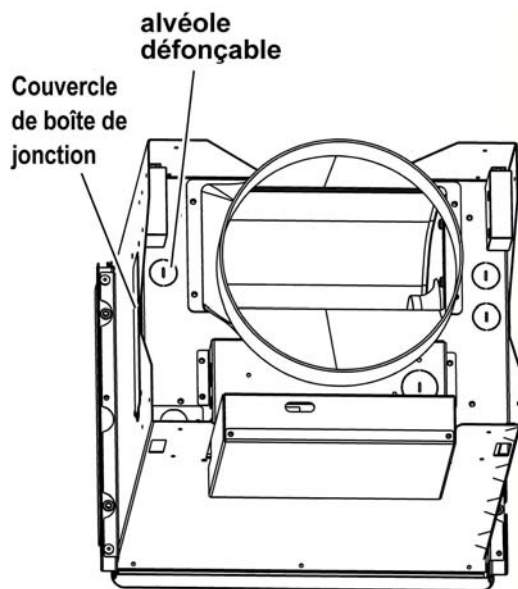
AVERTISSEMENT : Coupez l'alimentation du circuit dans le panneau électrique avant de raccorder les fils de cet appareil.

Un circuit de 120 V c.a., de 15 ou 20 A est requis.

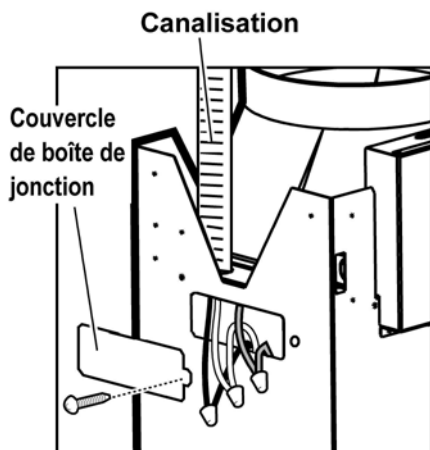
INSTRUCTIONS DE MISE À LA TERRE
CET APPAREIL EST MUNI D'UNE BOÎTE DE JONCTION ÉLECTRIQUE À TROIS FILS, DONT L'UN (VERT/JAUNE) SERT À METTRE L'APPAREIL À LA TERRE. POUR VOUS PROTÉGER CONTRE LES CHOC ÉLECTRIQUES, VOUS DEVEZ RACCORDER LE FIL VERT/JAUNE AU FIL DE MISE À LA TERRE DU SYSTÈME ÉLECTRIQUE DE VOTRE MAISON. EN AUCUNE CIRCONSTANCE CE FIL DOIT ÊTRE COUPÉ OU ENLEVÉ.

Le fait de ne pas respecter cette directive peut entraîner la mort ou un choc électrique.

En faisant face à l'avant de la hotte, retirez l'alvéole défonçable de gauche et le couvercle de la boîte de jonction et installez un connecteur de canalisation (Listé dans cULus) dans la boîte de jonction.



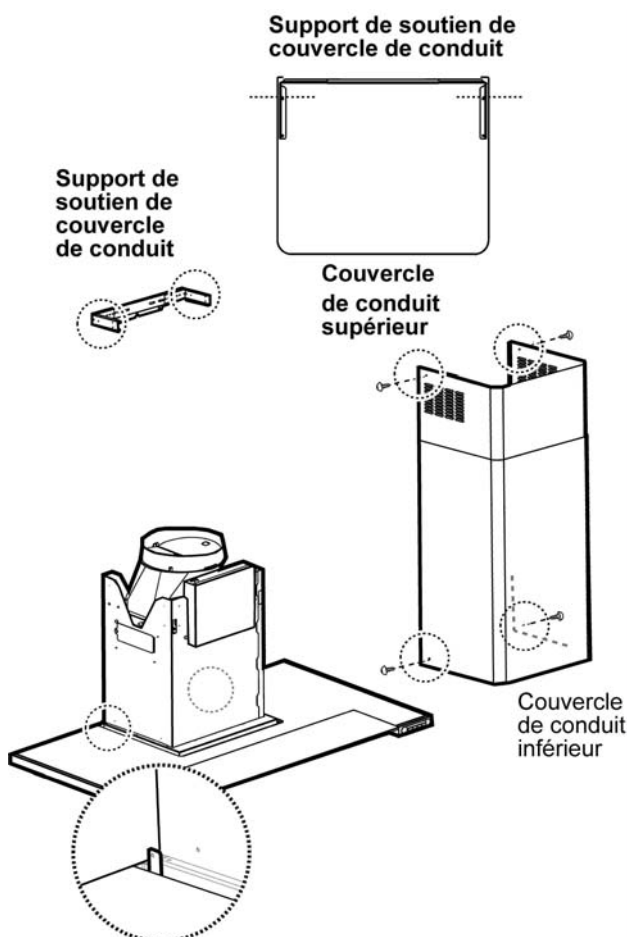
Passez trois fils, le noir, le blanc et le vert, en respectant les normes du code national de l'électricité, ainsi que les codes et les ordonnances en vigueur dans votre région, dans une canalisation de 1/2 po, du panneau de service à la boîte de jonction.



Raccordez le fil noir du panneau de service au fil noir ou rouge de la boîte jonction, le blanc avec le blanc et le vert avec le vert/jaune.

Fermez le couvercle de la boîte de jonction.

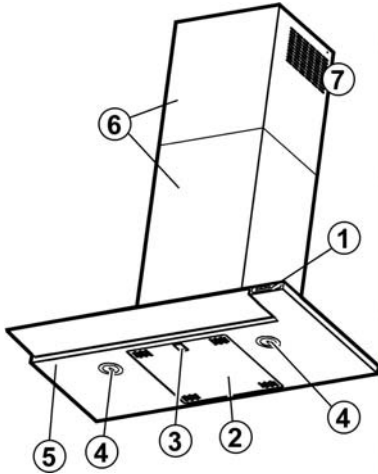
21. **Note** : ne tenez pas compte de cette étape si la hotte comporte un ventilateur interne. Procurez-vous le ventilateur en ligne et installez-le (Voir le paragraphe intitulé " Avant d'installer la hotte - pièces non incluses " pour obtenir le numéro de modèle).
22. Dans le cas de l'installation d'une hotte à recyclage Installez un filtre au charbon (Inclus dans la trousse supplémentaire).
23. Vérifiez toutes les ampoules et assurez-vous qu'elles sont bien fixées dans leur douille. Activez l'alimentation dans le panneau de service. Vérifiez que le système d'éclairage et le ventilateur fonctionnent normalement.
24. Installez les filtres.
25. Installez le couvercle de conduit à l'aide de quatre vis. **Note**: Vous pouvez placer le couvercle de conduit supérieur à l'envers pour cacher (ou dévoiler) les emplacements sans ventilation.



Si la hotte ne fonctionne pas :

- Vérifiez que le disjoncteur ne s'est pas déclenché ou que le fusible n'est pas grillé.
- Débranchez l'alimentation. Vérifiez que les raccords électriques ont été effectués correctement.

Description de la hotte et des commandes

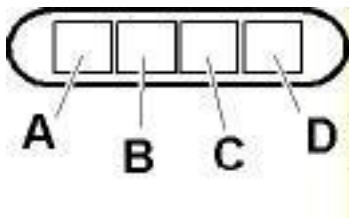


- 1 Panneau de commande
- 2 Filtre à graisse
- 3 Poignée de dégagement du filtre à graisse
- 4 Lampes halogène (La position et le nombre de lampes peut varier)
- 5 Écran anti-vapeur
- 6 Couvercles de conduit
- 7 Sortie d'air (Version sans conduit seulement)

Commandes

Utiliser la puissance d'aspiration maximum en cas de concentration très importante des vapeurs de cuisson. Nous conseillons d'allumer le dispositif d'aspiration 5 minutes avant de commencer la cuisson et de le faire fonctionner encore pendant 15 minutes environ après avoir terminé la cuisson.

Description du panneau de commandes



- A. touche ON/OFF éclairage
- B. touche OFF/ON aspiration et sélection puissance minimum
- B+C. touche sélection puissance d'aspiration moyenne
- B+D. touche sélection puissance d'aspiration maximum

Entretien

Veillez à débrancher la hotte du réseau électrique avant toute intervention sur celle-ci.

Nettoyage

La hotte doit être régulièrement nettoyée à l'intérieur et à l'extérieur (au moins à la même fréquence que pour l'entretien des filtres à graisse). Pour le nettoyage, utiliser un chiffon humidifié avec un détergent liquide neutre. Ne pas utiliser de produit contenant des abrasifs.

NE PAS UTILISER D'ALCOOL!

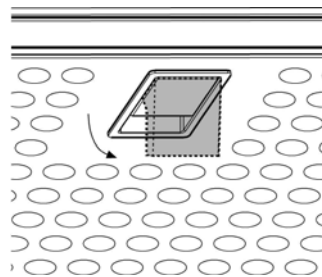
Filtre à graisse

Il retient les particules de graisse issues de la cuisson.

Le filtre doit être nettoyé une fois par mois avec des détergents non agressifs, à la main ou dans le lave-vaisselle à faibles températures et cycle rapide.

Le lavage du filtre anti-graisse métallique au lave-vaisselle peut en provoquer la décoloration. Toutefois, les caractéristiques de filtrage ne seront en aucun cas modifiées.

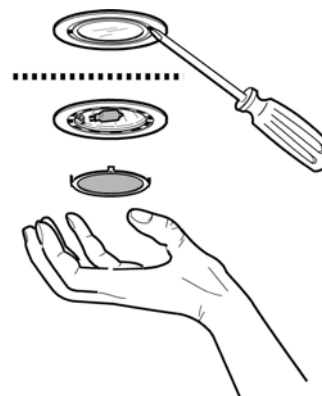
Pour démonter le filtre anti-graisse, tirer la poignée de décrochement à ressort.



Remplacement des ampoules

Débrancher l'appareil du réseau électrique

Attention! Avant de toucher les lampes, assurez-vous qu'elles soient froides.



1. sortir la protection en utilisant un petit tournevis à lame plate ou tout autre outil similaire.
2. Remplacer la lampe endommagée.
Utiliser uniquement des lampes halogènes 12V -20W max - G4, en ayant soin de ne pas les toucher avec les mains.
3. Refermer le plafonnier (fixation par encliquetage).
Dans l'éventualité où l'éclairage ne devait pas fonctionner, vérifier si les lampes ont été introduites correctement dans leur logement, avant de contacter le service après-vente.

Spanish

Contenido

Aviso de seguridad importante	21
Requisitos eléctricos y de instalación	22
Requisitos eléctricos	22
Antes de instalar la campana	22
Lista de materiales.....	23
Piezas suministradas	23
Piezas no suministradas	23
Dimensiones y Espacios libres	23
Tipos de ductos y ejemplos	24
Métodos de ventilación	24
Preparación.....	24
Instalación	25
Descripción de la campana y los controles.....	29
Controles.....	29
Mantenimiento.....	29
Limpieza.....	29
Filtro contra la grasa	29
Sustitución de la bombilla	29

**APROBADO PARA APARATOS DE USO DOMÉSTICO
SÓLO PARA USO DOMÉSTICO
LEA Y GUARDE ESTAS INSTRUCCIONES**

ANTES DE CONTINUAR, LEA LAS INSTRUCCIONES POR COMPLETO.

LA INSTALACIÓN DEBE CUMPLIR TODA LA NORMATIVA LOCAL.

IMPORTANTE: guarde estas instrucciones para su uso por parte del inspector de electricidad local.

INSTALADOR: entregue al propietario estas instrucciones junto con la unidad.

PROPIETARIO: conserve estas instrucciones para futuras consultas.

Advertencia de seguridad: antes de realizar el cableado de este aparato, desactive el circuito de energía eléctrica en el panel de servicio y desbloquee el panel.

Requisito: Circuito auxiliar de CA de 120 V, 60 Hz, 15 ó 20 A

LEA Y GUARDE ESTAS INSTRUCCIONES

Aviso de seguridad importante

PRECAUCIÓN

SÓLO PARA USO DE VENTILACIÓN GENERAL. **NO UTILIZAR PARA EXPULSAR VAPORES O MATERIALES PELIGROSOS O EXPLOSIVOS.**

ADVERTENCIA

PARA REDUCIR EL RIESGO DE FUEGO, DESCARGA ELÉCTRICA O LESIONES PERSONALES, RESPETE LO SIGUIENTE:

- A. Utilice esta unidad solamente en el modo que indica el fabricante. En caso de duda, póngase en contacto con el fabricante.
- B. Antes de reparar o limpiar la unidad, desconecte la alimentación en el panel de servicio y bloquee los medios de desconexión del panel de servicio para evitar la conexión accidental de la alimentación. Si no es posible bloquear los medios de desconexión del panel de servicio, coloque un dispositivo de advertencia que destaque como, por ejemplo, una etiqueta, en el panel de servicio.
- C. La instalación y el cableado eléctrico deben realizarlos personas cualificadas de acuerdo con las normativas y los estándares aplicables, incluida la construcción ignífuga.
- D. Es necesaria una ventilación suficiente para la correcta combustión y expulsión de gases por la salida de humos (Chimenea) del equipo de combustión de carburante para evitar el contratiro. Siga las directrices de fabricantes de equipos de calefacción y los estándares de seguridad como los publicados por la National Fire Protection Association (NFPA), American Society for Heating, Refrigeration and Air Conditioning Engineers (ASHRAE) y las normativas locales.
- E. Al efectuar orificios en una pared o techo, no dañe el cableado eléctrico y otras instalaciones ocultas.
- F. Los sistemas instalados mediante conducto deben tener ventilación con salida al exterior.

PRECAUCIÓN

Para reducir el riesgo de fuego y conseguir una salida del aire correcta, asegúrese de conducir el aire hacia el exterior. No permita que el aire se expulse en espacios situados en el interior de muros, techos, desvanes, sótanos de pequeña altura o garajes.

ADVERTENCIA

PARA REDUCIR EL RIESGO DE FUEGO, UTILICE SOLAMENTE TUBOS METÁLICOS.

Instale esta campana de acuerdo con los requisitos especificados.

ADVERTENCIA

Para reducir el riesgo de fuego o descarga eléctrica, no utilice esta campana con ningún dispositivo externo en estado sólido para el control de la velocidad.

ADVERTENCIA

PARA REDUCIR EL RIESGO DE INCENDIO OCASIONADO POR GRASA:

- a) No deje nunca ninguna unidad externa desatendida y con valores de fuego altos. La cocción puede causar humo o reboses de grasa que pueden prender fuego. Caliente el aceite a fuego lento o medio.
- b) Encienda siempre la campana cuando cocine a una temperatura alta o cuando realice flameados (Por ejemplo, crepes Suzette, cerezas flameadas, ternera a la pimienta flameada).
- c) Limpie con frecuencia los ventiladores. No permita que la grasa se acumule en el ventilador o filtro.
- d) Utilice un tamaño de sartén adecuado. Utilice siempre piezas de batería de cocina adecuadas al tamaño del elemento de superficie.

ADVERTENCIA

PARA REDUCIR EL RIESGO DE LESIONES PERSONALES, EN CASO DE FUEGO OCASIONADO POR GRASA, TENGA EN CUENTA LO SIGUIENTE:

- a) **EXTINGA LAS LLAMAS** con una tapa ajustada, una lámina para hacer galletas u otro tipo de bandeja metálica y apague el quemador de gas o elemento eléctrico. **TENGA CUIDADO PARA EVITAR QUEMADURAS.** Si las llamas no se extinguen inmediatamente, **DESALOJE EL LUGAR Y LLAME A LOS BOMBEROS.**
- b) **NUNCA TOME UNA SARTÉN EN LLAMAS**, podría sufrir quemaduras.
- c) **NO UTILICE AGUA**, incluidas bayetas o toallas húmedas ya que se produciría una violenta explosión de vapor.
- d) Utilice un extintor **SÓLO** si:
 - 1) Sabe que dispone de un extintor de la clase ABC y conoce su funcionamiento.
 - 2) El fuego es pequeño y se encuentra en la misma zona donde se inició.
 - 3) Ha llamado a los bomberos.
 - 4) Puede luchar contra el fuego teniendo una salida a su espalda.

FUNCIONAMIENTO

a. Coloque siempre las rejillas y los filtros de seguridad en su lugar correspondiente. Sin estos componentes, los ventiladores en funcionamiento podrían atrapar su pelo, sus dedos o su ropa.

El fabricante declina toda responsabilidad en caso de fallo de cumplimiento de las instrucciones aquí facilitadas para la instalación, el mantenimiento y el uso adecuado del producto. El fabricante declina además toda responsabilidad por daños ocasionados por negligencia y la garantía de la unidad queda cancelada automáticamente como consecuencia de un mantenimiento incorrecto.

* NOTA: Antes de realizar ningún trabajo personalizado, consulte las revisiones en nuestro sitio Web.

Requisitos eléctricos y de instalación

Requisitos eléctricos

IMPORTANTE

cumpla todas las normativas y ordenanzas gubernamentales.

Es responsabilidad del cliente:

Ponerse en contacto con un instalador eléctrico cualificado. Asegurarse de que la instalación eléctrica es adecuada y en conformidad con National Electrical Code, ANSI/NFPA 70 (última edición*) o CSA Standards C22.1-94, Canadian Electrical Code, Parte 1 y C22.2 No.0-M91 (última edición*) y toda la normativa y las ordenanzas locales.

Si la normativa lo permite y se utiliza un cable de toma a tierra independiente, se recomienda que un electricista cualificado determine si la difracción de onda de tierra es la adecuada.

No ubique la toma a tierra en una tubería de gas.

Si no está seguro de que la campana está correctamente conectada a tierra, consulte a un electricista cualificado. No coloque ningún fusible en el circuito neutral o con vuelta por tierra.

IMPORTANTE

Guarde las instrucciones de instalación para su uso por parte del inspector de electricidad.

La campana debe estar conectada únicamente con hilo de cobre.

La campana debe estar conectada directamente al desconectador con fusible (O disyuntor) mediante canal metálico de cables eléctricos.

Los tamaños de cable deben cumplir los requisitos de la National Electrical Code, ANSI/NFPA 70 (última edición*) o CSA Standards C22.1-94, Canadian Electrical Code, Parte 1 y C22.2 No.0-M91 (última edición*) y toda la normativa y las ordenanzas locales.

Es preciso colocar un conector de canal de cables enumerado en U.L. o C.S.A. en cada extremo del canal de cables de fuente de alimentación (En la campana y en la caja de conexiones).

Se pueden obtener copias de los estándares enumerados en:

* National Fire Protection Association Batterymarch Park Quincy, Massachusetts 02269

** CSA International 8501 East Pleasant Valley Road Cleveland, Ohio 44131-5575

Antes de instalar la campana

1. Para obtener una circulación del flujo de aire más eficaz, utilice un tubo de tramo recto o el menor número posible de tubos acodados.
PRECAUCIÓN: el conducto de ventilación solamente debe tener salida hacia la parte exterior del edificio.
2. Para realizar la instalación, se necesitan al menos dos personas.
3. La campana se ajusta mediante tornillos y anclajes de tabique aislante adecuados para la mayoría de superficies; consulte a un instalador cualificado para comprobar si quedan perfectamente ajustados al armario o a la pared.
4. No emplee tubos flexibles.
5. Las instalaciones en CONDICIONES CLIMÁTICAS FRÍAS deben tener instalado un regulador de contratiro adicional para minimizar el flujo de aire inverso y una rotura térmica no metálica para minimizar la conducción de temperaturas externas como parte de los tubos. El regulador debe encontrarse en la parte de aire frío de la rotura térmica. La rotura debe estar lo más cerca posible al lugar donde los tubos entran en la parte caliente de la casa.
6. Aire limpio: Las normativas locales para edificios pueden requerir el uso de sistemas de aire limpio cuando se utilizan sistemas de ventilación mediante tubos superiores al CFM especificado de movimiento de aire. El CFM especificado varía de una zona a otra. Para conocer los requisitos específicos de su zona, consulte a un profesional de HVAC.

Lista de materiales

Piezas suministradas

- Alojamiento de unidad de ventilador
- Carcasa de la campana extractora
- 1 filtro metálico
- 2 bombillas halógenas
- Cubiertas de tubo
- Paquete con tornillos y elementos metálicos:
Soporte de sujeción de la cubierta de tubo (Montaje de 3 piezas)
1 llave Allen
Soporte de sujeción inferior
Plantilla
Guía de instalación, uso y mantenimiento
Garantía
Paño
4 tornillos 4x8 (Para montar el soporte de sujeción de la cubierta de tubo)
2 anclajes 10x50 + tornillos (Para fijar el soporte de sujeción de la cubierta de tubo)
5 tornillos 5x45 (2 para fijar el soporte de sujeción de la cubierta de tubo, 2 para fijar el soporte de sujeción inferior y 1 para fijar el ventilador)
8 tornillos 6,5x3,5 (Para fijar la carcasa de la campana al alojamiento de unidad de ventilador)
4 tornillos 2,9x6,5 (Para fijar la cubierta de tubo)

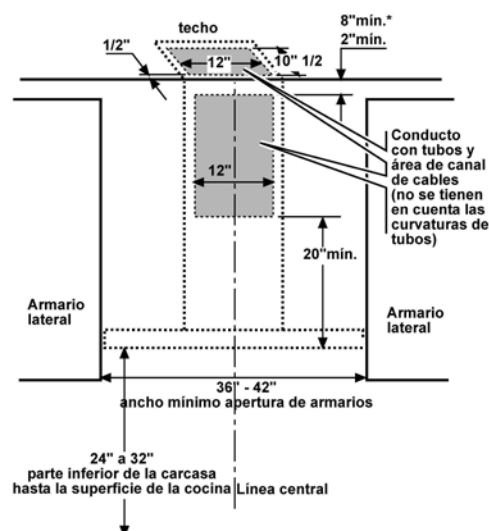
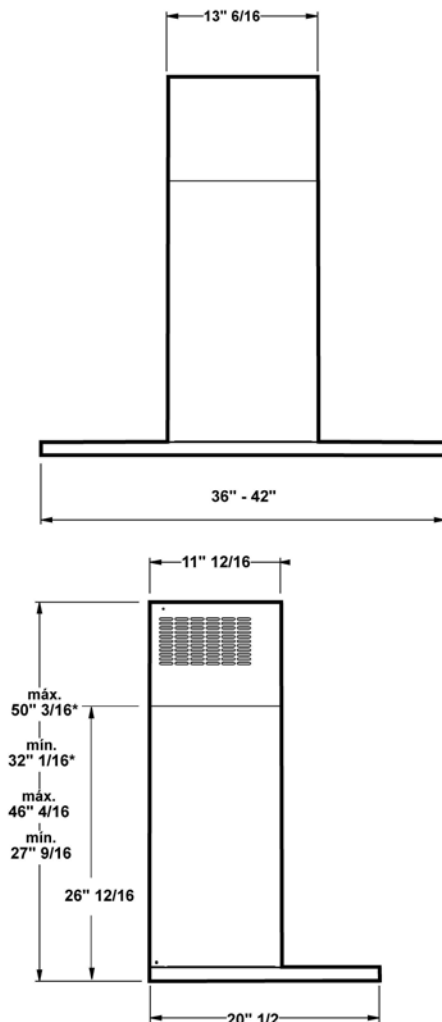
Piezas no suministradas

- Tubos, canal de cables y todas las herramientas necesarias para la instalación.
- **Kit de conversión sin tubos (Recirculación)**
solamente se puede utilizar en la **versión sin tubos (Recirculación)**
incluye: filtro de carbón vegetal, soporte y abrazadera de sujeción de filtro de carbón vegetal, deflector
- **Ventilador interno**
Se utiliza únicamente en caso de instalación de ventilador interno.
- **Ventilador integrado**
Se utiliza únicamente en caso de instalación de ventilador integrado.
- **Espuma para la reducción de ruidos**
Nota: es posible que ya esté incluida en el paquete de ventilador interno o integrado.

PRECAUCIÓN

Para reducir el riesgo de incendio o descarga eléctrica, instale esta campana extractora solamente con el modelo de ventilador integral EBI-600, fabricado por ELICA, con un voltaje nominal de 120V 60 Hz 450 W o con el modelo de ventiladores remotos EBN-1100 con un voltaje nominal de 120 V 60 Hz 900 W, fabricado por Elica.

Dimensiones y Espacios libres



* Ductless (Recirculating) version ONLY
Note: if necessary order the proper duct cover extension kit.

Tipos de ductos y ejemplos

Siga detenidamente las instrucciones expuestas en este manual.

Se declina toda responsabilidad de cualquier inconveniencia, daños o incendios eventuales ocasionados por el incumplimiento de las instrucciones de este manual.

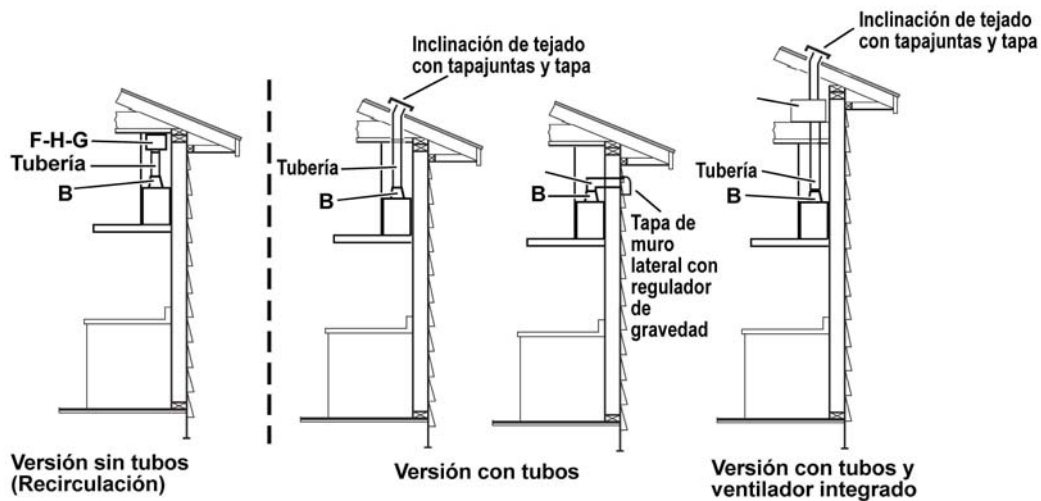
Métodos de ventilación

La campana está equipada con un cambio de sección **B** para la descarga de gases al exterior (**Versión con tubos**).

En caso de que no sea posible la descarga de gases y del vapor procedentes de la cocina al exterior, la campana se puede utilizar en la **versión sin tubos (Recirculación)**. Coloque un filtro de carbono activado y el deflector **F** en el soporte de sujeción de la cubierta de tubo **G**. Los gases y vapores se reciclan a través de la rejilla superior **H** mediante un conducto conectado al cambio de sección **B** y el cambio de sección montado en el deflector **F**.

NOTA: Sólo para versión sin tubos (Recirculación): adquiera el kit de conversión sin tubos.

Tamaño mínimo de tubo (Versión con o sin tubos): Tubería redonda de 8".



Preparación

No corte una vigueta o un perno a menos que sea absolutamente necesario. Si fuera necesario efectuar el corte, deberá construirse un marco de soporte.

Se suministra el material de ajuste necesario para fijar la campana a la mayoría de tipos de muro o techo.

No obstante, un técnico cualificado debe comprobar la idoneidad de los materiales de acuerdo con el tipo de muro o techo.

Antes de efectuar ningún corte, asegúrese de existe espacio libre adecuado en el techo o muro para la expulsión del aire.

La preferencia de la altura de instalación de la campana de los usuarios es por encima de la cocina. Cuanto más cerca esté la campana de la cocina, mas eficaz resultará la captura de olores, grasa y humos.

La campana debe instalarse a una distancia mínimo de entre 24" y 32" sobre la encimera.

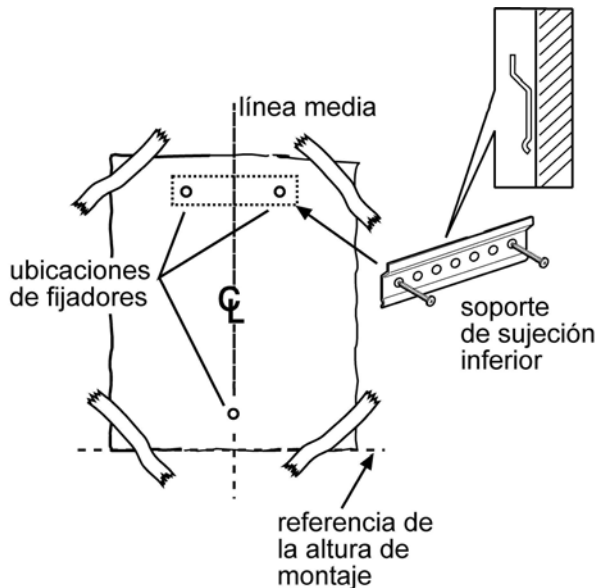
Antes de seleccionar la campana, compruebe la altura del techo y la altura máxima de la campana.

Instalación

MONTAJE DEL SOPORTE DE SUJECCIÓN DE LA CUBIERTA DE TUBO (3 PIEZAS):

Las tres piezas deben fijarse con 4 tornillos, la extensión de soporte se puede ajustar y debe corresponder con el ancho del parte interna de la cubierta de tubo superior.

1. Si es posible, desconecte y mueva individualmente o deslice la cocina desde la apertura del armario para permitir un acceso fácil al muro posterior. De lo contrario, coloque una cubierta protectora gruesa sobre la encimera o la cocina para protegerla de daños o suciedad. Seleccione una superficie plana para montar la unidad. Coloque una cubierta protectora sobre la superficie y coloque en ella todas las piezas de la carcasa de la campana, tornillos y elementos metálicos.
2. Determine y marque la línea central en el muro donde se instalará la carcasa de la campana.
3. Seleccione una altura de montaje confortable para el usuario y realice una marca en el muro situado detrás de la cocina.
4. Coloque la plantilla de manera que coincida con la línea central y la parte inferior de la campana tal y como se muestra en la siguiente figura.
5. Coloque el soporte de sujeción inferior en la plantilla haciendo que coincida con el rectángulo trazado, marque el centro de dos ubicaciones de fijación y una ubicación de fijación inferior y, después retire la plantilla.

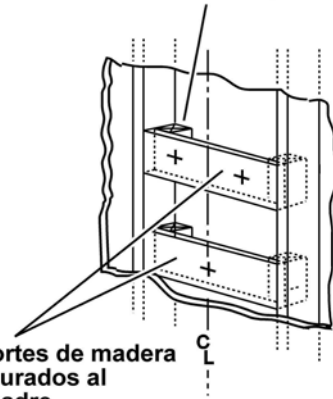


6. Marque la pared con una línea horizontal 1" por encima de la ubicación de fijación más alta y 1" por debajo de la ubicación de fijación más baja.
7. Localice los pernos detrás del tabique aislante o mediante una herramienta destinada a tal fin. Marque el centro de los pernos con una línea vertical a la derecha e izquierda de la ubicación de fijación marcada.

8. **Nota:** toda ubicación de fijación debe extenderse hasta los pernos; de lo contrario proceda de la siguiente manera:

Realice un corte en el tabique aislante a lo largo de las líneas marcadas. Instale lo necesario entre los pernos firmemente emparejados con la parte frontal del perno existente. Asegúrese de que los tornillos de montaje quedan anclados a los pernos agregados. Reemplace y renueve el acabado del tabique aislante.

Encuadre detrás de la pared



Soportes de madera asegurados al encuadre detrás de la pared

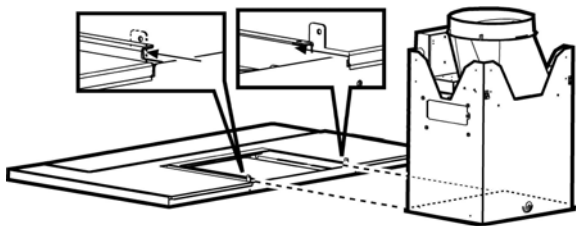
9. Determine y realice los cortes necesarios en la pared para el sistema de ventilación. instale el sistema de ventilación antes que la carcasa de la campana. Consulte los párrafos de las secciones "Métodos de ventilación" y "Dimensiones y espacio libre".
Nota para instalaciones sin tubos (recirculación): el sistema de ventilación no es necesario.
10. Determine la altura precisa para el canal de cables y realice un orificio de 1-1/4" (3,2 cm) en esta ubicación. Introduzca los cables por dicho orificio de acuerdo con National Electrical Code o CSA Standards y la normativa y las ordenanzas locales.
Nota: si es preciso realizar la instalación del ventilador integrado, proporcione un canal de cables u orificio adicional.

El cable de alimentación del desconectador con fusible (o disyuntor) debe ser suficiente para realizar la conexión en la(s) caja(s) de conexiones de la campana. Utilice enmasillado para sellar todas las aberturas. No encienda la campana hasta que la instalación no haya finalizado.

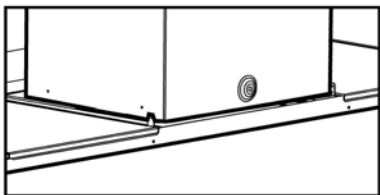
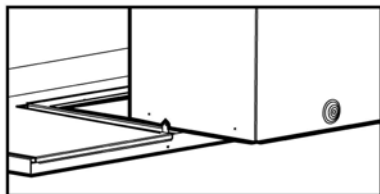
11. Marque de nuevo la línea central y la parte inferior de la campana en la misma ubicación anterior y coloque la plantilla en la pared tal y como hizo en el paso 4.
12. Monte el soporte de sujeción inferior con tornillos de madera (suministrados en el kit de tornillos y elementos de montaje) en las ubicaciones marcadas en la plantilla y después retire esta última.
13. Instale el soporte de sujeción de la cubierta de tubo en el muro emparejándolo con el techo mediante los anclajes de tabique aislante suministrados (dicho soporte debe instalarse aproximadamente a 1/8" (3 mm) del techo).
Para instalaciones sin tubos (Recirculación)
Instale el deflector (Disponible como un kit adicional) debajo del soporte de sujeción de la cubierta de tubo.

14. Nota: si está intentando instalar un ventilador integrado, omita este paso.
Adquiera e instale el ventilador interno (Para ver la referencia de modelo, consulte el párrafo “Antes de instalar la campana - Piezas no suministradas”).

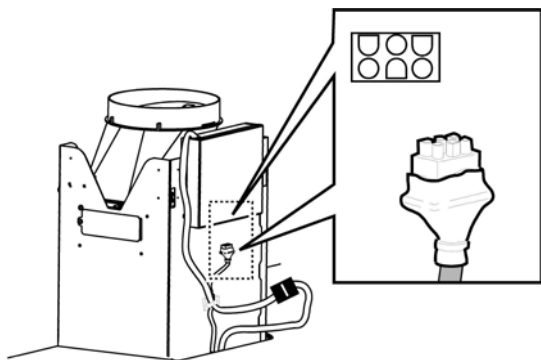
15. Si se suministra desmontada para el envío, monte la parte inferior de la campana con el alojamiento de ventilador interno:
a. Extraiga el filtro contra la grasa (Consulte también la sección Uso y mantenimiento - Filtro de carbón vegetal).
b. Coloque el alojamiento del ventilador interno sobre una superficie plana y ensarte por completo la parte inferior de la campana en él.



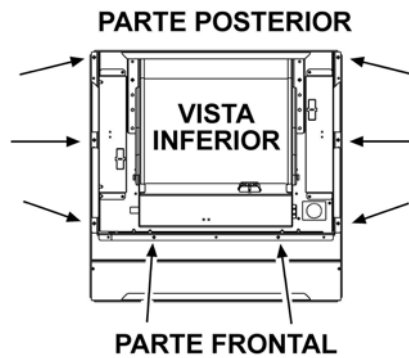
VISTA POSTERIOR



c. Conecte todos los cables:



d. Ajuste la campana a la unidad de motor mediante 8 tornillos en la parte inferior:



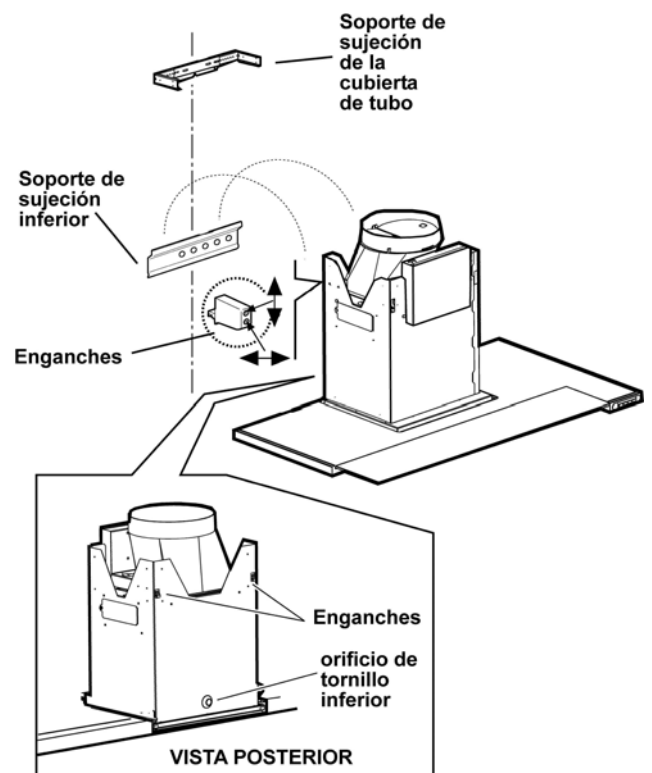
16. Cuelgue la campana mediante los 2 enganches de montaje.

ADVERTENCIA

Peligro de peso excesivo: serán necesarias dos o más personas para mover e instalar la campana extractora. De lo contrario, podrían producirse lesiones de espalda o de otro tipo.

17. Nivele el aparato mediante el nivelador de carpintero colocándolo en la parte inferior de la campana con tornillos nivelantes en los enganches de montaje.

18. Fije la campana con 1 tornillo en la parte inferior.



19. Conecte los tubos al cambio de sección. Utilice cinta adecuada para el sellado. No utilice un tubo más pequeño que el cambio de sección.
Sólo para instalaciones sin tubos (Recirculación): proporcione e instale un tubo para conectar el cambio de sección de la campana al deflector (Disponible como un kit adicional).

20. Conexión eléctrica

ADVERTENCIA

Peligro de descarga eléctrica

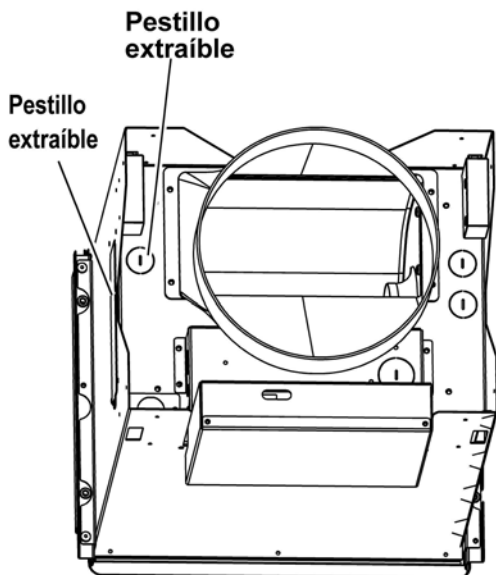
Advertencia: antes de realizar el cableado de este aparato, desactive el circuito de energía eléctrica en el panel de servicio.

Se requiere un circuito 120 VAC, 15 ó 20 A.

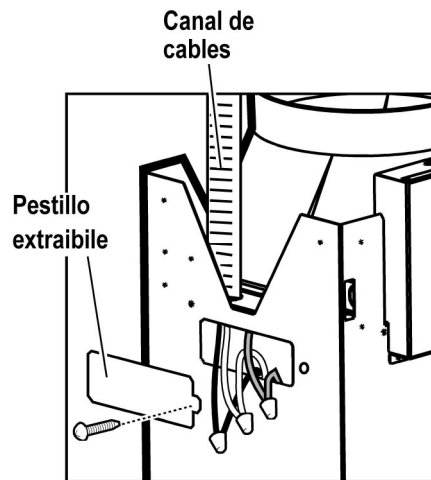
INSTRUCCIONES DE TOMA ELÉCTRICA
ESTE APARATO DISPONE DE UNA CAJA DE CONEXIONES ELÉCTRICAS CON 3 CABLES, UNO DE LOS CUALES (VERDE Y AMARILLO) SIRVE COMO TOMA DE TIERRA PARA EL APARATO PARA PROTEGERSE DE DESCARGAS ELÉCTRICAS, EL CABLE VERDE Y AMARILLO DEBE ESTAR CONECTADO AL CABLE DE TOMA A TIERRA DE SU SISTEMA DOMÉSTICO DE ELECTRICIDAD Y BAJO NINGUNA CIRCUNSTANCIA DEBE CORTARSE O ELIMINARSE.

De lo contrario, podría tener como resultado una descarga eléctrica o la muerte.

Situándose delante de la parte frontal de la campana extractora, retire el pestillo extraíble izquierdo y la tapa de la caja de conexiones e instale el conector de canal de cables (Enumerado en cULUS) en la caja de conexiones.



Coloque 3 cables (Negro, blanco y verde) de acuerdo con el National Electrical Code y la normativa y las ordenanzas locales en el canal de cables de 1/2" del panel del servicio a la caja de conexiones.

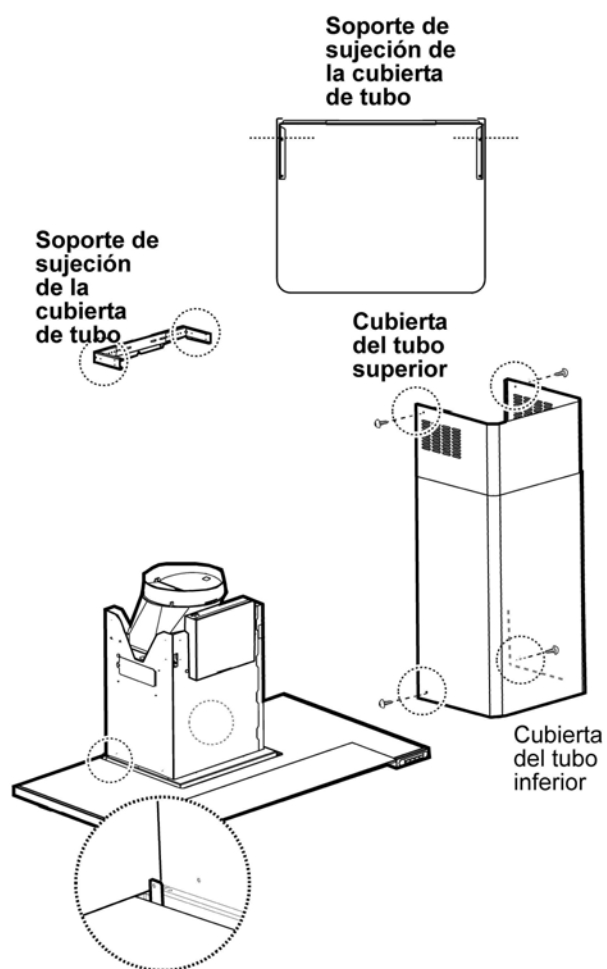


Conecte el cable negro del panel de servicio al cable negro o rojo de la caja de conexiones, el cable blanco al blanco y el verde al verde-amarillo.

Cierre la tapa de la caja de conexiones.

21. **Nota:** si la campana dispone de un ventilador interno, omita este paso. Adquiera e instale un ventilador integrado (Para ver la referencia de modelo, consulte el párrafo "Antes de instalar la campana - Piezas no suministradas").
22. Para **instalaciones sin tubos (Recirculación)** Instale un filtro de carbón vegetal (Disponible como un kit adicional).
23. Compruebe si todas las bombillas están correctamente instaladas. Conecte la alimentación en el panel de servicio. Compruebe el funcionamiento de las luces y el ventilador.
24. Instale los filtros.

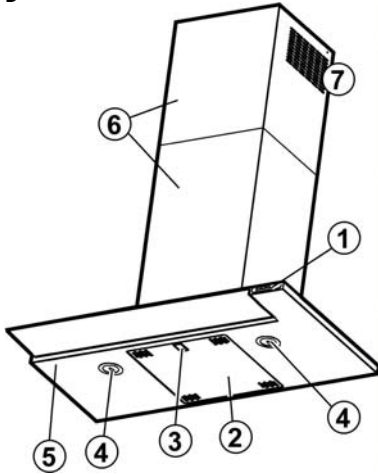
25. Instale la cubierta de tubo con los 4 tornillos.
Nota: la cubierta de tubo superior se puede colocar boca abajo para ocultar (O mostrar) las ranuras de ventilación.



Si la campana extractora no funciona:

- Compruebe si el disyuntor está desconectado o se han fundido los fusibles.
- Desconecte el suministro eléctrico. Compruebe si el cableado es correcto.

Descripción de la campana y los controles

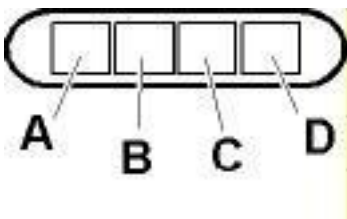


- 1 Panel de control
- 2 Filtro contra la grasa
- 3 Palanca de liberación del filtro contra la grasa
- 4 Lámpara halógena (La posición y el número de lámparas puede variar)
- 5 Filtro de vapor
- 6 Cubierta de tubo
- 7 Salida de aire (solamente se utiliza para la versión sin tubos)

Controles

Usar la potencia de aspiración mayor en caso de particular concentración de vapores de cocina. Aconsejamos de encender la aspiración 5 minutos antes de iniciar a cocinar y dejarla en función por otros 15 minutos aproximadamente.

Descripción del panel de control



- A. Botón ON/OFF luces.
- B. Botón OFF/ON aspiración y selección potencia mínima.
- B+C. Botón selección potencia de aspiración media.
- B+D. Botón selección potencia de aspiración máxima.

Mantenimiento

Antes de cualquier trabajo de mantenimiento desconectar la campana de la corriente.

Limpieza

La campana debe ser limpiada con frecuencia tanto externamente como internamente (con la misma frecuencia con la que se realiza la mantención de los filtros de grasa). Para la limpieza, utilice un paño impregnado de detergente líquido neutro. No utilice productos que contengan abrasivos.

¡NO UTILICE ALCOHOL!

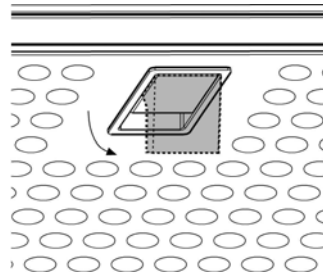
Filtro contra la grasa

Retiene las partículas de grasa producidas cuando se cocina.

Debe limpiarse una vez al mes con detergentes no agresivos, manualmente o bien en lavavajillas a bajas temperaturas y con ciclo breve.

Con el lavado en el lavavajilla el filtro antigrasa metálico puede desteñirse pero sus características de filtrado no cambian absolutamente.

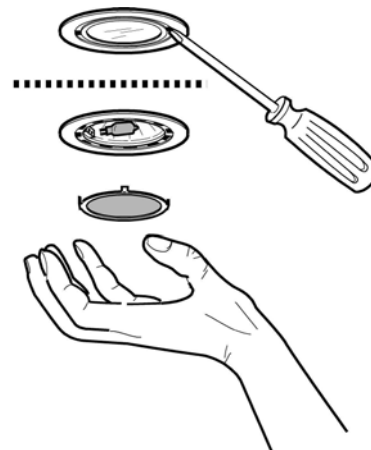
Para desmontar el filtro antigrasa, tirar de la manija de desenganche de muelle.



Sustitución de la bombilla

Desconecte el aparato de la red eléctrica.

Atención! Antes de tocar las lámparas asegúrese de que estén frías.



1. Extraer la protección haciendo palanca con un pequeño destornillador de boca plana o una herramienta similar.
2. Sustituir la lámpara dañada.
Utilizar sólo lámparas halógenas de 12V -20W max - G4 prestando atención en no tocarlas con las manos.
3. Cerrar el plafón (fijación a presión).

Si la iluminación no funciona, antes de llamar al servicio de asistencia técnica, controlar que las lámparas estén bien montadas en su sede.

