

TOBLINO

WALL-MOUNT



COMFORT SERIES



Toblino with its super sleek hood design that's only 2" high is the perfect complement to modern kitchen designs that often feature futuristic products with sharp architectural lines. Available in 30" or 36" widths, Toblino features durable stainless steel push button controls which allow for easy adjustment of blower speeds and dual halogen lamps.

Toblino features a telescopic chimney for up to 8'5" ceilings. Designed for standard ducted installation, Toblino can also be installed as a recirculating system using the Recirculating Kit, available as an accessory.

MODELS

ETB430S1 Toblino 30" Stainless
 ETB436S1 Toblino 36" Stainless

DIMENSIONS

(30"W x 19 5/8"D x 1 9/16"H)
 (36"W x 19 5/8"D x 1 9/16"H)



Halogen Lamps



Stainless Steel
 Push Button Controls

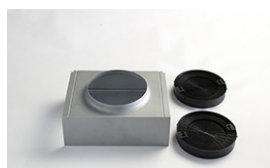


Anodized Aluminum
 Mesh Filters

FEATURES

Size (in) & Type Finish	30" or 36" Wide Wall-Mount Chimney Stainless Steel
Controls	Stainless Steel Push Button
Illumination	2, 40 Watt Halogen Lamps, 1 Light Intensity (bulbs included)
Installation Type	Ducted or Recirculating Installation Recirculating Kit Sold Separately
Blower Type	400 CFM, 3-Speed Internal
Blower Performance	Speed 1, 160 CFM, 1.5 Sones Speed 2, 280 CFM, 3.1 Sones Speed 3, 400 CFM, 5.9 Sones
Filter Type	Dishwasher-Safe, Anodized Aluminum Mesh Grease Filters (2 w/ 30", 3 w/ 36")
Telescopic Chimney Extension	For heights 6'9" - 8'5" (ducted) For heights 6'9" - 8'9" (recirculating)
Duct Transition	6" Round with Back Draft Damper (top)
Electrical	120V-60Hz 300 Watts at 2.5 Amps
Warranty	2 Year Parts & Labor, In-Home Service

ACCESSORIES



Optional Recirculating Kit for 30" and 36" unit

CODE: KIT02721
MODEL: KIT02721



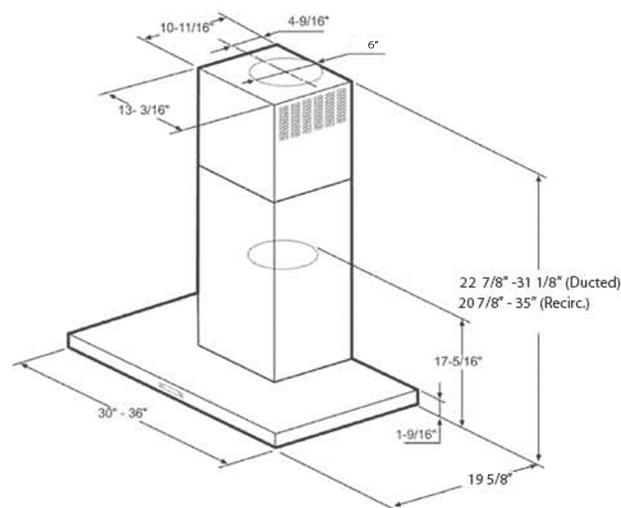
Optional Long Chimney Extension Kit
Reaches 7'5" - 10'0" (ducted)
Reaches 7'5" - 10'4" (recirculating)

CODE: KIT01935
MODEL: KIT01935

Optional CFM Reduction Kit
Achieves <300 CFM

CODE: KIT02748
MODEL: EXXCRKR8

LINE DRAWING



CONSUMABLE PARTS

Replacement Grease Filter (1)
CODE: GRI0009219A

Replacement Carbon Filter (1)
CODE: KIT02667

Replacement Light Bulb (1)
CODE: 2006CL

Consumable parts are sold in units of one (1). Order accordingly.