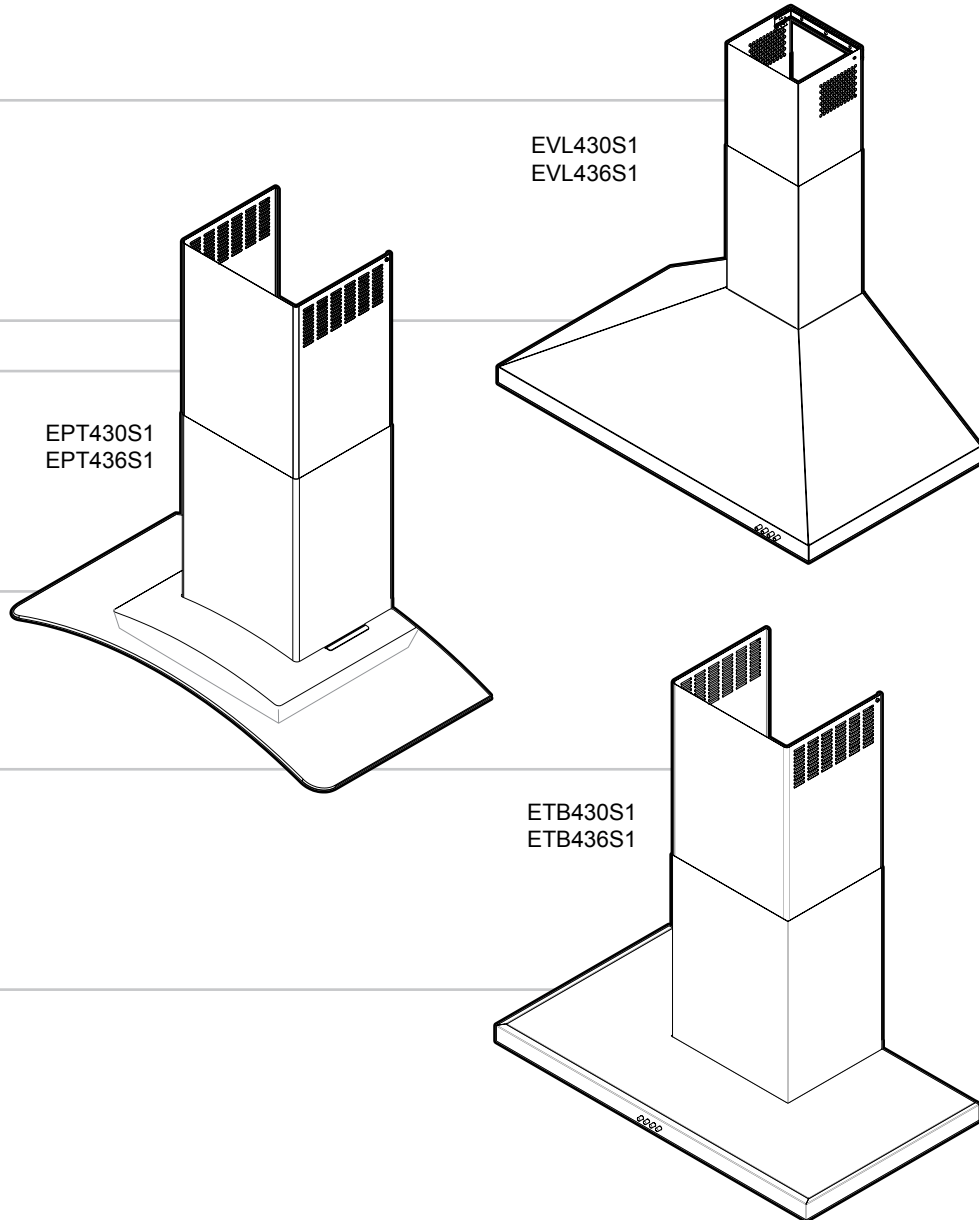


Use, Care, and Installation Guide
Guide d'utilisation, d'entretien et d'installation
Guía de instalación, uso y mantenimiento



READ AND SAVE THESE INSTRUCTIONS
LISEZ CES INSTRUCTIONS ET CONSERVEZ-LES
LEA Y GUARDE ESTAS INSTRUCCIONES

EN	Contents	page	2
FR	Sommaire	page	14
ES	Contenido	página	27

English

Contents

Important safety Notice.....	3
Electrical & Installation requirements	4
Electrical requirements	4
Before installing the hood	4
List of Materials.....	5
Parts supplied	5
Parts not supplied	5
Dimensions and Clearances.....	6
Location Requirements.....	7
Venting Requirements.....	7
Venting methods.....	7
Installation Instructions.....	8
Prepare location.....	8
Installing the range hood.....	9
Make electrical connection.....	10
Range hood controls.....	11
Range hood care.....	12
Warranty	13

**APPROVED FOR RESIDENTIAL APPLIANCES
FOR RESIDENTIAL USE ONLY
READ AND SAVE THESE INSTRUCTIONS**

PLEASE READ ENTIRE INSTRUCTIONS BEFORE PROCEEDING.

INSTALLATION MUST COMPLY WITH ALL LOCAL CODES.

IMPORTANT: Save these Instructions for the Local Electrical Inspector's use.

INSTALLER: Please leave these Instructions with this unit for the owner.

OWNER: Please retain these instructions for future reference.

Safety Warning: Turn off power circuit at service panel and lock out panel, before wiring this appliance.

Requirement: 120 V AC, 60 Hz. 15 or 20 A Branch Circuit

READ AND SAVE THESE INSTRUCTIONS

Important safety Notice

CAUTION

FOR GENERAL VENTILATING USE ONLY. DO NOT USE TO EXHAUST HAZARDOUS OR EXPLOSIVE MATERIALS OR VAPOURS.

WARNING

TO REDUCE THE RISK OF FIRE, ELECTRIC SHOCK, OR INJURY TO PERSONS, OBSERVE THE FOLLOWING:

- A. Use this unit only in the manner intended by the manufacturer. If you have questions, contact the manufacturer.
- B. Before servicing or cleaning the unit, switch power off at service panel and lock service panel disconnecting means to prevent power from being switched on accidentally. When the service disconnecting means cannot be locked, securely fasten a prominent warning device, such as a tag, to the service panel.
- C. Installation work and electrical wiring must be done by qualified person(s) in accordance with all applicable codes & standards, including fire-rated construction.
- D. Sufficient air is needed for proper combustion and exhausting of gases through the flue (Chimney) of fuel burning equipment to prevent back-drafting. Follow the heating equipment manufacturers guideline and safety standards such as those published by the National Fire Protection Association (NFPA), the American Society for Heating, Refrigeration and Air Conditioning Engineers (ASHRAE), and the local code authorities.
- E. When cutting or drilling into wall or ceiling, do not damage electrical wiring and other hidden utilities.
- F. Ducted systems must always be vented to the outdoors.

CAUTION

To reduce risk of fire and to properly exhaust air, be sure to duct air outside - do not vent exhaust air into spaces within walls, ceilings, attics, crawl spaces, or garages.

WARNING

TO REDUCE THE RISK OF FIRE, USE ONLY METAL DUCT WORK.

Install this hood in accordance with all requirements specified.

WARNING

To reduce the risk of fire or electric shock, do not use this hood with any external solid state speed control device.

WARNING

TO REDUCE THE RISK OF A RANGE TOP GREASE FIRE.

- a) Never leave surface units unattended at high settings. Boilovers cause smoking and greasy spillovers that may ignite. Heat oils slowly on low or medium settings.
- b) Always turn hood ON when cooking at high heat or when flambeing food (I.e. Crepes Suzette, Cherries Jubilee, Peppercorn Beef Flambe').
- c) Clean ventilating fans frequently. Grease should not be allowed to accumulate on fan or filter.
- d) Use proper pan size. Always use cookware appropriate for the size of the surface element.

WARNING

TO REDUCE THE RISK OF INJURY TO PERSONS, IN THE EVENT OF A RANGE TOP GREASE FIRE, OBSERVE THE FOLLOWING:

- a) SMOTHER FLAMES with a close-fitting lid, cookie sheet, or other metal tray, then turn off the gas burner or the electric element. BE CAREFUL TO PREVENT BURNS. If the flames do not go out immediately, EVACUATE AND CALL THE FIRE DEPARTMENT.
- b) NEVER PICK UP A FLAMING PAN - you may be burned.
- c) DO NOT USE WATER, including wet dishcloths or towels - a violent steam explosion will result.
- d) Use an extinguisher ONLY if:
 - 1) You know you have a class ABC extinguisher, and you already know how to operate it.
 - 2) The fire is small and contained in the area where it started.
 - 3) The fire department is being called.
 - 4) You can fight the fire with your back to an exit.

OPERATION

a. Always leave safety grills and filters in place. Without these components, operating blowers could catch onto hair, fingers and loose clothing.

The manufacturer declines all responsibility in the event of failure to observe the instructions given here for installation, maintenance and suitable use of the product. The manufacturer further declines all responsibility for injury due to negligence and the warranty of the unit automatically expires due to improper maintenance.

Electrical & Installation requirements

Electrical requirements

IMPORTANT

Observe all governing codes and ordinances.

It is the customer's responsibility:

To contact a qualified electrical installer.

To assure that the electrical installation is adequate and in conformance with National Electrical Code, ANSI/NFPA 70 — latest edition*, or CSA Standards C22.1-94, Canadian Electrical Code, Part 1 and C22.2 No.0-M91 - latest edition** and all local codes and ordinances.

If codes permit and a separate ground wire is used, it is recommended that a qualified electrician determine that the ground path is adequate.

A copy of the above code standards can be obtained from:

National Fire Protection Association
1 Batterymarch Park
Quincy, MA 02169-7471
CSA International
8501 East Pleasant Valley Road
Cleveland, OH 44131-5575

■ A 120 volt, 60 Hz., AC only, 15-amp, fused electrical circuit is required.

■ If the house has aluminum wiring, follow the procedure below:

1. Connect a section of solid copper wire to the pigtail leads.
2. Connect the aluminum wiring to the added section of copper wire using special connectors and/or tools designed and UL listed for joining copper to aluminum.

Follow the electrical connector manufacturer's recommended procedure. Aluminum/copper connection must conform with local codes and industry accepted wiring practices.

■ Wire sizes and connections must conform with the rating of the appliance as specified on the model/serial rating plate. The model/serial plate is located behind the filter on the rear wall of the range hood.

■ Wire sizes must conform to the requirements of the National Electrical Code, ANSI/NFPA 70 (latest edition), or CSA Standards C22.1-94, Canadian Electrical Code, Part 1 and C22.2 No. 0-M91 (latest edition) and all local codes and ordinances.

Before installing the hood

1. For the most efficient air flow exhaust, use a straight run or as few elbows as possible.
CAUTION: Vent unit to outside of building, only.
2. At least two people are necessary for installation.
3. Fittings material is provided to secure the hood to most types of walls/ceilings, consult a Qualified Installer, check if they perfectly fit with your cabinet/wall.
4. Do not use flex ducting.
5. COLD WEATHER installations should have an additional backdraft damper installed to minimize backward cold air flow and a nonmetallic thermal break to minimize conduction of outside temperatures as part of the ductwork. The damper should be on the cold air side of the thermal break.
The break should be as close as possible to where the ducting enters the heated portion of the house.
6. Make up air: Local building codes may require the use of Make-Up Air Systems when using Ducted Ventilation Systems greater than specified CFM of air movement. The specified CFM varies from locale to locale. Consult your HVAC professional for specific requirements in your area.

Removing the packaging

CAUTION!

Remove carton carefully, wear gloves to protect against sharp edges.

WARNING!

Remove the protective film covering the product before putting into operation.

List of Materials

Parts supplied

Removing the packaging





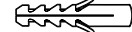

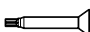
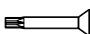

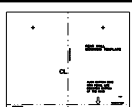
CAUTION!

Remove carton carefully, wear gloves to protect against sharp edges.

WARNING!

Remove the protective film covering the product before putting into operation.

- Hood canopy assembly with ventilator and halogen lamps already installed
- Vent transition installed
- Aluminum mesh filters.
- 2 piece duct cover.
- Hardware bag with:

	ETB430S1 ETB436S1	EPT430S1 EPT436S1	EVL430S1 EVL436S1
 5x45 mm	6		
 3.5x9.5 mm	2		
 2.9x6.5 mm			2
 4.2X8 mm	4		
 8x40 mm	6		
 10x50 mm			4
 Torx 10	1		
 Torx 20	1		
 Duct cover bracket	1		
 Mounting template	1		

Parts needed

- Home power supply cable
- 1/2" (12.7 mm) UL listed or CSA approved strain relief
- 3 UL listed wire connectors

For vented installations, you will also need:

- 1 wall or roof cap
- Metal vent system

Parts not supplied

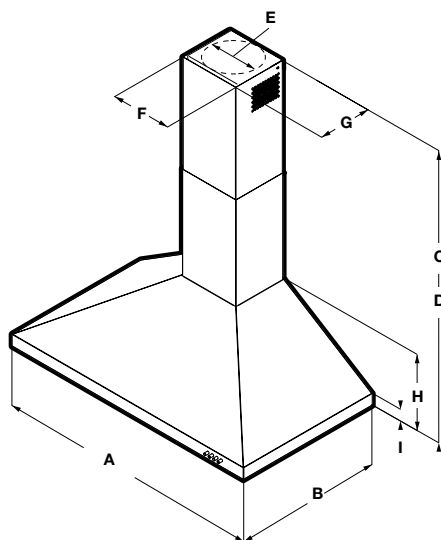
Optional Accessories

	ETB430S1 ETB436S1	EPT430S1 EPT436S1	EVL430S1 EVL436S1
<i>Recirculating kit</i>	KIT02721		KIT02766
<i>Charcoal filter kit</i>	KIT02667		

Tools/Materials required

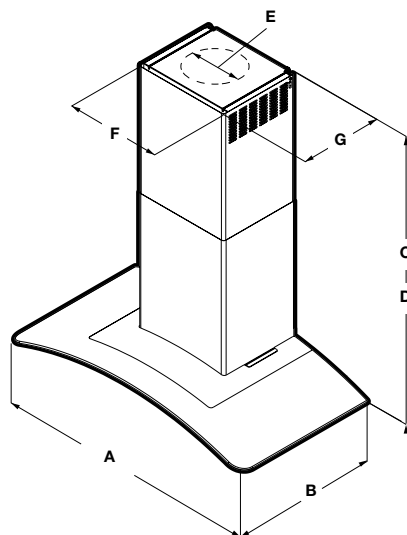
- Level
- Drill with 1/4" (3.2 cm), 1/8" (3.2 mm), and 1/16" (4,8 mm) drill bits
- Pencil
- Wire stripper or utility knife
- Tape measure or ruler
- Pliers
- Caulking gun and weatherproof caulking compound
- Vent clamps
- Jigsaw or keyhole saw
- Flat-blade screwdriver
- Metal snips
- Phillips screwdriver

Dimensions and Clearances



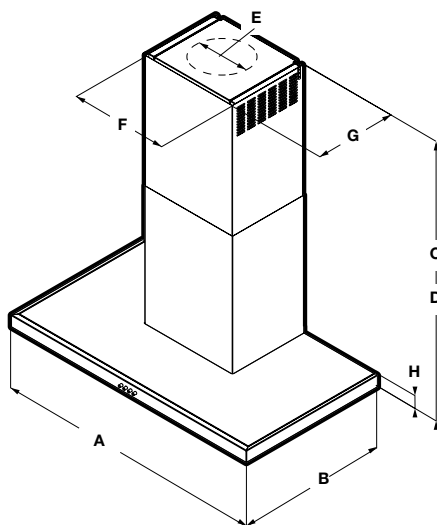
	EVL430S1	EVL436S1
A	30" (76.2cm)	36" (91.4cm)
B	20" (50.8cm)	
C*	max. 42 $\frac{1}{16}$ " (106.9cm) min. 28 $\frac{7}{16}$ " (73.3cm)	
D**	max. 38" (96.6cm) min. 28 $\frac{7}{16}$ " (72cm)	
E	6" (15.24cm)	
F	8 $\frac{1}{8}$ " (20.7cm)	
G	7 $\frac{1}{4}$ " (18.4cm)	
H	10" (25.4cm)	
I	1 $\frac{1}{2}$ " (4cm)	

*For non-vented (recirculating) installations
**For vented installations



	EPT430S1	EPT436S1
A	30" (76.2cm)	36" (91.4cm)
B	19 $\frac{1}{16}$ " (50cm)	
C*	max. 37 $\frac{7}{16}$ " (94.4cm) min. 24 $\frac{7}{16}$ " (62.6cm)	
D**	max. 33" (84cm) min. 20 $\frac{3}{4}$ " (52.7cm)	
E	6" (15.24cm)	
F	13 $\frac{3}{16}$ " (33.5cm)	
G	10 $\frac{1}{4}$ " (27.6cm)	

*For non-vented (recirculating) installations
**For vented installations



	ETB430S1	ETB436S1
A	30" (76.2cm)	36" (91.4cm)
B	20" (50.8cm)	
C*	max. 35 $\frac{1}{16}$ " (89.3cm) min. 21 $\frac{1}{16}$ " (55.1cm)	
D**	max. 31 $\frac{1}{16}$ " (79.3cm) min. 21 $\frac{1}{16}$ " (55.1cm)	
E	6" (15.24cm)	
F	8 $\frac{1}{8}$ " (20.7cm)	
G	7 $\frac{1}{4}$ " (18.4cm)	
H	10" (25.4cm)	

*For non-vented (recirculating) installations
**For vented installations

Location Requirements

IMPORTANT: Observe all governing codes and ordinances. Have a qualified technician install the range hood. It is the installer's responsibility to comply with installation clearances specified on the model/serial rating plate. The model/serial rating plate is located behind the left filter on the rear wall of the vent hood.

Canopy hood location should be away from strong draft areas, such as windows, doors and strong heating vents.

Cabinet opening dimensions that are shown must be used. Given dimensions provide minimum clearance.

Grounded electrical outlet is required. See "Electrical Requirements" section.

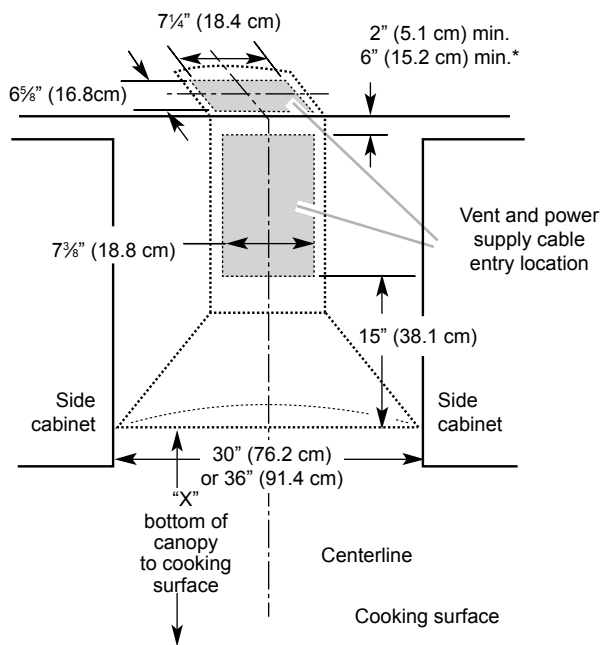
The canopy hood is factory set for venting through the roof or wall. For non-vented (recirculating) installation see the installation instructions in this guide. Recirculation Kit is available from your dealer or an authorized parts distributor.

All openings in ceiling and wall where canopy hood will be installed must be sealed.

For Mobile Home Installations

The installation of this range hood must conform to the Manufactured Home Construction Safety Standards, Title 24 CFR, Part 328 (formerly the Federal Standard for Mobile Home Construction and Safety, Title 24, HUD, Part 280) or when such standard is not applicable, the standard for Manufactured Home Installation 1982 (Manufactured Home Sites, Communities and Setups) ANSI A225.1/NFPA 501A, or latest edition, or with local codes.

Cabinet Dimensions



IMPORTANT:
 Minimum distance "X": 24" (61.0 cm) from electric cooking surface
 Minimum distance "X": 27" (68.6 cm) from gas cooking surface
 Suggested maximum distance "X": 36" (91.4 cm)

The chimneys can be adjusted for different ceiling heights. See the following chart.

Vented Installations		
	Min. ceiling height	Max. ceiling height
Electric cooking surface	7' 5" (2.26 m)	9' 2" (2.79 m)
Gas cooking surface	7' 8" (2.34 m)	9' 2" (2.79 m)
Non-vented (recirculating) Installations		
	Min. ceiling height	Max. ceiling height
Electric cooking surface	7' 5" (2.26 m)	9' 6" (2.9 m)
Gas cooking surface	7' 8" (2.34 m)	9' 6" (2.9 m)

*NOTE: The range hood chimneys are adjustable and designed to meet varying ceiling or soffit heights depending on the distance "X" between the bottom of the range hood and the cooking surface.

Venting Requirements

(ducted models only)

- Vent system must terminate to the outdoors, except for nonvented (recirculating) installations.
- Do not terminate the vent system in an attic or other enclosed area.
- Do not use 4" (10.2 cm) laundry-type wall cap.
- Use metal vent only. Rigid metal vent is recommended. Plastic or metal foil vent is not recommended.
- The length of vent system and number of elbows should be kept to a minimum to provide efficient performance.

For the most efficient and quiet operation:

- Use no more than three 90° elbows.
- Make sure there is a minimum of 24" (61 cm) of straight vent between the elbows if more than 1 elbow is used.
- Do not install 2 elbows together.
- Use clamps to seal all joints in the vent system.
- The vent system must have a damper. If the roof or wall cap has a damper, do not use the damper supplied with the range hood.
- Use caulking to seal exterior wall or roof opening around the cap.
- The size of the vent should be uniform.

Venting Methods

This canopy hood is factory set for venting through the roof or wall. A 6" (15.2 cm) round vent system is needed for installation (not included). The hood exhaust opening is 6" (15.2 cm) round.

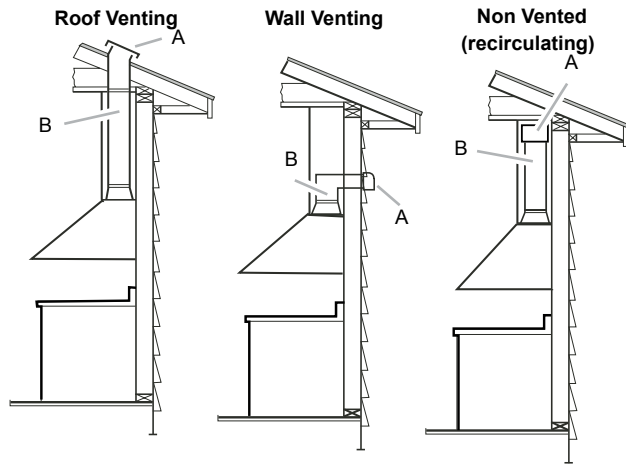
NOTE: Flexible vent is not recommended. Flexible vent creates back pressure and air turbulence that greatly reduce performance. Vent system can terminate either through the roof or wall. To vent through a wall, a 90° elbow is needed.

Rear discharge

A 90° elbow may be installed immediately above the hood.

For Non-Vented (recirculating) Installations

If it is not possible to vent cooking fumes and vapors to the outside, the hood can be used in the non-vented (recirculating) version, fitting a charcoal filter and the deflector. Fumes and vapors are recycled through the top grille.

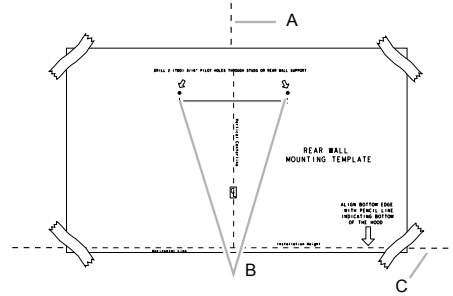


A. Roof cap
B. 6" (15.2 cm)
round vent

A. Wall cap
B. 6" (15.2 cm)
round vent

A. Deflector
B. 6" (15.2 cm)
round vent

3. Tape template in place, aligning the template centerline and bottom of template with hood bottom line and with the centerline marked on the wall.



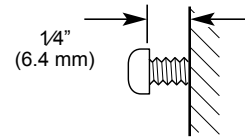
A. Centerline
B. Fastener locations
C. Mounting height reference (hood bottom line)

4. Mark centers of the fastener locations through the template to the wall.

IMPORTANT: All screws must be installed into wood. If there is no wood to screw into, additional wall framing supports may be required.

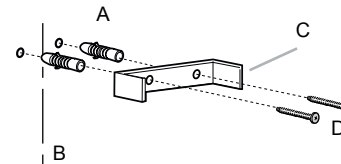
Remove the template.

5. Drill $\frac{3}{16}$ " (4.8 mm) pilot holes at all locations where screws are being installed into wood.
6. Install the 2 - 5 x 45 mm mounting screws. Leave a $\frac{1}{4}$ " (6.4 mm) gap between the wall and the back of the screw head to slide range hood into place.



Vent cover bracket installation

7. Attach vent cover bracket to wall flush to the ceiling using 2 - 5 x 45 mm screws.



A. 8 x 40 mm drywall anchors
B. Centerline on wall
C. Vent cover support bracket
D. 5 x 45 mm screws

Installation Instructions

Prepare Location

- It is recommended that the vent system be installed before hood is installed.
- Before making cutouts, make sure there is proper clearance within the ceiling or wall for exhaust vent.
- Check your ceiling height and the hood height maximum before you select your hood.

1. Disconnect power.
2. Determine which venting method to use: roof, wall, or nonvented.
3. Select a flat surface for assembling the range hood. Place covering over that surface.

WARNING

TO REDUCE THE RISK OF FIRE, ELECTRIC SHOCK, OR INJURY TO PERSONS, OBSERVE THE FOLLOWING

4. Using 2 or more people, lift range hood onto covered surface.

Range hood mounting screws installation

1. Determine and mark the centerline on the wall where the canopy hood will be installed. Disconnect power.
2. Select a mounting height between a minimum of 24" (61.0 cm) for an electric cooking surface, a minimum of 27" (68.6 cm) for a gas cooking surface, and a suggested maximum of 36" (91.4 cm) above the range to the bottom of the hood. Mark a reference line on the wall.

Complete Preparation

1. Determine and make all necessary cuts in the wall for the vent system. Install the vent system before installing the hood. See "Venting Requirements" section.
2. Determine the required height for the home power supply cable and drill a $1\frac{1}{4}$ " (3.2 cm) hole at this location.
3. Run the home power supply cable according to the National Electrical Code or CSA Standards and local codes and ordinances. There must be enough $\frac{1}{2}$ " conduit and wires from the fused disconnect (or circuit breaker) box to make the connection in the hood's electrical terminal box.

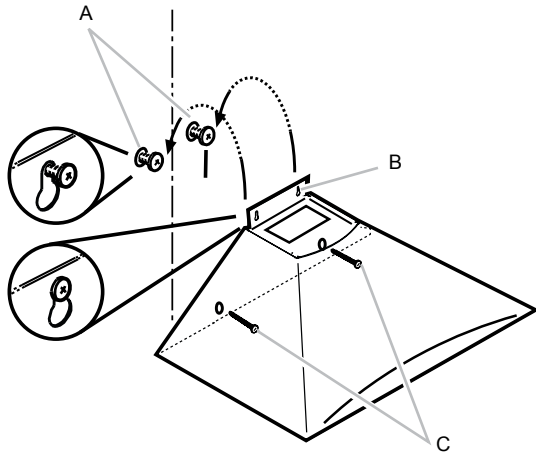
NOTE: Do not reconnect power until installation is complete.

4. Use caulk to seal all openings.

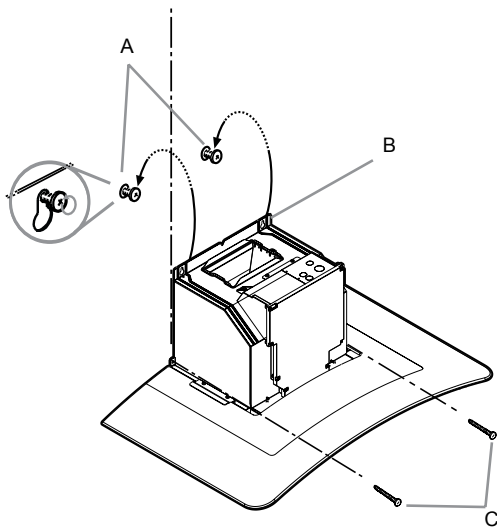
Installing the range hood

- Using 2 or more people, hang range hood on 2 mounting screws through the mounting slots on back of hood.

MODELS EVL43



MODELS EPT43 & ETB43

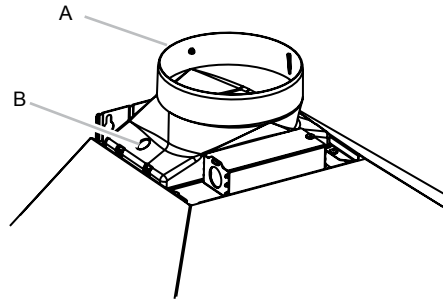


- A. Mounting screws
- B. Mounting slots
- C. Lower mounting screws

- Remove the grease filter. See "Range Hood Care" section (only for models EVL43).
- Level the range hood and tighten upper mounting screws.
- Install 2 - 5 x 45 mm lower mounting screws and tighten.

Connect Vent System

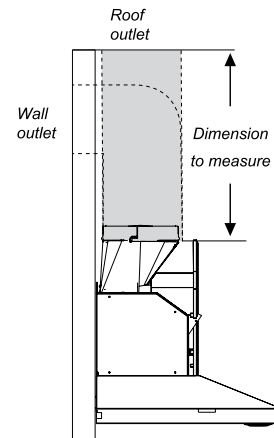
- Install transition on top of hood (if removed for shipping) with 2 - 3.5 x 9.5 mm sheet metal screws.



- A. Vent transition
- B. 3.5 x 9.5 mm screw

For vented installations only:

- Fit vent system over the exhaust outlet.
- Measure from the bottom of the air deflector to the bottom of the hood outlet. Cut the ductwork at the measured dimension.



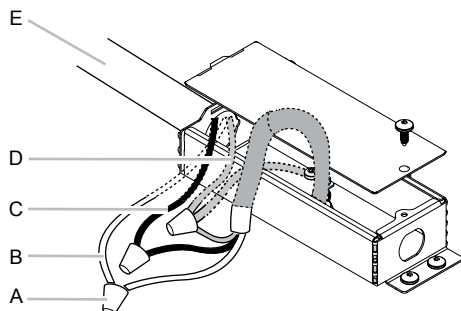
- Seal connection with clamps.
- Check that back draft dampers work properly.

Make Electrical Connection

WARNING: Electrical Shock Hazard
Disconnect power before servicing.
Replace all parts and panels before operating.
Failure to do so can result in death or electrical shock.

MODELS EVL43

1. Disconnect power.
2. Remove terminal box cover.
3. Remove the knockout in the terminal box cover and install a UL listed or CSA approved ½" strain relief.
4. Run home power supply cable through strain relief, into terminal box.



- A. UL listed wire connectors
- B. White wires
- C. Black wires
- D. Green (or bare) wire connected to yellow-green wires
- E. Home power supply

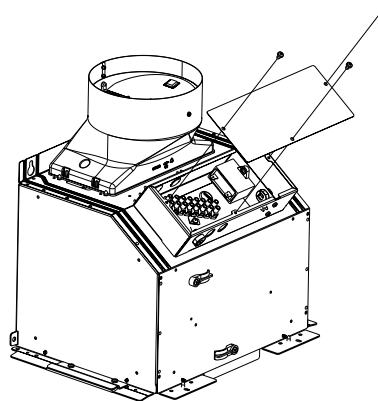
5. Use UL listed wire connectors and connect black wires (C) together.
6. Use UL listed wire connectors and connect white wires (E) together.

WARNING: Electrical Shock Hazard
Electrically ground blower.
Connect ground wire to green and yellow ground wire in terminal box.
Failure to do so can result in death or electrical shock.

7. Connect green (or bare) ground wire from home power supply to yellow-green ground wire (F) in terminal box using UL listed wire connectors.
8. Tighten strain relief screw.
9. Install terminal box cover.
10. Reconnect power.

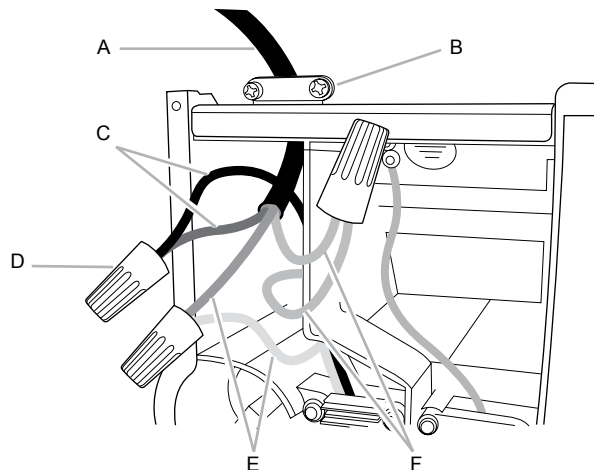
MODELS EPT43 & ETB43

1. Disconnect power.
2. Remove terminal box cover.
3. Remove the knockout in the terminal box cover and install a UL listed or CSA approved ½" strain relief.



- A. Knockout
- B. Terminal box cover

4. Run home power supply cable through strain relief, into terminal box.



- A. Home power supply cable
- B. UL listed or CSA approved strain relief
- C. Black wires
- D. UL listed wire connectors
- E. White wires
- F. Green (or bare) and yellow-green ground wires

5. Use UL listed wire connectors and connect black wires (C) together.
6. Use UL listed wire connectors and connect white wires (E) together.

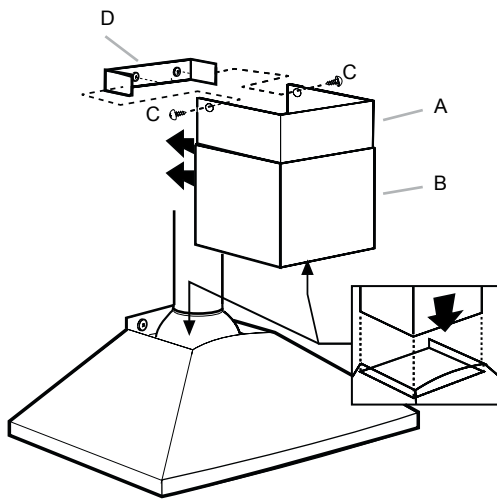
WARNING: Electrical Shock Hazard
Electrically ground blower.
Connect ground wire to green and yellow ground wire in terminal box. Failure to do so can result in death or electrical shock.

7. Connect green (or bare) ground wire from home power supply to yellow-green ground wire (F) in terminal box using UL listed wire connectors.
8. Tighten strain relief screw.
9. Install terminal box cover.
10. Check that all light bulbs are secure in their sockets.
11. Reconnect power.

Install duct covers

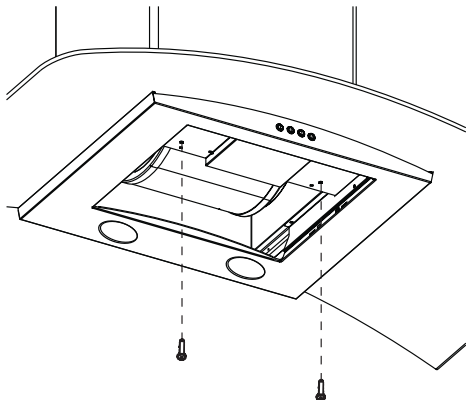
When using both upper and lower vent covers, push lower cover down onto hood and lift upper cover to ceiling and install with two mounting screws.

NOTE: For vented installations, the upper vent cover may be reversed to hide slots.



- A. Upper vent cover
- B. Lower vent cover
- C. 2.9 x 6.5 mm screws for models EVL43
4.2 x 8 mm screws for models EPT43 & ETB43
- D. Bracket

Secure the bottom of the duct with 2 - 4.2 x 8 mm screws (only models EPT43 & ETB43).



Complete Installation

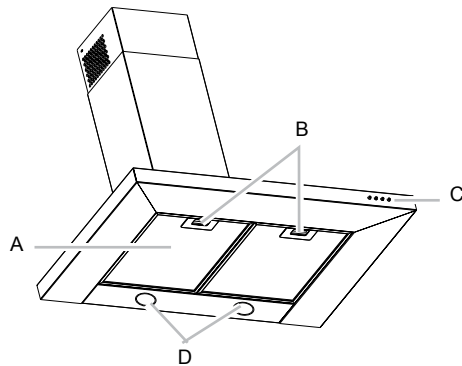
1. For non-vented (recirculating) installations only, install charcoal filters over metal grease filter. See the "Range Hood Care" section.
2. Install metal filters. See the "Range Hood Care" section.
3. Check the operation of the range hood blower and light. See the "Range Hood Use" section.

NOTE: To get the most efficient use from your new range hood, read the "Range Hood Use" section.

Range Hood Use

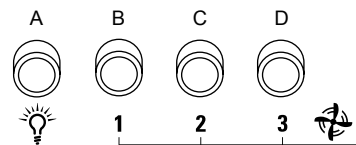
The range hood is designed to remove smoke, cooking vapors and odors from the cooktop area. For best results, start the hood before cooking and allow it to operate several minutes after the cooking is complete to clear all smoke and odors from the kitchen.

The hood controls are located on the front side of the canopy.



- A. Grease filter
- B. Grease filter handle
- C. Blower and light controls
- D. Halogen lamps

Range Hood Controls



- A. On/Off light button
- B. Blower off and speed minimum button
- C. Blower speed medium button
- D. Blower speed maximum button

Operating the light

The On/Off light button controls both lights. Press once for On and again for Off.

Operating the blower

The Blower Speed buttons turn the blower on and control the blower speed and sound level for quiet operation. The speed can be changed anytime during fan operation by pressing the desired Blower Speed button.

The Blower Off button turns the blower Off.

Range Hood Care

Cleaning

IMPORTANT: Clean the hood and grease filters frequently according to the following instructions. Replace grease filters before operating hood.

Exterior Surfaces:

To avoid damage to the exterior surface, do not use steel wool or soap-filled scouring pads.

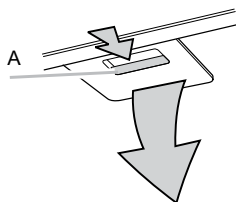
Always wipe dry to avoid water marks.

Cleaning Method:

- Liquid detergent soap and water, or all-purpose cleanser
- Wipe with damp soft cloth or nonabrasive sponge, then rinse with clean water and wipe dry.

Aluminum Grease Filter:

1. Remove the filter by pulling the spring release handle and then pulling down the filter.



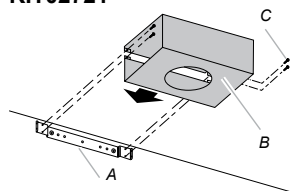
A. Spring release handle

2. Wash aluminum grease filters as needed in dishwasher or hot detergent solution.
3. Reinstall the filter by making sure the spring release handles are toward the front. Insert aluminum filter into upper track.
4. Push in spring release handle.
5. Push up on aluminum filter and release handle to latch into place.

RECIRCULATING KIT INSTALLATION:

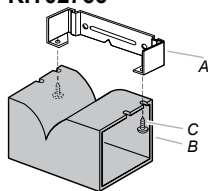
1. After the duct cover bracket has been installed on the ceiling, assemble the air deflector to the duct cover bracket with the assembly screws.

KIT02721

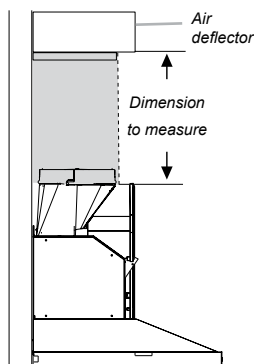


A. Duct cover bracket
B. Air deflector
C. Mounting screws

KIT02766



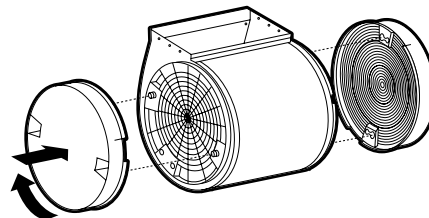
2. Measure from the bottom of the air deflector to the bottom of the hood outlet. Cut the ductwork at the measured dimension.



3. Uninstall the air deflector removing the assembly screws.
4. Slip the duct onto the bottom of the deflector.
5. Place the assembled deflector and duct work over the exhaust outlet from the hood.
6. Assemble the air deflector to the duct cover bracket, with the assembly screws provided.
7. Use duct tape to seal the deflector and the exhaust outlet from the hood, as is shown in the following image. The duct tape must be approved for this application.

Charcoal Filter Installation

1. Remove the grease filter of the hood.
2. Position the charcoal filter inside the structure of the motor as shown in picture.
3. Reinstall the grease filter onto the bottom of the hood.

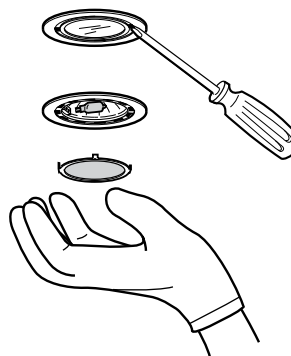


Replacing a Halogen Lamp

Turn off the range hood and allow the halogen lamp to cool. To avoid damage or decreasing the life of the new lamp, do not touch lamp with bare fingers. Replace lamp, using tissue or wearing cotton gloves to handle lamp.

If new lights do not operate, make sure the lamps are inserted correctly before calling service.

1. Disconnect power.
2. Use a flat-blade screwdriver and gently pry the light cover loose.



3. Remove the lamp and replace with a 120-volt, 40-watt maximum, halogen lamp made for a G-9 base.
4. Replace the light cover.
5. Reconnect power.

Warranty

ELICA North America

TWO-YEARS LIMITED WARRANTY

TO OBTAIN SERVICE UNDER WARRANTY

Owner must present proof of original purchase date. Please keep a copy of your dated proof of purchase (sales slip) in order to obtain service under warranty.

PARTS AND SERVICE WARRANTY

For the period of two (2) years from the date of the original purchase, Elica will provide free of charge, non consumable parts or components that failed due to manufacturing defects. During these two (2) years limited warranty, Elica will also provide free of charge, all labor and in-home service to replace any defective parts.

WHAT IS NOT COVERED

- Damage or failure to the product caused by accident or act of God, such as, flood, fire or earthquake.
- Damage or failure caused by modification of the product or use of non-genuine parts.
- Damage or failure to the product caused during delivery, handling or installation.
- Damage or failure to the product caused by operator abuse.
- Damage or failure to the product caused by dwelling fuse replacement or resetting of circuit breakers.
- Damage or failure caused by use of product in a commercial application.
- Service trips to dwelling to provide use or installation guidance.
- Light bulbs, metal or carbon filters and any other consumable part.
- Normal wear of finish.
- Wear to finish due to operator abuse, improper maintenance, use of corrosive or abrasive cleaning products/pads and oven cleaner products.

WHO IS COVERED

This warranty is extended to the original purchaser for products purchased for ordinary residential use in North America (Including the United States, Guam, Puerto Rico, US Virgin Islands & Canada).

This warranty is non-transferable and applies only to the original purchaser and does not extend to subsequent owners of the product. This warranty is made expressly in lieu of all other warranties, expressed or implied, including, but not limited to any implied warranty of merchantability or fitness for a particular purpose and all other obligations on the part of Elica North America, provided, however, that if the disclaimer of implied warranties is ineffective under applicable law, the duration of any implied warranty arising by operation of law shall be limited to two (2) years from the date of original purchase at retail or such longer period as may be required by applicable law.

This warranty does not cover any special, incidental and/or consequential damages, nor loss of profits, suffered by the original purchaser, its customers and/or the users of the Products.

WHO TO CONTACT

To obtain Service under Warranty or for any Service Related Question

Please Call:

- Elica North America Authorized Service at (888) 732-8018

Or by Writing To:

- Elica North America, Attention Customer Service
6658 156th Avenue SE,
Bellevue, WA 98006 USA
infoamericas@elica.com

Français

Table des Matières

Avis de sécurité important.....	15
Exigences électriques et exigences d'installation	16
Exigences électriques	16
Avant d'installer la hotte	16
Liste des pièces.....	17
Pièces fournies	17
Pièces non fournies	17
Dimensions du Produit.....	18
Exigences d'emplacement.....	19
Exigences concernant l'évacuation.....	19
Méthodes d'évacuation.....	20
Instructions d'installation.....	20
Préparation de l'emplacement.....	20
Installation de la hotte.....	21
Raccordement électrique.....	22
Commandes de la hotte de cuisinière.....	24
Entretien de la hotte.....	24
Garantie	26

**APPROUVÉ POUR LES APPAREILS DE TYPE RÉSIDENTIEL
POUR UNE UTILISATION RÉSIDENTIELLE SEULEMENT
LISEZ CES INSTRUCTIONS ET CONSERVEZ-LES**

VEUILLEZ LIRE CES INSTRUCTIONS AU COMPLET AVANT DE COMMENCER.

L'INSTALLATION DE L'APPAREIL DOIT RESPECTER TOUS LES CODES EN VIGUEUR.

IMPORTANT : Conservez ces instructions afin de pouvoir les remettre à l'inspecteur-électricien de votre région.

INSTALLATEUR : Veuillez laisser ces instructions avec l'appareil pour le propriétaire.

PROPRIÉTAIRE : Veuillez conserver ces instructions pour pouvoir vous y référer plus tard.

Avertissement de sécurité : Coupez l'alimentation du circuit dans le panneau électrique et verrouillez le panneau avant de raccorder les fils de cet appareil.

Exigence : 120 V c.a., 60 Hz circuit de dérivation de 15 V c.a., 20 Hz, de 15 ou 20 A

LISEZ CES INSTRUCTIONS ET CONSERVEZ-LES

Avis de sécurité important

ATTENTION

UTILISER CET APPAREIL À DES FINS DE VENTILATION GÉNÉRALE SEULEMENT. NE PAS UTILISER CET APPAREIL POUR ÉVACUER DES MATÉRIAUX OU DES VAPEURS DANGEREUX OU EXPLOSIFS.

AVERTISSEMENT

POUR RÉDUIRE LES RISQUES D'INCENDIE, DE CHOC ÉLECTRIQUE ET DE BLESSURE, RESPECTER LES DIRECTIVES SUIVANTES :

- A. Utiliser cet appareil uniquement aux fins prévues par le fabricant. Si vous avez des questions à propos de l'appareil, communiquez avec le fabricant.
- B. Avant de faire l'entretien de l'appareil ou de le nettoyer, coupez l'alimentation dans le panneau électrique et verrouillez le panneau en bloquant le dispositif permettant d'empêcher d'activer l'alimentation accidentellement. S'il n'est pas possible de verrouiller l'accès au panneau, fixez une étiquette très voyante au panneau électrique.
- C. Une personne qualifiée doit effectuer l'installation et le câblage des fils électriques en conformité avec tous les codes et toutes les normes, y compris la cote de résistance au feu.
- D. Il est important de prévoir suffisamment d'air pour assurer une bonne combustion de l'équipement de chauffe et l'évacuation adéquates des gaz par le conduit de cheminé afin de prévenir les refoulements d'air. Respectez les directives et les normes de sécurité des fabricants de l'équipement de chauffage, comme celles publiées par la National Fire Protection Association (NFPA), la American Society for Heating, Refrigeration and Air Conditioning Engineers (ASHRAE) et le code des autorités de votre région.
- E. Au moment de couper ou de percer un mur ou un plafond, assurez-vous de ne pas endommager la filerie électrique ou tout autre accès à un service public.
- F. Il faut toujours évacuer à l'extérieur les systèmes à conduit.

ATTENTION

Pour réduire les risques d'incendie et évacuer l'air correctement, assurez-vous que le conduit mène à l'extérieur; il ne faut pas évacuer l'air dans l'espace entre les murs, dans les plafonds, dans les greniers, les vides sanitaires ou les garages.

AVERTISSEMENT

POUR RÉDUIRE DES RISQUES D'INCENDIE, UTILISEZ UNIQUEMENT DES CONDUITS EN MÉTAL.

Installez cette hotte en respectant toutes les exigences mentionnées.

AVERTISSEMENT

Pour réduire les risques d'incendie et de choc électrique, n'utilisez pas cette hotte avec un contrôleur de vitesse à semi-conducteurs.

AVERTISSEMENT

POUR RÉDUIRE LES RISQUES D'INCENDIE DE GRAISSE SUR LES CUISINIÈRES.

- a) Ne laissez jamais la cuisinière sans surveillance lorsqu'elle est réglée à une haute température. Les débordements par bouillonnement causent de la fumée et des débordements de gras qui peuvent s'enflammer. Faites chauffer l'huile lentement, à une température basse ou moyenne.
- b) Faites toujours fonctionner la hotte lorsque vous utilisez la cuisinière à une haute température ou que vous faites flamber des aliments (P. ex. : crêpes Suzette, cerises jubilées, boeuf au poivre flambé).
- c) Nettoyez les hélices de ventilation fréquemment. Il ne faut pas que la graisse s'accumule sur les filtres ou les hélices.
- d) Utilisez le bon format de casserole. Utilisez toujours un chaudron de taille approprié à l'élément de la cuisinière.

AVERTISSEMENT

POUR ÉVITER DE BLESSER QUELQU'UN LORS D'UN INCENDIE DE GRAISSE SUR LA CUISINIÈRE, SUIVRE LES CONSEILS SUIVANTS :^a

- a) ÉTOUFFER LES FLAMMES avec un couvercle aux dimensions de la taque de cuisson, une tôle à biscuit ou tout autre plateau métallique, puis couper le gaz ou l'alimentation électrique de la cuisinière. FAIRE ATTENTION A NE PAS SE BRÛLER. Si les flammes ne s'éteignent pas immédiatement, QUITTER LA PIÈCE ET APPELER LES POMPIERS.
- b) NE JAMAIS PRENDRE EN MAIN UNE CASSEROLE EN FEU, vous pourriez vous blesser.
- c) NE PAS UTILISER D'EAU, y compris les essuies de vaisselle ou les serviettes humides – une violente explosion due à la vapeur formée pourrait survenir.
- d) Utiliser un extincteur SEULEMENT si:
 - 1) Vous êtes sûr d'avoir un extincteur de classe ABC que vous savez utiliser.
 - 2) Le feu est petit et confiné à la zone où il s'est formé.
 - 3) Les pompiers ont été appelés.
 - 4) Vous pouvez lutter contre le feu avec une sortie derrière vous.

^aRecommandations tirées des conseils de sécurité en cas d'incendie de cuisine publiés par la NFPA.

MODE OPÉRATOIRE

- a) Toujours laisser les grilles de sécurité et les filtres à leur place. Sans la présence de ces derniers, les parties aspirantes pourraient attirer les cheveux, les doigts ou les vêtements.

Le fabricant décline toute responsabilité si les informations détaillées dans ce manuel pour l'installation, l'entretien et l'utilisation adéquate du produit ne sont pas observées. Le fabricant décline en outre toute responsabilité pour d'éventuelles blessures dues à des négligences; en outre, la garantie de l'appareil sera annulée suite à des conditions d'entretien inappropriées. Cet appareil est fabriqué pour un usage interne. Ne pas utiliser cet appareil à l'extérieur.

Exigences électriques et exigences d'installation

Exigences électriques

IMPORTANT

Respectez tous les codes et les ordonnances en vigueur.

Le client a la responsabilité de :

Contactez un électricien-installateur.

Vérifier que l'installation électrique est adéquate et conforme avec le Code national de l'électricité, ANSI/NFPA 70 (la plus récente édition*), ou les normes C22.1-94, Code canadien de l'électricité, Partie 1 et C22.2 No.0-M91 (La plus récente édition**) de la CSA, ainsi que tous les codes et les ordonnances de votre région.

Si le code le permet et que vous utilisez un fil de mise à la terre distinct, il est recommandé de faire vérifier le chemin du fil par un électricien.

Ne pas mettre l'appareil à la terre sur une conduite de gaz. Consultez un électricien qualifié si vous n'êtes pas certain que la hotte est mise à la terre correctement. N'installez pas un fusible dans le circuit neutre ou le circuit de mise à la terre.

IMPORTANT

Conservez ces instructions afin de pouvoir les remettre à l'inspecteur-électricien.

La hotte doit être câblée uniquement à l'aide de fils de cuivre.

Il faut raccorder la hotte directement à une boîte à fusible ou à un disjoncteur par l'entremise d'une canalisation électrique en métal.

Le calibre de fil doit être conforme aux exigences du Code national de l'électricité, ANSI/NFPA 70 (La plus récente édition*), ou les normes C22.1-94, Code canadien de l'électricité, Partie 1 et C22.2 0-M91 (La plus récente édition**) de la CSA, ainsi que tous les codes et les ordonnances de votre région.

Il faut prévoir un connecteur de canalisation approuvé par l'UL ou la CSA à chaque extrémité de la canalisation d'alimentation (À la hotte et à la boîte de jonction).

Vous pouvez obtenir un exemplaire des normes indiquées en vous adressant à :

* La National Fire Protection Association, Batterymarch Park
Quincy, Massachusetts, 02269

** La CSA International, 8501 East Pleasant Valley Road,
Cleveland, Ohio, 44131-5575

Avant d'installer la hotte

1. Pour assurer la ventilation la plus efficace possible, installez la conduite en ligne droite ou avec le moins de coudes possibles.
ATTENTION : La sortie de la conduite de ventilation doit donner sur l'extérieur.
2. Deux personnes sont nécessaires pour effectuer l'installation.
3. La quincaillerie fournie permet de fixer la hotte à la plupart des murs et des plafonds; consultez un installateur qualifié pour vous assurer que la quincaillerie fournie est adaptée à votre type de mur ou d'armoire.
4. N'utilisez pas de conduit flexible.
5. Dans le cas des endroits sujets aux TEMPÉRATURES FROIDES, il faut installer un clapet de contre-tirage supplémentaire afin de minimiser le retour d'air froid et un isolant thermique non métallique afin de minimiser la conduction de la température extérieur dans le conduit. Il faut placer le clapet du côté de l'air froid de l'isolant thermique.
L'isolant doit être placé le plus près possible de l'endroit où le conduit entre dans la partie chauffée de la maison.
6. Air d'appoint : Le code du bâtiment de votre région peut exiger l'utilisation d'un système d'air d'appoint si vous utilisez un système de ventilation à conduit dont le mouvement d'air dépasse un certain nombre de CFM. Le nombre de pi³/min varie d'une région à l'autre. Consultez un professionnel de CVC pour connaître les exigences précises de votre région.

Liste des pièces

Pièces fournies

Enlever l'emballage




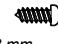
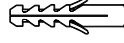

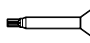
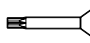

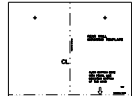
ATTENTION

Enlever délicatement le carton, Porter des gants pour se protéger des bords coupants.

AVERTISSEMENT!

Rassembler les outils et composants nécessaires avant d'entreprendre l'installation.

- Auvent de hotte avec ventilateur et lampes installés
- Raccord de transition installés
- Filtre(s) à graisse en aluminium
- Cache-conduit - 2 pièces
- Sac de matériel avec:

	ETB430S1 ETB436S1	EPT430S1 EPT436S1	EVL430S1 EVL436S1
 5x45 mm	6		
 3,5x9,5 mm	2		
 2,9x6,5 mm			2
 4,2x8 mm	4		
 8x40 mm	6		
 10x50 mm			4
 Torx 10	1		
 Torx 20		1	
 Bride de support du cache-conduit		1	
 Gabarit de montage		1	

Pièces nécessaires

- Câble d'alimentation électrique du domicile
- Serre-câble de 1/2" (12,7 mm) (homologation UL ou CSA)
- 3 connecteurs de fils homologués UL

Pour les installations avec décharge à l'extérieur, il vous faudra aussi :

- 1 bouche de décharge (décharge à travers le mur ou à travers le toit)
- Circuit d'évacuation métallique

Pièces non fournies

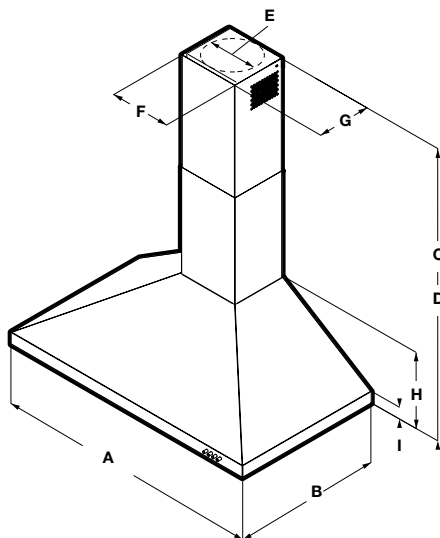
Accessoires Optionnel

	ETB430S1 ETB436S1	EPT430S1 EPT436S1	EVL430S1 EVL436S1
Recyclage Kit	KIT02721		KIT02766
Filtre à charbon Kit	KIT02667		

Outils nécessaires

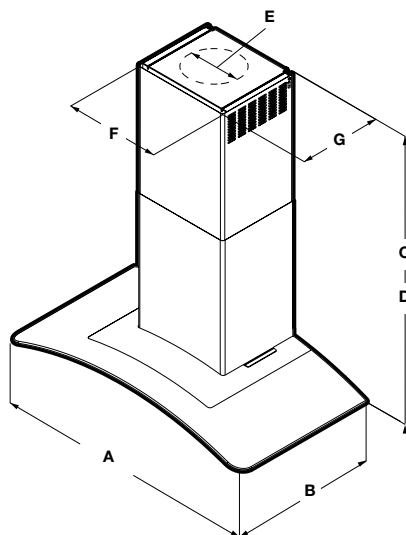
- Niveau
- Perceuse avec forets de 1/4" (3,0 cm)
- Crayon
- Pince à dénuder ou couteau utilitaire
- Mètre-ruban ou règle
- Pince
- Pistolet à calfeutrage et composé de calfeutrage résistant aux intempéries
- Brides de conduit
- Scie sauteuse ou scie à guichet
- Tournevis à lame plate
- Cisaille de ferblantier
- Tournevis Phillips

Dimensions du Produit



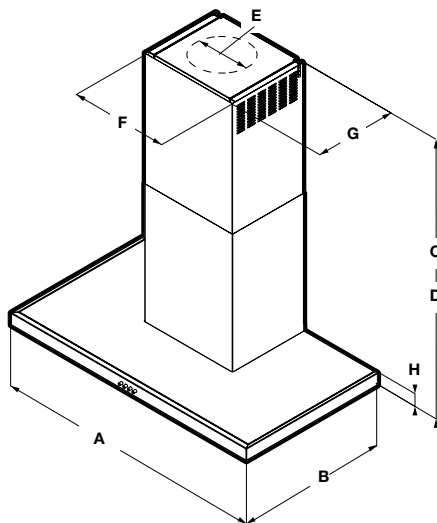
	EVL430S1	EVL436S1
A	30" (76.2cm)	36" (91.4cm)
B	20" (50.8cm)	
C*	max. 42 ¹ / ₁₆ " (106.9cm) min. 28 ⁷ / ₁₆ " (73.3cm)	
D**	max. 38" (96.6cm) min. 28 ³ / ₁₆ " (72cm)	
E	6" (15.24cm)	
F	8 ¹ / ₈ " (20.7cm)	
G	7 ¹ / ₄ " (18.4cm)	
H	10" (25.4cm)	
I	1 ¹ / ₂ " (4cm)	

*Pour installations sans décharge à l'extérieur (recyclage)
**Pour installations avec décharge à l'extérieur



	EPT430S1	EPT436S1
A	30" (76.2cm)	36" (91.4cm)
B	19 ¹ / ₁₆ " (50cm)	
C*	max. 37 ⁷ / ₁₆ " (94.4cm) min. 24 ⁵ / ₁₆ " (62.6cm)	
D**	max. 33" (84cm) min. 20 ³ / ₄ " (52.7cm)	
E	6" (15.24cm)	
F	13 ³ / ₁₆ " (33.5cm)	
G	10 ¹ / ₈ " (27.6cm)	

*Pour installations sans décharge à l'extérieur (recyclage)
**Pour installations avec décharge à l'extérieur



	ETB430S1	ETB436S1
A	30" (76.2cm)	36" (91.4cm)
B	20" (50.8cm)	
C*	max. 35 ⁵ / ₁₆ " (89.3cm) min. 21 ¹ / ₁₆ " (55.1cm)	
D**	max. 31 ³ / ₁₆ " (79.3cm) min. 21 ¹ / ₁₆ " (55.1cm)	
E	6" (15.24cm)	
F	8 ¹ / ₈ " (20.7cm)	
G	7 ¹ / ₄ " (18.4cm)	
H	10" (25.4cm)	

*Pour installations sans décharge à l'extérieur (recyclage)
**Pour installations avec décharge à l'extérieur

Exigences d'emplacement

IMPORTANT: Observer les dispositions de tous les codes et règlements en vigueur.

Confier l'installation de la hotte à un technicien qualifié. C'est à l'installateur qu'incombe la responsabilité de respecter les distances de séparation spécifiées sur la plaque signalétique de l'appareil. La plaque signalétique de l'appareil est située derrière le filtre, sur la paroi arrière de la hotte.

On doit toujours installer la hotte à distance des sources de courant d'air (fenêtres, portes et bouches de chauffage).

Respecter les dimensions indiquées pour les ouvertures à découper dans les placards. Ces dimensions tiennent compte des valeurs minimales des dégagements de séparation.

On doit disposer d'une prise de courant électrique reliée à la terre. Voir la section "Spécifications électriques".

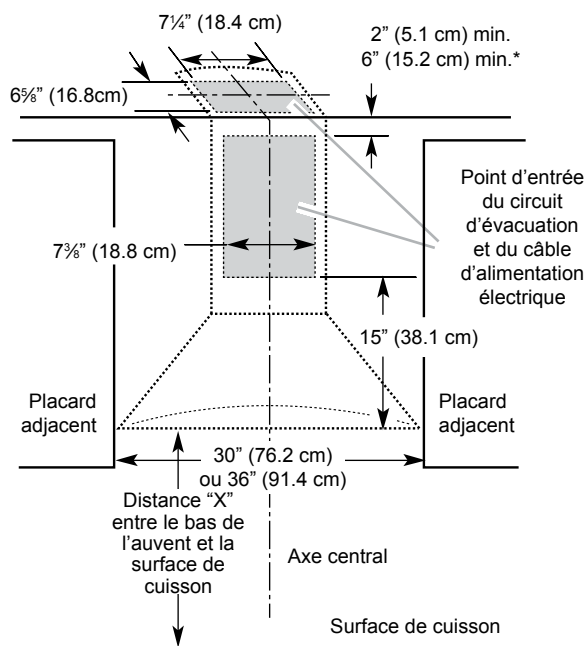
La hotte est configurée à l'usine pour la décharge à travers le toit ou un mur. Pour une installation sans décharge à l'extérieur (recyclage), voir "Installations sans décharge à l'extérieur (recyclage) uniquement" à la section "Raccordement du circuit d'évacuation".

On doit assurer l'étanchéité au niveau de chaque ouverture découpée dans le plafond ou un mur traversé par l'équipement de la hotte.

Installation dans une résidence mobile

L'installation de cette hotte doit satisfaire aux exigences de la norme Manufactured Home Construction Safety Standards, Titre 24 CFR, partie 328 (anciennement Federal Standard for Mobile Home Construction and Safety, titre 24, HUD, partie 280); lorsque cette norme n'est pas applicable, l'installation doit satisfaire aux critères de la plus récente édition de la norme Manufactured Home Installation 1982 (Manufactured Home Sites, Communities and Setups) ANSI A225.1/NFPA 501A, ou des codes locaux.

Dimensions du placard



IMPORTANT:

Valeur minimale de la distance "X" : 24" (61 cm) à partir de la surface de cuisson électrique.

Valeur minimale de la distance "X" : 27" (68,6 cm) à partir des surfaces de cuisson au gaz.

Valeur maximale suggérée pour la distance "X": 36" (91,4 cm)

Les cache-conduits peuvent être adaptés à différentes hauteurs de plafond. Voir le tableau suivant.

Installations avec décharge à l'extérieur		
	Hauteur min. sous plafond	Hauteur max. sous plafond
Surface de cuisson électrique	7' 5" (2.26 m)	9' 2" (2.79 m)
Surface de cuisson à gaz	7' 8" (2.34 m)	9' 2" (2.79 m)
Installations sans décharge à l'extérieur (recyclage)		
	Hauteur min. sous plafond	Hauteur max. sous plafond
Surface de cuisson électrique	7' 5" (2.26 m)	9' 6" (2.9 m)
Surface de cuisson à gaz	7' 8" (2.34 m)	9' 6" (2.9 m)

***REMARQUE:** Les cache-conduits de hotte sont réglables; on peut les ajuster en fonction de la hauteur disponible sous plafond ou soffite, selon la distance "X" entre le bas de la hotte et la surface de cuisson.

Exigences concernant l'évacuation

(seulement pour un modèle avec décharge à l'extérieur)

- Le circuit d'évacuation doit décharger l'air à l'extérieur, excepté pour une installation sans décharge à l'extérieur (recyclage).
- Ne pas terminer le circuit d'évacuation dans un grenier ou dans un autre espace fermé.
- Ne pas utiliser une bouche de décharge murale de 4" (10,2 cm) normalement utilisée pour un équipement de buanderie.
- Utiliser uniquement du conduit métallique. Le conduit en métal rigide est recommandé. Ne pas utiliser de conduit de plastique ou en aluminium.
- La longueur du circuit d'évacuation et le nombre de coudes doivent être réduits au minimum pour fournir une bonne performance.

Pour un fonctionnement efficace et silencieux :

- Ne pas utiliser plus de trois coudes à 90°.
- Veiller à ce qu'il y ait une section droite de conduit de 24" (61,0 cm) ou plus entre deux coudes, si on doit utiliser plus de un raccord coudé.
- Ne pas connecter 2 coudes ensemble.
- Au niveau de chaque jointure du circuit d'évacuation, assurer l'étanchéité avec les brides de serrage pour conduit.
- Le circuit d'évacuation doit comporter un clapet anti-reflux. Si la bouche de décharge murale ou par le toit comporte un clapet, ne pas utiliser le clapet fourni avec la hotte.
- Autour de la bouche de décharge à l'extérieur (mur ou toit), assurer l'étanchéité avec un composé de calfeutrage. La taille du conduit doit être uniforme.

Installation dans une région à climat froid

On doit installer un clapet anti-reflux additionnel pour minimiser le reflux d'air froid, et incorporer un élément d'isolation thermique pour minimiser la perte de chaleur par conduction par l'intermédiaire du circuit d'évacuation, de l'intérieur de la maison à l'extérieur. Le clapet anti-reflux doit être placé du côté froid par rapport à l'élément d'isolation thermique. L'élément d'isolation thermique doit être aussi proche que possible de l'endroit où le circuit d'évacuation pénètre la partie chauffée de la maison.

Air d'appoint

Le code du bâtiment local peut exiger l'emploi d'un système de renouvellement de l'air/introduction d'air d'appoint, lors de l'utilisation d'un système d'aspiration de débit supérieur à une valeur (pieds cubes par minute) spécifiée. Le débit spécifié, pieds cubes par minute, est variable d'une juridiction à une autre. Consulter un professionnel des installations de chauffage/ventilation/climatisation au sujet des exigences spécifiques applicables dans la juridiction locale.

Méthodes d'évacuation

Cette hotte a été configurée à l'usine pour la décharge de l'air aspiré à travers le toit ou à travers un mur.

Un circuit d'évacuation en conduit rond de 6" (15,2 cm) (non fourni) est nécessaire pour l'installation. La hotte comporte une ouverture de sortie de diamètre 6" (15,2 cm).

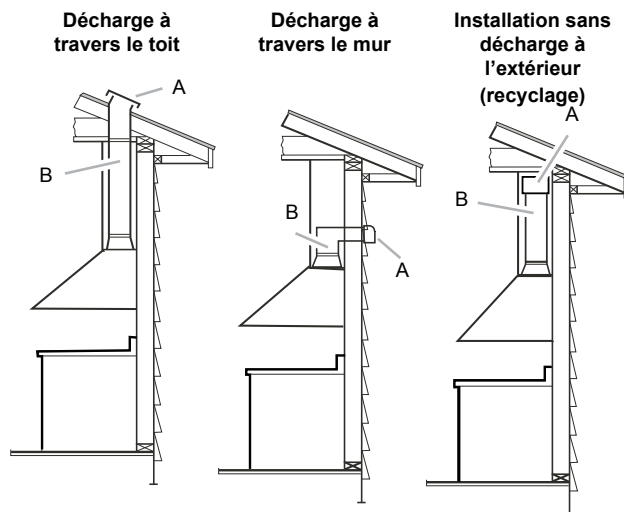
REMARQUE: On déconseille l'emploi de conduit flexible. Un conduit flexible peut causer une rétropression et des turbulences de l'air, ce qui réduit considérablement la performance. La sortie à l'extérieur du circuit d'évacuation peut se faire à travers le toit ou à travers un mur. Pour la sortie à travers un mur, on doit employer un raccord coudé (90°).

Décharge par l'arrière

Le raccord coudé à 90° peut être installé immédiatement audessus de la hotte.

Installations sans décharge à l'extérieur (recyclage)

S'il n'est pas possible d'évacuer les fumées et vapeurs de cuisson à l'extérieur, on peut employer la version d'installation sans décharge à l'extérieur (recyclage) de la hotte à l'aide d'un ensemble de recyclage comprenant un déflecteur (fourni) et des filtres à charbon (non fournis). Pour commander, voir la section "Assistance ou service".



A. Bouche de décharge sur toit
B. Conduit rond 6" (15,2 cm)

A. Bouche de décharge murale
B. Conduit rond 6" (15,2 cm)

A. Déflecteur d'air
B. Conduit rond 6" (15,2 cm)

Instructions d'installation

Préparation de l'emplacement

- Il est recommandé d'installer le circuit d'évacuation avant de procéder à l'installation de la hotte.
 - Avant d'exécuter les découpages, vérifier la disponibilité d'un dégagement suffisant dans le plafond ou le mur pour le conduit d'évacuation.
 - Avant de sélectionner la hotte à installer, mesurer la hauteur libre sous plafond et la hauteur maximum disponible sous la hotte.
1. Déconnecter la source de courant électrique.
 2. Déterminer la méthode d'évacuation à utiliser : décharge à travers le mur, le toit ou sans décharge à l'extérieur.

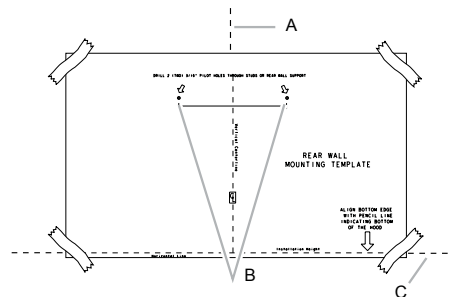
Sélectionner une surface plane pour l'assemblage de la hotte. Placer le matériau de protection sur cette surface. À l'aide de deux personnes ou plus, soulever la hotte et la poser sur la surface couverte.

AVERTISSEMENT: Risque du poids excessif
Utiliser deux ou plus de personnes pour déplacer et installer la hotte de la cuisinière.

3. À l'aide de deux personnes ou plus, soulever la hotte et la poser sur la surface couverte.

Installation des vis de montage de la hotte

1. Déterminer et marquer la position de l'axe central sur le mur où la hotte sera installée.
2. Sélectionner une hauteur de montage comprise entre un minimum de 24" (61,0 cm) pour une surface de cuisson électrique, un minimum de 27" (68,6 cm) pour une surface de cuisson au gaz et un maximum suggéré de 36" (91,4 cm) entre le dessus et le bas de la hotte. Marquer la ligne de repérage sur le mur.
3. Fixer le gabarit en place avec du ruban adhésif; aligner l'axe central du gabarit et le bas du gabarit avec la ligne correspondant au bas de la hotte, et avec l'axe central déjà tracé sur le mur.



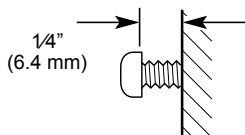
A. Axe central
B. Emplacements des attaches
C. Ligne de référence pour la hauteur de montage

4. À l'aide du gabarit, marquer sur le mur le centre des attaches.

IMPORTANT : Toutes les vis de montage de la hotte doivent être vissées dans du bois. Si l'on ne peut pas visser les vis de montage de la hotte dans du bois, des tasseaux supplémentaires pour accrochage mural seront peut-être nécessaires. Retirer le gabarit.

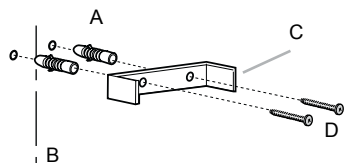
5. Percer des avant-trous de $\frac{3}{16}$ " (4,8 mm) à tous les emplacements de pose des vis dans du bois.

- Installer les 2 vis de montage de 5 x 45 mm. Laisser un espace de $\frac{1}{4}$ " (6,4 mm) entre le mur et l'arrière de la tête de vis pour faire glisser la hotte et la mettre en place.



Installation de la bride de cache-conduit

- Fixer la bride de support du cache-conduit au mur à l'aide des 2 vis de montage de 2 - 5 x 45 mm.



- A. Chevilles d'ancrage de 8 x 40 mm
 B. Axe central sur le mur
 C. Bride de support du cache-conduit
 D. Vis de 5 x 45 mm

Achever la préparation

- Déterminer et effectuer tous les découpages nécessaires dans le mur pour le passage du circuit d'évacuation. Installer le circuit d'évacuation avant la hotte. Voir la section "Exigences concernant l'évacuation".
- Déterminer la hauteur appropriée pour le cordon d'alimentation du domicile et percer un trou de $\frac{1}{4}$ " (3,2 cm) à cet endroit.
- Acheminer le câble d'alimentation du domicile selon les prescriptions du Code national de l'électricité, des normes CSA et des codes et règlements locaux. Il faut que la longueur du conduit de $\frac{1}{2}$ " et des conducteurs soit suffisante depuis le tableau de distribution (avec fusibles ou disjoncteurs) pour réaliser le raccordement dans le boîtier de connexion de la hotte.

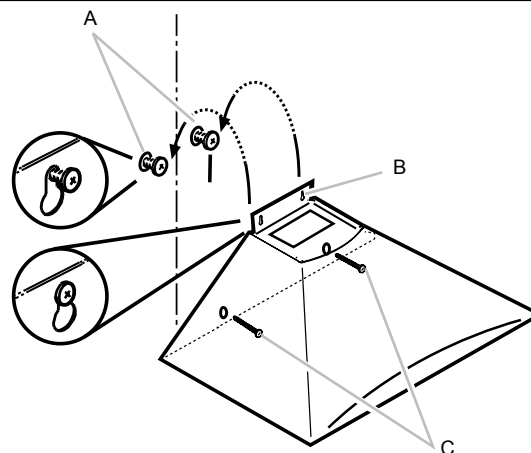
REMARQUE : Ne pas remettre le système sous tension avant d'avoir complètement terminé l'installation.

- Utiliser un calfeutrant pour assurer l'étanchéité au niveau de chaque ouverture.

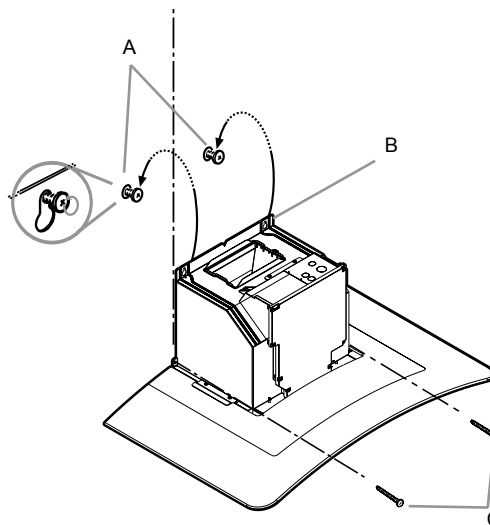
Installation de la hotte

- À deux personnes au moins, suspendre la hotte aux 2 crochets de montage, à travers les encoches de montage à l'arrière de la hotte.

MODÈLES EVL43



MODÈLES EPT43 & ETB43

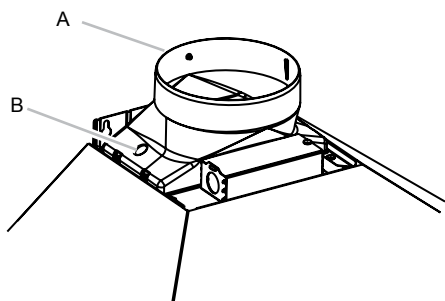


- A. Vis de montage
 B. Encoches de montage
 C. Vis de montage inférieures

- Ôter le filtre à graisse. Voir la section "Entretien de la hotte".
- Mettre la hotte de niveau et serrer les vis de montage supérieures.
- Installer les 2 vis de montage inférieures de 5 x 45 mm et serrer.

Raccordement du circuit d'évacuation

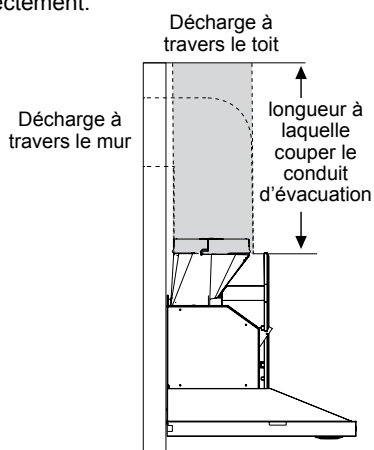
1. Installer le raccord de transition au sommet de la hotte (s'il a été enlevé pour expédition), avec 2 vis de tôlerie de 3,5 x 9,5 mm.



A. Raccord de transition
B. Vis de 3,5 x 9,5 mm

Pour les installations avec décharge à l'extérieur uniquement:

1. Installer le circuit d'évacuation sur le raccord de transition.
2. Serrer le point de connexion avec des brides de serrage.
3. Vérifier que les clapets anti-retour fonctionnent correctement.



4. Assurer l'étanchéité des raccordements avec une bride de conduit.

Raccordement électrique

MODÈLES EVL43

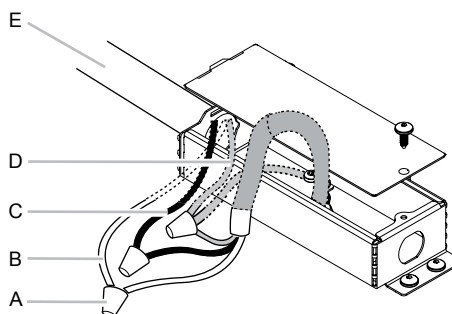
AVERTISSEMENT: Risque de choc électrique

Déconnecter la source de courant électrique avant l'entretien.

Replacer pièces et panneaux avant de faire la remise en marche.

Le non-respect de ces instructions peut causer un décès ou un choc électrique.

1. Déconnecter la source de courant électrique.
2. Ôter le couvercle de la boîte de connexion.
3. Ôter l'opercule arrachable du boîtier de connexion et installer un serre-câble de 1/2" (homologation UL ou CSA).
4. Acheminer le cordon d'alimentation du domicile à travers le serre-câble de 1/2" jusque dans le boîtier de connexion.



A. Connecteurs de fils (homologation UL)
B. Conducteurs blancs
C. Conducteurs noirs
D. Conducteur vert (ou nu) connecté aux conducteurs jaune-vert
E. Câble d'alimentation électrique du domicile

5. Connecter ensemble les conducteurs blancs (B) à l'aide de connecteurs de fils (homologation UL).
6. Connecter ensemble les conducteurs noirs (C) à l'aide de connecteurs de fils (homologation UL).

AVERTISSEMENT: Risque de choc électrique.

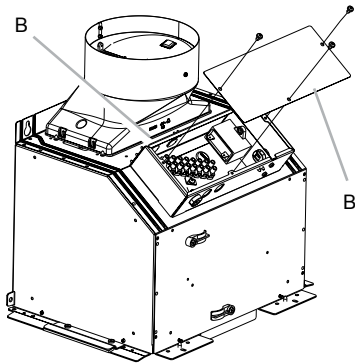
Relier le ventilateur à la terre.

Brancher le fil relié à la terre au fil vert et jaune relié à la terre dans la boîte de la borne.

Le non-respect de ces instructions peut causer un décès ou un choc électrique.

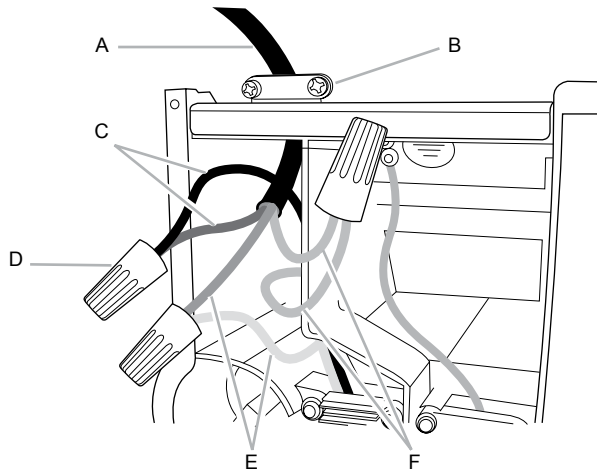
7. À l'aide des connecteurs de fils (homologation UL), connecter le conducteur de liaison à la terre (vert ou nu) du câble d'alimentation du domicile aux conducteurs jaune-vert de liaison à la terre (D) dans le boîtier de connexion.
8. Serrer la vis du serre-câble.
9. Installer le couvercle du boîtier de connexion.
10. Reconnecter la source de courant électrique.

1. Déconnecter la source de courant électrique.
2. Ôter le couvercle du boîtier de connexion.
3. Ôter l'opercule arrachable du boîtier de connexion et installer un serre-câble de 1/2" (homologation UL ou CSA).



A. Opercule arrachable
B. Couvercle du boîtier de connexion

4. Acheminer le cordon d'alimentation du domicile à travers le serre-câble, dans le boîtier de connexion.



A. Câble d'alimentation électrique
B. Serre-câble (homologation UL ou CSA)
C. Conducteurs noirs
D. Connecteurs de fils (homologation UL)
E. Conducteurs blancs
F. Conducteurs verts (ou nus) et vert-jaunes de liaison à la terre

5. Connecter ensemble les conducteurs noirs (C) à l'aide de connecteurs de fils (homologation UL).
6. Connecter ensemble les conducteurs blancs (E) à l'aide de connecteurs de fils (homologation UL). la terre

AVERTISSEMENT: Risque de choc électrique.

Relier le ventilateur à la terre.

Brancher le fil relié à la terre au fil vert et jaune relié à la terre dans la boîte de la borne.

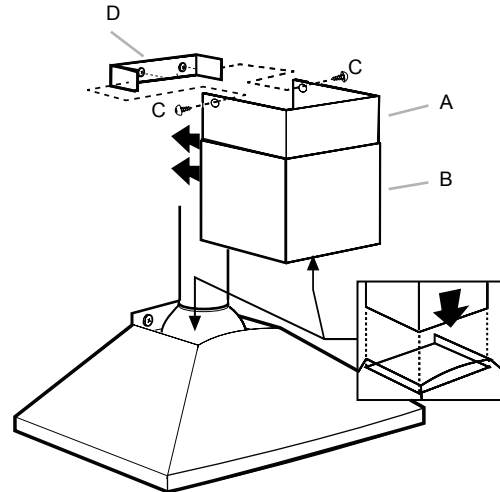
Le non-respect de ces instructions peut causer un décès ou un choc électrique.

7. À l'aide des connecteurs de fils (homologation UL), connecter le conducteur de liaison à la terre (vert ou nu) du câble d'alimentation du domicile au conducteur vert-jaune de liaison à la terre (F) dans le boîtier de connexion.
8. Serrer la vis du serre-câble.
9. Installer le couvercle du boîtier de connexion.
10. Vérifier que chaque ampoule est bien insérée dans sa douille.
11. Reconnecter la source de courant électrique.

Installation des cache-conduit

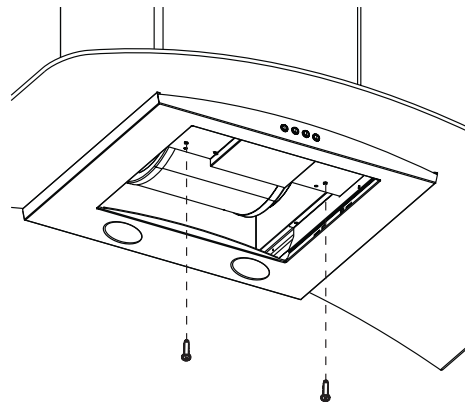
1. En cas d'utilisation des sections supérieure et inférieure du cache-conduit, pousser la section inférieure vers le bas, sur la hotte et soulever la section supérieure vers le plafond pour installer avec deux vis.

REMARQUE: Pour les installations avec décharge à l'extérieur, le cache-conduit supérieur peut être inversé pour dissimuler les fentes.



A. Section supérieure du cache-conduit
B. Cache-conduit section inférieure
C. Vis de 2,9 x 6,5 mm pour modèles EVL43
Vis de 4,2 x 8 mm pour modèles EPT43 & ETB43
D. Bride

2. Fixer le fond du conduit avec 2 vis de 4,2 x 8 mm. (seulement modèles EPT43 & ETB43).



Achever l'installation

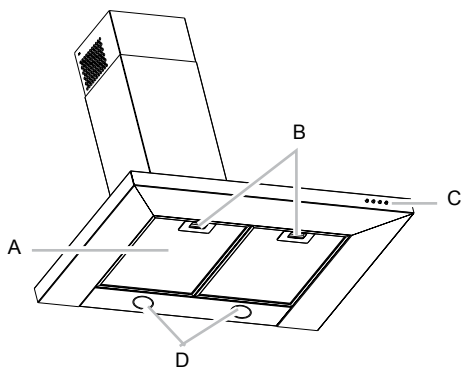
1. Pour les installations sans décharge à l'extérieur (recyclage) uniquement, installer les filtres à charbon sur les filtres à graisse à l'aide des attaches fournies avec l'ensemble. Voir la section "Entretien de la hotte".
2. Installer les filtres métalliques. Voir la section "Entretien de la hotte".
3. Contrôler le fonctionnement du ventilateur de la hotte et de la lampe. Voir la section "Utilisation de la hotte".

REMARQUE : Pour pouvoir tirer le plus grand parti de la nouvelle hotte de cuisinière, lire la section "Utilisation de la hotte".

Utilisation de la hotte

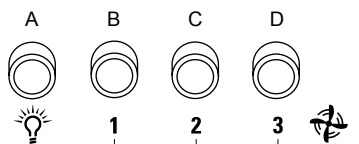
La hotte de cuisinière est conçue pour extraire fumée, vapeurs de cuisson et odeurs de la zone de la table de cuisson. Pour obtenir les meilleurs résultats, mettre le ventilateur de la hotte en marche avant d'entreprendre une cuisson, et la laisser fonctionner pendant plusieurs minutes après l'achèvement d'une cuisson pour pouvoir évacuer de la cuisine toute trace d'odeur de cuisson, vapeur ou fumée.

Les commandes de la hotte sont situées sur le panneau avant de celle-ci, du côté droit.



- A. Filtre à graisse
- B. Poignée du filtre à graisse
- C. Commandes du ventilateur et de l'éclairage
- D. Logements des lampes halogènes

Commandes de la hotte de cuisinière



- A. Bouton d'éclairage On/Off (marche/arrêt)
- B. Bouton de vitesse minimale et d'arrêt du ventilateur
- C. Bouton de vitesse moyenne du ventilateur
- D. Bouton de vitesse maximale du ventilateur

Utilisation de la lampe

Le bouton d'éclairage On/Off contrôle les deux lampes. Appuyer une fois pour On (marche) et une deuxième fois pour Off (arrêt).

Utilisation du ventilateur

Les boutons BLOWER SPEED (vitesse du ventilateur) activent le ventilateur et contrôlent la vitesse du ventilateur et le niveau sonore pour un fonctionnement silencieux. On peut modifier la vitesse à tout moment pendant le fonctionnement du ventilateur en appuyant sur le bouton de vitesse du ventilateur souhaité.

Appuyer une deuxième fois sur le bouton BLOWER OFF (arrêt ventilateur) pour éteindre le ventilateur.

Entretien de la hotte

Nettoyage

IMPORTANT: Nettoyer fréquemment la hotte et les filtres à graisse en suivant les instructions suivantes. Réinstaller les filtres à graisse avant de faire fonctionner la hotte.

Surfaces externes:

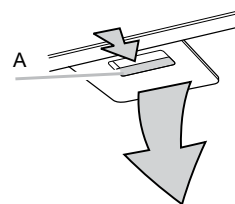
Afin d'éviter d'endommager la surface externe, ne pas utiliser de tampons en laine d'acier ou de tampons à récurer savonneux. Toujours essuyer pour éviter de laisser des traces d'eau.

Méthode de nettoyage :

- Savon détergent liquide et eau, ou produit de nettoyage polyvalent.
- Frotter avec un chiffon doux humide ou une éponge non abrasive, puis rincer avec de l'eau propre et essuyer.

Filtre à graisse du Aluminium:

1. Retirer chaque filtre en tirant sur la poignée à ressort puis en tirant le filtre vers le bas.



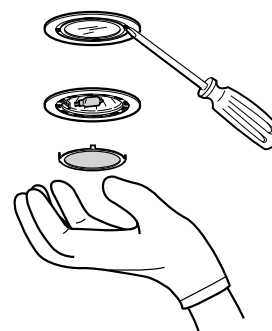
A. Poignée à ressort

2. Laver les filtres métalliques selon le besoin au lave-vaisselle ou avec une solution de détergent chaude.
 3. Réinstaller le filtre en s'assurant que les poignées à ressort sont orientées vers l'avant. Insérer le filtre d'aluminium dans la rainure supérieure.
 4. Enfoncer la poignée à ressort.
 5. Pousser le filtre métallique vers le haut et relâcher la poignée pour l'emboîter.
- Répéter les étapes 1 à 5 pour l'autre filtre.

Remplacement d'une lampe à halogène

Interrompre l'alimentation de la hotte; attendre le refroidissement de la lampe à halogène. Pour éviter d'endommager ou de réduire la longévité de l'ampoule neuve, ne pas toucher l'ampoule avec les doigts nus. Remplacer la lampe en la manipulant avec un mouchoir de papier ou des gants de coton. Si les nouvelles lampes ne fonctionnent pas, vérifier que chaque lampe est correctement insérée dans sa douille avant de demander l'intervention d'un dépanneur

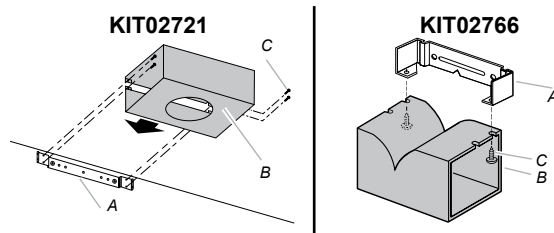
1. Déconnecter la source de courant électrique.
2. À l'aide d'un tournevis à lame plate, dégager le protègeampoule avec précaution.



3. Enlever la lampe, et remplacer par une lampe à halogène neuve de 120 V/40 W maximum, à culot de type G-9.
4. Réinstaller le protège-ampoule.
5. Reconnecter la source de courant électrique.

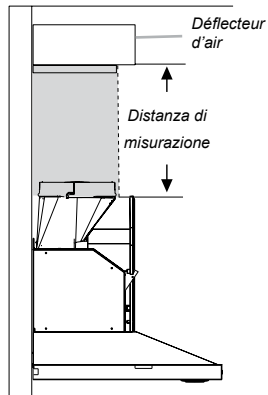
INSTALLATION KIT DE RECYCLAGE:

1. Après le support du conduit été installé sur le mur, assembler le déflecteur d'air sur la bride de cache-conduit avec les vis de montage.



A. Bride de cache-conduit
B. Déflecteur
C. Vis de montage

2. Mesurer la distance entre le bas du déflecteur et le bas de la sortie de la hotte.

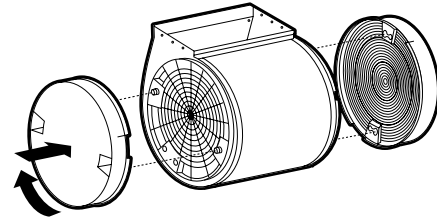


3. Retirer le déflecteur d'air.

4. Faire coulisser le conduit sur le bas du déflecteur d'air.
5. Placer le déflecteur d'air et le conduit assemblés sur la sortie d'évacuation de la hotte.
6. Réassembler le déflecteur sur la bride de cache-conduit à l'aide des 4 vis d'assemblage.
7. Assurer l'étanchéité des raccordements avec une bride de conduit.

Remplacement du filtre à charbon :

1. Placer le filtre à charbon sur la grille protégeant le moteur du ventilateur de façon à ce que les encoches du filtre correspondent aux tiges situées sur les côtés de la grille de protection du moteur.
2. Faire pivoter le filtre à charbon dans le sens horaire pour l'emboîter.
3. Répéter les étapes 1 à 2 pour l'autre filtre.



GARANTIE

ELICA North America

GARANTIE DE DEUX ANS

POUR OBTENIR UN DEPANNAGE SOUS GARANTIE

Le propriétaire doit présenter une preuve de la date d'achat. Garder une copie de votre preuve d'achat datée (ticket de caisse) de façon à pouvoir bénéficier du service après-vente sous garantie.

GARANTIE PIECES DE RECHANGE ET MAIN D'OEUVRE

Pendant une période de deux (2) ans à partir de la date d'achat, Elica s'engage à fournir gratuitement les pièces de rechange ou les composants autres que les recharges ayant des défauts de fabrication.

Durant cette garantie de deux (2) ans, Elica fournira également gratuitement, toute la main d'oeuvre et le service à domicile pour remplacer d'éventuelles pièces défectueuses.

CE QUE LA GARANTIE NE COUVRE PAS

- Dégât ou panne du produit causé par un accident ou un cas de force majeure tels que inondation, incendie ou tremblement de terre.
- Dégât ou panne du produit causé par modification du produit ou utilisation de pièces pas d'origine.
- Dégât ou panne du produit causé lors de la livraison, de la manipulation ou de l'installation.
- Dégât ou panne du produit causé par une mauvaise utilisation.
- Dégât ou panne du produit causé par un remplacement des fusibles ou une remise en fonction des disjoncteurs par le propriétaire.
- Dégât ou panne du produit causé par une utilisation du produit pour raison commerciale.
- Déplacement à domicile pour explication d'utilisation ou d'entretien.
- Ampoules, filtres métalliques ou au charbon et toute autre pièce consommable.
- Usure normale.
- Usure due à une mauvaise utilisation du propriétaire, un entretien incorrect, une utilisation de substances nettoyantes corrosives ou abrasives et produits de nettoyage pour four.

QUI EST COUVERT

Cette garantie s'étend à l'acheteur original de produits achetés pour un usage domestique habituel en Amérique du Nord (Y compris Etats Unis, Guam, Porto Rico, les Iles virgin Américaines & le Canada).

Cette garantie n'est pas transférable et vaut uniquement pour l'acheteur original et ne s'étend pas aux propriétaires successifs du produit. Cette garantie vaut expressément en lieu et place de toute autre garantie, expresse ou sous-entendue, mais ne limite pas toute autre garantie sous-entendue de marchandage ou adaptation dans un but particulier et toute autre obligation de la part de Elica North America, étant entendu, cependant, que si la réclamation pour garanties sous-entendues n'est pas applicable aux yeux de la loi en vigueur, la durée de toute garantie sous-entendue émanant de la loi doit être limitée à deux (2) ans à partir de la date d'achat du produit ou à une période plus longue selon ce que dit la loi en vigueur.

Cette garantie ne couvre pas tout dégât particulier, accidentel et/ou consécutif, ni les pertes et profits, à charge du propriétaire, des ses clients et/ou des utilisateurs Des produits.

QUI CONTACTER

Pour obtenir un Service Après-vente durant la Garantie ou pour toute autre Question liée au Service Après-vente

Appeler:

- Elica North America Authorized Service at (888) 732-8018

Ou écrire à:

- Elica North America, Attention Customer Service,
6658 156th Avenue SE,
Bellevue, WA 98006 USA
infoamericas@elica.com

Español

Contenido

Instrucciones importantes de seguridad	28
Requisitos eléctricos y de instalación	29
Requisitos Eléctricos	29
Antes de instalar la campana.....	29
Lista de Materiales	30
Partes provistas	30
Partes no provistas	30
Dimensiones del Producto	31
Requisitos de ubicación	32
Requisitos de ventilación	32
Métodos de ventilación.....	32
Instrucciones de Instalación	33
Preparación de la Ubicación.....	33
Instalación de su campana.....	34
Conexión del suministro eléctrico.....	35
Controles de su campana	36
Cuidado de su campana	37
Garantía	38

**APROBADO PARA APARATOS
DE USO DOMÉSTICO
SÓLO PARA USO DOMÉSTICO
LEA Y GUARDE ESTAS INSTRUCCIONES**

**ANTES DE CONTINUAR, LEA LAS INSTRUCCIONES POR COMPLETO.
LA INSTALACIÓN DEBE CUMPLIR TODA LA NORMATIVA LOCAL.**

IMPORTANTE: Guarde estas instrucciones para su uso por parte del inspector de electricidad local.

INSTALADOR: Entregue al propietario estas instrucciones junto con la unidad.

PROPIETARIO: Conserve estas instrucciones para futuras consultas.

Advertencia de seguridad: Antes de realizar el cableado de este aparato, desactive el circuito de energía eléctrica en el panel de servicio y desbloquee el panel.

Requisito: Circuito auxiliar de CA de 120 V, 60 Hz, 15 ó 20 A

INSTRUCCIONES IMPORTANTES DE SEGURIDAD

CUIDADO

PARA USARSE SOLAMENTE EN VENTILACIÓN COMÚN. NO LO UTILICE PARA VENTILAR MATERIALES Y VAPORES PELIGROSOS O EXPLOSIVOS.

ADVERTENCIA

PARA REDUCIR EL RIESGO DE INCENDIO, CHOQUE ELÉCTRICO, O DAÑO A PERSONAS, OBSERVE LO SIGUIENTE:

- A. Use esta unidad sólo de la manera para la que fue diseñada por el fabricante. Si tiene preguntas, póngase en contacto con el fabricante.
- B. Antes de dar servicio o limpiar esta unidad, apague el suministro de energía en el panel de servicio, y bloquee los medios de desconexión del servicio para evitar que se encienda accidentalmente el suministro de energía. Cuando el medio de desconexión del servicio no se pueda bloquear, sujete de manera segura un dispositivo de advertencia prominente, como podría ser una etiqueta, al panel de servicio.
- C. El trabajo de instalación y cableado se debe llevar a cabo por una persona(s) calificada(s), en conformidad con todos los códigos y estándares aplicables, incluyendo construcciones clasificadas como resistentes al fuego.
- D. Es necesario que haya suficiente aire para la adecuada combustión y ventilación de gases a través del conducto (la chimenea) del equipo que consume combustible, para evitar que ocurra contratiro. Siga la guía y los estándares de seguridad del fabricante del equipo de calefacción, como serían aquéllos publicados por National Fire Protection Association (NFPA) (Asociación nacional de protección contra incendios), American Society for Heating, Refrigeration and Air Conditioning Engineers (ASHRAE) (Sociedad estadounidense para ingenieros de calefacción, refrigeración y acondicionamiento de aire) y las autoridades de códigos locales.
- E. Cuando corte o taladre en una pared o techo, no dañe el cableado ni otros servicios públicos.
- F. Los ventiladores con conductos siempre deben dar salida al aire hacia el exterior.

CUIDADO: Para reducir el riesgo de incendio y para ventilar el aire adecuadamente, asegúrese de dirigir el conducto de ventilación hacia el exterior - no ventile el aire de salida a espacios dentro de paredes o techos, áticos, espacios angostos o garajes.

ADVERTENCIA: PARA REDUCIR EL RIESGO DE INCENDIO, SÓLO USE CONDUCTOS METÁLICOS.

Instale esta campana de acuerdo a todos los requerimientos especificados.

ADVERTENCIA: A fin de reducir el riesgo de incendio o de choque eléctrico, no use este ventilador con ningún dispositivo semiconductor para el control de la velocidad.

ADVERTENCIA:

PARA REDUCIR EL RIESGO DE INCENDIO EN LA SUPERFICIE DE LA ESTUFA OCASIONADO POR GRASA:

- a) Nunca deje las unidades de superficie sin vigilancia cuando estén en ajustes altos. Los derrames por hervor causan salpicaduras grasosas y humeantes, las cuales pueden encenderse. Caliente los aceites lentamente y con ajustes bajos o medios.
- b) Siempre ENCIENDA la campana cuando cocine con calor alto o cuando flamee alimentos (por ejemplo, crepes Suzette, cerezas Jubileo y flameado de carne de res con pimienta).}
- c) Limpie los ventiladores con frecuencia. No permita que se acumule la grasa en el ventilador o en el filtro.
- d) Use cacerolas del tamaño adecuado. Siempre use utensilios de cocción que sean los adecuados para el tamaño del elemento de la superficie.

ADVERTENCIA: PARA REDUCIR EL RIESGO DE LESIONES A PERSONAS SI SE PRENDE FUEGO EN LA SUPERFICIE DE LA ESTUFA OCASIONADO POR GRASA, OBSERVE LO SIGUIENTE:^a

- a) **EXTINGA LAS LLAMAS** con una tapa que encaje muy bien, una bandeja para galletas o una bandeja metálica, y luego apague el quemador. **TENGA CUIDADO PARA EVITAR QUEMADURAS.** Si las llamas no se extinguen de inmediato, **EVACUE Y LLAME AL DEPARTAMENTO DE BOMBEROS.**
- b) **NUNCA AGARRE UNA CACEROLA QUE ESTÉ ARDIENDO** - podría quemarse.
- c) **NO UTILICE AGUA** ni artículos de limpieza con agua, incluyendo paños para vajilla o toallas mojadas - podría ocurrir una explosión de vapor violenta.
- d) **SÓLO use un extinguidor si:**
 - Sabe a ciencia cierta que tiene un extinguidor de clase ABC y ya sabe cómo utilizarlo.
 - El incendio es pequeño y se encuentra contenido en el lugar en donde se inició.
 - Ha llamado al departamento de bomberos.
 - Puede apagar el fuego con una salida a su espalda.

^aBasado en "Consejos de seguridad para fuegos de cocina", publicado por la NFPA (Asociación nacional de protección contra incendios).

Requisitos eléctricos y de instalación

Requisitos Eléctricos

IMPORTANTE

Siga todos los códigos y normas locales.

Es responsabilidad del cliente:

Contactar a un instalador eléctrico calificado para asegurar que la instalación eléctrica sea adecuada con el National Electrical Code (Código nacional eléctrico), ANSI/NFPA 70 (última edición) o el Canadian Electrical Code (Código canadiense de electricidad), CSA C22.1 No. 0-M91 (última edición).

Si los códigos lo permiten y se emplea un alambre de conexión a tierra separado, es recomendable que un instalador eléctrico calificado determine si la trayectoria de conexión a tierra es adecuada. Usted puede obtener una copia de las normas de los códigos arriba indicadas en:

National Fire Protection Association
1 Batterymarch Park
Quincy, MA 02169-7471
CSA International
8501 East Pleasant Valley Road
Cleveland, OH 44131-5575

■ Se necesita un circuito eléctrico de 120 voltios, 60 hertzios, CA solamente, de 15 ó 20 amperios y protegido con fusibles.

■ Si la casa tiene cableado de aluminio, siga el procedimiento a continuación:

1. Conecte una sección de alambre de cobre sólido a los conductores flexibles.
2. Conecte el cableado de aluminio a la sección añadida de alambre de cobre usando conectores especiales y/o herramientas diseñadas y de la lista de UL para unir el cobre al aluminio.

Siga el procedimiento recomendado por el fabricante del conector eléctrico. La conexión de cobre/aluminio deberá hacerse en conformidad con los códigos locales y las prácticas de cableado aceptadas por la industria.

■ El calibre de los cables y las conexiones deben hacerse de acuerdo con la clasificación del electrodoméstico, como se especifica en la placa de clasificación del modelo/de la serie. La placa del modelo/de la serie está ubicada detrás del filtro, en la pared posterior de la campana.

■ El calibre de los cables deben hacerse de acuerdo a los requisitos del National Electrical Code (Código Nacional Eléctrico), ANSI/NFPA 70 (última edición) o las normas de CSA C22. 1-94 Canadian Electrical Code (Código Canadiense de Electricidad), Parte 1 y C22.2 N° 0-M91 (última edición), y todos los códigos y ordenanzas locales.

Antes de instalar la campana

1. Para una salida de aire más efectiva, use tramos rectos de ducto o la menor cantidad de codos posible.
CUIDADO: Dirija la salida de aire hacia afuera del edificio.
2. Son necesarias al menos 2 personas para la instalación.
3. Los materiales de instalación provistos aseguran la instalación de su campana al tipo más común de pared.
Consulte con un instalador calificado y verifique que se adecuen a sus necesidades.
4. No use ducto flexible.
5. **INSTALACIONES EN CLIMAS FRÍOS**
Como parte del sistema de ventilación, se deberá instalar una compuerta de contratiro adicional para minimizar el flujo de aire frío hacia atrás, y un dispositivo de interrupción térmico para reducir la conducción de las temperaturas exteriores. La compuerta deberá estar en el lado del aire frío del dispositivo de interrupción térmico. El dispositivo de interrupción deberá estar lo más cerca posible del lugar donde el sistema de ventilación entra a la parte con calefacción de la casa.
6. **AIRE DE COMPLEMENTO**
Los códigos locales de construcción podrían requerir el uso de sistemas de aire de complemento, en el caso de que se usen sistemas de ventilación con un movimiento de aire mayor a los CFM (pies cúbicos por minuto) especificados. Los pies cúbicos por minuto especificados varían entre localidades. Consulte a su profesional de Calefacción, Ventilación y Acondicionamiento de Aire (HVAC) para obtener información sobre los requisitos particulares en su zona.

Lista de Materiales

Partes provistas




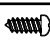
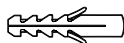

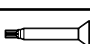
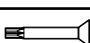

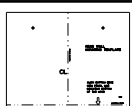
¡CUIDADO!

Retire el cartón con cuidado, utilice guantes para portegerse de filos cortantes.

¡ADVERTENCIA!

Retire el film protector que cubre al producto antes de ponerlo en funcionamiento.

- Ensamblaje de la campana con lámparas instaladas.
- Transición instalada.
- Filtros de aluminio para grasa.
- Cubreductos (2 pzas).
- Bolsa con piezas de instalación:

	ETB430S1 ETB436S1	EPT430S1 EPT436S1	EVL430S1 EVL436S1
 5x45 mm	6		
 3.5x9.5 mm	2		
 2.9x6.5 mm			2
 4.2x8 mm	4		
 8x40 mm	6		
 10x50 mm			4
 Torx 10	1		
 Torx 20		1	
 Estafa cubreductos		1	
 Plantilla de instalación		1	

Partes necesarias

- Cable de suministro eléctrico doméstico
- Protector de cables de 1/2" (12,7 mm) que esté en la lista de UL y aprobado por CSA
- 3 conectores para hilos que estén en la lista de UL

Para las instalaciones con ducto de escape, también necesitará:

- 1 cubierta para pared o techo
- Sistema de ventilación metálico

Partes no provistas

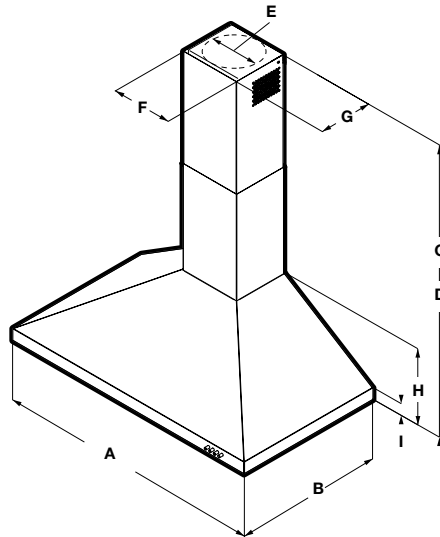
Accesorios Opcionales

	ETB430S1 ETB436S1	EPT430S1 EPT436S1	EVL430S1 EVL436S1
Kit Recirculante	KIT02721		KIT02766
Kit de filtro de carbón	KIT02667		

Herramientas y materiales requeridos

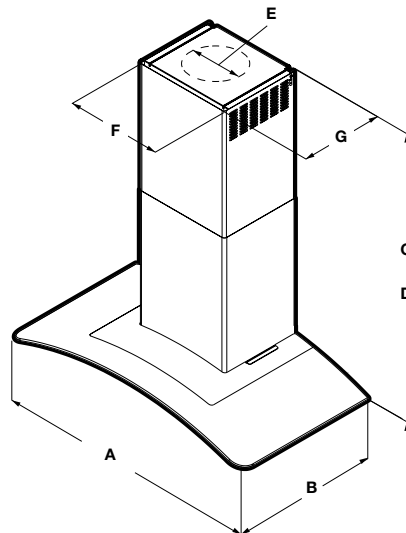
- Nivel
- Taladro con brocas de 1/4" (3.2 cm)
- Lápiz
- Pelacables o cuchillo de uso general
- Cinta de medir o regla
- Pinzas
- Pistola para galafateo y masilla para galafateo a prueba de agua
- Abrazaderas para ducto
- Sierra de vaivén o sierra caladora
- Destornillador de hoja plana
- Tijeras de hojalatero
- Destornillador Phillips

Dimensiones del producto



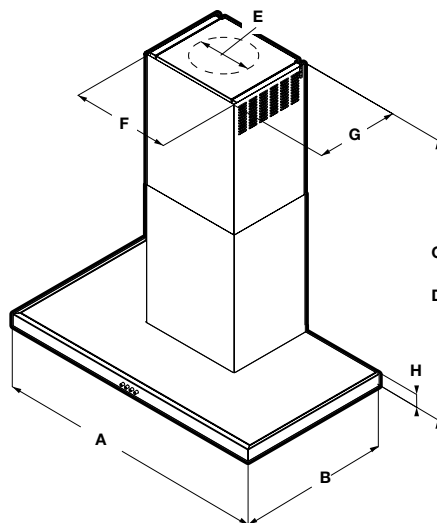
	EVL430S1	EVL436S1
A	30" (76.2cm)	36" (91.4cm)
B	20" (50.8cm)	
C*	max. 42 ¹ / ₆ " (106.9cm) min. 28 ⁵ / ₈ " (73.3cm)	
D**	max. 38" (96.6cm) min. 28 ⁵ / ₈ " (72cm)	
E	6" (15.24cm)	
F	8 ⁵ / ₈ " (20.7cm)	
G	7 ¹ / ₄ " (18.4cm)	
H	10" (25.4cm)	
I	1 ¹ / ₂ " (4cm)	

*Para instalaciones recirculantes
**Para instalaciones filtrantes



	EPT430S1	EPT436S1
A	30" (76.2cm)	36" (91.4cm)
B	19 ¹ / ₆ " (50cm)	
C*	max. 37 ³ / ₆ " (94.4cm) min. 24 ¹ / ₆ " (62.6cm)	
D**	max. 33" (84cm) min. 20 ³ / ₄ " (52.7cm)	
E	6" (15.24cm)	
F	13 ³ / ₆ " (33.5cm)	
G	10 ¹ / ₆ " (27.6cm)	

*Para instalaciones recirculantes
**Para instalaciones filtrantes



	ETB430S1	ETB436S1
A	30" (76.2cm)	36" (91.4cm)
B	20" (50.8cm)	
C*	max. 35 ¹ / ₆ " (89.3cm) min. 21 ¹ / ₆ " (55.1cm)	
D**	max. 31 ¹ / ₆ " (79.3cm) min. 21 ¹ / ₆ " (55.1cm)	
E	6" (15.24cm)	
F	8 ⁵ / ₈ " (20.7cm)	
G	7 ¹ / ₄ " (18.4cm)	
H	10" (25.4cm)	

*Para instalaciones recirculantes
**Para instalaciones filtrantes

Requisitos de ubicación

IMPORTANTE: Observe todos los códigos y ordenanzas aplicables. Haga que un técnico capacitado instale la campana para cocina. Es la responsabilidad del instalador cumplir con los espacios de instalación especificados en la placa con la clasificación de modelo/serie. La placa con clasificación de modelo/serie está ubicada detrás del filtro, en la pared posterior de la campana para cocina.

La ubicación de la campana con escudete deberá estar lejos de zonas con corrientes fuertes de aire, tales como ventanas, puertas u orificios de calefacción fuertes.

Deben usarse las dimensiones de la abertura del armario que se muestran. Las dimensiones proporcionadas proveen los espacios mínimos.

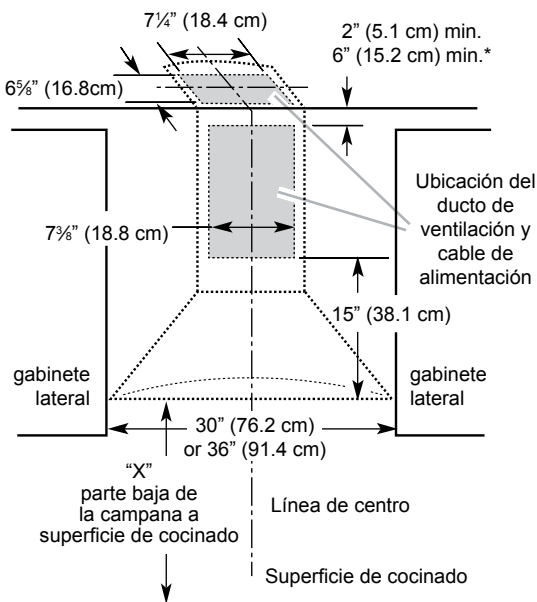
Se requiere un enchufe eléctrico con conexión a tierra. Vea la sección "Requisitos eléctricos".

La campana con escudete se ha ajustado de fábrica para tener una ventilación a través del techo o de la pared. Para ver la instalación sin ducto de escape (con recirculación), consulte "Solamente para las instalaciones sin ducto de escape (con recirculación)" en la sección "Conexión del sistema de ventilación".

Para la instalación en casas rodantes

La instalación de esta campana para cocina debe ajustarse a Manufactured Home Construction Safety Standards - Estándares de seguridad y construcción de casas fabricadas, Título 24 CFR, Parte 328 (anteriormente conocidos como Federal Standard for Mobile Home Construction and Safety [Estándar federal para la seguridad y construcción de casas rodantes], Título 24, HUD Parte 280), o cuando dicho estándar no sea aplicable, el estándar Manufactured Home Installation (Estándar para instalación en casas fabricadas) de 1982 (Manufactured Home Sites, Communities and Setups [Obras, comunidades y proyectos de casas fabricadas]), ANSI A225.1/NFPA 501A, o la última edición o con los códigos locales.

Dimensión del gabinete



IMPORTANTE:

Distancia mínima "X": 24" (61.0 cm) a una estufa eléctrica.

Distancia mínima "X": 27" (68.6 cm) a una estufa de gas.

Distancia máxima sugerida "X": 36" (91.4 cm)

Los caminos pueden ser ajustados a diferentes alturas de techo. Vea la siguiente tabla:

Instalaciones con ducto de salida		
	Altura mín. del techo	Altura max. del techo
estufa eléctrica	7' 5" (2.26 m)	9' 2" (2.79 m)
estufa de gas	7' 8" (2.34 m)	9' 2" (2.79 m)
Instalaciones recirculantes		
	Altura mín. del techo	Altura max. del techo
estufa eléctrica	7' 5" (2.26 m)	9' 6" (2.9 m)
estufa de gas	7' 8" (2.34 m)	9' 6" (2.9 m)

*NOTA: Las chimeneas de la campana para cocina son ajustables y se han diseñado para varias alturas de techos o sofitos, dependiendo de la distancia "X" entre la parte inferior de la campana de cocina y la superficie de cocción.

Requisitos de ventilación

(Modelos con ducto de escape solamente)

- El sistema de ventilación debe terminar en el exterior, excepto para las instalaciones sin ducto de escape (con recirculación).
- No dirija la salida del sistema de ventilación hacia el desván u otra área cerrada.
- No utilice una cubierta de pared de tipo para lavandería de 4" (10,2 cm).
- Utilice ducto de escape de metal únicamente. Se recomienda un ducto de escape de metal rígido. No se recomienda ducto de escape de plástico u hoja metálica.
- El largo del sistema de ventilación y el número de codos se deben mantener al mínimo para proveer un funcionamiento eficaz.

Para obtener el funcionamiento más eficaz y silencioso:

- No use más de 3 codos de 90°.
- Asegúrese de que haya un mínimo de 24" (61 cm) de ducto de escape recto entre los codos, si se utiliza más de 1 codo.
- No instale 2 codos lado a lado.
- Use abrazaderas para sellar todas las juntas en el sistema de ventilación.
- El sistema de ventilación debe tener una compuerta. Si la cubierta del techo o la pared tiene una compuerta, no use la compuerta provista con la campana de cocina.
- Utilice masilla de calafateo para sellar la abertura exterior de la pared o el techo alrededor de la cubierta.
- El tamaño del ducto de escape debe ser uniforme.

Métodos de ventilación

Esta campana con escudete se ha ajustado de fábrica para tener una ventilación a través del techo o de la pared. Se requiere un sistema de ventilación redondo de 6" (15,2 cm) para la instalación (no incluido). La abertura de ventilación de la campana es redonda, de 6" (15,2 cm).

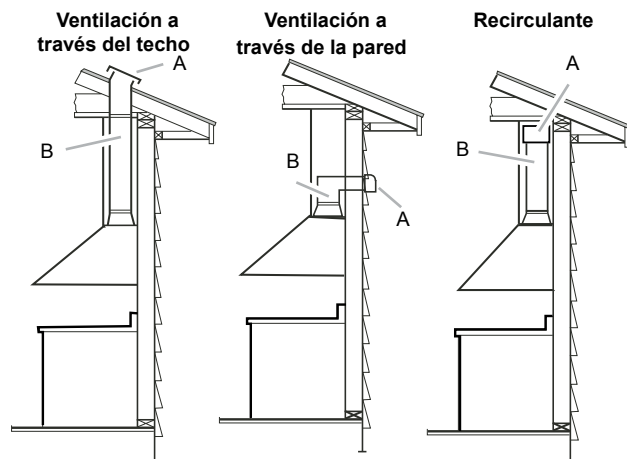
NOTA: No se recomienda el uso de ductos de escape flexibles. Los ductos de escape flexibles crean contrapresión y turbulencia de aire, lo cual reduce el desempeño en gran medida. El sistema de ventilación debe terminar a través del techo o la pared. Para colocar el ducto a través de la pared, se necesita un codo de 90°.

Descarga posterior

Se puede instalar un codo de 90° justo arriba de la campana.

Para las instalaciones sin ducto de escape (con recirculación)

Si no es posible ventilar el humo y los vapores de la cocción al exterior, la campana puede usarse en la versión sin ducto de escape (con recirculación); use el desviador de aire (provisto) y un juego de filtro de carbón (no provisto). Vea la sección “Ayuda o servicio técnico” para obtener información sobre pedidos.



A. Cubierta del techo
B. Ducto de escape redondo de 6" (15,2 cm)

A. Cubierta de la pared
B. Ducto de escape redondo de 6" (15,2 cm)

A. Deflector
B. Ducto de escape redondo de 6" (15,2 cm)

Instrucciones de Instalación

Preparación de la Ubicación

- Se recomienda que el sistema de ventilación sea instalado antes de que se instale la campana.
- Antes de hacer los recortes, asegúrese que haya suficiente espacio libre dentro del techo o la pared para el ducto de escape.
- Revise la altura de su techo y la altura máxima de la campana antes de seleccionar su campana.

- Desconecte el suministro de energía.
- Decida qué método de ventilación usar: a través del techo, de la pared o sin ducto.
- Seleccione una superficie plana para ensamblar la campana de cocina. Cubra dicha superficie.

ADVERTENCIA

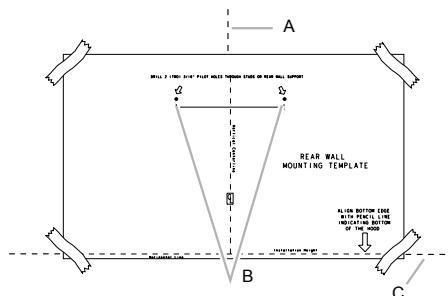
PARA REDUCIR EL RIESGO DE LESIONES A PERSONAS, OBSERVE LO SIGUIENTE:

- Con la ayuda de 2 o más personas, levante la campana de cocina y colóquela en la superficie cubierta.

Instalación de los tornillos de montaje de la campana de cocina

- Determine y marque la línea central en la pared en donde se instalará la campana con escudete.
- Seleccione una altura de montaje entre un mínimo de 24" (61,0 cm) para una superficie de cocción eléctrica, un mínimo de 27" (68,6 cm) para una superficie de cocción a gas y un máximo sugerido de 36" (91,4 cm) por encima de la estufa hasta la parte inferior de la campana. Marque una línea de referencia en la pared.

- Pegue la plantilla con cinta adhesiva en su lugar, alineando la línea central y la parte inferior de la misma con la línea inferior de la campana y con la línea central marcada en la pared.

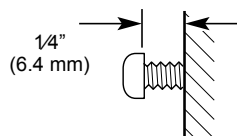


A. Línea de centro
B. Ubicaciones para el ajustador
C. Referencia para la altura de montaje

- Marque los centros de las ubicaciones de los ajustadores a través de la plantilla en la pared.

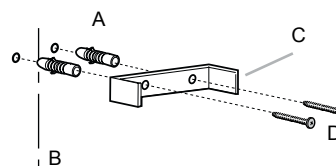
IMPORTANTE: Todos los tornillos deben instalarse en madera. Si no hay madera en la cual instalarlos, se necesitarán soportes adicionales para el marco de pared. Retire la plantilla.

- Taladre orificios piloto de 3/16" (4,8 mm) en todas las ubicaciones en donde se vayan a instalar los tornillos en madera.
- Instale 2 tornillos de montaje de 5 x 45 mm. Deje un espacio de 1/4" (6,4 mm) entre la pared y la parte posterior de la cabeza del tornillo, para deslizar la campana de cocina en su lugar.



Instalación del soporte de cubreductos

- Sujete el soporte de la cubierta del ducto a la pared usando 2 tornillos de instalación de 5 x 45 mm.



A. Taquetes para muro en seco de 8 x 40 mm
B. Línea central sobre la pared
C. Soporte de la cubierta del ducto
D. Tornillos de 5 x 45 mm

Finalización de la preparación

- Determine y haga todos los cortes necesarios en la pared para el sistema de ventilación. Instale el sistema de ventilación antes de instalar la campana. Vea la sección “Requisitos de ventilación”.
- Determine la altura necesaria para el cable de suministro eléctrico de la casa y taladre un orificio de 1/4" (3,2 cm) en esa ubicación.
- Haga pasar el cable de suministro de energía de la casa según las normas del National Electrical Code (Código nacional eléctrico) o CSA (Asociación de normalización canadiense) y los códigos y ordenanzas locales. Debe haber suficiente conducto de 1/2" y alambres de la caja de desconexión con fusible (o cortacircuitos) para hacer la conexión en la caja eléctrica de terminales de la campana.

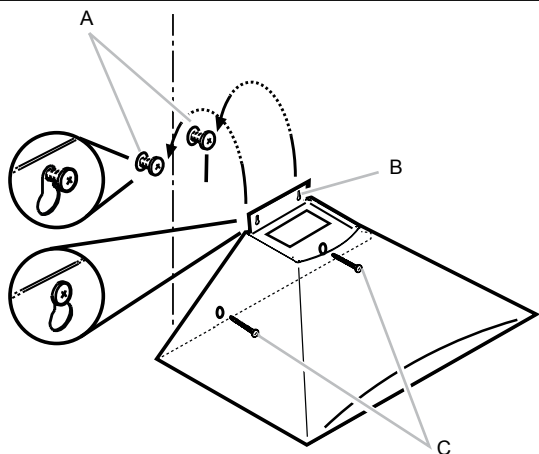
NOTA: No reconecte la electricidad hasta que se haya completado la instalación.

- Use masilla de galafateo para sellar todas las aberturas.

Instalación de su campana

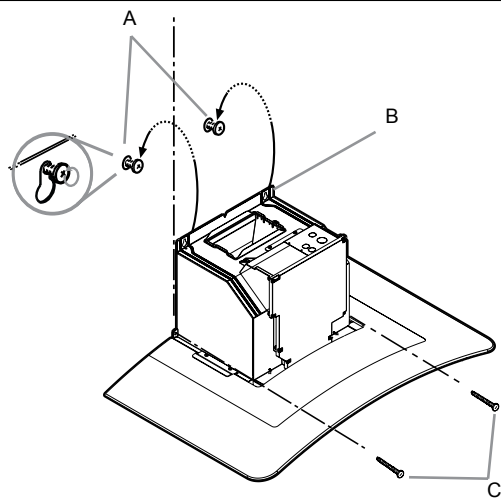
1. Con la ayuda de dos o más personas, cuelgue la campana para cocina sobre 2 tornillos de montaje a través de las ranuras de montaje que están sobre la parte posterior de la campana.
2. Saque el filtro para grasa. Consulte la sección "Cuidado de la campana para cocina".
3. Nivele la campana para cocina y apriete los tornillos de montaje superiores.
4. Instale 2 tornillos de montaje inferiores de 5 x 45 mm y apriételos.

MODELOS EVL43



- A. Tornillos de montaje
- B. Orificios de montaje
- C. Orificios de montaje inferiores

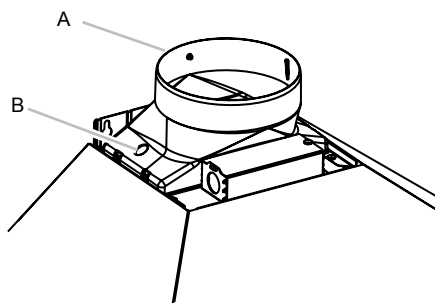
MODELOS EPT43 & ETB43



- A. Tornillos de montaje
- B. Orificios de montaje
- C. Orificios de montaje inferiores

Conexión del sistema de ventilación

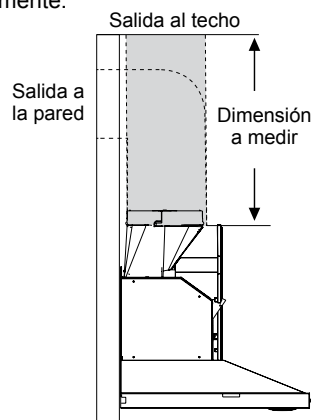
1. Instale la pieza de transición encima de la campana (si se ha quitado para el envío) con 2 tornillos de lámina de metal de 3,5 x 9,5 mm.



- A. Transición
- B. Tornillos de 3.5 x 9.5 mm

Solamente para las instalaciones con ducto de escape:

1. Haga encajar el sistema del ducto de escape sobre la salida de escape.
2. Selle la conexión con las abrazaderas.
3. Verifique que las compuertas de contratiro funcionen adecuadamente.



4. Selle las conexiones con abrazaderas.
5. Verifique que la válvula antirretorno funcione correctamente.

Conexión del suministro eléctrico

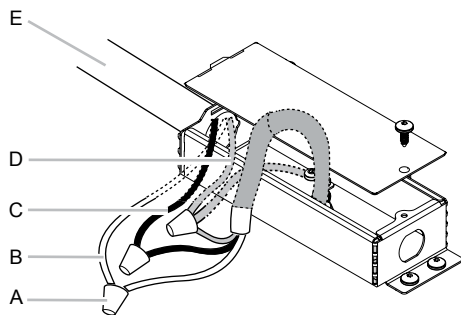
ADVERTENCIA: Peligro de choque eléctrico
Desconecte el suministro de energía antes de darle mantenimiento.

Vuelva a colocar todos los componentes y paneles antes de hacerlo funcionar.

No seguir estas instrucciones puede ocasionar la muerte o choque eléctrico.

MODELOS EVL43

1. Desconecte el suministro de energía.
2. Quite la tapa de la caja de terminales.
3. Quite el disco removible que está en la caja de terminales e instale un protector de cables de 1/2" que esté en la lista de UL o esté aprobado por CSA.
4. Haga pasar el cableado de suministro de energía doméstico a través del protector de cables de 1/2" dentro de la caja de terminales.



A. Conectores de alambres aprobados por UL
B. Alambres blancos
C. Alambres negros
D. Alambre verde (o desnudo) conectado a los alambres amarillos-verdes
E. Suministro de energía doméstico

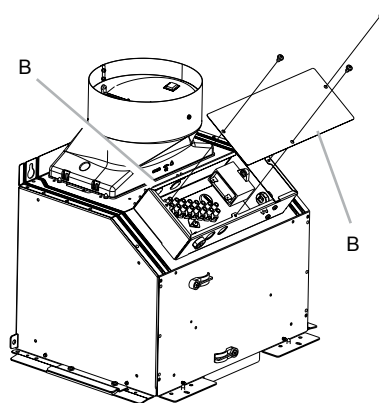
5. Use conectores de alambres que estén en la lista de UL y conecte los alambres blancos (B) juntos.
6. Use conectores de alambres que estén en la lista de UL y conecte los alambres negros (C) juntos.

ADVERTENCIA: Peligro de Choque Eléctrico
Conecte el motor a tierra.
Conecte el alambre de tierra al alambre verde y amarillo de conexión a tierra en la caja de terminales.
No seguir estas instrucciones puede ocasionar la muerte o choque eléctrico.

7. Conecte el alambre verde (o desnudo) de puesta a tierra del suministro eléctrico de la casa a los 2 alambres amarillos - verdes de puesta a tierra (D) en la caja de terminales usando conectores de alambres que estén en la lista de UL.
8. Apriete el tornillo del protector de cables.
9. Instale la cubierta de la caja de terminales.
10. Reconecte el suministro de energía.

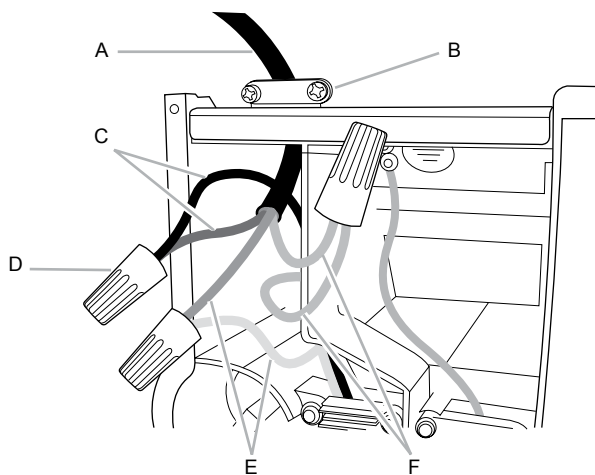
MODELOS EPT43 y ETB43

1. Desconecte el suministro de energía.
2. Quite la cubierta de la caja de terminales.
3. Quite el disco removible que está en la cubierta de la caja de terminales e instale un protector de cables de 1/2" que esté en la lista de UL o esté aprobado por CSA.



A. Disco removible
B. Cubierta de la caja eléctrica

4. Haga pasar el cableado de suministro de energía doméstico a través del protector de cables, dentro de la caja de terminales.



- A. Cable de suministro de energía doméstico
B. Protector de cables que esté en la lista de UL o aprobado por CSA
C. Alambres negros
D. Conectores de alambres aprobados por UL
E. Alambres blancos (o desnudos) y amarillos - verdes de puesta a tierra
F. Alambres verdes
5. Use conectores de alambres que estén en la lista de UL y conecte los alambres negros (C) juntos.
 6. Use conectores de alambres que estén en la lista de UL y conecte los alambres blancos (E) juntos.

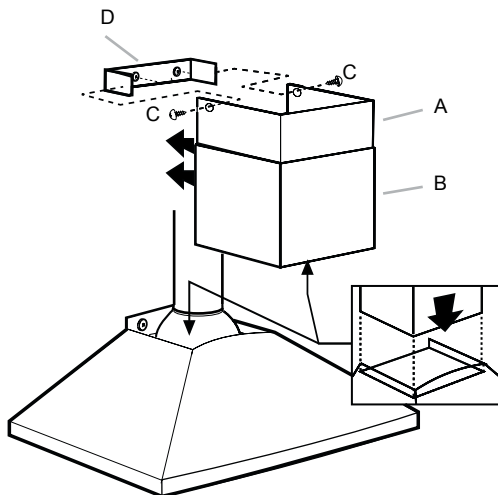
ADVERTENCIA: Peligro de Choque Eléctrico
Conecte el motor a tierra.
Conecte el alambre de tierra al alambre verde y amarillo de conexión a tierra en la caja de terminales.
No seguir estas instrucciones puede ocasionar la muerte o choque eléctrico.

7. Conecte el alambre verde (o desnudo) de puesta a tierra del suministro de energía doméstico al alambre amarillo - verde de puesta a tierra (F) en la caja de terminales usando conectores de alambres que estén en la lista de UL.
8. Apriete el tornillo del protector de cables.
9. Instale la cubierta de la caja de terminales.
10. Reconecte el suministro de energía.

Instalación de las cubiertas de ductos

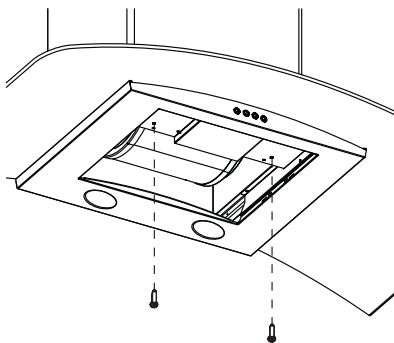
Cuando use ambas cubiertas del ducto de escape (superior e inferior), empuje la cubierta inferior hacia abajo, sobre la campana y levante la cubierta superior hacia el techo e instálela con dos tornillos.

NOTA: Para las instalaciones con ducto de escape, la cubierta superior del ducto puede invertirse para ocultar las ranuras.



- A. Cubierta superior del ducto
- B. Cubierta inferior del ducto
- C. Tornillos de 2,9 x 6,5 mm para modelos EVL43
Tornillos de 4,2 x 8 mm para modelos EPT43 y ETB43
- D. Soporte

Asegure la parte inferior del ducto con 2 tornillos de 4.2 x 8 mm. (solo para modelos EPT43 y ETB43).



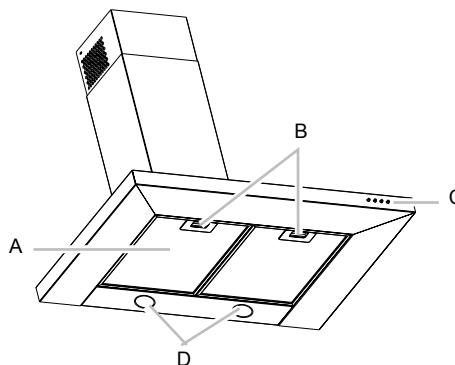
Complete la Instalación

1. Solamente para las instalaciones sin ventilación (con recirculación), instale los filtros de carbón sobre el filtro de metal para grasa. Consulte la sección "Cuidado de su campana".
2. Instale los filtros de metal. Consulte la sección "Cuidado de su campana".
3. Verifique el funcionamiento del motor de la campana para cocina y la luz.

NOTA: Para obtener un uso más eficaz de su nueva campana de cocina, lea la sección "Uso de la campana".

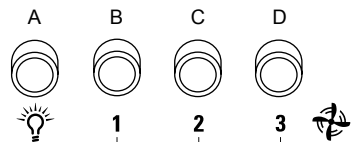
Uso de la campana

La campana para cocina se ha diseñado para remover humo, vapores provenientes de la cocción y olores del área de la superficie de cocción. Para obtener mejores resultados, encienda la campana antes de cocinar y permita que funcione por varios minutos después de haber cocinado, para que quite todo el humo y los olores de la cocina.



- A. Filtro de grasa
- B. Manija del filtro de grasa
- C. Controles para el motor y lámparas
- D. Lámparas halógenas

Controles de su campana



- A. Botón de Encendido/Apagado de lámparas
- B. Botón de Apagado y Velocidad mínima del motor
- C. Botón de Velocidad media del motor
- D. Botón de de máxima Velocidad del motor

Cómo utilizar la luz

El botón de Encendido/Apagado controla ambas luces. Presione una vez para Encendido y dos veces para Apagado.

Cómo utilizar el soplador

Los botones de VELOCIDAD DEL MOTOR encienden el soplador y controlan la velocidad y el nivel de sonido de éste para un funcionamiento silencioso. La velocidad se puede cambiar en cualquier momento mientras el ventilador esté funcionando, presionando el botón de la velocidad deseada del motor.

Presione el botón de MOTOR APAGADO por segunda vez para apagar el motor.

Cuidado de su campana

Limpieza

IMPORTANTE: Limpie con frecuencia la campana y los filtros para grasa de acuerdo a las instrucciones a continuación. Vuelva a colocar los filtros para grasa antes de poner a funcionar la campana.

Superficies exteriores:

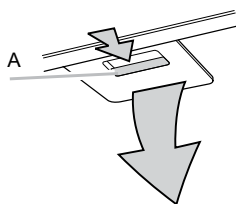
Para evitar daños a la superficie exterior, no use estropajos de acero ni jabonosos. Siempre séquelo con un paño para evitar manchas de agua.

Método de limpieza:

- Detergente líquido y agua o producto de limpieza general
- Límpielo con un paño suave húmedo o una esponja no abrasiva, enjuáguelo con agua limpia y séquelo con un paño.

Filtro de metal para grasa:

1. Quite cada filtro jalando la manija de liberación con resorte y luego jalando el filtro hacia abajo.



A. Manija de liberación con resorte

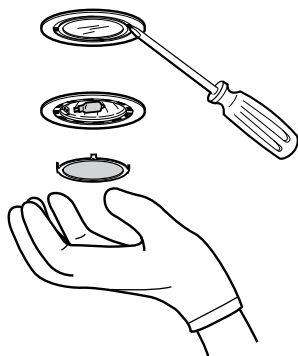
2. Lave los filtros de metal cuando sea necesario en la lavavajillas o con una solución caliente de detergente.
3. Vuelva a instalar el filtro asegurándose de que las manijas de liberación con resorte estén mirando hacia el frente. Inserte el filtro de aluminio dentro de la guía superior.
4. Empuje hacia dentro la manija de liberación con resorte.
5. Empuje el filtro de metal hacia arriba y suelte la manija para que se traben en su lugar.
6. Repita los pasos 1 a 5 para el otro filtro.

Reemplace la lámpara halógena

Apague la campana y permita que las lámparas se enfrien. Para impedir el daño o deterioro en la vida útil de la lámpara, evite manejar la lámpara directamente con los dedos. Reemplace la lámpara utilizando un pañuelo o usando guantes para manejar la lámpara.

Si las lámparas nuevas no funcionan, asegúrese de que están colocadas correctamente antes de llamar al servicio.

1. Desconecte la corriente.
2. Utilice un destornillador de punta plana y suavemente retire la cubierta de la lámpara.

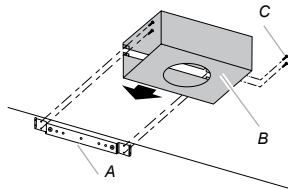


3. Retire la lámpara y reemplácela por una lámpara halógena de 120-volts, 40-watt máximo, con base G-9.
4. Coloque nuevamente la cubierta de la lámpara.
5. Conecte nuevamente la corriente.

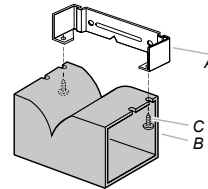
INSTALACIÓN DEL KIT RECIRCULANTE:

1. Después de que el soporte para cubreductos ha sido instalada en la pared, ensamble el deflector de aire a dicho soporte con los tornillos de instalación.

KIT02721

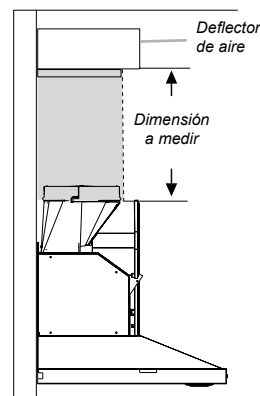


KIT02766



- A. Soporte
- B. Deflector de aire
- C. Tornillos de instalación

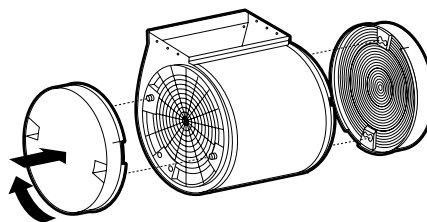
2. Medir desde la parte baja del deflector de aire hasta la salida de aire. Corte el ducto según la dimensión tomada.



3. Desinstale el deflector de aire retirando los tornillos.
4. Deslice el ducto debajo del deflector.
5. Coloque el deflector y ducto ensamblados encima de la salida de aire de la campana.
6. Sujete el deflector de aire al soporte de cubreductos con los tornillos provistos.
7. Use cinta para sellar el deflector y la salida de aire de la campana.

Instalación del filtro de carbón

1. Remueva el filtro de grasa de la campana.
2. Coloque el filtro de sobre la estructura del motor como lo muestra la figura.
3. Reinstale el filtro de grasa a la campana.



GARANTÍA

ELICA Norte América

GARANTIA LIMITADA A DOS AÑOS

PARA OBTENER SERVICIO DENTRO DE GARANTIA.

El propietario debe presentar su recibo original de la compra. Guarde por favor una copia de su recibo de compra como prueba, para recibir el servicio dentro del periodo de garantía.

PARTES Y GARANTIA DE SERVICIO.

Por el periodo de (2) dos años desde la fecha original de la compra, Elica proveerá, gratuitamente, partes no-consumibles o componentes que hayan fallado debido a defectos de fabricación. Durante estos dos (2) años de garantía limitada, Elica también proveerá gratuitamente, todo el servicio en casa y mano de obra necesaria para reemplazar cualquier parte defectuosa.

QUE NO ESTA CUBIERTO

- Daños o fallas del producto causados por accidente o actos de Dios, tales como inundaciones incendios o terremotos.
- Daños o fallas causadas por alteración del producto o por el uso de partes no-originales.
- Daños o fallas del producto causados durante la entrega, manejo o instalación.
- Daños o fallas del producto causados por abuso del usuario.
- Daños o fallas del producto causados por reemplazo de fusibles dañados o reseteo de interruptor de circuito.
- Daño o fallas causados por el uso del producto en un ambiente comercial (no doméstico).
- Viajes de servicio debidos a dudas sobre el uso o instalación del producto.
- Bombillas, filtros de carbón o metal y cualquier otra parte consumible.
- Desgaste normal.
- Desgaste terminal debido a abusos del usuario, mantenimiento inadecuado, uso de productos / toallas de limpieza corrosivos o abrasivos y por uso de limpiadores para hornos.

QUIEN ESTA CUBIERTO

Esta garantía se extiende al comprador original de productos adquiridos para uso residencial en Norte América (incluyendo Estados Unidos, Guam, Puerto Rico, Islas Vírgenes de USA y Canadá).

Esta garantía no es transferible y aplica solamente al comprador original y no se extiende a propietarios subsecuentes del producto. Esta garantía se expresa en lugar de otras garantías, expresadas o implicadas, incluyendo, pero no limitada a ninguna garantía implicada de comercialización o adaptada para propósitos particulares y cualquier otra obligación por parte de Elica North America, considerando, sin embargo, que si la negación de garantías implícitas es inefectiva bajo la ley aplicable, la duración de cualquier garantía implícita será limitada a dos (2) años desde la fecha original de compra o por el periodo necesario como sea requerido por la ley aplicable.

Esta garantía no cubre cualquier daño especial, incidental y/o consecuente, ni pérdidas de ganancias, sufridas por el comprador original, sus clientes y/o usuarios del producto.

A QUIEN CONTACTAR

Para obtener Servicio bajo Garantía o para cualquier pregunta relacionada a Servicio.

Favor de llamar:

- Servicio Autorizado de Elica North America al (888) 732-8018

O escribiendo a:

- Elica North America, Atención a Servicio a Clientes,
6658 156th Avenue SE,
Bellevue, WA 98006 USA
infoamericas@elica.com

