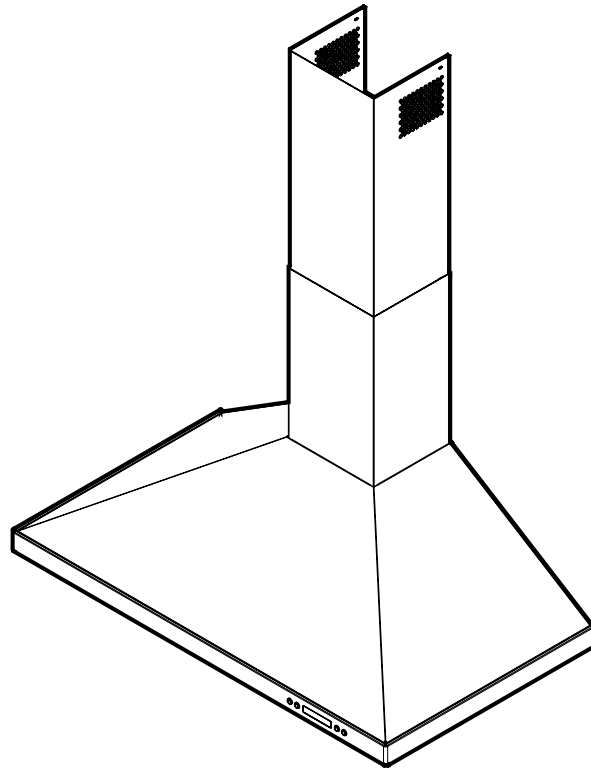


Use, Care, and Installation Guide
Guide d'utilisation, d'entretien et d'installation
Guía de instalación, uso y mantenimiento

READ AND SAVE THESE INSTRUCTIONS
LISEZ CES INSTRUCTIONS ET CONSERVEZ-LES
READ AND SAVE THESE INSTRUCTIONS



English	Contents	page	2
Français	Sommaire	page	15
Español	Contenido	página	27

English

Contents

Important safety notice.....	3
Electrical & installation requirements	4
Electrical requirements	4
Before installing the hood	4
List of materials.....	5
Parts supplied	5
Parts not supplied	5
Dimensions and clearances.....	5
Duct options and examples.....	6
Installing preparation.....	6
Mounting the duct cover bracket.....	7
Ceiling / wall ducting	7
Installation	8
Mounting the hood	8
Electrical connection.....	9
Description of the hood & controls.....	10
Controls.....	10
Maintenance	11
Available accesories.....	12
Warranty	13

**APPROVED FOR RESIDENTIAL APPLIANCES
FOR RESIDENTIAL USE ONLY
READ AND SAVE THESE INSTRUCTIONS**

PLEASE READ ENTIRE INSTRUCTIONS BEFORE PROCEEDING.

INSTALLATION MUST COMPLY WITH ALL LOCAL CODES.

IMPORTANT: Save these Instructions for the Local Electrical Inspector's use.

INSTALLER: Please leave these Instructions with this unit for the owner.

OWNER: Please retain these instructions for future reference.

Safety Warning: Turn off power circuit at service panel and lock out panel, before wiring this appliance.

Requirement: 120 V AC, 60 Hz. 15 or 20 A Branch Circuit

READ AND SAVE THESE INSTRUCTIONS

Important safety Notice

CAUTION

FOR GENERAL VENTILATING USE ONLY. DO NOT USE TO EXHAUST HAZARDOUS OR EXPLOSIVE MATERIALS OR VAPOURS.

WARNING

TO REDUCE THE RISK OF FIRE, ELECTRIC SHOCK, OR INJURY TO PERSONS, OBSERVE THE FOLLOWING:

- A. Use this unit only in the manner intended by the manufacturer. If you have questions, contact the manufacturer.
- B. Before servicing or cleaning the unit, switch power off at service panel and lock service panel disconnecting means to prevent power from being switched on accidentally. When the service disconnecting means cannot be locked, securely fasten a prominent warning device, such as a tag, to the service panel.
- C. Installation Work and Electrical Wiring Must Be Done By Qualified Person(s) In Accordance With All Applicable Codes & Standards, Including Fire-rated Construction.
- D. Sufficient air is needed for proper combustion and exhausting of gases through the flue (Chimney) of fuel burning equipment to prevent back-drafting. Follow the heating equipment manufacturers guideline and safety standards such as those published by the National Fire Protection Association (NFPA), the American Society for Heating, Refrigeration and Air Conditioning Engineers (ASHRAE), and the local code authorities.
- E. When cutting or drilling into wall or ceiling, do not damage electrical wiring and other hidden utilities.
- F. Ducted systems must always be vented to the outdoors.

CAUTION

To reduce risk of fire and to properly exhaust air, be sure to duct air outside - do not vent exhaust air into spaces within walls, ceilings, attics, crawl spaces, or garages.

WARNING

TO REDUCE THE RISK OF FIRE, USE ONLY METAL DUCT WORK.

Install this hood in accordance with all requirements specified.

WARNING

To Reduce The Risk Of Fire Or Electric Shock, Do Not Use This Hood With Any External Solid State Speed Control Device.

WARNING

TO REDUCE THE RISK OF A RANGE TOP GREASE FIRE.

- a) Never leave surface units unattended at high settings. Boilovers cause smoking and greasy spillovers that may ignite. Heat oils slowly on low or medium settings.
- b) Always turn hood ON when cooking at high heat or when flambeing food (I.e. Crepes Suzette, Cherries Jubilee, Peppercorn Beef Flambe').
- c) Clean ventilating fans frequently. Grease should not be allowed to accumulate on fan or filter.
- d) Use proper pan size. Always use cookware appropriate for the size of the surface element.

WARNING

TO REDUCE THE RISK OF INJURY TO PERSONS, IN THE EVENT OF A RANGE TOP GREASE FIRE, OBSERVE THE FOLLOWING:^a

- a) SMOTHER FLAMES with a close-fitting lid, cookie sheet, or other metal tray, then turn off the gas burner or the electric element. BE CAREFUL TO PREVENT BURNS. If the flames do not go out immediately, EVACUATE AND CALL THE FIRE DEPARTMENT.
- b) NEVER PICK UP A FLAMING PAN - you may be burned.
- c) DO NOT USE WATER, including wet dishcloths or towels - a violent steam explosion will result.
- d) Use an extinguisher **ONLY** if:
 - 1) You know you have a class ABC extinguisher, and you already know how to operate it.
 - 2) The fire is small and contained in the area where it started.
 - 3) The fire department is being called.
 - 4) You can fight the fire with your back to an exit.

^aBased on "Kitchen Fire Safety Tips" published by NFPA.

OPERATION

a. Always leave safety grills and filters in place. Without these components, operating blowers could catch onto hair, fingers and loose clothing.

The manufacturer declines all responsibility in the event of failure to observe the instructions given here for installation, maintenance and suitable use of the product. The manufacturer further declines all responsibility for injury due to negligence and the warranty of the unit automatically expires due to improper maintenance.

Electrical & Installation requirements

Electrical requirements

IMPORTANT

Observe all governing codes and ordinances.

It is the customer's responsibility:

To contact a qualified electrical installer.

To assure that the electrical installation is adequate and in conformance with National Electrical Code, ANSI/NFPA 70 — latest edition*, or CSA Standards C22.1-94, Canadian Electrical Code, Part 1 and C22.2 No.0-M91 - latest edition** and all local codes and ordinances.

If codes permit and a separate ground wire is used, it is recommended that a qualified electrician determine that the ground path is adequate.

Do not ground to a gas pipe.

Check with a qualified electrician if you are not sure range hood is properly grounded.

Do not have a fuse in the neutral or ground circuit.

IMPORTANT

Save Installation Instructions for electrical inspector's use.

The range hood must be connected with copper wire only.

The range hood should be connected directly to the fused disconnect (Or circuit breaker) box through metal electrical conduit.

Wire sizes must conform to the requirements of the National Electrical Code ANSI/NFPA 70 — latest edition*, or CSA Standards C22.1-94, Canadian Electrical Code Part 1 and C22.2 No. 0-M91 - latest edition** and all local codes and ordinances.

A U.L.- or C.S.A.-listed conduit connector must be provided at each end of the power supply conduit (at the range hood and at the junction box).

Copies of the standards listed may be obtained from:

* National Fire Protection Association Batterymarch Park Quincy, Massachusetts 02269

** CSA International 8501 East Pleasant Valley Road Cleveland, Ohio 44131-5575

Before installing the hood

1. For the most efficient air flow exhaust, use a straight run or as few elbows as possible.

CAUTION: Vent unit to outside of building, only.

2. At least two people are necessary for installation.

3. Fittings material is provided to secure the hood to most types of walls/ceilings, consult a Qualified Installer, check if they perfectly fit with your cabinet/wall.

4. Do not use flex ducting.

5. COLD WEATHER installations should have an additional backdraft damper installed to minimize backward cold air flow and a nonmetallic thermal break to minimize conduction of outside temperatures as part of the ductwork. The damper should be on the cold air side of the thermal break. The break should be as close as possible to where the ducting enters the heated portion of the house.

6. Make-up air: Local building codes may require the use of Make-up air Systems when using Ducted Ventilation Systems greater than specified CFM of air movement. The specified CFM varies from locale to locale. Consult your HVAC professional for specific requirements in your area.

List of Materials

Parts supplied

Removing the packaging

CAUTION!

Removing the packaging

CAUTION: Wear gloves to protect against sharp edges. First remove the carton carefully and take out the duct cover.

CAUTION: Remove carefully the glass canopy from the box and put it on a smooth safe surfaces.

Grasp the hood structure from the body and lift straight off the box.

Remove and properly discard every carton and plastic wrapping content in the package.

Remove parts out of the box, duct covers and other contents.

WARNING!

Remove the protective film covering the product before putting into operation.

- Hood canopy assembly with blower, transition.
- 2 Lamps already installed.
- Grease filter.
- Duct cover.
- Hardware bag with:
 - Template.
 - Duct cover support bracket (1 piece)
 - Use, care and installation guide
 - Wood screws (6 pieces - 3/16" x 1" 3/4)
 - Hood attachment anchors
 - 2 - 8x40 anchors
 - 4 - 10x50 anchors
 - Assembly screws
 - 2 - 2.9x6.5 mounting screws
 - 2 - 3.5x9.5 mounting screws

Parts not supplied

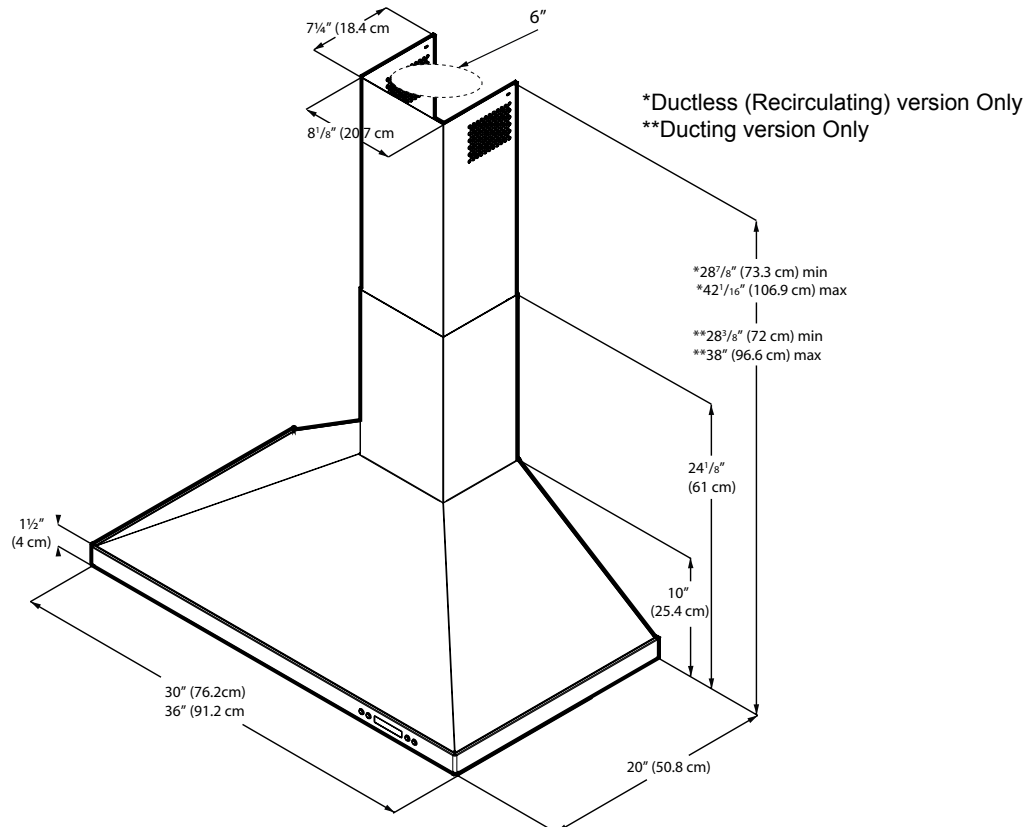
Optional Accessories

- Ductless Recirculating Kit
 - To be used only in the Ductless (Recirculating) version includes: 2 charcoal filters and deflector
- Professional Stainless Steel Grease filter

Tools/Materials required

- Wire nuts
- Tape to mount template
- 6" rounded metal duct length to suit installation
- Measuring tape
- Pliers
- Gloves
- Knife
- Safety glasses
- Electric drill with 5/16" and 3/8" Bits
- Strain relief
- Spirit level
- Duct tape
- Screwdrivers:
 - Phillips (Posidrive) # 2
 - Torx # 2
- Wire cutter/stripper
- Masking tape
- Hammer
- Saw, jig saw or reciprocating saw

Dimensions and Clearances



Ducting Options and Examples

Closely follow the instructions set out in this manual.

All responsibility, for any eventual inconveniences, damages or fires caused by not complying with the instructions in this manual, is declined.

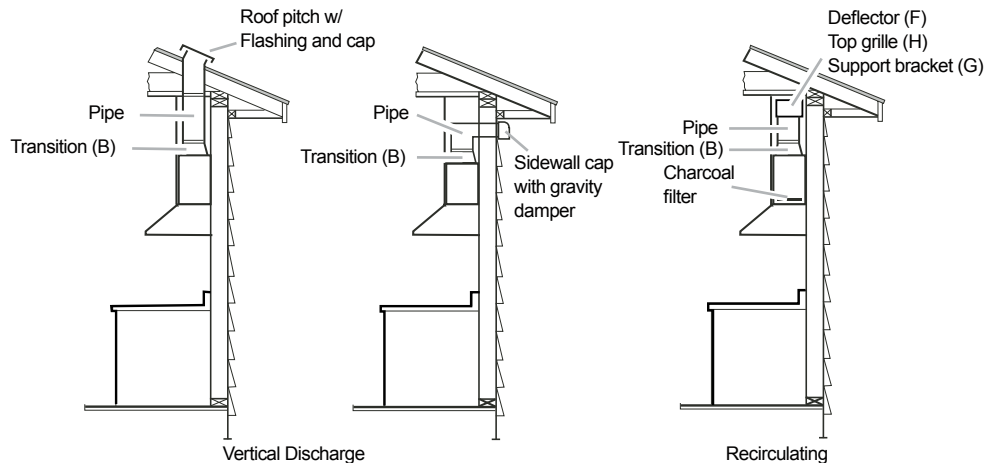
Venting methods

The hood is equipped with a transition **B** for discharge of fumes to the outside (**Ducting version**).

Should it not be possible to discharge cooking fumes and vapour to the outside, the hood can be used in the **Ductless (Recirculating) version**. Attach a charcoal filter and the deflector **F** on the duct cover support bracket **G**. Fumes and vapours are recycled through the top grille **H** by means of a duct connected to the transition **B** and the transition mounted on the deflector **F**.

NOTE: For ductless (Recirculating) version only: purchase the Ductless Recirculating Kit.

Minimum Duct Size (Ducting/Ductless version): 6" Round Pipe.



Preparation

Do not cut a joist or stud unless absolutely necessary. If a joist or stud must be cut, then a supporting frame must be constructed.

Fittings material is provided to secure the hood to most types of walls/ceilings.

However, a qualified technician must verify suitability of the materials in accordance with the type of wall/ceiling.

Before making cutouts, make sure there is proper clearance within the ceiling or wall for exhaust vent.

CAUTION:

FOR 9' CEILINGS: MOUNT THIS HOOD SO THAT THE BOTTOM EDGE IS AT 30" (76,2 CM) MINIMUM ABOVE THE COOKING SURFACE.

- Check your ceiling height and the hood height maximum before you select your hood.

Use only Metal duct system. DO NOT use flexible plastic ducting.

NOTE: Any home ventilation system, such as a ventilation hood, may interrupt the proper flow of combustion air and exhaust required by fireplaces, gas furnaces, gas water heaters and other naturally vented systems.

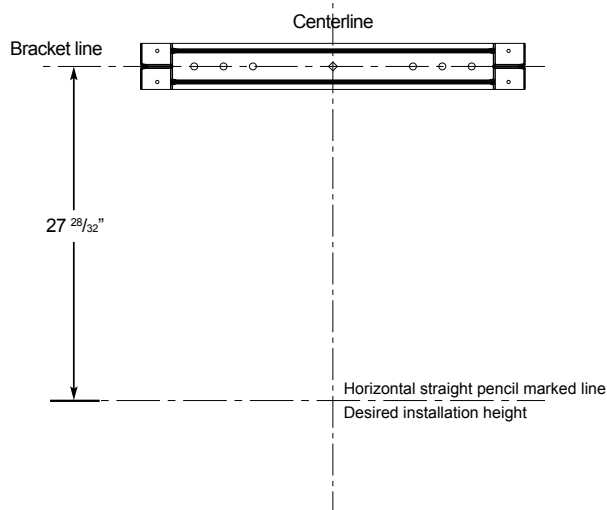
To minimize the chance of interruption of such naturally vented systems, follow the heating equipment manufacturer's guidelines and safety standards such as those published by NFPA and ASHRAE.

- This Hood Must Use an 6" Round Duct.

Mounting the duct cover bracket

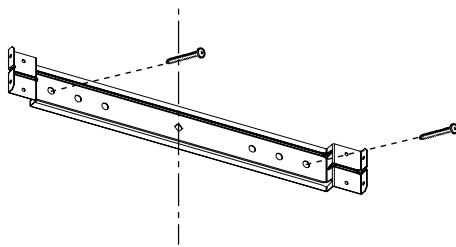
Option A - Fixed height duct cover

- From the horizontal line traced in the previous section, trace a horizontal parallel line as shown below.
- Center the bracket in the top horizontal line and align it with the centerline, as described in the following drawing.



Mark screw holes locations in the wall.

IMPORTANT. Check to be sure that holes locations are leveled, and correctly centered by the vertical centerline. Drill 5/16" pilot holes in the marked locations. Install wall fastener anchors. Drive wood screws, by hand, into the fasteners to allow anchors to expand. Remove screws. Secure the bracket to the wall with wood screws and/or fasteners.

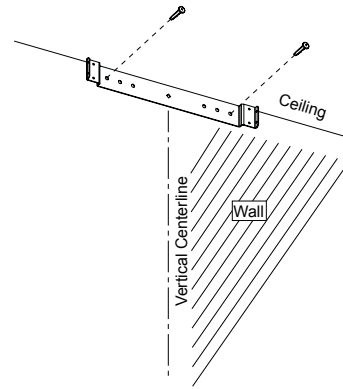


Option B - Telescopic duct cover

The duct bracket should be installed against the back wall and flush with the ceiling. This bracket will hold the duct cover in place at the top (this is an extra accessory available not included with the hood).

Secure the bracket to the wall:

- Align the marked centerline on the bracket with the centerline on the wall.
- Mark 2 screw hole locations in the wall.
- Drill 5/16" pilot holes in the marked locations.
- Install wall fastener anchors.
- Drive wood screws, by hand, into the fastener to allow anchors to expand. Remove the screws.
- Secure the bracket to the wall with wood screws and/or fasteners.



Ceiling ducting

If the duct will vent straight up to the ceiling:

- Use level to draw a line straight up, from the centerline on the template to the ceiling.
- Measure at least 4 - 12/16" from the back wall to the circle center of an 6-1/2" hole on the ceiling.

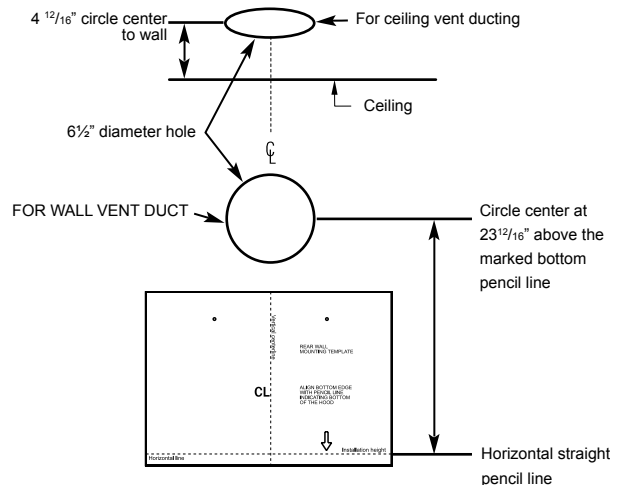
Wall ducting

If ductwork will vent to rear:

- Use a level to draw a line straight up from the centerline on the template.
- Measure at least 23 - 12/16" (the measure might vary depending on the elbow used) above the pencil line that indicates the bottom installation height, to the circle center of an 6-1/2" diameter duct hole (Hole may be elongated for duct elbow).

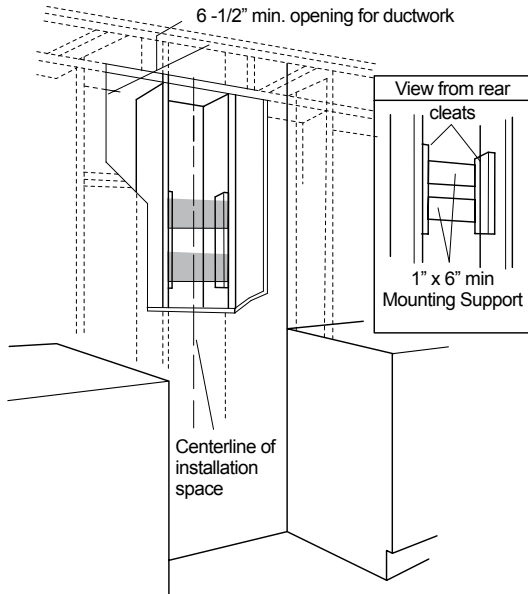
House wiring location

- The junction box is located on the top left side of the hood.
- Wiring should enter the back wall at least 20" above the bottom of the installation height, and within 5-7/8" and 4-7/8" of the left side of the centerline.



Install framing for hood support

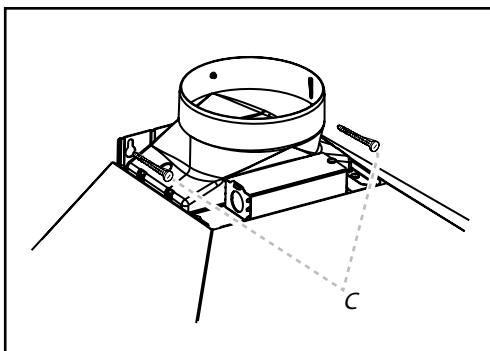
- If drywall is present, mark the screw hole locations. Remove the template.
 - Cut away enough drywall to expose 2 vertical studs at the holes location indicated by the template. Install two horizontal supports at least 4 X 2" between two wall studs at the bottom and upper mounting holes installation location.
 - The horizontal support must be flush with the room side of the studs.
 - Use cleats behind both sides of the support to secure to wall studs.
 - Reinstall drywall and refinish
- IMPORTANT-** Framing must be capable of supporting 100 lbs.



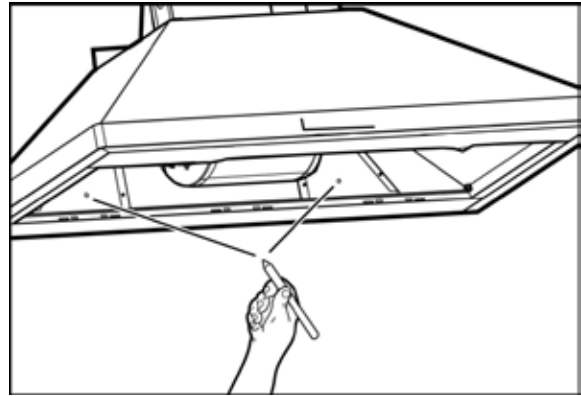
Mounting the hood

WARNING: 2 people are required to lift and position the hood onto the mounting screws.

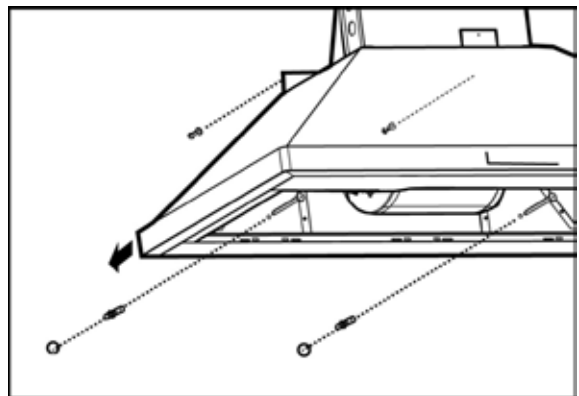
- Place the template on the wall along the horizontal line, make sure the template is leveled and centered with the centerline.
- Mark "upper" screw holes locations in the wall.
- **IMPORTANT.** Check to be sure that hole locations are leveled and correctly centered by the vertical centerline.
- Drive "upper" wood screws by hand. Leave 1/4" of distance between the screw head and the wall.
- Remove the grease filter and mount the hood onto the "upper" screws.



- Mark "lower" wood screw holes locations in the wall using a pencil.

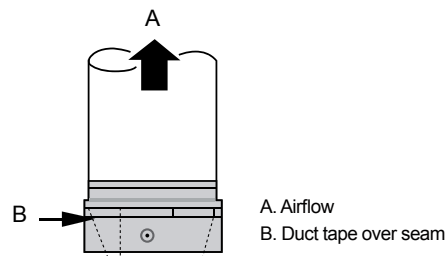


- Remove the hood.
- Drive "lower" wood screws, by hand. Remove screws.
- Mount the hood onto the "upper" screws.
- Drive and tighten the "upper" wood screws, by hand.
- Drive and tighten the "lower" wood screws, by hand.



Connecting the ductwork

- Install ductwork, making connections in the direction of airflow as illustrated.
- Push duct over the exhaust outlet.
- Wrap all duct joints and the flange connections with duct tape for an airtight seal.
- Make the same connection in the wall or ceiling vent exit.



Electrical connection

WARNING

Electrical Shock Hazard

Warning: Turn off power circuit at the service panel before wiring this unit.

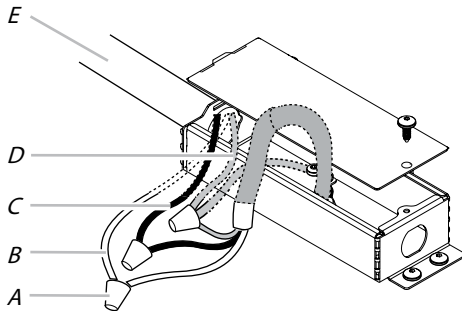
120 VAC, 15 or 20 Amp circuit required.

ELECTRICAL GROUNDING INSTRUCTIONS

THIS APPLIANCE IS FITTED WITH AN ELECTRICAL JUNCTION BOX WITH 3 WIRES, ONE OF WHICH (GREEN/YELLOW) SERVES TO GROUND THE APPLIANCE. TO PROTECT YOU AGAINST ELECTRIC SHOCK, THE GREEN AND YELLOW WIRE MUST BE CONNECTED TO THE GROUNDING WIRE IN YOUR HOME ELECTRICAL SYSTEM, AND IT MUST UNDER NO CIRCUMSTANCES BE CUT OR REMOVED.

Failure to do so can result in death or electrical shock.

1. Disconnect power.
2. Remove terminal box cover.
3. Remove the knockout in the terminal box and install a UL listed or CSA approved 1/2" strain relief.
4. Run home power supply wiring through 1/2" strain relief into terminal box.



- A. UL listed wire connectors
- B. White wires
- C. Black wires
- D. Green (or bare) wire connected to yellow-green wires
- E. Home power supply

5. Use UL listed wire connectors and connect white wires (B) together.
6. Use UL listed wire connectors and connect black wires (C) together.

Electrical Shock Hazard

Electrically ground blower.

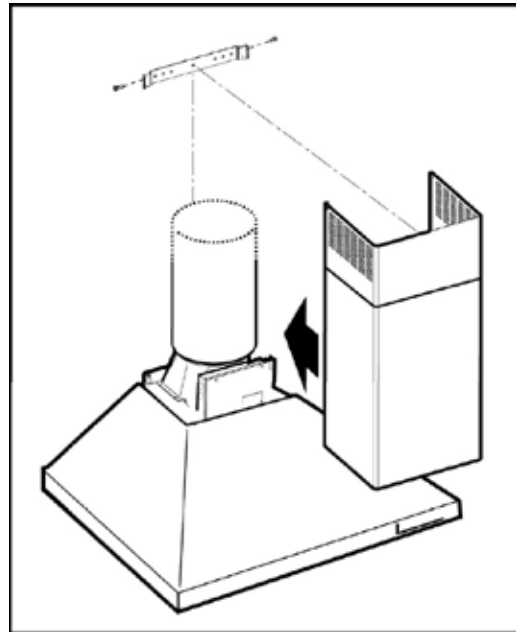
Connect ground wire to green and yellow ground wire in terminal box.

Failure to do so can result in death or electrical shock.

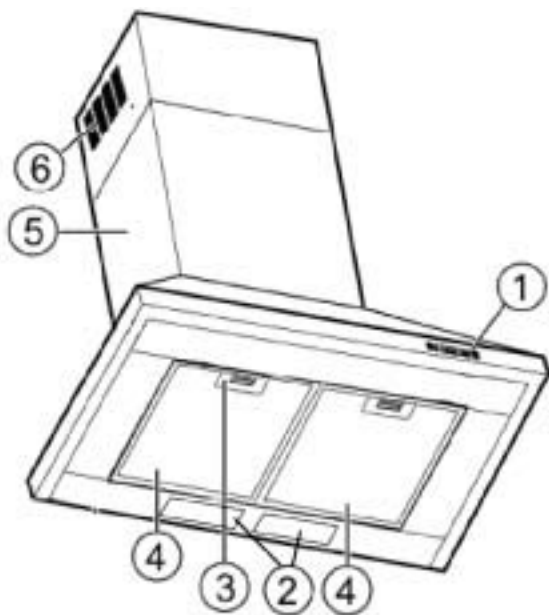
7. Connect green (or bare) ground wire from home power supply to the 2 yellow-green ground wires (D) in terminal box using UL listed wire connectors.
8. Tighten strain relief screw.
9. Install terminal box cover.
10. Reconnect power.

Mounting the duct cover

- Position the duct cover over the mounted hood.
- Slide the bottom of the duct into the glass area.
- Position the top of the duct over the duct mounting bracket. If a telescopic duct cover is used, grab the upper part of the telescopic duct cover, pull it and place it in the duct cover mounting bracket.
- Secure the top of the duct with 2 assembly screws provided.



Description of the hood & Controls

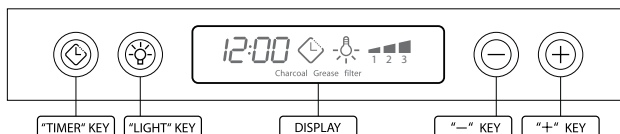


1. Control panel
2. Cover Lamp
3. Grease filter release Handle
4. Grease filter
5. Duct cover
6. Duct cover grid

Control and features

This hood is equipped with an electronic motor and lamp control. The control is able to set 3 different fan speeds, turn ON/OFF light and has a timer function. In the following drawing are described the main key functions.

Control panel description



1. Timer Key

- The default timer setting is 10 minutes, and it can be adjusted between 20 minutes and 1 minute.
- After pressing the timer key, the control enters to a timer setup mode, and user can adjust the timer countdown time with the “-” and “+” keys within 5 seconds. The timer can be initiated immediately pressing the timer key, after setting the timer duration or pressing the timer key twice (default 10 minutes setting).
- If not action occurs within 5 seconds the countdown will start.
- During the timer setup the “-” and “+” keys are dedicated to the timer and no motor action will occur.
- Once initiated the timer, it can be cancelled by pressing the timer key again.

2. Light Key

- Press lamp key to turn ON the light (Lamp state previously OFF).
- Press lamp key to turn OFF the light (Lamp state previously ON).

3. Display

- Shows the hood settings.

4. “-” Key. Speed Decrease / OFF

- This key is used to decrease the fan speed, or turn OFF the fan.
- The fan will turn OFF if the “-” key is pressed and the hood was in the first speed.
- If the fan is at second speed and the “-” key is pressed, the fan will be set to first speed.
- If the fan is at third speed and the “-” key is pressed, the fan will be set to second speed.
- If the fan is OFF and the “-” key is pressed, the control backlight will light up.

5. “+” Key. Speed Increase / ON

- This key is used to increase the fan speed, or turn ON the fan.
- The fan will turn ON if the “+” key is pressed and the hood was OFF.
- If the fan is at first speed and the “+” key is pressed, the fan will be set to second speed.
- If the fan is at second speed and the “+” key is pressed, the fan will be set to third speed.
- If the fan is at third speed and the “+” key is pressed, a beep will sound.

Special functions

Clock programming

- The clock can be reprogrammed at any time except during an active timed function.
- The clock can be displayed in a twelve hour format and valid clock times are from 1:00 to 12:59.
- The clock can be reprogrammed pressing the “Timer”

key for 5 seconds, and after, the clock can be adjusted with the "+" and "-" keys. Colon ":" will flash indicating clock programming mode.

- The user can have minute increments / decrements of 1 minute, but if the user keep pressing the "+" / "-" keys for more than 1 second, the increments / decrements will be of 5 minutes. During this option the control will round to the nearest 5 minutes.
- The user can finish on reprogramming the clock pressing the "timer" key.
- After 1 minute of no key pressed the control will accept the programmed clock time and will add one minute to the set clock.

Grease filter saturation alarm

- After thirty fan functional hours, the display will show "Grease Filter" if the fan is active. When this icon is shown in the display, the grease filters installed are required to be washed.
- To reset the grease filter saturation alarm the user must press the "+" key for 5 seconds, after this action the icon "grease filter" is not display, and the hood has the normal display operation.

Charcoal filter saturation alarm (Recirculating accessories)

- After one hundred and twenty functional hours of the fan, the display will show "Charcoal Filter" if the fan is active. When this icon flashes on display, the charcoal filters installed are required to be replaced or reactivated.
- To reset the grease filter saturation indication the user must press the "-" key for 5 seconds, after this time the icon "charcoal filter" is not display and the hood has the normal display operation.

Audible signal activation and deactivation

- The audible signals can be activated or deactivated pressing the "Light" key for 5 seconds.
- If the audible signal is activated, a tone must sound and the "Snd" symbol must appear on the display for 2 second.
- If the audible signal is deactivated, the "Snd" symbol must appear on the display for 2 second and no sound must sound.

Charcoal filter inclusion and exclusion (Recirculating accessories)

- The charcoal filter inclusion or exclusion can be set by pressing the "-" and "+" keys at the same time for 5 seconds.
- The Inclusion or exclusion of charcoal filter must be selected while the lamps and the motor are OFF.
- When the charcoal has been excluded, the charcoal filter alarm is disabled.

Heat sensor

- The control is equipped with a heat sensor that will turn on the blower at second speed if excessive heat occurs (over 70°C) surrounding the control area.
- If the blower is OFF or if it is operating at first speed, the blower will be set automatically to second speed.
- During this state, the user may raise the blower speed to third speed but can not decrease the speed.
- When the temperature level on the hood drops to normal, the blower will operate in the setting defined by the user before the alarm occurred.

Maintenance

Metal Grease Filter Maintenance

The metal filter traps grease released by foods on the cook-top. The filter must always be installed when the hood is operating / used.

To remove:

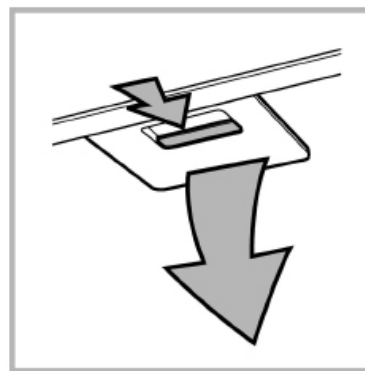
- Push the filter lock / pivot in direction to the center of the filter.
- Once the pivot is pushed pull down the filter slowly.

To replace:

- Insert the filter tabs into the slots
- Push the filter lock / pivot in direction to the center of the filter.
- Once the pivot is pushed, raise the filter slowly until the top and release the pivot.

To clean:

- Swish the filter in hot soapy water and rinse in clean water or wash it in the dish washer.
- Do not use abrasive cleaners.



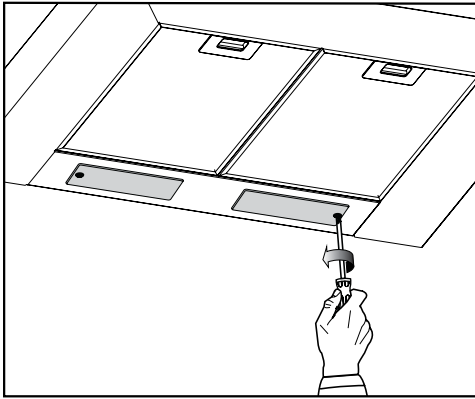
Hood maintenance

- Clean with a damp, soapy cloth and dry with a clean cloth. A glass cleaner may also be used.
ATTENTION: Do not wet the control panel.
- Do not use a steel wool pad; it will scratch the surface.
- To clean the stainless steel surface, use warm sudsy water, stainless steel cleaner or polish. Always wipe the surface in the direction of the grain. Follow the cleaner instructions for cleaning the stainless steel surface.

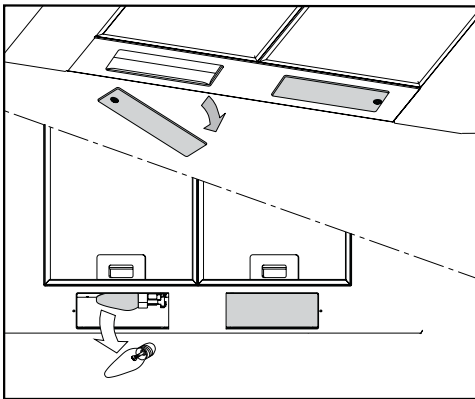
Replacing the incandescent light bulb

CAUTION: Before replacing the lamps, disconnect power off to prevent from being switched on accidentally.

1. Use a Phillips # 2 screw driver to remove the lamp cover. Remove it carefully from its housing.



2. Remove the damaged lamp bulb (turn counter clockwise) and replace it with a new bulb. E12 Philips Lamp 120V, 40W.



Available Accesories

Charcoal Filter

If the model is not vented to the outside, the air will be recirculated through disposable charcoal filters that help remove smoke and odors.

The charcoal filters cannot be cleaned.

They must be replaced.

Cover the grill that protects the suction motor with the carbon filter so that the slots on the filter correspond to the pins on the sides of the motor protection grill.

Turn the carbon filter clockwise to block them (bayonet fixing).

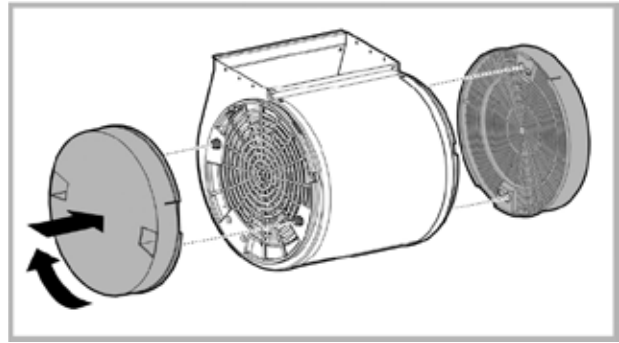
The charcoal filters should be replaced every 4-6 months (depending on hood usage).

NOTE: DO NOT rinse, or put charcoal filters in an automatic dishwasher.

NOTE: Charcoal filters are not included with the hood.

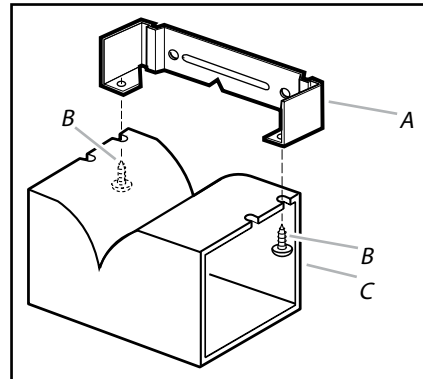
They must be ordered from your supplier.

Order the needed kit specifying your hood model and width size.



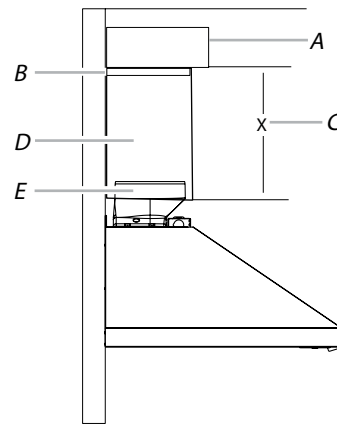
Air deflector installation (Recirculating version)

1. Assemble the air deflector with the duct cover bracket with 2 - assembly screws provided.



A. Vent cover bracket
B. 2.9 x 6.5 mm screws
C. Deflector

2. Measure from the bottom of the air deflector to the bottom of the hood outlet.



A. Air deflector
B. Vent clamp
C. X = length to cut vent duct
D. Vent duct
E. Exhaust outlet

3. Cut the duct to the measured size (X).
4. Remove the air deflector.
5. Slide the duct onto the bottom of the air deflector.
6. Place the assembled air deflector and duct over the exhaust outlet from the hood.
7. Reassemble the air deflector to the duct cover bracket with 2 assembly screws.
8. Seal connections with vent clamps.

**TO OBTAIN SERVICE UNDER WARRANTY:
or any Service Related Questions, please call:
1-888-732-8018**

Staple your receipt here.
Proof of the original purchase
date is needed to obtain service
under the warranty.

TO OBTAIN SERVICE UNDER WARRANTY: You must present proof of original purchase date. Please keep a copy of your dated proof of purchase (sales slip) in order to obtain service under warranty.

Parts and Service Warranty:

For the period of one year from the date of the original purchase, we will provide free of charge, non consumable parts or components that failed due to manufacturing defects. During this one year limited warranty, we will also provide, free of charge, all labor and in-home service to replace the defective part.

What is Not Covered:

- Damage to the product caused by floods, act of God, fire and accidents.
- Damage caused after delivery.
- House fuses replacement or resetting of circuit breakers.
- Service trips to your home to teach you how to use or install the product.
- Light bulbs, metal, carbon filters and the other consumable parts.
- The natural wear of finish, and wear due to improper maintenance, use of corrosive and abrasive cleaning products, pads, and oven cleaner products.

This warranty will be voided when:

- Product damaged due to improper installation and failure to follow installation instructions, delivery or maintenance.
- Incidental or consequential damage caused by possible defects with this appliance.
- Alteration or modification of the Product which may cause in damage to the Product, or failure to operate it in accordance with specifications.
- Damage because of improper connection with equipment of other manufacturers.
- Failure of the product if it is negligence, abused, misused, or used for other than the intended purpose or used commercially.
- Improper repair, modification or servicing of the Product performed by third parties other than Authorized Agents.

Who is Covered:

This warranty is extended to the original purchaser for products purchased for ordinary home use in the 48 main-land states, Hawaii, Washington D.C. Alaska, Guam, Puerto Rico and the Virgin Islands.

This warranty is non-transferable and applies only to the original purchaser and does not extend to subsequent owners of this product. This warranty is made expressly in lieu of all other warranties, expressed or implied, including, but not limited, any implied warranty of merchantability or fitness for a particular purpose, and all other obligations on the part of Elicamex, provided, however, that if the disclaimer of implied warranties is ineffective under applicable law, the duration of any implied warranties arising by operation of law shall be limited to 1 (one) year from the date of original purchase at retail or such longer period as may be required by applicable law.

This warranty does not cover any special, incidental and/or consequential damages, nor loss of profits, suffered by the original purchaser, its customers and/or the users of the Product.

Have your product proof of purchase with date ready for warranty issues.
Or write to:

**Elicamex
Av. La Noria #102
Parque Industrial Queretaro KM 28.5
Carretera Queretaro- San Luis Potosi
C.P 76220
Mexico**

Français

Sommaire

Avis de sécurité important.....	16
Exigences électriques et exigences d'installation.....	17
Exigences électriques	17
Avant d'installer la hotte.....	17
Liste des pièces	18
Pièces fournies	18
Pièces non fournies	18
Dimensions et Dégagement.....	18
Exemples et possibilités de positionnement des conduits	19
Préparation de l'Installation.....	19
Placer les équerres du conduit de cheminée.....	20
Conduits au paroi / plafond.....	20
Installation	21
Monter la hotte.....	21
Raccordement Electrique.....	22
Description de la hotte et des commandes.....	23
Commandes.....	23
Nettoyage.....	24
Accessoires.....	25
Garantie	26

**APPROUVÉ POUR LES APPAREILS DE TYPE RÉSIDENTIEL
POUR UNE UTILISATION RÉSIDENTIELLE SEULEMENT
LISEZ CES INSTRUCTIONS ET CONSERVEZ-LES**

VEUILLEZ LIRE CES INSTRUCTIONS AU COMPLET AVANT DE COMMENCER.

L'INSTALLATION DE L'APPAREIL DOIT RESPECTER TOUS LES CODES EN VIGUEUR.

IMPORTANT : Conservez ces instructions afin de pouvoir les remettre à l'inspecteur-électricien de votre région.

INSTALLATEUR : Veuillez laisser ces instructions avec l'appareil pour le propriétaire.

PROPRIÉTAIRE : Veuillez conserver ces instructions pour pouvoir vous y référer plus tard.

Avertissement de sécurité : Coupez l'alimentation du circuit dans le panneau électrique et verrouillez le panneau avant de raccorder les fils de cet appareil.

Exigence : 120 V c.a., 60 Hz circuit de dérivation de 15 V c.a., 20 Hz, de 15 ou 20 A.

LISEZ CES INSTRUCTIONS ET CONSERVEZ-LES

Avis de sécurité important

ATTENTION

UTILISER CET APPAREIL À DES FINS DE VENTILATION GÉNÉRALE SEULEMENT. NE PAS UTILISER CET APPAREIL POUR ÉVACUER DES MATÉRIAUX OU DES VAPEURS DANGEREUX OU EXPLOSIFS.

AVERTISSEMENT

POUR RÉDUIRE LES RISQUES D'INCENDIE, DE CHOC ÉLECTRIQUE ET DE BLESSURE, RESPECTER LES DIRECTIVES SUIVANTES :

- A. Utiliser cet appareil uniquement aux fins prévues par le fabricant. Si vous avez des questions à propos de l'appareil, communiquez avec le fabricant.
- B. Avant de faire l'entretien de l'appareil ou de le nettoyer, coupez l'alimentation dans le panneau électrique et verrouillez le panneau en bloquant le dispositif permettant d'empêcher d'activer l'alimentation accidentellement. S'il n'est pas possible de verrouiller l'accès au panneau, fixez une étiquette très voyante au panneau électrique.
- C. Une personne qualifiée doit effectuer l'installation et le câblage des fils électriques en conformité avec tous les codes et toutes les normes, y compris la cote de résistance au feu.
- D. Il est important de prévoir suffisamment d'air pour assurer une bonne combustion de l'équipement de chauffe et l'évacuation adéquates des gaz par le conduit de cheminée afin de prévenir les refoulements d'air. Respectez les directives et les normes de sécurité des fabricants de l'équipement de chauffage, comme celles publiées par la National Fire Protection Association (NFPA), la American Society for Heating, Refrigeration and Air Conditioning Engineers (ASHRAE) et le code des autorités de votre région.
- E. Au moment de couper ou de percer un mur ou un plafond, assurez-vous de ne pas endommager la filerie électrique ou tout autre accès à un service public.
- F. Il faut toujours évacuer à l'extérieur les systèmes à conduit.

ATTENTION

Pour réduire les risques d'incendie et évacuer l'air correctement, assurez-vous que le conduit mène à l'extérieur; il ne faut pas évacuer l'air dans l'espace entre les murs, dans les plafonds, dans les greniers, les vides sanitaires ou les garages.

AVERTISSEMENT

POUR RÉDUIRE DES RISQUES D'INCENDIE, UTILISEZ UNIQUEMENT DES CONDUITS EN MÉTAL.

Installez cette hotte en respectant toutes les exigences mentionnées.

AVERTISSEMENT

Pour réduire les risques d'incendie et de choc électrique, n'utilisez pas cette hotte avec un contrôleur de vitesse à semi-conducteurs.

AVERTISSEMENT

POUR RÉDUIRE LES RISQUES D'INCENDIE DE GRAISSE SUR LES CUISINIÈRES.

- a) Ne laissez jamais la cuisinière sans surveillance lorsqu'elle est réglée à une haute température. Les débordements par bouillonnement causent de la fumée et des débordements de gras qui peuvent s'enflammer. Faites chauffer l'huile lentement, à une température basse ou moyenne.
- b) Faites toujours fonctionner la hotte lorsque vous utilisez la cuisinière à une haute température ou que vous faites flamber des aliments (P. ex. : crêpes Suzette, cerises jubiléées, boeuf au poivre flambé).
- c) Nettoyez les hélices de ventilation fréquemment. Il ne faut pas que la graisse s'accumule sur les filtres ou les hélices.
- d) Utilisez le bon format de casserole. Utilisez toujours un chaudron de taille approprié à l'élément de la cuisinière.

AVERTISSEMENT

POUR ÉVITER DE BLESSER QUELQU'UN LORS D'UN INCENDIE DE GRAISSE SUR LA CUISINIÈRE, SUIVRE LES CONSEILS SUIVANTS :^a

- a) ÉTOUFFER LES FLAMMES avec un couvercle aux dimensions de la taque de cuisson, une tôle à biscuit ou tout autre plateau métallique, puis couper le gaz ou l'alimentation électrique de la cuisinière. FAIRE ATTENTION A NE PAS SE BRÛLER. Si les flammes ne s'éteignent pas immédiatement, QUITTER LA PIÈCE ET APPELER LES POMPIERS.
- b) NE JAMAIS PRENDRE EN MAIN UNE CASSEROLE EN FEU, vous pourriez vous blesser.
- c) NE PAS UTILISER D'EAU, y compris les essuies de vaisselle ou les serviettes humides – une violente explosion due à la vapeur formée pourrait survenir.
- d) Utiliser un extincteur SEULEMENT si:
 - 1) Vous êtes sûr d'avoir un extincteur de classe ABC que vous savez utiliser.
 - 2) Le feu est petit et confiné à la zone où il s'est formé.
 - 3) Les pompiers ont été appelés.
 - 4) Vous pouvez lutter contre le feu avec une sortie derrière vous.

^aRecommandations tirées des conseils de sécurité en cas d'incendie de cuisine publiés par la NFPA.

MODE OPÉRATOIRE

- a. Toujours laisser les grilles de sécurité et les filtres à leur place. Sans la présence de ces derniers, les parties aspirantes pourraient attirer les cheveux, les doigts ou les vêtements.

Le fabricant décline toute responsabilité si les informations détaillées dans ce manuel pour l'installation, l'entretien et l'utilisation adéquate du produit ne sont pas observées. Le fabricant décline en outre toute responsabilité pour d'éventuelles blessures dues à des négligences; en outre, la garantie de l'appareil sera annulée suite à des conditions d'entretien inappropriées. Cet appareil est fabriqué pour un usage interne. Ne pas utiliser cet appareil à l'extérieur.

Exigences électriques et exigences d'installation

Exigences électriques

IMPORTANT

Respectez tous les codes et les ordonnances en vigueur.

Le client a la responsabilité de :

Contactez un électricien-installateur.

Vérifier que l'installation électrique est adéquate et conforme avec le Code national de l'électricité, ANSI/NFPA 70 (la plus récente édition*), ou les normes C22.1-94, Code canadien de l'électricité, Partie 1 et C22.2 No.0-M91 (La plus récente édition**) de la CSA, ainsi que tous les codes et les ordonnances de votre région.

Si le code le permet et que vous utilisez un fil de mise à la terre distinct, il est recommandé de faire vérifier le chemin du fil par un électricien.

Ne pas mettre l'appareil à la terre sur une conduite de gaz. Consultez un électricien qualifié si vous n'êtes pas certain que la hotte est mise à la terre correctement. N'installez pas un fusible dans le circuit neutre ou le circuit de mise à la terre.

IMPORTANT

Conservez ces instructions afin de pouvoir les remettre à l'inspecteur-électricien.

La hotte doit être câblée uniquement à l'aide de fils de cuivre.

Il faut raccorder la hotte directement à une boîte à fusible ou à un disjoncteur par l'entremise d'une canalisation électrique en métal.

Le calibre de fil doit être conforme aux exigences du Code national de l'électricité, ANSI/NFPA 70 (La plus récente édition*), ou les normes C22.1-94, Code canadien de l'électricité, Partie 1 et C22.2 0-M91 (La plus récente édition**) de la CSA, ainsi que tous les codes et les ordonnances de votre région.

Il faut prévoir un connecteur de canalisation approuvé par l'UL ou la CSA à chaque extrémité de la canalisation d'alimentation (À la hotte et à la boîte de jonction).

Vous pouvez obtenir un exemplaire des normes indiquées en vous adressant à :

* La National Fire Protection Association, Batterymarch Park
Quincy, Massachusetts, 02269

** La CSA International, 8501 East Pleasant Valley Road,
Cleveland, Ohio, 44131-5575

Avant d'installer la hotte

1. Pour assurer la ventilation la plus efficace possible, installez la conduite en ligne droite ou avec le moins de coudes possibles.
ATTENTION : La sortie de la conduite de ventilation doit donner sur l'extérieur.
2. Deux personnes sont nécessaires pour effectuer l'installation.
3. La quincaillerie fournie permet de fixer la hotte à la plupart des murs et des plafonds; consultez un installateur qualifié pour vous assurer que la quincaillerie fournie est adaptée à votre type de mur ou d'armoire.
4. N'utilisez pas de conduit flexible.
5. Dans le cas des endroits sujets aux TEMPÉRATURES FROIDES, il faut installer un clapet de contre-tirage supplémentaire afin de minimiser le retour d'air froid et un isolant thermique non métallique afin de minimiser la conduction de la température extérieur dans le conduit. Il faut placer le clapet du côté de l'air froid de l'isolant thermique.
L'isolant doit être placé le plus près possible de l'endroit où le conduit entre dans la partie chauffée de la maison.
6. Air d'appoint : Le code du bâtiment de votre région peut exiger l'utilisation d'un système d'air d'appoint si vous utilisez un système de ventilation à conduit dont le mouvement d'air dépasse un certain nombre de CFM. Le nombre de pi³/min varie d'une région à l'autre. Consultez un professionnel de CVC pour connaître les exigences précises de votre région.

Liste des pièces

Pièces fournies

Enlever l'emballage

ATTENTION

Enlever délicatement le carton, Porter des gants pour se protéger des bords coupants.

ATTENTION: Retirez soigneusement la verrière de la boîte et le mettre sur un surface lisse sans danger.

Saisir la structure de la hotte du corps et soulevez-la case. Enlevez et jetez tous les cartons et emballages plastiques contenus dans le paquet.

Enlever les parties hors de la boîte, conduits et autres contenus.

- Auvent de hotte avec ventilateur e raccord de transition
- 2 lampes à incandescence déjà installée.
- Filtre à graisse métallique
- Conduite de cheminée.- 2 pièces
- Sac de matériel avec:
 - Gabarit de montage
 - Support de conduit (1 pièce)
 - Instructions d'installation et Guide d'utilisation et d'entretien
 - Vis de montage (6 pièces - 3/16" x 1" 3/4)
 - Ancres de mur
 - 2 - 8x40 ancras
 - 4 - 10x50 ancras
 - Vis d'assemblage
 - 2 - 2.9x6.5 vis
 - 2 - 3.5x9.5 vis

Pièces non fournies

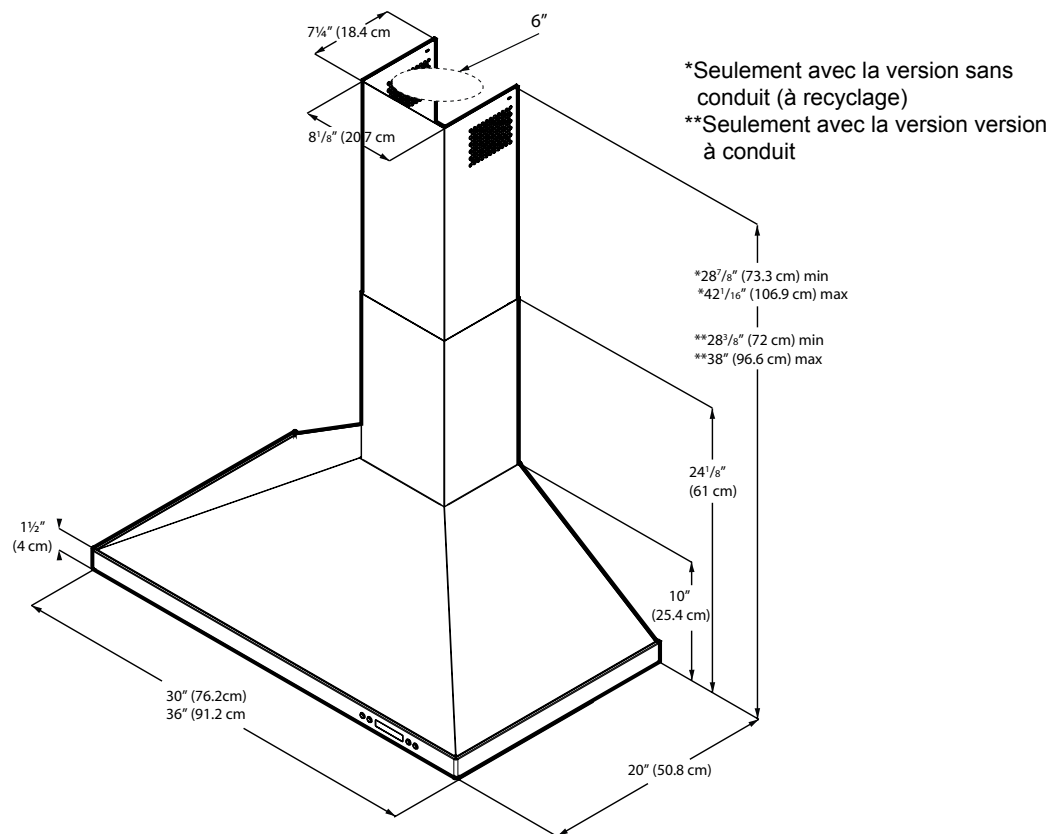
Accessoires Optionnel

- Trousse de conversion en hotte à recyclage à utiliser seulement avec la version sans conduit (À recyclage) comprend : 2 filtres au charbon et déflecteur
- Filtre Anti-graisse en Acier Inoxydable Professionnel.

Outils nécessaires

- Ecrous métalliques
- Ruban pour le gabarit de montage
- Conduit métallique circulaire de 8" pour parfaire l'installation
- Mètre ruban
- Tenailles
- Gants
- Couteau
- Lunettes de sécurité
- Foreuse électrique 5/16" et 3/8"
- Réducteur de tension
- Niveau
- Toile isolante
- Tournevis Phillips (Pozidrive)
- Tournevis Torx
- Dénudeur
- Ruban de masquage
- Marteau
- Scie, scie circulaire

Dimensions du Produit



Exemples et possibilités de positionnement des conduits

Suivez à la lettre les directives présentées dans ce manuel.

Le fabricant refuse toute responsabilité en ce qui a trait à tout préjudice, dommage ou incendie causé par la non observation des directives contenues dans le présent manuel.

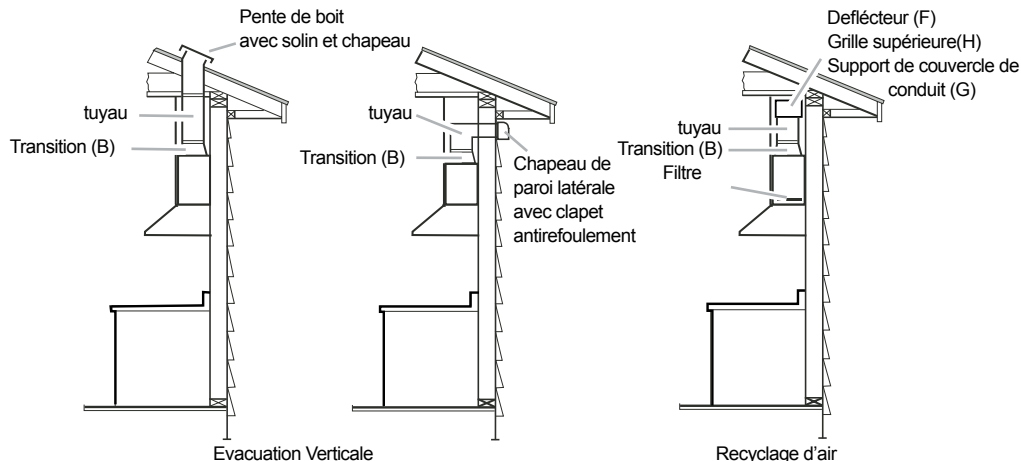
Méthodes de ventilation

La hotte est dotée d'une transition **B** afin d'évacuer les vapeurs à l'extérieur (version à conduit).

S'il s'avère impossible d'évacuer la fumée et les vapeurs de cuisson à l'extérieur, il est possible de transformer la hotte en version sans conduit (Recyclage) Fixer un filtre au charbon et le déflecteur **F** sur le support de couvercle de conduit **G**. La fumée et la vapeur sont recyclées par la grille supérieure **H** par l'entremise d'un conduit raccordé à la transition **B** et à la transition montée sur le déflecteur **F**.

NOTE: dans le cas de la version sans conduit (À recyclage) seulement : procurez-vous la trousse de conversion en hotte à recyclage.

Diamètre minimum des conduit (Version avec ou sans conduit) : tuyau rond de 6".



Préparation

Ne coupez pas une solive ou un montant à moins qu'il soit absolument nécessaire de le faire. Si vous devez couper une solive ou un montant, vous devez construire un cadre de soutien.

La quincaillerie fournie permet de fixer la hotte à la plupart des murs et des plafonds.

Vous devez cependant demander à un technicien qualifié de vérifier la solidité des matériaux selon le type de mur ou de plafond.

Avant de couper, assurez-vous qu'il y a un dégagement suffisant dans le plafond ou le mur pour passer la conduite de sortie.

INSTALLATION:

DANS PLAFONDS DE 9': METTEZ LA HOTTE AFIN D'AVOIR ENTRE LE BORD INFÉRIEUR DE LA HOTTE ET LE PLAN DE CUISSON UNE DISTANCE DE 30" (76,2 CM).

- Vérifiez donc la hauteur de votre plafond et la hauteur maximum de la hotte avant de choisir votre modèle de hotte.

Utilisez un conduit en métal seulement.

REMARQUE: un système de ventilation, comme une hotte de la cuisinière, peut interrompre la fluidité de l'air de combustion et la sortie d'air nécessaire par les incendies, cuisinières à gaz, base de gaz chauffe-eau et d'autres.

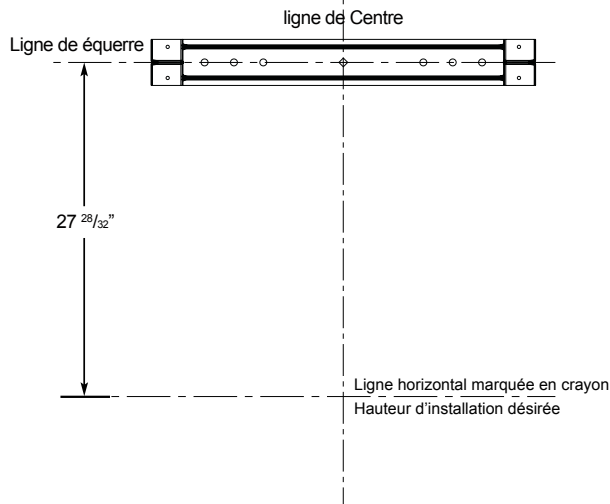
Afin de minimiser et de prévenir ce, suivre les normes de sécurité comme celles publiées par NFPA et ASHRAE.

- Un circuit d'évacuation en conduit rond de 6" (15,2 cm) est nécessaire pour l'installation.

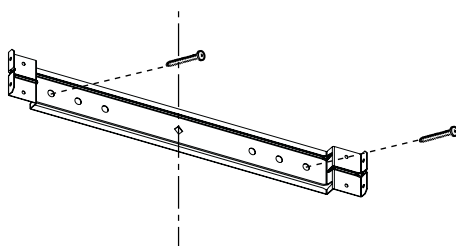
Placer les équerres du conduit de cheminée

Option A - Régler la hauteur du couvercle du conduit

- From the horizontal line traced in the previous section, trace a horizontal parallel line as shown below.
- Aligner les lignes médianes tracées sur les équerres avec les lignes médianes sur le mur.



- Marquer l'emplacement des trous sur le mur.
- Aligner les lignes médianes tracées sur les équerres avec les lignes médianes sur le mur.
- Indiquer les 2 trous pour les vis sur le mur.
- Forer des trous pilotes de 5/16" sur les emplacements indiqués.
- Placer les attaches d'accrochage au mur.
- Visser les vis à bois, à la main, dans les attaches pour permettre aux crochets de se dilater. Enlever les vis.
- Attacher l'équerre dans le mur à l'aide des vis à bois et/ou des attaches.

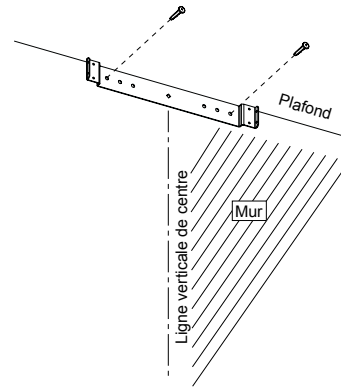


Option B - Couverture télescopique

Le conduit de cheminée doit être installé contre le mur de fond et au niveau du plafond. Cette équerre va maintenir le conduit de cheminée en place au sommet.

Attacher les équerres au mur:

- Aligner les lignes médianes tracées sur les équerres avec les lignes médianes sur le mur.
- Indiquer les 2 trous pour les vis sur le mur.
- Forer des trous pilotes de 5/16" sur les emplacements indiqués.
- Placer les attaches d'accrochage au mur.
- Visser les vis à bois, à la main, dans les attaches pour permettre aux crochets de se dilater. Enlever les vis.
- Attacher l'équerre dans le mur à l'aide des vis à bois et/ou des attaches.



Conduit au plafond

Si le conduit ventile juste au-dessus du plafond:

- Utiliser un niveau pour tracer une ligne, de la ligne médiane du gabarit jusqu'au plafond.
- Mesurer au moins 4 -12/16" du mur arrière jusqu'au centre du cercle d'un trou de 6 1/2" dans le plafond.

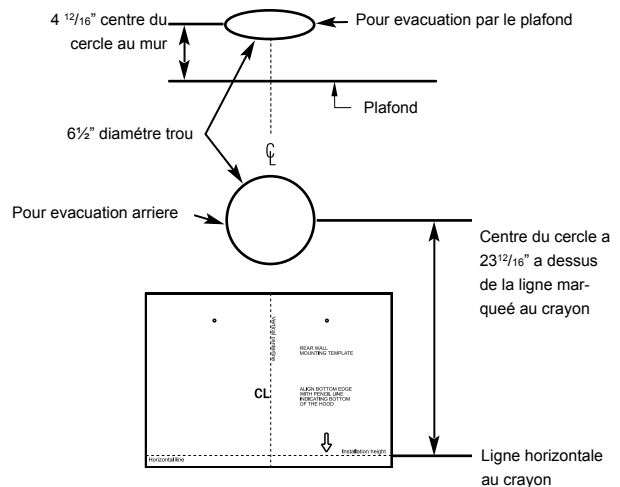
Conduit dans le mur

Si le conduit ventile à l'arrière:

- Utiliser un niveau pour tracer une ligne droite à partir de la ligne centrale sur le gabarit.
- Measure at least 26- 1/4" (la mesure peut varier selon le coude utilisé) au-dessus de la ligne au crayon qui indique la hauteur du fond de l'installation, au centre du cercle d'un trou de conduit 6-1/2" de diamètre (Le trou peut être agrandi pour le passage du coude).

Situation de l'installation électrique

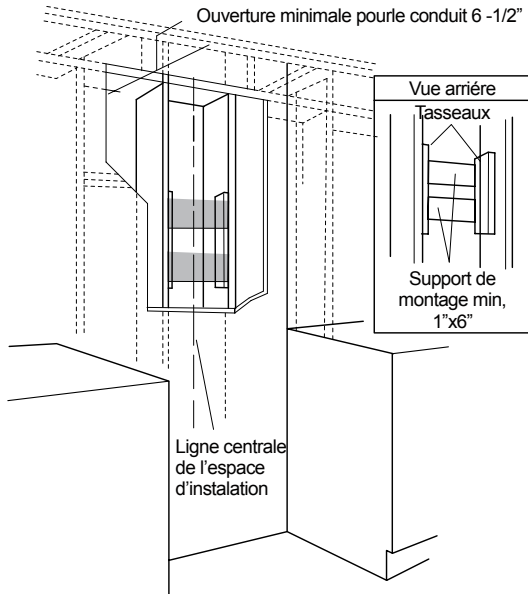
- La boîte de connexion est située sur le côté gauche supérieur de la hotte.
- Le câble doit entrer dans le mur arrière à au moins 20-1/4" au-dessus de la hauteur du fond de l'installation, et entre 7-5/8" et 4-7/8" du côté gauche de la ligne médiane.



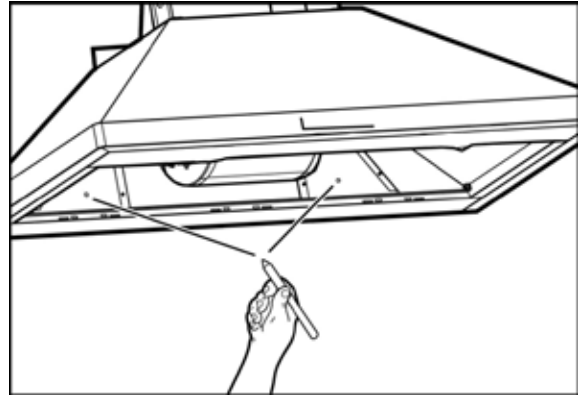
Installer la structure de support de la hotte

- Si une paroi est présente, indiquer les emplacements des trous des vis. Enlever le gabarit.
- Couper suffisamment de paroi pour placer 2 crampons sur les trous indiqués sur la gabarit. Installer 2 supports horizontaux à au moins 4" X 2" entre les deux crampons muraux aux emplacements des trous de montage inférieurs et supérieurs.
- Le support horizontal doit être de niveau avec le côté pièce des crampons. Utiliser des tasseaux de deux côtés du support pour sécuriser aux crampons du mur.
- Replacer la paroi et faire les finitions.

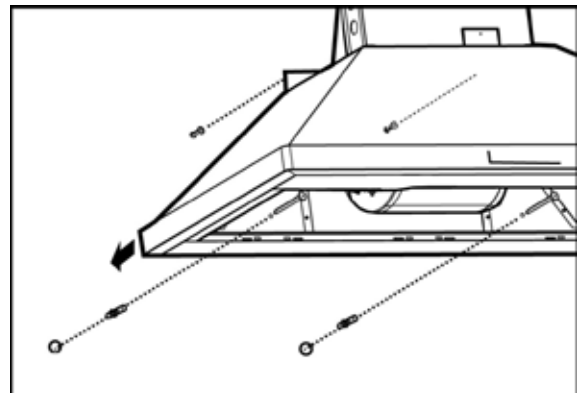
IMPORTANT- La paroi doit être capable de supporter 100 lbs.



- Indiquer les emplacements des vis à bois "inférieures" sur le mur en utilisant un crayon.

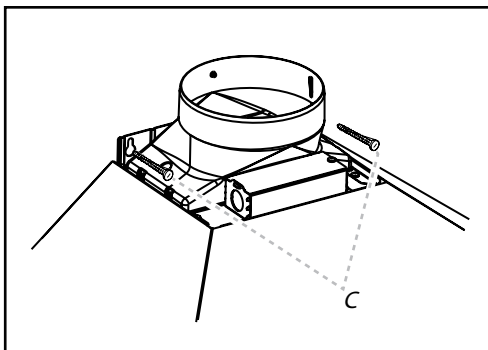


- Enlever la hotte.
- Visser les vis en bois "inférieures" à la main. Enlever les vis.
- Placer la hotte dans les vis "supérieures".
- Visser et serrer les vis à bois "supérieures" à la main.
- Visser et serrer les vis à bois "inférieures" à la main.



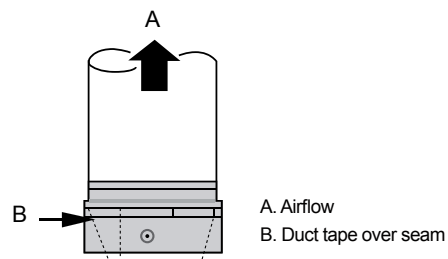
Monter la hotte

- **AVERTISSEMENT:** 2 personnes sont nécessaires pour soulever et placer la hotte dans les vis de montage.
- Placer le gabarit sur le mur le long de la ligne] horizontale, s'assurer que le gabarit est à niveau et centré sur la ligne médiane.
- Indiquer les emplacements des vis "supérieures" dans le mur. **IMPORTANT.** Vérifier que tous les emplacements des trous sont à niveau et correctement centrés sur la ligne médiane verticale.
- Visser les vis en bois "supérieures" à la main. Laisser une distance de 1/4" entre la tête de la vis et le mur.
- Enlever les filtres anti-graisse et placer la hotte sur les vis "supérieures".



Raccorder le conduit

- Installer le conduit, effectuer les raccords dans la direction du flux d'air comme illustré.
- Pousser le conduit dans la sortie d'évacuation.
- Recouvrir tous les joints des conduits et les raccords à la bride avec de la toile isolante pour une fermeture hermétique.
- Effectuer la même opération pour le raccordement à l'évacuation dans le mur ou dans le plafond.



Raccordement Électrique

AVERTISSEMENT

Danger de choc électrique

AVERTISSEMENT : Coupez l'alimentation du circuit dans le panneau électrique avant de raccorder les fils de cet appareil.

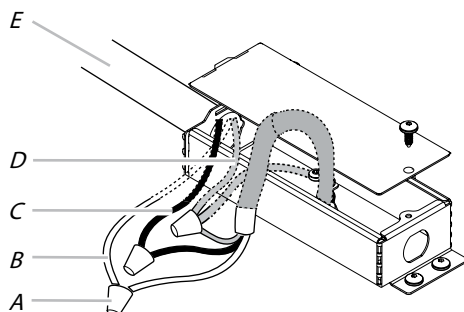
Un circuit de 120 V c.a., de 15 ou 20 A est requis.

INSTRUCTIONS DE MISE À LA TERRE

CET APPAREIL EST MUNI D'UNE BOÎTE DE JONCTION ÉLECTRIQUE À TROIS FILS, DONT L'UN (VERT/JAUNE) SERT À METTRE L'APPAREIL À LA TERRE. POUR VOUS PROTÉGER CONTRE LES CHOCs ÉLECTRIQUES, VOUS DEVEZ RACCORDER LE FIL VERT/JAUNE AU FIL DE MISE À LA TERRE DU SYSTÈME ÉLECTRIQUE DE VOTRE MAISON. EN AUCUNE CIRCONSTANCE CE FIL DOIT ÊTRE COUPÉ OU ENLEVÉ.

Le fait de ne pas respecter cette directive peut entraîner la mort ou un choc électrique.

1. Déconnecter la source de courant électrique.
2. Ôter le couvercle de la boîte de connexion.
3. Ôter l'opercule arrachable du boîtier de connexion et installer un serre-câble de 1/2" (homologation UL ou CSA).
4. Acheminer le cordon d'alimentation du domicile à travers le serre-câble de 1/2" jusque dans le boîtier de connexion.



- A. Connecteurs de fils (homologation UL)
- B. Conducteurs blancs
- C. Conducteurs noirs
- D. Conducteur vert (ou nu) connecté aux conducteurs jaune-vert
- E. Câble d'alimentation électrique du domicile

5. Connecter ensemble les conducteurs blancs (B) à l'aide de connecteurs de fils (homologation UL) (B) together.
6. Connecter ensemble les conducteurs noirs (C) à l'aide de connecteurs de fils (homologation UL).

AVERTISSEMENT

Risque de choc électrique

Relier le ventilateur à la terre.

Brancher le fil relié à la terre au fil vert et jaune relié à la terre dans la boîte de la borne.

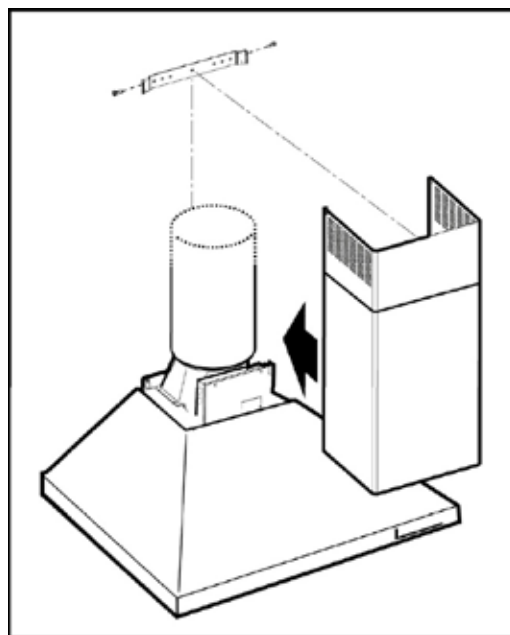
Le non-respect de ces instructions peut causer un décès ou un choc électrique.

1. À l'aide des connecteurs de fils (homologation UL), connecter le conducteur de liaison à la terre (vert ou nu) du câble d'alimentation du domicile aux conducteurs jaune-vert de liaison à la terre (D) dans le boîtier de connexion.
2. Serrer la vis du serre-câble.
3. Installer le couvercle du boîtier de connexion.
4. Reconnecter la source de courant électrique.

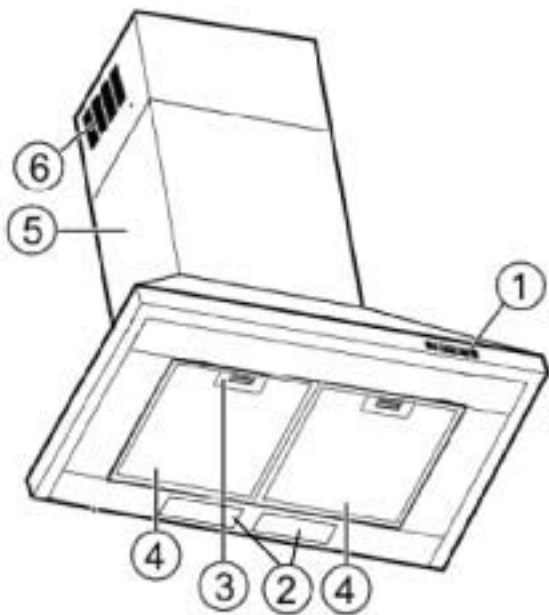
Monter le conduit de cheminée

Remarque: Le couvercle de la hotte avec des fentes autres que pour l'aération peut être placé sens dessus-dessous pour cacher (ou révéler) les fentes.

- Placer le conduit de cheminée au-dessus de la hotte montée.
- Glisser le fond du conduit dans la couverture (hotte).
- Placer le dessous de la cheminée sur le crochet de montage du conduit. Si un conduit de cheminée télescopique est utilisé, attraper la partie supérieure du conduit télescopique, le tirer et le mettre en place dans le crochet de montage du conduit de cheminée.
- Assurer le dessus du conduit à l'aide des 2 vis d'assemblage fournies.



Description de la hotte et des commandes



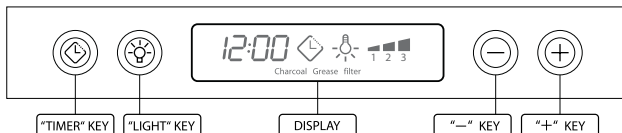
1. Contrôles soufflerie et lumières
2. Ampoules
3. Poignée filtre anti-graisse
4. Filtre anti-graisse
5. Conduit de cheminée
6. Trous de ventilation

Commandes

Utiliser la puissance d'aspiration maximum en cas de concentration très importante des vapeurs de cuisson. Nous conseillons d'allumer le dispositif d'aspiration 5 minutes avant de commencer la cuisson et de le faire fonctionner encore pendant 15 minutes environ après avoir terminé la cuisson.

Remarque: La hotte enregistre la dernière vitesse lorsque l'aspiration est coupée.

Description du panneau de commandes



1. Touche Lumière

- Appuyer sur la touche pour allumer la lumière "haute intensité" (état précédent lumière OFF).
- Appuyer sur la touche pour allumer la lumière "basse intensité" (état précédent lumière ON).
- Appuyer sur la touche pour éteindre la lumière (état précédent lumière ON).

2. Touche Timer

- Le réglage par défaut du timer est de 10 minutes et il peut être ajusté entre 60 minutes et 1 minute.
- Le temps programmé par défaut est de 10 minutes et il peut être ajusté entre 1 minute et 60 minutes.
- Après avoir appuyé sur la touche "Timer", le

système entre dans la modalité de réglage et l'utilisateur peut régler le temps de compte à rebours du timer en utilisant les touches "+" et "-" dans les 5 secondes.

- Si aucun réglage n'est effectué dans les 5 secondes suivant la sélection de la fonction "Timer" ou le réglage du temps, le compte à rebours commence.
- Durant le setup du "Timer", les touches "+" et "-" sont dédiées à la temporisation et ne font pas varier la vitesse du moteur.
- Une fois le compte à rebours commencé, il peut être annulé en appuyant sur la touche "Timer".

3. Display

- Montre l'état de la hotte.
- Quand la hotte n'est pas en fonction, le display s'allume à faible intensité.
- En appuyant sur n'importe quelle touche, le display s'illumine à forte intensité.
- Quand la hotte est en fonction, le display s'allume à forte intensité.
- Si aucune touche n'est enfoncée pendant 1 minute, le display s'illumine de nouveau à faible intensité.

4. "-" Touche diminution vitesse / OFF

- Cette touche est utilisée pour diminuer la vitesse du moteur et pour éteindre la hotte.
- Le moteur s'éteint en appuyant sur la touche "-" si la hotte se trouve à la première vitesse.
- Si le moteur se trouve à la deuxième vitesse et si l'on appuie sur la touche "-", le moteur passe à la première vitesse.
- Si le moteur se trouve à la troisième vitesse et si l'on appuie sur la touche "-", le moteur passe à la deuxième vitesse.
- Si le moteur se trouve à la quatrième vitesse et si l'on appuie sur la touche "-", le moteur passe à la troisième vitesse.
- Si le moteur est éteint et que l'on appuie sur "-", le display s'illumine.

5. "+" Touche augmentation vitesse / ON

- Cette touche est utilisée pour augmenter la vitesse du moteur et pour allumer la hotte.
- Le moteur s'allume en appuyant sur la touche "+" si la hotte se trouve en OFF.
- Si le moteur se trouve à la première vitesse et si l'on appuie sur la touche "+", le moteur passe à la deuxième vitesse.
- Si le moteur se trouve à la deuxième vitesse et si l'on appuie sur la touche "+", le moteur passe à la troisième vitesse.
- Si le moteur se trouve à la troisième vitesse et si l'on appuie sur la touche "+", le moteur passe à la quatrième vitesse.
- Si le moteur se trouve à la quatrième vitesse et si l'on appuie sur la touche "+", un beep est émis.

Programmation Horloge

- L'horloge peut être réglée à tout moment à l'exception de quand la fonction timer est activée.
- L'horloge peut être visualisée dans le format 12 heures avec un temps de visualisation compris entre 1:00 et 12:59.
- L'horloge peut être réglée en appuyant sur la touche "Timer" pendant 3 secondes, en agissant successivement

sur les touches “+” et “-” pour régler l’heure.

- L'utilisateur peut augmenter/diminuer l'heure par pas d'1 minute, mais si la pression des touches “+”/”-“ est de plus d'une seconde, l'augmentation/diminution se fera par 5 minutes.
Durant cette opération, le contrôle arrondit aux 5 minutes les plus proches.
- L'utilisateur peut terminer la phase de réglage de l'heure en appuyant sur la touche “Timer”.
- Après 1 minute sans avoir appuyé sur aucune touche, le contrôle accepte la valeur réglée et ajoute 1 minute à celle-ci et commence à compter.

Signal saturation Filtres anti-graisses (En option)

- Après 40 heures de fonctionnement du moteur, apparaît sur le display l'indication “Grease Filter” si le moteur est allumé.
Quand ce signal apparaît sur le display, le filtre installé doit être lavé.
- Pour remettre à zéro le signal de saturation des filtres, l'utilisateur doit appuyer sur la touche “+” pendant 5 secondes, après quoi, le signal “Grease Filter” disparaît et le display montre l'état de fonctionnement.

Signal saturation Filtre au Carbone (En option)

- Après 120 heures de fonctionnement du moteur, apparaît sur le display l'indication “Charcoal Filter” si le moteur est allumé. Quand ce signal apparaît sur le display, le filtre à charbon installé doit être remplacé ou réactivé.
- Pour remettre à zéro le signal de saturation des filtres, l'utilisateur doit appuyer sur la touche “_” pendant 5 secondes, après quoi, le signal “Charcoal Filter” disparaît et le display montre l'état de fonctionnement.

Activation/Désactivation signal acoustique

- Les signaux sonores peuvent être activés ou désactivés en appuyant sur la touche “Lumière” pendant 5 secondes.
- Si le signal sonore est activé, un son est émis et le symbole “Snd” doit apparaître sur le display pendant 3 secondes.
- Si le signal sonore est désactivé, le symbole “Snd” doit apparaître sur le display pendant 3 secondes et aucun son ne doit être émis.

Activation/Désactivation signal Filtre Charbon (version Filtrante)

- L'activation et la désactivation du signal saturation filtre charbon peut être réglé en appuyant simultanément pendant 5 secondes sur les touches “-” e “+” .
- L'activation ou la désactivation doit être réglée avec moteur et lampes OFF.
- Quand le signal Filtre Charbon est désactivé, l'alarme est déshabillée.

Alarme Température

- La hotte est équipée d'un détecteur de température qui active le moteur en troisième vitesse dans le cas où la température de la zone environnante soit trop élevée (supérieure à 149° F ou 65° C).
- Si le moteur est OFF ou en première vitesse, et si l'alarme intervient, le moteur se positionne automatiquement à la troisième vitesse et sur le display apparaîtra le signal “CarE”.
- Durant cet état, l'utilisateur peut uniquement augmenter la vitesse du moteur.
- Quand la température retourne sous le seuil d'alarme, le moteur retourne dans sa condition précédente à l'alarme.

Nettoyage

Ne pas vaporiser de nettoyeurs directement sur le panneau de contrôle lors du nettoyage de la Hotte.

La hotte doit être régulièrement nettoyée à l'intérieur et à l'extérieur (au moins à la même fréquence que pour l'entretien des filtres à graisse). Pour le nettoyage, utiliser un chiffon humidifié avec un détergent liquide neutre. Ne pas utiliser de produit contenant des abrasifs.

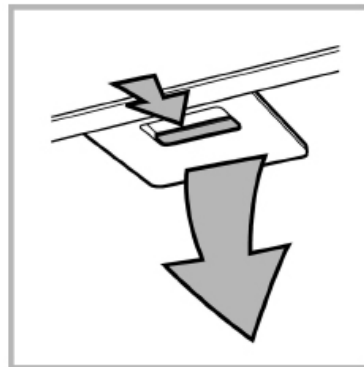
NE PAS UTILISER D'ALCOOL!

Filtre à graisse Nettoyage

Il retient les particules de graisse issues de la cuisson.

Le filtre doit être nettoyé une fois par mois avec des détergents non agressifs, à la main ou dans le lave-vaisselle à faibles températures et cycle rapide.

Le lavage du filtre anti-graisse métallique au lave-vaisselle peut en provoquer la décoloration. Toutefois, les caractéristiques de filtrage ne seront en aucun cas modifiées. Pour démonter le filtre anti-graisse, tirer la poignée de décrochement à ressort.

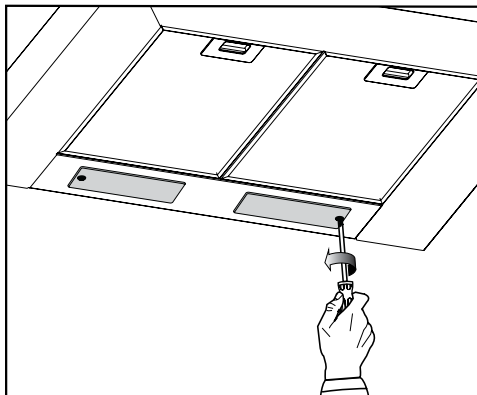


Remplacez l'incandescent lamps

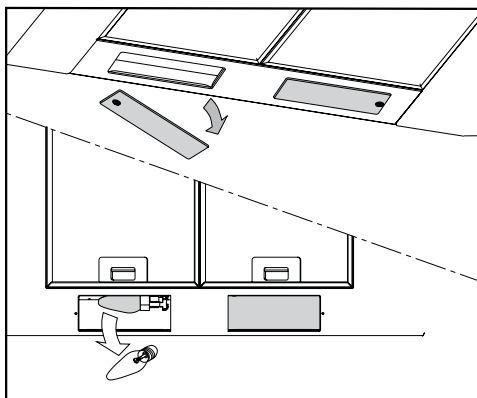
ATTENTION

Avant de remplacer les lampes, déconnecter la puissance pour prévenir tout risque qu'on remette le courant accidentellement.

1. Utiliser un tournevis Phillips pour retirer la vis du protège-ampoule. Retirer le protège ampoule et le mettre de côté avec la vis.



2. Retirer l'ampoule et la remplacer par une ampoule neuve de E12 Philips 120V, 40W.



Accessoires

Filtres à charbon

Si le système n'a pas d'évacuation vers l'extérieur, l'air va circuler à travers des filtres à charbon jetables qui vont aider à éliminer fumée et odeurs.

Les filtres à charbon ne doivent pas être nettoyés. Ils doivent être remplacés.

Posez le filtre à charbon comme couverture de la grille qui protège le moteur aspirant de manière que les fentes présentes sur le filtre correspondent aux pivots sur les côtés de la grille protège-moteur.

Tournez le filtre à charbon dans le sens des aiguilles d'une montre pour le bloquer (fixation à baïonnette).

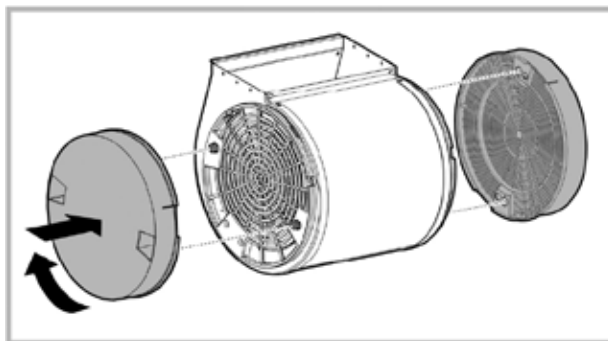
Les filtres à charbon doivent être remplacés après 4 à 6 mois en fonction de l'utilisation de la hotte.

NOTE : NE PAS rincer, ou mettre les filtres à charbon au lave-vaisselle.

NOTE : Les filtres à charbon NE sont PAS inclus dans la hotte.

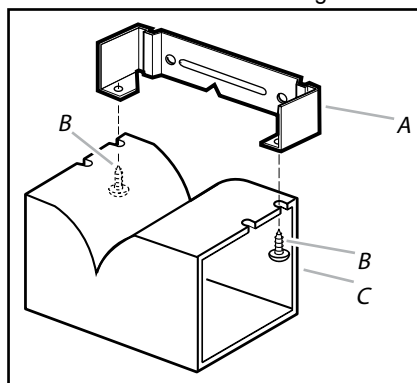
Ils doivent être commandés chez votre revendeur.

Commander le kit nécessaire en spécifiant votre modèle de hotte et sa largeur.



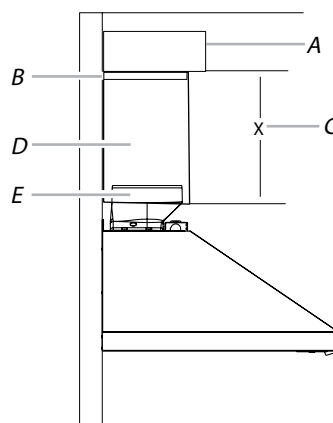
installation du déflecteur d'air (Recyclage option)

1. Assembler le déflecteur d'air sur la bride du cache-conduit à l'aide des 2 vis de montage fournies.



A. Bride de cache-conduit
B. Vis de 2,9 x 6,5 mm
C. Déflecteur

2. Mesurer la distance entre le bas du déflecteur d'air et le bas de la sortie de la hotte.



A. Déflecteur d'air
B. Bride pour conduit
C. X = longueur à laquelle couper le conduit d'évacuation
D. Conduit d'évacuation
E. Sortie d'évacuation

3. Tailler le conduit à la taille mesurée (X).
4. Retirer le déflecteur d'air.
5. Faire coulisser le conduit sur le bas du déflecteur d'air.
6. Placer le déflecteur d'air et le conduit assemblés sur la sortie d'évacuation de la hotte.
7. Réassembler le déflecteur d'air sur la bride du cache conduit à l'aide des 2 vis de montage.
8. Assurer l'étanchéité des raccordements avec une bride de conduit.

OBTENTION DU SERVICE DE GARANTIE:

Ou des questions concernant les services,
s'il vous plaît appelez: 1-888-732-8018

Agrafez votre reçu ici.
Comme une démonstration de l'acquisition
est nécessaire date, pour tout service de
garantie.

POUR OBTENIR UN DEPANNAGE SOUS GARANTIE: Le propriétaire doit présenter une preuve de la date d'achat. Garder une copie de votre preuve d'achat datée (ticket de caisse) de façon à pouvoir bénéficier du service après-vente sous garantie.

Garantie pieces de rechange et main d'oeuvre:

Pendant une période de un (1) ans à partir de la date d'achat, Elicas'engage à fournir gratuitement les pièces de rechange ou les composants autres que les recharges ayant des défauts de fabrication.

Durant cette garantie de un (1) ans, Elica fournira également gratuitement, toute la main d'oeuvre et le service à domicile pour remplacer d'éventuelles pièces défectueuses.

Ce que la garantie ne couvre pas:

- Dégât ou panne du produit causé par un accident ou un cas de force majeure tels que inondation, incendie ou tremblement de terre.
- Les dommages causés après la livraison.
- Dégât ou panne du produit causé par un remplacement des fusibles ou une remise en fonction des disjoncteurs par le propriétaire.
- Déplacement à domicile pour explication d'utilisation ou d'entretien.
- Ampoules, filtres métalliques ou au charbon et toute autre pièce consommable.
- Usure due à une mauvaise utilisation du propriétaire, un entretien incorrect, une utilisation de substances nettoyantes corrosives ou abrasives et produits de nettoyage pour four.

Cette Garantie sera annulée si:

- Dégât ou panne du produit causé lors de la livraison, de la manipulation ou de l'installation.
- Dommage direct ou indirect causé par des défauts éventuels de cet appareil.
- Dégât ou panne du produit causé par modification du produit ou utilisation de pièces pas d'origine.
- Les dommages dus à une mauvaise connexion avec l'équipement d'autres fabricants.
- Dégât ou panne du produit causé par une mauvaise utilisation.
- Dégât ou panne du produit causé par une utilisation du produit pour raison commerciale.
- Services de réparation, de modification ou inadéquate apportée au produit par des agents non autorisés.

Qui est couvert

Cette garantie s'étend à l'acheteur original de produits achetés pour un usage domestique habituel en Amérique du Nord (Y compris Etats Unis, Guam, Porto Rico, les Iles virgin Américaines & le Canada).

Cette garantie n'est pas transférable et vaut uniquement pour l'acheteur original et ne s'étend pas aux propriétaires successifs du produit. Cette garantie vaut expressément en lieu et place de tout e autre garantie, expresse ou sous-entendue, mais ne limite pas toute autre garantie sous-entendue de marchandage ou adaptation dans un but particulier et toute autre obligation de la part de Elica North America, étant entendu, cependant, que si la réclamation pour garanties sous-entendues n'est pas applicable aux yeux de la loi en vigueur, la durée de toute garantie sous-entendue émanant de la loi doit être limitée à deux (2) ans à partir de la date d'achat du produit ou à une période plus longue selon ce que dit la loi en vigueur.

Cette garantie ne couvre pas tout dégât particulier, accidentel et/ou consécutif, ni les pertes et profits, à charge du propriétaire, des ses clients et/ou des utilisateurs Des produits.

Demandez à votre preuve d'achat à ce jour prêt pour les questions de garantie.

Écrire à:

Elicamex S.A. de C.V.
Av. La Noria 102
Ampliación Parque Industrial Querétaro
México
C.P. 76220

Español

Contenido

Aviso de seguridad importante	28
Requisitos eléctricos y de instalación	29
Requisitos eléctricos	29
Antes de instalar la campana.....	29
Lista de materiales	30
Piezas suministradas	30
Piezas no suministradas.....	30
Dimensiones	30
Tipos de ductos	31
Preparación de la instalación	31
Montaje del soporte de conducto	32
Instalación del conducto hacia el techo / muro.....	32
Instalación	33
Montar la campana.....	33
Conexión Eléctrica.....	34
Descripción de la campana y los controles	35
Controles.....	35
Mantenimiento	36
Accesorios	37
Garantía	38

**APROBADO PARA APARATOS DE USO DOMÉSTICO
SÓLO PARA USO DOMÉSTICO
LEA Y GUARDE ESTAS INSTRUCCIONES**

ANTES DE CONTINUAR, LEA LAS INSTRUCCIONES POR COMPLETO.

LA INSTALACIÓN DEBE CUMPLIR TODA LA NORMATIVA LOCAL.

IMPORTANTE: guarde estas instrucciones para su uso por parte del inspector de electricidad local.

INSTALADOR: entregue al propietario estas instrucciones junto con la unidad.

PROPIETARIO: conserve estas instrucciones para futuras consultas.

Advertencia de seguridad: antes de realizar el cableado de este aparato, desactive el circuito de energía eléctrica en el panel de servicio y desbloquee el panel.

Requisito: Circuito auxiliar de CA de 120 V, 60 Hz, 15 ó 20 A

LEA Y GUARDE ESTAS INSTRUCCIONES

Aviso de seguridad importante

PRECAUCIÓN

SÓLO PARA USO DE VENTILACIÓN GENERAL. NO UTILIZAR PARA EXPULSAR VAPORES O MATERIALES PELIGROSOS O EXPLOSIVOS.

ADVERTENCIA

PARA REDUCIR EL RIESGO DE FUEGO, DESCARGA ELÉCTRICA O LESIONES PERSONALES, RESPETE LO SIGUIENTE:

- A. Utilice esta unidad solamente en el modo que indica el fabricante. En caso de duda, póngase en contacto con el fabricante.
- B. Antes de reparar o limpiar la unidad, desconecte la alimentación en el panel de servicio y bloquee los medios de desconexión del panel de servicio para evitar la conexión accidental de la alimentación. Si no es posible bloquear los medios de desconexión del panel de servicio, coloque un dispositivo de advertencia que destaque como, por ejemplo, una etiqueta, en el panel de servicio.
- C. La instalación y el cableado eléctrico deben realizarlos personas calificadas de acuerdo con las normativas y los estándares aplicables, incluida la construcción ignífuga.
- D. Es necesaria una ventilación suficiente para la correcta combustión y expulsión de gases por la salida de humos (Chimenea) del equipo de combustión de carburante para evitar el contratiro. Siga las directrices de fabricantes de equipos de calefacción y los estándares de seguridad como los publicados por la National Fire Protection Association (NFPA), American Society for Heating, Refrigeration and Air Conditioning Engineers (ASHRAE) y las normativas locales.
- E. Al efectuar orificios en una pared o techo, no dañe el cableado eléctrico y otras instalaciones ocultas.
- F. Los sistemas instalados mediante conducto deben tener ventilación con salida al exterior.

PRECAUCIÓN

Para reducir el riesgo de fuego y conseguir una salida del aire correcta, asegúrese de conducir el aire hacia el exterior. No permita que el aire se expulse en espacios situados en el interior de muros, techos, desvanes, sótanos de pequeña altura o garajes.

ADVERTENCIA

PARA REDUCIR EL RIESGO DE FUEGO, UTILICE SOLAMENTE TUBOS METÁLICOS.

Instale esta campana de acuerdo con los requisitos especificados.

ADVERTENCIA

Para reducir el riesgo de fuego o descarga eléctrica, no utilice esta campana con ningún dispositivo externo en estado sólido para el control de la velocidad.

ADVERTENCIA

PARA REDUCIR EL RIESGO DE INCENDIO OCASIONADO POR GRASA:

- a) No deje nunca ninguna unidad externa desatendida y con valores de fuego altos. La cocción puede causar humo o reboses de grasa que pueden prender fuego. Caliente el aceite a fuego lento o medio.
- b) Encienda siempre la campana cuando cocine a una temperatura alta o cuando realice flameados (Por ejemplo, crepes Suzette, cerezas flameadas, ternera a la pimienta flameada).
- c) Limpie con frecuencia los ventiladores. No permita que la grasa se acumule en el ventilador o filtro.
- d) Utilice un tamaño de sartén adecuado. Utilice siempre piezas de batería de cocina adecuadas al tamaño del elemento de superficie.

ADVERTENCIA

PARA REDUCIR EL RIESGO DE LESIONES PERSONALES, EN CASO DE FUEGO OCASIONADO POR GRASA, TENGA EN CUENTA LO SIGUIENTE:^a

- a. **EXTINGA LAS LLAMAS** con una tapa ajustada, una lámina para hacer galletas u otro tipo de bandeja metálica y apague el quemador de gas o elemento eléctrico. **TENGA CUIDADO PARA EVITAR QUEMADURAS.** Si las llamas no se extinguen inmediatamente, **DESALOJE EL LUGAR Y LLAME A LOS BOMBEROS.**
- b. **NUNCA TOME UNA SARTÉN EN LLAMAS**, podría sufrir quemaduras.
- c. **NO UTILICE AGUA**, incluidas bayetas o toallas húmedas ya que se produciría una violenta explosión de vapor.
- d. Utilice un extintor **SÓLO** si:
 - 1) Sabe que dispone de un extintor de la clase ABC y conoce su funcionamiento.
 - 2) El fuego es pequeño y se encuentra en la misma zona donde se inició.
 - 3) Ha llamado a los bomberos.
 - 4) Puede luchar contra el fuego teniendo una salida a su espalda.

^aBasado en "Consejos de seguridad para fuegos de cocina", publicado por el NFPA (Asociación nacional de protección contra incendios).

FUNCIONAMIENTO

- a. Coloque siempre las rejillas y los filtros de seguridad en su lugar correspondiente. Sin estos componentes, los ventiladores en funcionamiento podrían atrapar su pelo, sus dedos o su ropa.

El fabricante declina toda responsabilidad en caso de fallo de cumplimiento de las instrucciones aquí facilitadas para la instalación, el mantenimiento y el uso adecuado del producto. El fabricante declina además toda responsabilidad por daños ocasionados por negligencia y la garantía de la unidad queda cancelada automáticamente como consecuencia de un mantenimiento incorrecto.

Requisitos eléctricos y de instalación

Requisitos eléctricos

IMPORTANTE

Cumpla todas las normativas y ordenanzas gubernamentales.

Es responsabilidad del cliente:

Ponerse en contacto con un instalador eléctrico calificado. Asegurarse de que la instalación eléctrica es adecuada y en conformidad con National Electrical Code, ANSI/NFPA 70 (última edición*) o CSA Standards C22.1-94, Canadian Electrical Code, Parte 1 y C22.2 No.0-M91 (última edición*) y toda la normativa y las ordenanzas locales.

Si la normativa lo permite y se utiliza un cable de toma a tierra independiente, se recomienda que un electricista calificado determine si la difracción de onda de tierra es la adecuada.

No ubique la toma a tierra en una tubería de gas.

Si no está seguro de que la campana está correctamente conectada a tierra, consulte a un electricista calificado. No coloque ningún fusible en el circuito neutral o con vuelta por tierra.

IMPORTANTE

Guarde las instrucciones de instalación para su uso por parte del inspector de electricidad.

La campana debe estar conectada únicamente con hilo de cobre.

La campana debe estar conectada directamente al enchufe con fusible (O disyuntor) mediante canal metálico de cables eléctricos.

Los tamaños de cable deben cumplir los requisitos de la National Electrical Code, ANSI/NFPA 70 (última edición*) o CSA Standards C22.1-94, Canadian Electrical Code, Parte 1 y C22.2 No.0-M91 (última edición*) y toda la normativa y las ordenanzas locales.

Es preciso colocar un conector de canal de cables enumerado en U.L. o C.S.A. en cada extremo del canal de cables de fuente de alimentación (En la campana y en la caja de conexiones).

Se pueden obtener copias de los estándares enumerados en:

* National Fire Protection Association Batterymarch Park Quincy, Massachusetts 02269

** CSA International 8501 East Pleasant Valley Road Cleveland, Ohio 44131-5575

Antes de instalar la campana

1. Para obtener una circulación del flujo de aire más eficaz, utilice un tubo de tramo recto o el menor número posible de tubos acodados.
PRECAUCIÓN: el conducto de ventilación solamente debe tener salida hacia la parte exterior del edificio.
2. Para realizar la instalación, se necesitan al menos dos personas.
3. La campana se ajusta mediante material adecuados para la mayoría de superficies; consulte a un instalador calificado para comprobar si quedan perfectamente ajustados al armario o a la pared.
4. No emplee tubos flexibles.
5. Las instalaciones en CONDICIONES CLIMÁTICAS FRÍAS deben tener instalado un regulador de contrato adicional para minimizar el flujo de aire inverso y una rotura térmica no metálica para minimizar la conducción de temperaturas externas como parte de los tubos. El regulador debe encontrarse en la parte de aire frío de la rotura térmica.
La rotura debe estar lo más cerca posible al lugar donde los tubos entran en la parte caliente de la casa.
6. Aire limpio: Las normativas locales para edificios pueden requerir el uso de sistemas de aire limpio cuando se utilizan sistemas de ventilación mediante tubos superiores al CFM especificado de movimiento de aire. El CFM especificado varía de una zona a otra. Para conocer los requisitos específicos de su zona, consulte a un profesional de HVAC.

Lista de Materiales

Partes suministradas

PRECAUCIÓN!

Quite la caja cuidadosamente, use guantes para protegerse contra los bordes afilados.

ADVERTENCIA

Quite la película de protección que cubre el producto antes de ponerlo en funcionamiento.

- Ensamble de campana (motor, ventilador, conexión)
- 2 - Lámparas incandescentes ya instaladas
- 2 - Filtros de grasa
- Cubierta conducto
- Bolsa plástica con:
 - Plantilla de instalación
 - Soporte cubierta de conductos (1 pza)
 - Guía de Uso, Cuidado e Instalación
 - Tornillos para madera (6 pzas - 3/16" x 1" 3/4)
 - Taquetes de fijación
 - 2 - 8x40 taquetes
 - 4 - 10x50 taquetes
 - Tornillos de montaje
 - 2 - 2.9x6.5
 - 2 - 3.5x9.5

Partes no suministradas

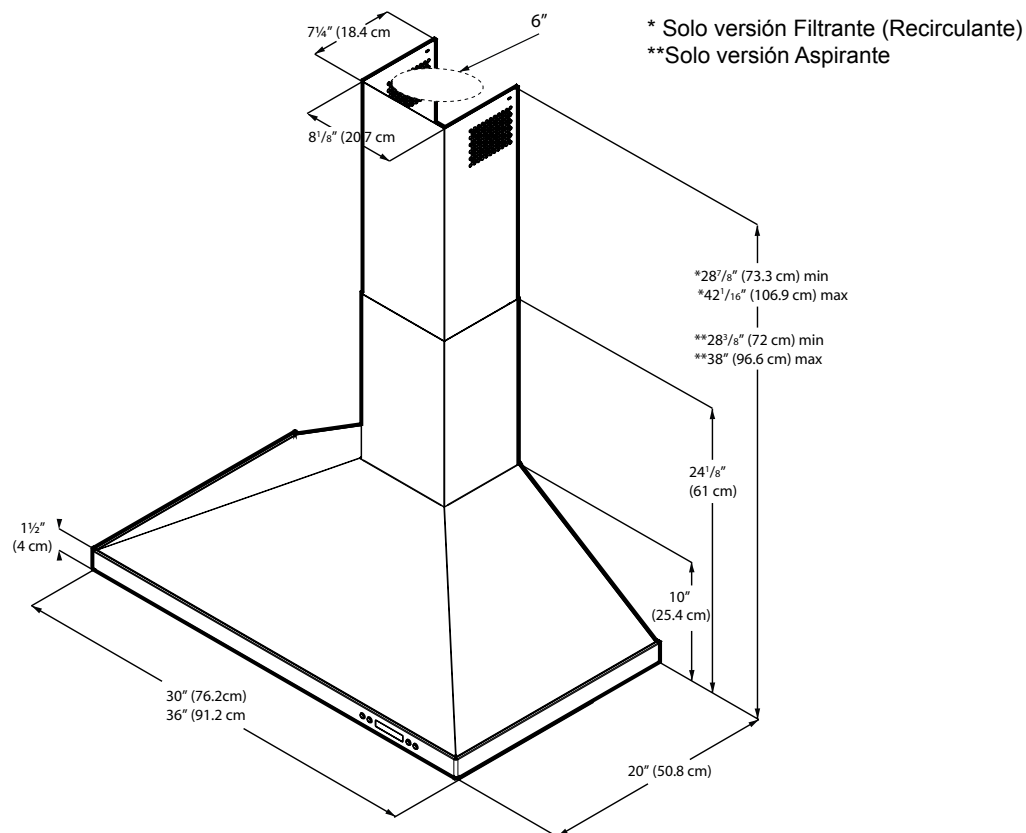
Accesorios Opcionales

- Kit Recirculante
 - Para ser usado en las versiones Filtrantes (Recirculantes)
 - Incluye: 2 filtros de carbón y un deflector
- Filtros de Grasa Profesionales de Acero Inoxidable

Herramienta / Materiales necesarios

- Tapones de cable
- Cinta para montar la plantilla
- Conducto redondo de 6"
- La longitud debe ser de acuerdo a la instalación
- Cinta Métrica
- Cutter
- Pinzas para cortar y pelar cable
- Nivel
- Alicates
- Cinta de aislar
- Lentes de seguridad
- Masking tape
- Martillo
- Destornillador Phillips (Posidrive) # 2
- Destornillador Torx # 2
- Taladro con brocas: 5/16" y 3/8"
- Guantes de protección
- Retén de cable
- Caladora o Taladro

Dimensiones del Producto



Tipos de ductos y ejemplos

Siga detenidamente las instrucciones expuestas en este manual.

Se declina toda responsabilidad de cualquier inconveniencia, daños o incendios eventuales ocasionados por el incumplimiento de las instrucciones de este manual.

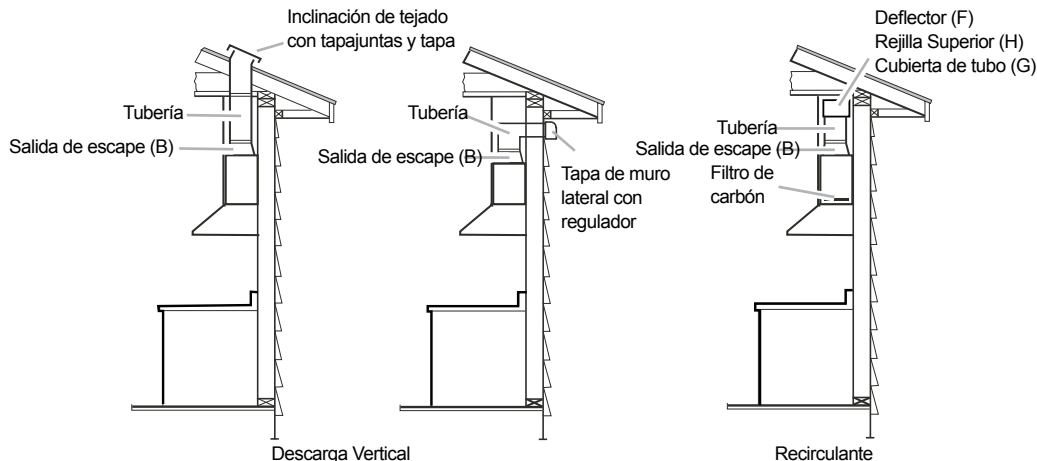
Métodos de ventilación

La campana está equipada con un salida de escape B para la descarga de gases al exterior (Versión con tubos).

En caso de que no sea posible la descarga de gases y del vapor procedentes de la cocina al exterior, la campana se puede utilizar en la versión sin tubos (Recirculación). Coloque un filtro de carbono activado y el deflector F en el soporte de sujeción de la cubierta de tubo G. Los gases y vapores se reciclan a través de la rejilla superior H mediante un conducto conectado al cambio de sección B y el cambio de sección montado en el deflector F.

NOTA: Sólo para versión sin tubos (Recirculación): adquiera el kit de conversión sin tubos.

Tamaño mínimo de tubo (Versión con o sin tubos): Tubería redonda de 6".



Preparación

No corte una vigueta o un perno a menos que sea absolutamente necesario. Si fuera necesario efectuar el corte, deberá construirse un marco de soporte.

Se suministra el material de ajuste necesario para fijar la campana a la mayoría de tipos de muro o techo.

No obstante, un técnico calificado debe comprobar la idoneidad de los materiales de acuerdo con el tipo de muro o techo. Antes de efectuar ningún corte, asegúrese de existe espacio libre adecuado en el techo o muro para la expulsión del aire.

PRECAUCIÓN:

PARA INSTALACIÓN EN TECHO DE 9': Instale esta campana de modo que el borde inferior quede a 30" (76,2 CM) MÍNIMO sobre la superficie de cocinado.

Verifique la altura de su techo y la altura máxima de su campana antes de elegir algún modelo.

NO use tubo plástico flexible. Utilice SÓLO ducto metálico.

NOTA: Cualquier sistema de ventilación, como las campanas extractoras, pueden interrumpir el flujo del aire de combustión y de salida requeridos por fogatas, parrillas de gas, calentadores de agua a base de gas y otros sistemas de ventilación.

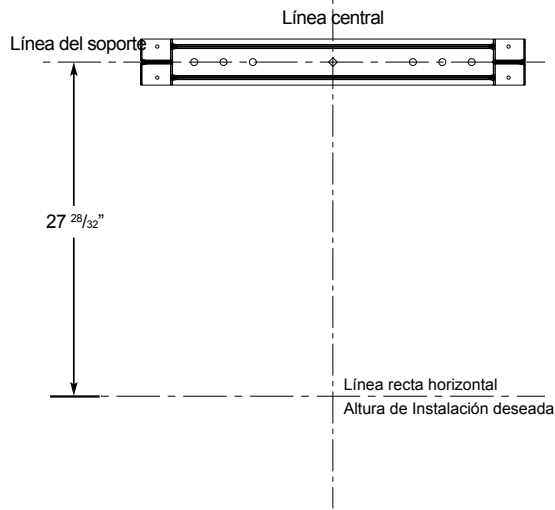
Para minimizar la interrupción de estos sistemas de ventilación, siga las indicaciones del fabricante de del sistema de ventilación y estándares de seguridad como los publicados por la NFPA y ASHRAE.

- Esta campana debe utilizar ducto redondo de 6".

Montaje del soporte del cubreducto

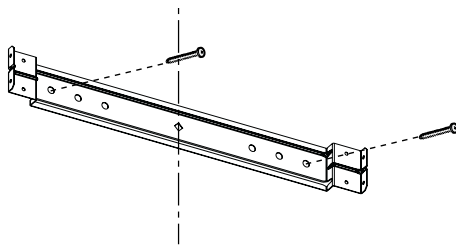
Opción A - Cubreductos de altura fija.

- Trace una línea Horizontal paralela a la previamente hecha.
- Centre el soporte del cubreductos en la línea horizontal superior como lo describe la figura de abajo.



Marque la ubicación de los tornillos en la pared.

IMPORTANTE. Asegúrese que la ubicación de los barrenos estén nivelados y centrado correctamente a la línea de centro. Haga perforaciones de 5/16" en los puntos marcados. Instale taquetes. Coloque los tornillos de instalación con la mano dentro de los taquetes para permitir que estos se expandan. Ajuste el soporte a la pared con ayuda de tornillos.

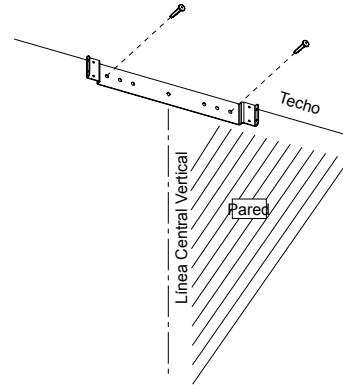


Opción B - Cubreductos Telescópico

El soporte debe ser instalado contra la pared trasera y a tope con el techo. Este soporte mantendrá al cubreductos en su lugar (Este es un accesorio adicional no incluido en la campana).

Asegure el soporte a la pared:

- Alinee la marca de centro del soporte con la línea central de la pared.
- Marque la ubicación de los tornillos en la pared.
- Haga dos perforaciones de 5/16" en las posiciones marcadas.
- Instale los taquetes.
- Coloque los tornillos de instalación con la mano dentro de los taquetes para permitir que estos se expandan.
- Ajuste el soporte a la pared con ayuda de tornillos.



Salida al techo

Si el ducto descargará directamente al techo:

- Use el nivel para dibujar una línea recta, de la línea de centro de la plantilla al techo.
- Mida al menos 4 - 12/16" de la pared trasera al centro del círculo de 6-1/2" en el techo.

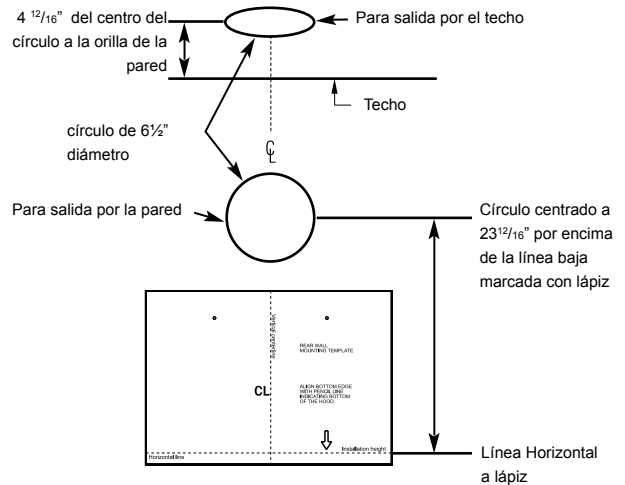
Salida a la pared

Si el ducto descargará directamente a la pared:

- Use el nivel para dibujar una línea recta, de la línea de centro de la plantilla.
- Mida al menos 23 - 12/16" (la medida variará de acuerdo a la elección del codo) por encima de la línea horizontal a lápiz que indica la altura inferior de instalación, al centro del círculo de 6-1/2" en el techo (El agujero puede ser alargado por el codo).

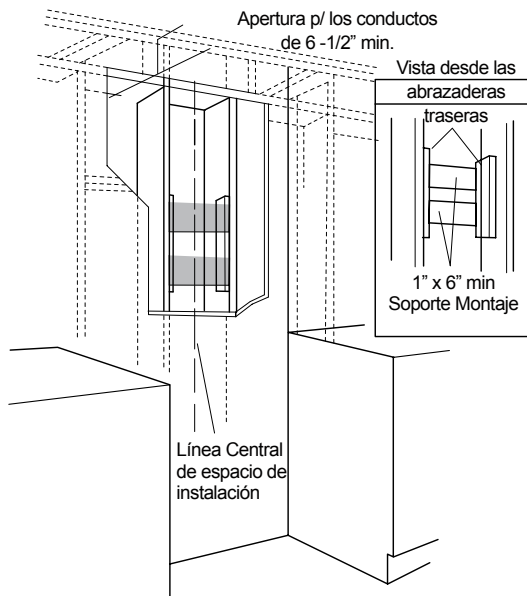
Ubicación del cableado

- La caja eléctrica está localizada en la parte superior izquierda de la campana.
- El cable debe entrar en la pared trasera al menos a 20" por encima de la línea de altura de instalación y entre 5-7/8" y 4-7/8" del lado izquierdo de la línea de centro.



Instalación de la estructura de soporte para la campana

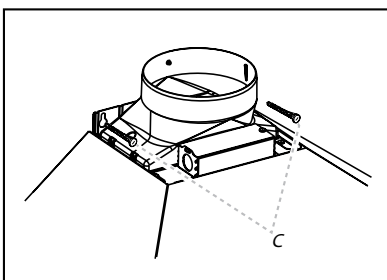
- Si se cuenta con pared falsa (cartón yeso) marque la ubicación de los agujeros para los tornillos. Retire la plantilla.
 - Remueva (corte) lo suficiente de pared para posicionar 2 postes verticales en la ubicación de los agujeros referenciados en el punto anterior con ayuda de la plantilla.
 - Instale dos soportes horizontales de por lo menos 4" x 2" entre dos postes de la pared, en donde deberán ir posicionados los agujeros inferiores y superiores.
 - El soporte horizontal debe ser nivelado con el lado de la habitación con los postes de la pared.
 - Use abrazaderas (bridas) detrás de ambos lados del soporte para sujetarlo hacia la pared.
 - Reinstale la pared falsa (cartón yeso), resane y termine.
- IMPORTANTE - La estructura debe ser capaz de sostener 100 lb.**



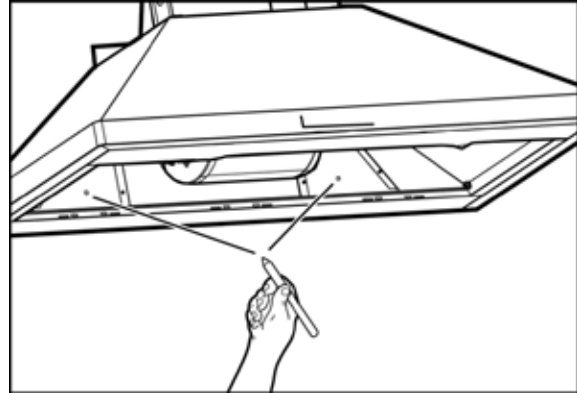
Montar la campana

ADVERTENCIA: 2 personas son necesarias para levantar y posicionar la campana en los pernos (tornillos) de montaje.

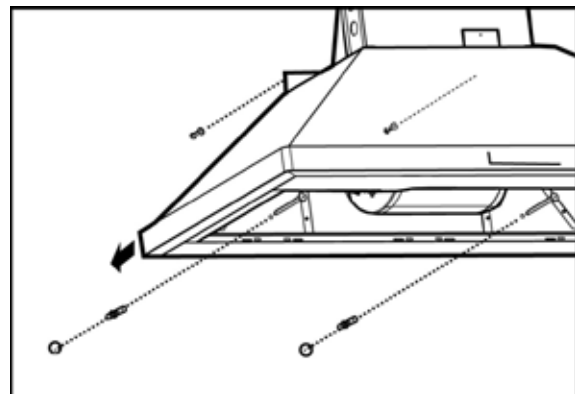
- Coloque la plantilla sobre la pared a lo largo de la línea horizontal. Asegúrese de que la plantilla esté nivelada y centrada con la línea de centro.
- Marque en la pared donde deberán ir los agujeros "superiores".
- **IMPORTANTE.** Controle que dichos agujeros, estén nivelados y centrados correctamente con la línea de centro vertical.
- Posicione y asegure los tornillos para madera "superiores" con la mano. Deje ¼ " de distancia entre la cabeza del tornillo y la pared.
- Quitar los filtros de grasa y monte la campana sobre los tornillos "superiores".



- Señale las ubicaciones de los agujeros inferiores para los tornillos para madera «inferiores» en la pared, utilice un lápiz.

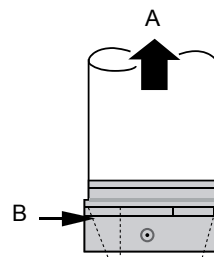


- Quite la campana.
- Atornille con la mano los tornillos "inferiores" para madera.
- Desatornille los tornillos.
- Monte la campana sobre los tornillos "superiores".
- Atornille y apriete con la mano los tornillos "superiores" para madera.
- Atornille y apriete con la mano los tornillos "inferiores" para madera.



Conectar el conducto

- Instale el conducto, haciendo conexiones en la dirección de la corriente de aire así como está ilustrado en el siguiente dibujo.
- Empuje el conducto encima de la salida de escape.
- Selle herméticamente todas las coyunturas (articulaciones) de los conductos y las abrazaderas de conexión con cinta para conductos.
- Realice la misma operación para la salida de aire de pared o de techo.



A. Flujo de aire
B. Cinta sobre la unión

Conexión Eléctrica

ADVERTENCIA

Peligro de descarga eléctrica

Advertencia: antes de realizar el cableado de este aparato, desactive el circuito de energía eléctrica en el panel de servicio.

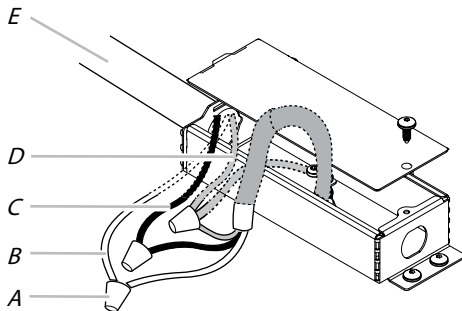
Se requiere un circuito 120 VAC, 15 ó 20 A.

INSTRUCCIONES DE TOMA ELÉCTRICA

ESTE APARATO DISPONE DE UNA CAJA DE CONEXIONES ELÉCTRICAS CON 3 CABLES, UNO DE LOS CUALES (VERDE Y AMARILLO) SIRVE COMO TOMA DE TIERRA PARA EL APARATO PARA PROTEGERSE DE DESCARGAS ELÉCTRICAS, EL CABLE VERDE Y AMARILLO DEBE ESTAR CONECTADO AL CABLE DE TOMA A TIERRA DE SU SISTEMA DOMÉSTICO DE ELECTRICIDAD Y BAJO NINGUNA CIRCUNSTANCIA DEBE CORTARSE O ELIMINARSE.

De lo contrario, podría tener como resultado una descarga eléctrica o la muerte.

1. Desconecte el suministro de energía.
2. Quite la tapa de la caja de terminales.
3. Quite el disco removible que está en la caja de terminales e instale un protector de cables de ½" que esté en la lista de UL o esté aprobado por CSA.
4. Haga pasar el cableado de suministro de energía doméstico a través del protector de cables de ½" dentro de la caja de terminales.



- A. Conectores de alambres aprobados por UL
- B. Alambres blancos
- C. Alambres negros
- D. Alambre verde (o desnudo) conectado a los alambres amarillos-verdes
- E. Suministro de energía doméstico

5. Use conectores de alambres que estén en la lista de UL y conecte los alambres blancos (B) juntos.

6. Use conectores de alambres que estén en la lista de UL y conecte los alambres negros (C) juntos.

Peligro de Choque Eléctrico

Conecte el motor a tierra.

Conecte el alambre de tierra al alambre verde y amarillo de conexión a tierra en la caja de terminales.

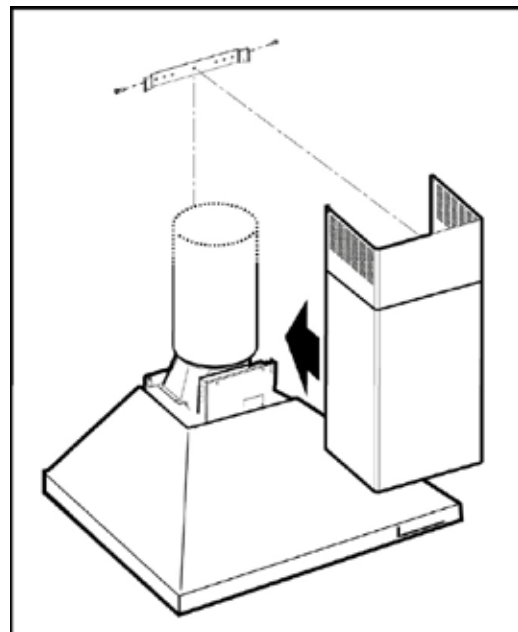
No seguir estas instrucciones puede ocasionar la muerte o choque eléctrico.

7. Conecte el alambre verde (o desnudo) de puesta a tierra del suministro eléctrico de la casa a los 2 alambres amarillos - verdes de puesta a tierra (D) en la caja de terminales usando conectores de alambres que estén en la lista de UL.
8. Apriete el tornillo del protector de cables.
9. Instale la cubierta de la caja de terminales.
10. Reconecte el suministro de energía.

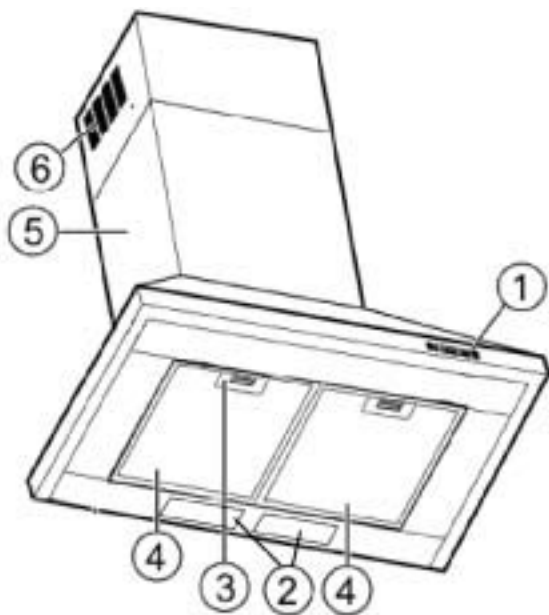
Montar la cubierta del conducto

Nota: La carcasa del ducto con ranuras sin ventilación pueden ser ubicada de manera inversa para tapan (o destapar) las ranuras.

- Coloque la cubierta del conducto por encima de la campana montada.
- Deslice la parte inferior del conducto en el área de la campana.
- Coloque la parte superior del ducto sobre el soporte. Si se usa una cubierta telescópica del conducto, tome la parte superior de la cubierta telescópica y posicónela en el soporte.
- Sujete la parte superior del conducto con 2 tornillos de montaje proporcionados.



Descripción de la campana y los controles



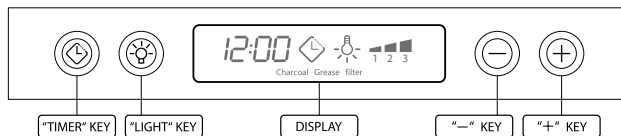
1. Panel de Control
2. Cubierta de las lámparas
3. Manija de sujeción del Filtro de grasa
4. Filtro de Grasa
5. Cubierta del ducto
6. Rejilla de la cubierta del ducto

Control

Utilice la máxima velocidad de aspiración en casos de vapores de cocina concentrados. Es recomendable dejar encendida la campana 5 minutos antes de empezar a cocinar, dejarla operando durante el proceso de cocinado y 15 minutos después de haber terminado.

NOTA: La campana conserva la última velocidad de aspiración utilizada al ser apagada.

Descripción del panel de control



1. Tecla Temporizador

- El tiempo ajustado de default es 10 minutos y puede ser ajustado entre 60 minutos y 1 minuto.
- Después de pulsar la tecla, el sistema entra en la modalidad de ajuste y el usuario puede ajustar el tiempo de la cuenta regresiva del temporizador utilizando las teclas "+" y "-" en un plazo de 5 segundos.
- Si no se lleva a cabo ningún ajuste en estos 5 segundos que siguen a la selección de la función "Timer" o al ajuste del tiempo, inicia la cuenta regresiva.
- Durante el setup del "Timer" las teclas "+" y "-" son dedicadas a la temporización y no varían la velocidad del motor.
- Una vez iniciado el conteo, este puede ser anulado pulsando la tecla "Temporizador".

2. Tecla Luz

- Pulsar la tecla para encender la luz "alta intensidad" (estado anterior luz OFF).
- Pulsar la tecla para encender la luz "baja intensidad" (estado anterior luz ON).
- Pulsar la tecla para apagar la luz (estado anterior luz ON).

3. Pantalla

- Muestra el estado de la campana.
- Cuando la campana no es operativa el display será iluminado con baja intensidad. Pulsando cualquier tecla el display se iluminará con una intensidad alta.
- Cuando la campana es operativa el display será iluminado con alta intensidad. Si no se pulsa ninguna tecla por 1 minuto el display se vuelve a iluminar con intensidad baja.

4. "-" Tecla disminución velocidad / OFF

- Esta tecla es utilizada para reducir la velocidad del motor y para apagar la campana.
- El motor se apaga pulsando la tecla "-" si la campana se encuentra en la 1° velocidad.
- Si el motor se encuentra en la 2° velocidad y se pulsa la tecla "-", el motor pasa en la 1° velocidad.
- Si el motor se encuentra en la 3° velocidad y se pulsa la tecla "-", el motor pasa en la 2° velocidad.
- Si el motor se encuentra en la 4° velocidad y se pulsa la tecla "-", el motor pasa en la 3° velocidad.
- Si el motor está apagado y se pulsa la tecla "-", se ilumina la pantalla.

5. "+" Tecla incremento velocidad / ON

- Esta tecla es utilizada para aumentar la velocidad del motor y para encender la campana.

- El motor se enciende pulsando la tecla “+” si la campana se encuentra en el estado OFF.
- Si el motor se encuentra en la 1° velocidad y se pulsa la tecla “+”, el motor pasa en la 2° velocidad.
- Si el motor se encuentra en la 2° velocidad y se pulsa la tecla “+”, el motor pasa en la 3° velocidad.
- Si el motor se encuentra en la 3° velocidad y se pulsa la tecla “+”, el motor pasa en la 4° velocidad.
- Si el motor se encuentra en la 4° velocidad y se pulsa la tecla “+”, se emite un “beep”.

Funciones Especiales

Programación Reloj

- El reloj puede ser ajustado en cualquier momento a excepción de cuando está activa la función temporizador.
- El reloj puede ser visualizado en el formato de 12 horas con un tiempo de visualización entre 1:00 y 12:59.
- El reloj puede ser visualizado pulsando la tecla “Timer” por 3 segundos, actuando sucesivamente sobre las teclas “+” y “-” para ajustar la hora.
- El usuario puede aumentar/disminuir la hora con step de 1 minuto, pero si se pulsan las teclas “+”/“-” por 1 segundo el aumento/disminución acontece con step de 5 minutos. Durante dicha operación el control redondea a los 5 minutos más cercanos.
- El usuario puede terminar la fase de ajuste de la hora pulsando la tecla “Timer”.
- Después de 1 minuto que no se pulsa ninguna tecla, el control acepta el valor ajustado y añade 1 minuto al mismo e inicia a contar.

Señal saturación de Filtro Grasa (Opcional)

- Después de 40 horas de funcionamiento del motor, en la pantalla aparece la indicación “Grease Filter” si el motor está activo. Cuando aparece esta señal en la pantalla, el filtro instalado necesita ser lavado.
- Para reiniciar la señal de filtro de grasa, el usuario debe pulsar la tecla “+” por 5 segundos, después de esta acción, la señal “Grease Filter” desaparece y la pantalla muestra el estado del funcionamiento.

Señal saturación Filtro de Carbón (Opcional)

- Después de 120 horas de funcionamiento del motor, en la pantalla aparece la señal “Charcoal Filter” si el motor está activo. Cuando esta señal aparece en la pantalla el filtro carbón instalado debe ser cambiado o reactivado.
- Para reiniciar la señal de filtro grasas, el usuario debe Pulsar la tecla “-” por 5 segundos, después de esta acción, la señal “Charcoal Filter” desaparece y la pantalla muestra el estado del funcionamiento.

Activación/Desactivación señal acústica

- Las señales acústicas pueden ser activadas o desactivadas pulsando la tecla “Luz” por 5 segundos.
- Si la señal acústica está activada, debe ser emitido un sonido y el símbolo “Snd” debe aparecer en la pantalla por 3 segundos.
- Si la señal acústica está desactivada, el símbolo “Snd” debe aparecer en la pantalla por 3 segundos y no es emitido ningún sonido.

Activación/Desactivación señal Filtro Carbón (versión Filtrante)

- La activación y la desactivación de la señal saturación filtro carbón puede ser ajustada pulsando simultáneamente por 5 segundos las teclas “-” y “+”.

- La activación o la desactivación debe ser realizada con motor y lámparas OFF.
- Cuando la señal Filtro Carbón está desactivada, se desactiva la alarma.

Sensor térmico

- La campana está equipada con un sensor de temperatura que activa el motor en 3° velocidades, si la temperatura de la zona circundante es demasiado elevada (superior a 149° F o 65° C).
- Si el motor está en OFF o en 1° velocidad, e interviene la alarma, el motor se coloca automáticamente en la 3° velocidad y en la pantalla aparecerá la señal “CarE”.
- Durante este estado, el usuario puede aumentar solamente la velocidad del motor.
- Cuando la temperatura regresa bajo el límite de alarma, el motor regresa en la condición anterior a la alarma.

Mantenimiento

Reemplazar los filtros de grasa

El filtro de metal atrapa la grasa liberada por los alimentos en la cocina. Los filtros deben estar siempre instalados cuando la campana se encuentre en funcionamiento.

Para retirar:

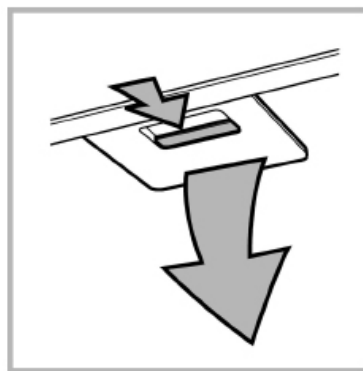
- Presione el pivote de sujeción en dirección al centro del filtro.
- Una vez que ha sido presionado el pivote, baje lentamente el filtro.

Para reemplazar:

- Inserte las pestañas del filtro en las ranuras
- Presione el pivote de sujeción en dirección al centro del filtro.
- Una vez que ha sido presionado el pivote, levante lentamente el filtro hasta su lugar y suelte el pivote.

Para limpiar:

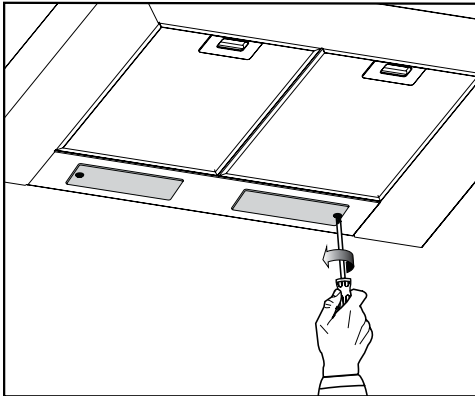
- Sumerja el filtro en solución jabonosa caliente y enjuague con agua limpia, ó lave en lavavajillas.
- No utilice limpiadores abrasivos.



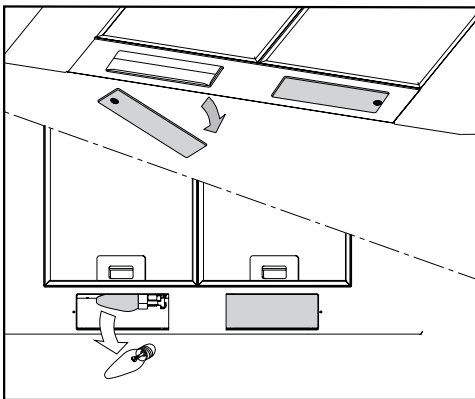
Reemplazar la lámpara incandescente

PRECAUCIÓN: Antes de reemplazar las lámparas, desconecte la corriente para prevenir que la campana sea encendida accidentalmente.

1. Use un destornillador Phillips # 2 para remover la cubierta de la lámpara. Retírela cuidadosamente.



2. Retire la lámpara dañada (gire en sentido contrario a las manecillas del reloj) y reemplacela con una nueva lámpara 120V, 40W, E12 Philips.



Accesorios

Filtros de Carbón

Si el modelo no tiene una salida hacia el exterior, el aire, recirculará a través de los filtros de carbón vegetal disponibles, que ayudan a quitar humos y olores. Los filtros de carbón no pueden limpiarse. Deben ser reemplazados.

Aplicar el filtro de carbon para cubrir la parrilla que protege el motor aspirante de modo que las azas del filtro correspondan con los pernos de los lados de la parrilla que protege el motor. Girar el filtro en sentido horario para bloquearlo (fijación a acordeón).

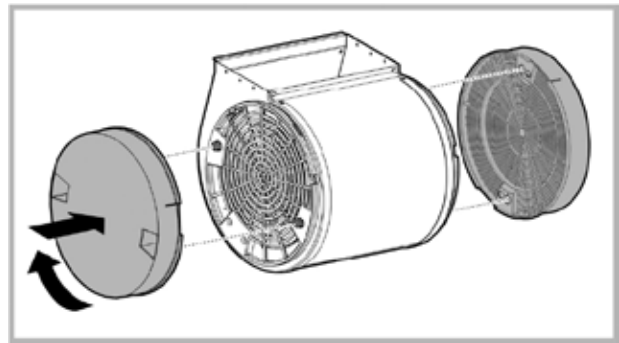
Los filtros de carbón vegetal deben ser reemplazados después de 4-6 meses, dependiendo, del uso de la campana).

NOTA: NO enjuagar, o poner los filtros de carbón vegetal en un lavaplatos automático.

NOTA: Los filtros de carbón vegetal no son incluidos con la campana.

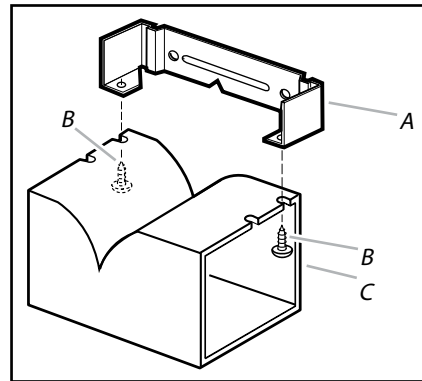
Deben ser pedidos al proveedor.

Pedir el equipo necesario específico para el modelo de la campana y respetar el tamaño de la anchura



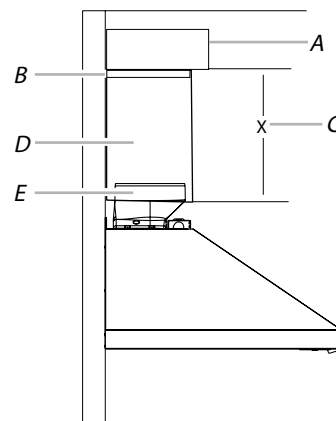
Instalación del deflector de aire (Recirculante versión)

1. Ensamble el desviador de aire con el soporte de la cubierta del ducto y los 2 tornillos de ensamblaje provistos.



A. Soporte de la cubierta del ducto
B. Tornillos de 2,9 x 6,5 mm
C. Desviador

2. Mida desde la parte inferior del desviador de aire hasta la parte inferior de la salida de la campana.



A. Desviador de aire
B. Abrazadera para ducto
C. X = longitud para cortar el ducto de escape
D. Ducto de escape
E. Salida de escape

3. Corte el ducto al tamaño medido (X).
4. Saque el desviador de aire.
5. Deslice el ducto sobre la parte inferior del desviador de aire.
6. Coloque el desviador de aire y el ducto ensamblados sobre la salida de escape que viene de la campana.
7. Vuelva a ensamblar el desviador de aire al soporte de la cubierta del ducto con 2 tornillos de ensamblaje.
8. Selle las conexiones con las abrazaderas para ducto.

OBTENER SERVICIOS BAJO GARANTÍA:
O cualquier Pregunta Relacionada con los
Servicios, por favor, llame: 1-888-732-8018

Engrape su recibo aquí.
Como demostración de la adquisición, es
necesaria la fecha, para cualquier servicio
bajo garantía.

OBTENER SERVICIOS BAJO GARANTIA: Usted debe presentar una prueba de la fecha original de adquisición. Conserve una copia de su nota de compras con fecha, para obtener servicios bajo garantía

Garantía de componentes y servicio:

Por un periodo de un año desde la fecha original de compra, ofreceremos sin costo alguno, el reemplazo de piezas no consumibles o componentes que han fallado debido a defectos de fabricación.

Durante este año de garantía limitada, también ofreceremos sin costo alguno, la mano de obra y el servicio en su domicilio para reemplazar la parte defectuosa.

Lo que no cubre:

- Daños a la campana ocasionados por inundaciones, actos de Dios, fuego y accidentes.
- Daños causados después de la entrega.
- Reemplazo de fusibles o el reajuste de la caja de contactos del circuito eléctrico.
- Viajes de servicio a su domicilio para enseñarle a usar o instalar el producto.
- Lámparas, filtros de grasa, filtros de carbón y otras partes consumibles.
- El desgaste natural del acabado, así como el desgaste ocasionado por el mantenimiento inadecuado, el uso de productos para limpieza corrosivos y abrasivos, y otros limpiadores para hornos.

Esta Garantía será anulada cuando:

- El producto ha sido dañado debido a una instalación inadecuada y no haber seguido las instrucciones para su instalación, traslado o mantenimiento.
- Daños Incidentales o de consecuencia causados por posibles defectos de este electrodoméstico.
- Daños por alteración o modificación, al producto que puedan causar fallas en la operación de acuerdo con las especificaciones funcionales.
- Daños debidos a conexiones inapropiadas con equipos de otros fabricantes.
- Daños al producto por ser usado con negligencia, abuso, uso indebido o utilizado para otros propósitos al cual fué fabricado, o bien uso comercial.
- Reparaciones, modificaciones o servicios inadecuados realizados al producto por agentes no autorizados.

Quien está cubierto:

Esta garantía se extiende al comprador original para productos comprados para uso doméstico en los 48 estados principales de los Estados Unidos de América, Hawaii, Washington D.C., Alaska, Guam, Puerto Rico y las Islas Vírgenes.

Esta garantía es intransferible y aplica solamente para el comprador original y no se extiende a los propietarios subsecuentes de este producto. La presente garantía sustituye expresamente cualquier otra garantía, ya sea expresa o implícita, incluyendo, sin limitar, todas las garantías implícitas de comerciabilidad o idoneidad para un fin concreto, así como todas las demás obligaciones a cargo de Elicamex. Sin embargo, en caso de que la renuncia a las garantías implícitas resultara inaplicable de acuerdo a la ley vigente, la vigencia de cualquier garantía implícita derivada de la aplicación de la ley será limitada a un periodo de 1 (un) año, contado a partir de la fecha de compraventa originaria al menudeo, o por un periodo mas amplio en caso de que éste último sea previsto por la ley aplicable.

Esta garantía no cubre ningún daño especial, fortuito y/o consecuente, ni la pérdida de beneficios, sufridos por el comprador original, de sus clientes y/o de los usuarios del producto.

Tenga su comprobante de compra con la fecha, lista para cuestiones de garantía.

O bien escriba a:

Elicamex S.A. de C.V.
Av. La Noria 102
Ampliación Parque Industrial Querétaro
México
C.P. 76220

