

CHROME

ISLAND



COLLECTION SERIES



An island hood with an elegant vertical style, Chrome's design is simple yet sophisticated, with four separate panels of polished stainless steel, forming the sides of the chimney, which convey strength and timeless grace.

Chrome with the EDS3 (Elica Deep Silence) technology, delivers the golden pleasures of silence. With only 4.8 sones at top speed, the kitchen is truly a peaceful place to pass the time... in perfect silence.

The powerful 600 CFM blower and halogen lighting are operated by a touch sensitive steel rod control, aptly named the Magic Wand. A gentle touch of the finger to the rod is all it takes, or operate from anywhere in the room with the beautifully crafted Jet black remote control.

MODELS

ECH623SS Chrome 23" Stainless

DIMENSIONS

(22 7/8" W x 17" D x 22 7/8" H)



Halogen Lamps



Magic Wand Controls



EDS Anodized Aluminum Mesh Filter

FEATURES

Size (in) & Type Finish	23" Wide Island Stainless Steel
Controls	Magic Wand
Illumination	2, 20 Watt Halogen Lamps, 2 Light Intensities (bulbs included)
Installation Type	Ducted or Recirculating Installation Recirculating Kit Sold Separately
Blower Type	600 CFM, 4-Speed Internal
Blower Performance	Speed 1, 195 CFM, 0.7 Sones Speed 2, 340 CFM, 1.8 Sones Speed 3, 500 CFM, 3.5 Sones Speed 4, 600 CFM, 4.8 Sones
Filter Type	1, EDS Dishwasher-Safe Anodized Aluminum Mesh Grease Filter
Telescopic Chimney Extension	For heights 7'9" - 9'8" (ducted)
Duct Transition	8" Round with Back Draft Damper (top)
Electrical	120V-60Hz 360 Watts at 3.0 Amps
Warranty	2 Year Parts & Labor, In-Home Service

ACCESSORIES



Optional Recirculating Kit

CODE: KIT01916/S
MODEL: KIT01916/S



Optional Jet Black Remote Control

CODE: KIT02183/1
MODEL: EXXRCDBL

CONSUMABLE PARTS

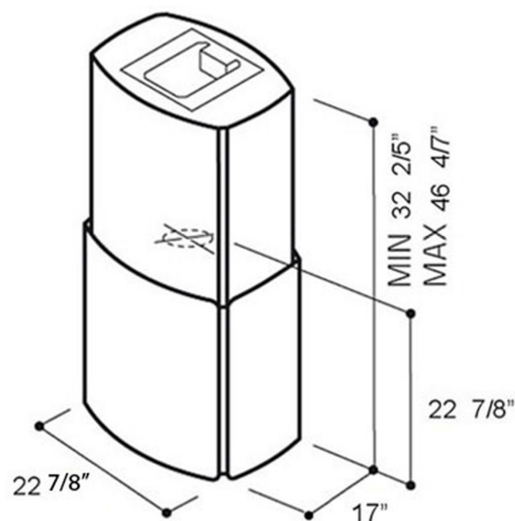
Replacement Grease Filter (1)
CODE: GF07GA

Replacement Carbon Filter (1)
CODE: KIT02311

Replacement Light Bulb (1)
CODE: 2006AF

Consumable parts are sold in units of one (1). Order accordingly.

LINE DRAWING



SPECIAL FEATURES



Elica Deep Silence: An exclusive sound deadening technology that utilizes a patented filter design, which substantially eliminates air turbulence and ultimately reduces sound levels by over 40%, compared to typical range hoods.