

JULIETTE

HANGING



≥ 20"



≥ 26"

COLLECTION



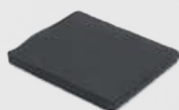
Juliette is characterized by gentle oval curves, leading to a more leisurely pace and style. Beautifully cut designs and flowing ambient light bring to life the flowing scenery, vibrant scents and romantic interludes of the French countryside. A masterfully crafted symbol that embodies a taste of the good life.



Halogen Lamps



Soft Touch, Push Buttons Controls



Aluminium Mesh Grease Filters & Long Life Carbon Filter

MODELS

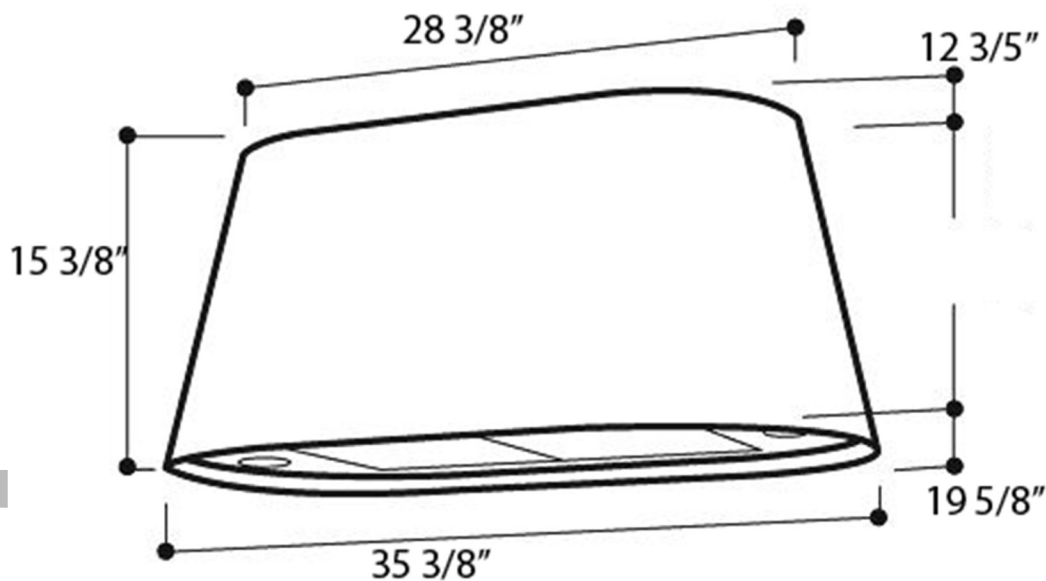
EJL336PL Juliette 36" Pearl

DIMENSIONS

(35 ³/₈"W x 19 ⁵/₈"D x 15 ³/₈"H)

FEATURES

Size (in) & Type Finish	36" Wide, Island Hood Pearl
Controls	Soft Touch, Push Buttons
Illumination	2, 20 Watt Halogen Lamps (Bulbs Included) 6, 40 Watt Incandescent Ambient Lamps (Bulbs Included) 1 Light Intensity
Installation Type	Recirculating Only
Blower Type	350 CFM, 3-Speed Internal
Blower Performance	Speed 1, 110 CFM, 0.3 Sones Speed 2, 220 CFM, 2.1 Sones Speed 3, 350 CFM, 3.8 Sones
Filter Type	2, Dishwasher-Safe Aluminium Mesh Grease Filter 2, Long Life Carbon Filter (Included)
Standard Ceiling Height	Range 6' 10" - 11' 8"
Electrical	120V - 60 Hz 200 Watt at 1.7 Amps



ACCESSORIES



Optional Ceiling Heights
Range 6' 10"- 23' 4"

CODE: KIT01921
MODEL: EXXEEKSS



Optional Replacement Long Life Carbon Filter
(Two are needed)

CODE: RG006A
MODEL: EXXRCKEC