

MINI-OM  
WALL-MOUNT



High performance



Head saver



≥ 16"



≥ 26"

COLLECTION



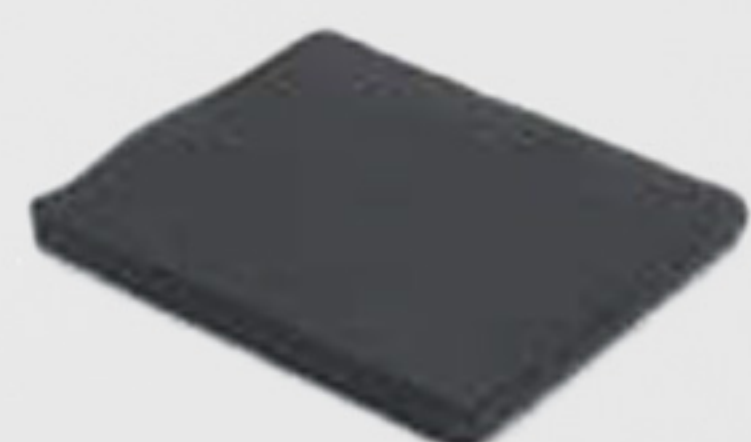
From large to small, from one to many: a new version of Om that allows everyday reality to gather the fragments of a single original thought – fragments of color and pure form - and design the space and the architecture of your own private world.



Halogen Lamps



Soft Touch Illuminating Controls



Aluminium Mesh Grease Filter & Long Life Carbon Filter

MODELS

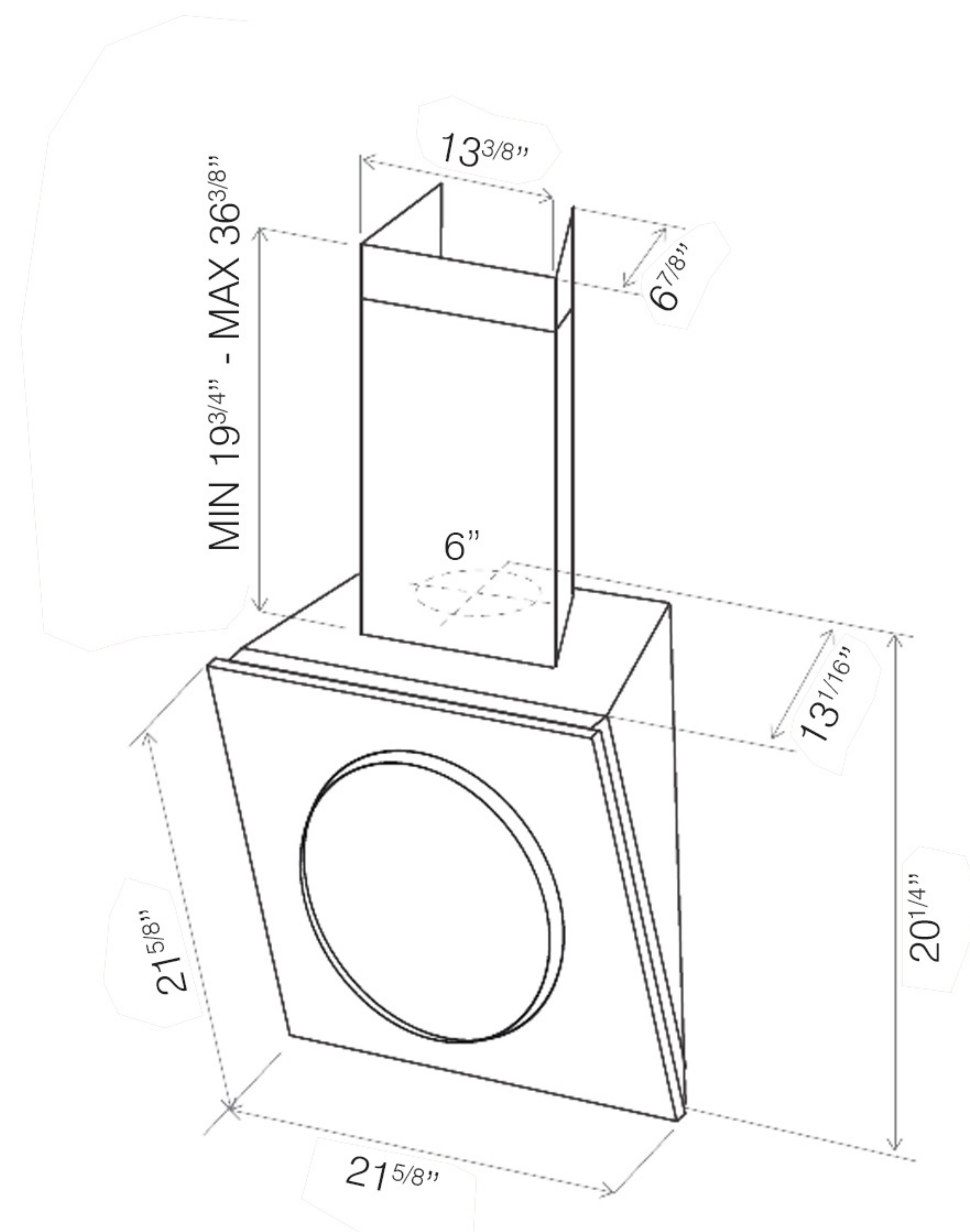
EMI422BL Mini Om 22" Black  
EMI422WT Mini Om 22" White

DIMENSIONS

(21 <sup>5</sup>/<sub>8</sub>"W x 13 <sup>1</sup>/<sub>16</sub>"D x 20 <sup>1</sup>/<sub>4</sub>"H)  
(21 <sup>5</sup>/<sub>8</sub>"W x 13 <sup>1</sup>/<sub>16</sub>"D x 20 <sup>1</sup>/<sub>4</sub>"H)

FEATURES

Size (in) & Type Finish	22" Wide, Wall-Mounted Hood Colored Glass
Controls	Soft Touch Illuminating
Illumination	2, 20 Watt Halogen Lamps (Bulbs Included) 1 Light Intensities
Installation Type	Recirculating (Recirculating Kit Included) Ducted (Telescopic Chimney Sold Separately)
Blower Type	450 CFM, 3-Speed Internal
Blower Performance	Speed 1, 100 CFM, 0.3 Sones Speed 2, 280 CFM, 2.8 Sones Speed 3, 450 CFM, 4.0 Sones
Filter Type	1, Dishwasher-Grease Aluminium Filter 1, Long Life Carbon Filter (Included)
Duct Transition	6" Round
Electrical	120V - 60 Hz 270 Watt at 2.3 Amps



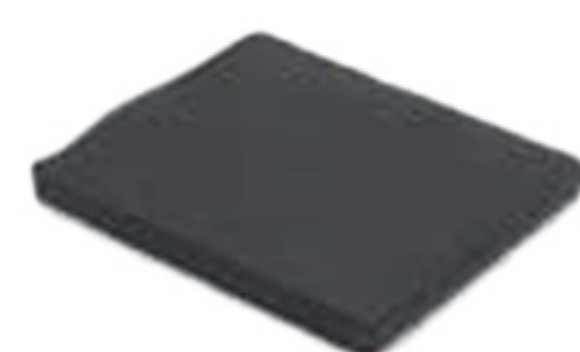
ACCESSORIES



Optional  
Telescopic Chimney  
Extension, 7'3" to  
8'4" (Ducted)  
CODE: KIT01513  
MODEL: EMICEK13



Optional  
Telescopic Chimney  
Extension, 8'0" to  
9'8" (Ducted)  
CODE: KIT01797  
MODEL: EMICEK12



Optional  
Long Life Carbon  
Filter  
CODE: RG006A  
MODEL: EXXRCKEC