

# PALERMO INSERT



## ASPIRE



Palermo provides professional grade performance, while it's 28<sup>1/4</sup>" width and 10<sup>3/4</sup>" depth enables it to be discreetly installed within standard 12" deep cabinetry, making it ideal for smaller kitchens or where the range hood needs to be out of sight. Palermo has a powerful 600 CFM blower to support most cooking needs. Stylish Stainless Steel push button controls operate a 3 speed blower and halogen lighting. Easy maintenance, higher efficiency and a cleaner kitchen are ensured by Elica's patented Baffle Slot Filters, which capture a higher percentage of grease and hold larger volumes of grease than traditional baffle filters. Palermo is designed for standard ducted or recirculating installation.



Halogen Lamps



Stainless Push Button Controls



Stainless Steel Baffle Slot Filters

### MODELS

EPR628SS Palermo 28" Stainless

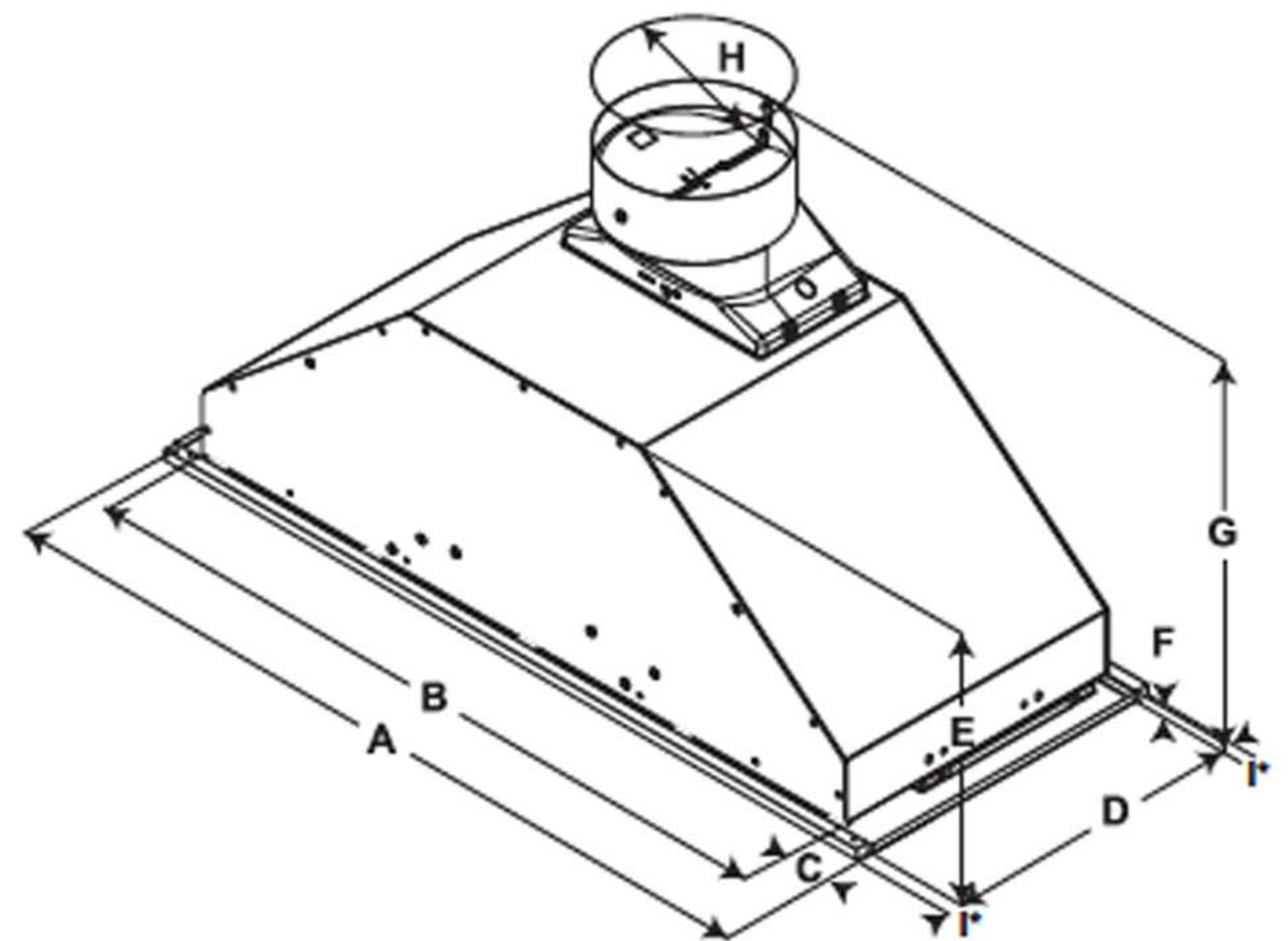
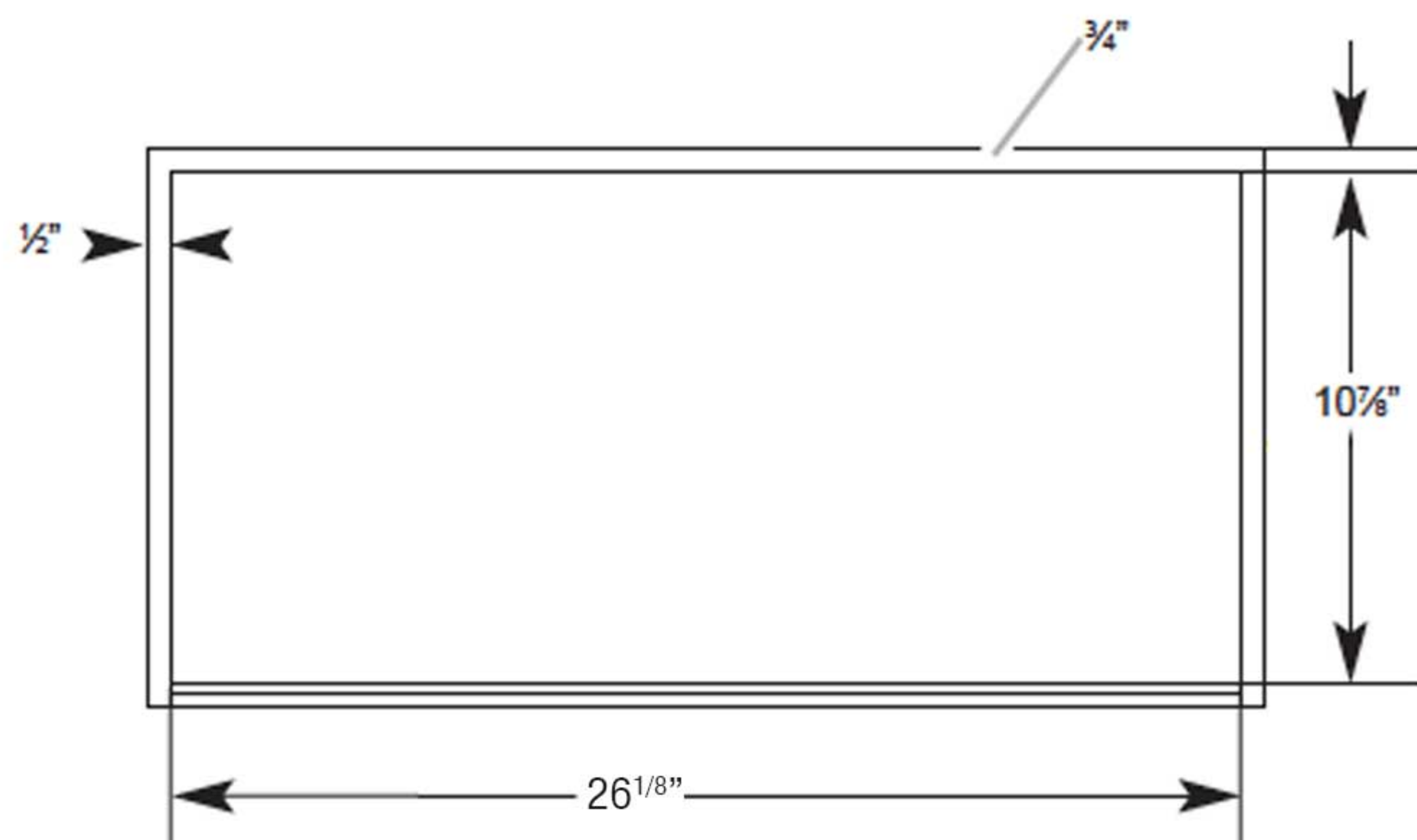
### DIMENSIONS

(28<sup>1/4</sup>"W x 10<sup>3/4</sup>"D x 9<sup>1/2</sup>"H)

## FEATURES

Size (in) & Type Finish	28" Wide, Insert Stainless Steel
Controls	Stainless Push Button
Illumination	2, 40 Watt Halogen Lamps (Bulbs Included) 1 Light Intensity
Installation Type	Ducted or Recirculating Installation
Blower Type	600 CFM, 3-Speed Internal
Blower Performance	Speed 1, 190 CFM, 2.1 Sones Speed 2, 350 CFM, 4.7 Sones Speed 3, 600 CFM, 8.1 Sones
Filter Type	2, Dishwasher-Safe, Stainless Steel Baffle Slot
Duct Transition	6" Round (Back Draft Damper Included)
Electrical	120V - 60 Hz 260 Watt at 4.6 Amps

## Cut out dimensions (without spacers)



## ACCESSORIES



Optional  
recirculating Kit  
2 Carbon Filters

CODE: KIT02770  
MODEL: EXXRCK10



Optional  
30" Hood Liner  
28 1/2"W x 17" OR  
20"D x 4"H

CODE: KIT02773  
MODEL: EXXHDL30



Optional  
36" Hood Liner  
34 1/2"W x 17" OR  
20"D x 4"H

CODE: KIT02774  
MODEL: EXXHDL36

## EAS428SS / EPR628SS range hood models

	Dimension
DIM A	28 1/4"
DIM B	26"
DIM C	1 1/8"
DIM D	10 3/4"
DIM E	9 1/2"
DIM F	5/16"
DIM G	14 3/16"
DIM H	6"
DIM I	1/2"