

SPACE WALL-MOUNT



High performance



≥ 20"



≥ 26"

COLLECTION



The circle: symbol of the absolute and the alchemist. A movement that leaves and returns to the origin of everything, depicting, in reality, the shape of time itself. Space enters our everyday architecture and brings a fragment of the infinite into the world of the useful and necessary.



Halogen Lamps



Digital "R" with Pure Function Controls



Elica Deep Silence (EDS) Filter

MODELS

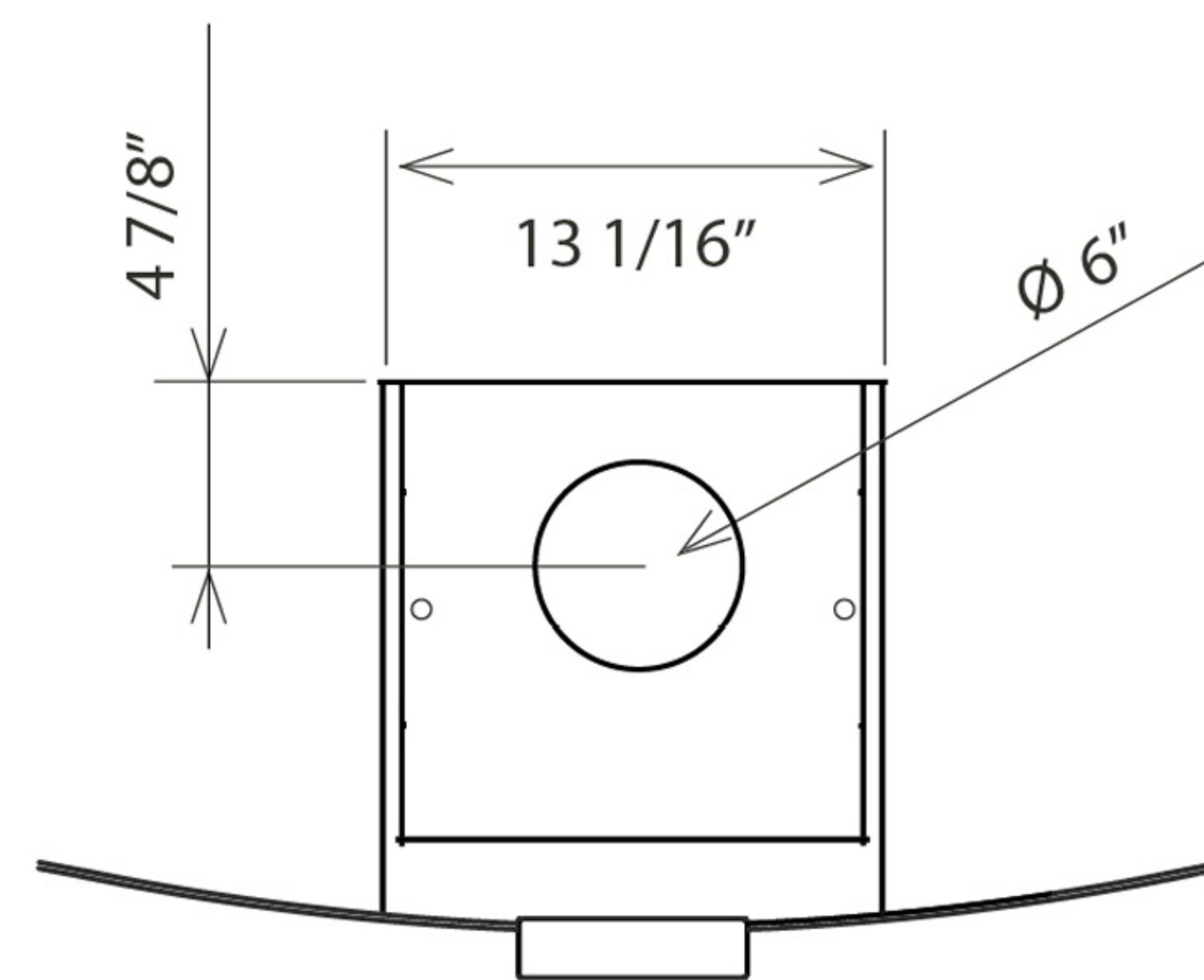
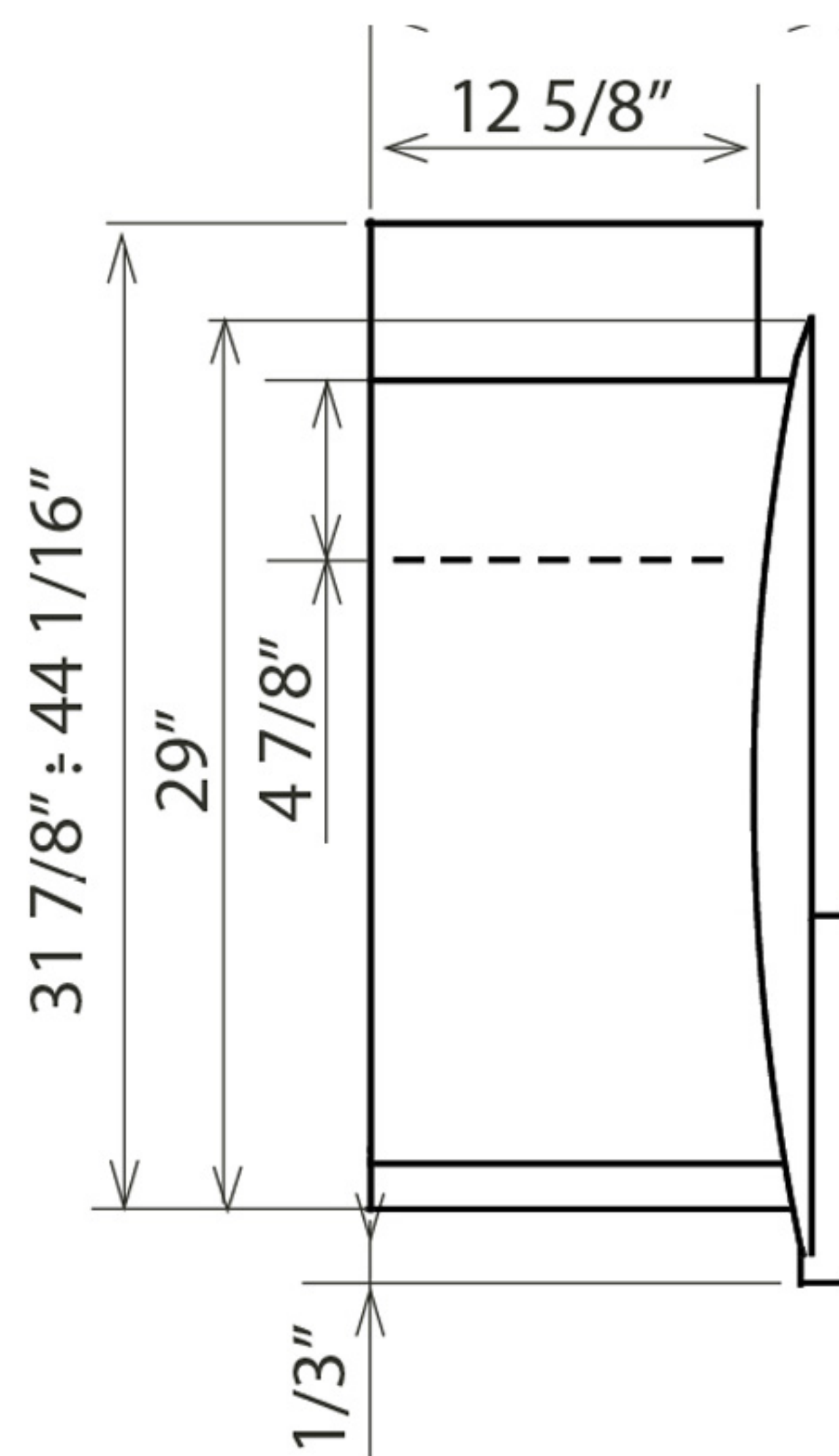
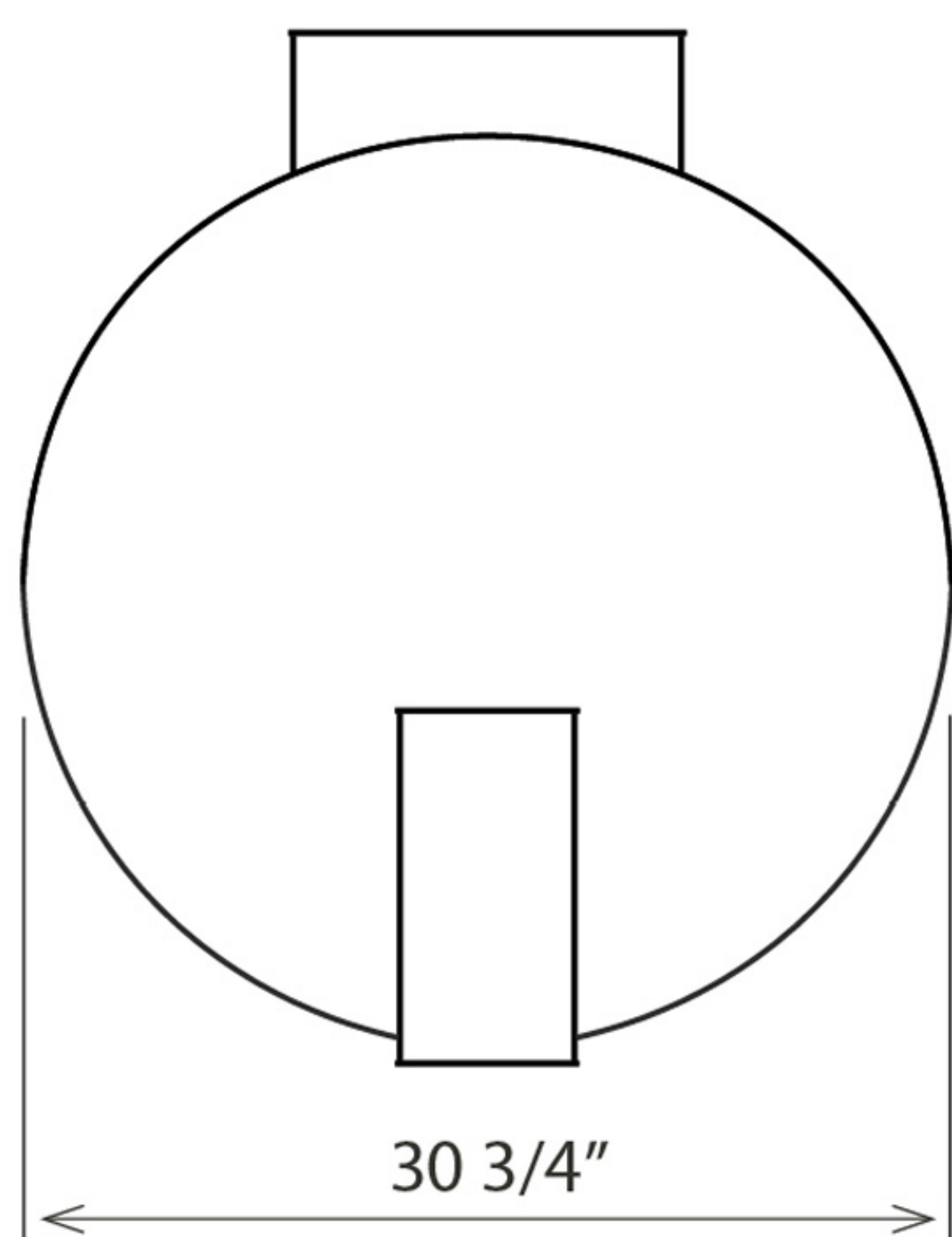
ESP630BL Space 31" Black
ESP630WT Space 31" White

DIMENSIONS

(30 3/4" W x 15 1/2" D x 31 1/3" H)
(30 3/4" W x 15 1/2" D x 31 1/3" H)

FEATURES

Size (in) & Type Finish	31" Wide, Wall Mounted Hood Stainless Steel & Colored Glass
Controls	Digital "R" with Pure Function
Illumination	2, 20 Watt Halogen Lamps (Bulbs Included) 2 Light Intensities
Installation Type	Ducted or Recirculating Installation (Telescopic Chimney Extension & Recirculating Kit Sold Separately)
Blower Type	600 CFM, 4-Speed Internal
Blower Performance	Speed 1, 195 CFM, 0.7 Sones Speed 2, 340 CFM, 1.8 Sones Speed 3, 500 CFM, 3.5 Sones Booster, 600 CFM, 4.8 Sones
Filter Type	Elica Deep Silence, Stainless Steel (Dishwasher)
Duct Transition	8" Round
Electrical	120V - 60 Hz 360 Watt at 3.0 Amps



ACCESSORIES



Optional
Telescopic Chimney
Extension, 9'0" to
10'2" (Ducted)
CODE: KIT01932
MODEL: ESPCEK14



Optional
Long Life Recircu-
lating Carbon filter
CODE: KIT02146
MODEL: ESPRCK10