

TITAN



WALL-MOUNT

ASPIRE SERIES

Dimensions

36" W x 25" D x 18" H
42" W x 25" D x 18" H
48" W x 25" D x 18" H

Models

ETT136SS	Titan 36" Stainless
ETT142SS	Titan 42" Stainless
ETT148SS	Titan 48" Stainless

Special features



HUSH



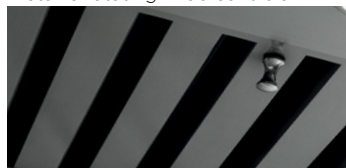
SHIELD TECH



halogen lamps



metallic rotating knob controls



professional stainless steel baffle filters



Titan's bold appearance is inspired by professional restaurant kitchens and projects a similar forward sloping design that opens up the kitchen and delivers added head room & safety for the busy gourmet. Also, Titan comes "unbranded", for easy coordination with other appliances.

Titan features 25" depth and an extra powerful 1200 CFM internal blower that will handle the most ambitious menu and features metallic rotating knobs, which operate the 4-speed blower and halogen lighting. The stainless steel baffle filters remove volumes of grease plus the entire hood and filters are treated with Elica's patented Micro-Shield coating that resists spotting, staining and dirt build up. No ear plugs required with Titan's HUSH sound suppression system, which enables you to comfortably talk and entertain, even when cooking up a storm.

Titan is designed for standard ducted ventilation only.

 elica

FEATURES

Size (in) & Type Finish	36", 42" or 48" Wide Wall-Mount Stainless Steel
Controls	Metallic Rotating Knob
Illumination	2, 40 Watt Halogen Lamps, 4 Light Intensities (36" & 42") (bulbs included) 4, 40 Watt Halogen Lamps, 4 Light Intensities (48") (bulbs included)
Installation Type	Ducted Installation Only
Blower Type	1200 CFM, 4-Speed Internal
Blower Performance	Speed 1, 375 CFM, 1.6 Sones Speed 2, 640 CFM, 3.5 Sones Speed 3, 940 CFM, 6.0 Sones Speed 4, 1200 CFM, 7.7 Sones
Filter Type	Dishwasher-Safe, Professional Stainless Steel Baffle (2 w/ 36" & 42", 3 w/ 48")
Duct Transition	10" Round with Back Draft Damper (top or rear)
Electrical	120V-60Hz 800 Watts at 6.7 Amps
Warranty	2 Year Parts & Labor, In-Home Service

ACCESSORIES



Optional 6" Chimney Extension

CODE: KIT02158 / MODEL: EXXCEK02 (36")
CODE: KIT02622 / MODEL: EXXCEK07 (42")
CODE: KIT02164 / MODEL: EXXCEK05 (48")



Optional 12" Chimney Extension

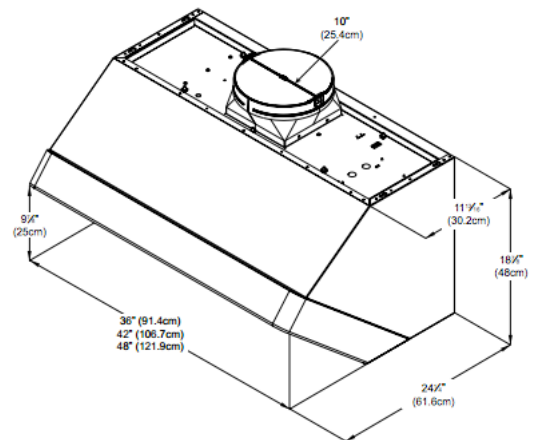
CODE: KIT02161 / MODEL: EXXCEK04 (36")
CODE: KIT02623 / MODEL: ECLCEK08 (42")
CODE: KIT02165 / MODEL: EXXCEK06 (48")



Optional Stainless Steel Back Splash & Warming Racks

CODE: KIT02163 / MODEL: EXXBK36 (36")
CODE: KIT02624 / MODEL: ECLBSK42 (42")
CODE: KIT02166 / MODEL: ECLBSK48 (48")

LINE DRAWING



CONSUMABLE PARTS

Replacement Light Bulb (1)

CODE: 2006DX

Consumable parts are sold in units of one (1). Order accordingly.

SPECIAL FEATURES



HUSH

Elica HUSH Silence System:

An exclusive sound deadening technology that effectively reduces sound levels by over 35%, compared to typical range hoods.



SHIELD TECH

Elica ShieldTech:

An exclusive material that is factory applied to all metal surfaces of the hood, including the filters. The clear sealant resists unsightly fingerprints and the build up of cooking contaminants and staining to the filters.