



**TITAN**  
WALL-MOUNT

ASPIRE SERIES



Titan's bold appearance is inspired by professional restaurant kitchens and projects a similar forward sloping design that opens up the kitchen and delivers added head room & safety for the busy gourmet. Also, Titan comes "unbranded", for easy coordination with other appliances. Titan features 25" depth and an extra powerful 1200 CFM internal blower that will handle the most ambitious menu and features stainless rotating knobs, which operate the 4-speed blower and halogen lighting. The stainless steel baffle filters remove volumes of grease plus the entire hood and filters are treated with Elica's patented Micro-Shield coating that resists spotting, staining and dirt build up. No ear plugs required with Titan's HUSH sound suppression system, which enables you to comfortably talk and entertain, even when cooking up a storm.

Titan is designed for standard ducted ventilation only.

**MODELS**

- ETT136SS Titan 36" Stainless
- ETT142SS Titan 42" Stainless
- ETT148SS Titan 48" Stainless

**DIMENSIONS**

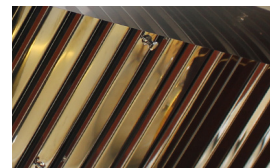
- (36"W x 25"D x 18"H)
- (42"W x 25"D x 18"H)
- (48"W x 25"D x 18"H)



Halogen Lamps



Stainless Rotating Knob Controls



Professional Stainless Steel Baffle Filters

## FEATURES

<b>Size (in) &amp; Type Finish</b>	36", 42" or 48" Wide Wall-Mount Stainless Steel
<b>Controls</b>	Stainless Rotating Knob
<b>Illumination</b>	2, 40 Watt Halogen Lamps, 4 Light Intensities (36" & 42") (bulbs included) 4, 40 Watt Halogen Lamps, 4 Light Intensities (48") (bulbs included)
<b>Installation Type</b>	Ducted Installation Only
<b>Blower Type</b>	1200 CFM, 4-Speed Internal
<b>Blower Performance</b>	Speed 1, 375 CFM, 1.6 Sones Speed 2, 640 CFM, 3.5 Sones Speed 3, 940 CFM, 6.0 Sones Speed 4, 1200 CFM, 7.7 Sones
<b>Filter Type</b>	Dishwasher-Safe Professional Stainless Steel Baffle (2 w/ 36" & 42", 3 w/ 48" Units)
<b>Duct Transition</b>	10" Round with Back Draft Damper (top or rear)
<b>Electrical</b>	120V-60Hz 800 Watts at 6.7 Amps
<b>Warranty</b>	2 Year Parts & Labor, In-Home Service

## ACCESSORIES



Optional 6-inch Chimney Extension

CODE: KIT02158 / MODEL: EXXCEK02 (36 inch)  
CODE: KIT02622 / MODEL: EXXCEK07 (42 inch)  
CODE: KIT02164 / MODEL: EXXCEK05 (48 inch)



Optional 12-inch Chimney Extension

CODE: KIT02161 / MODEL: EXXCEK04 (36 inch)  
CODE: KIT02623 / MODEL: EXXCEK08 (42 inch)  
CODE: KIT02165 / MODEL: EXXCEK06 (48 inch)



Optional Stainless Steel Back Splash & Warming Racks

CODE: KIT02163 / MODEL: EXXBSK36 (36 inch)  
CODE: KIT02624 / MODEL: ECLBSK42 (42 inch)  
CODE: KIT02166 / MODEL: ECLBSK48 (48 inch)



Optional Heat Lamp Kit

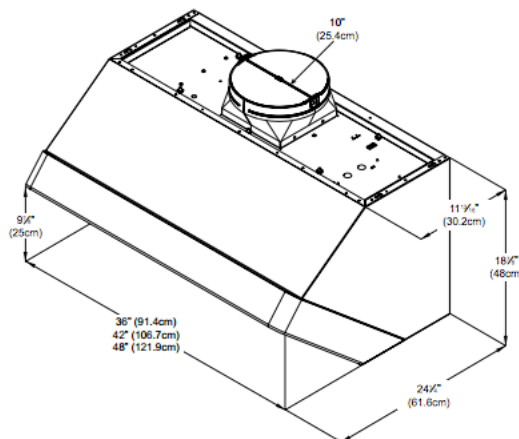
CODE: KIT02746 / MODEL: ECLHLK36 (36 inch)  
CODE: KIT02621 / MODEL: ECLHLK42 (42 inch)  
CODE: KIT02747 / MODEL: ECLHLK48 (48 inch)

## CONSUMABLE PARTS

Replacement Light Bulb (1)  
CODE: 2006DX

Consumable parts are sold in units of one (1). Order accordingly.

## LINE DRAWING



## SPECIAL FEATURES



**Elica HUSH Silence System:** An exclusive sound deadening technology that effectively reduces sound levels by over 35%, compared to typical range hoods.