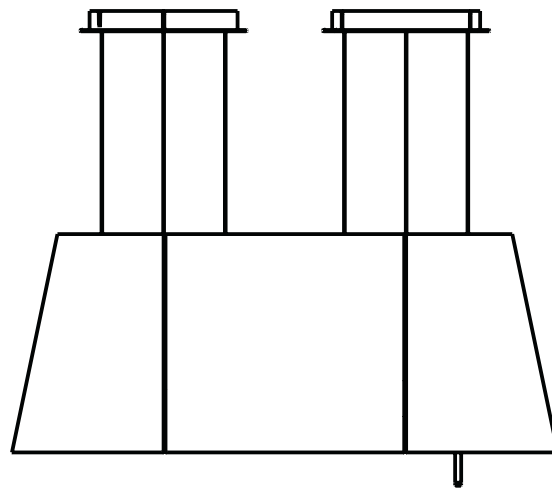


Use, Care, and Installation Guide
Guide d'utilisation, d'entretien et d'installation
Guía de instalación, uso y mantenimiento

Twin

Design Team Elica



READ AND SAVE THESE INSTRUCTIONS
LISEZ CES INSTRUCTIONS ET CONSERVEZ-LES
LEA Y GUARDE ESTAS INSTRUCCIONES

WWW.ELICA.COM

| | | | |
|----------------|------------------|---------------|-----------|
| English | Contents | page | 2 |
| French | Sommaire | page | 17 |
| Spanish | Contenido | página | 32 |

English

Contents

| | |
|---------------------------------------------------------|-----------|
| Important safety Notice | 3 |
| Electrical & Installation requirements | 4 |
| Electrical requirements | 4 |
| Before installing the hood | 4 |
| List of Materials | 5 |
| Parts supplied | 5 |
| Parts not supplied | 5 |
| Dimensions and Clearances | 6 |
| Ducting Options and Examples | 7 |
| Venting methods | 7 |
| Preparation | 7 |
| Installation | 8 |
| Installation - Ductless (Recirculating) version..... | 8 |
| Description of the hood & Controls | 13 |
| Controls..... | 14 |
| Maintenance | 15 |
| Cleaning..... | 15 |
| Grease Filter | 15 |
| Replacing the light bulb..... | 16 |
| Charcoal Filter..... | 16 |

**APPROVED FOR RESIDENTIAL APPLIANCES
FOR RESIDENTIAL USE ONLY
READ AND SAVE THESE INSTRUCTIONS**

PLEASE READ ENTIRE INSTRUCTIONS BEFORE PROCEEDING.

INSTALLATION MUST COMPLY WITH ALL LOCAL CODES.

IMPORTANT: Save these Instructions for the Local Electrical Inspector's use.

INSTALLER: Please leave these Instructions with this unit for the owner.

OWNER: Please retain these instructions for future reference.

Safety Warning: Turn off power circuit at service panel and lock out panel, before wiring this appliance.

Requirement: 120 V AC, 60 Hz. 15 or 20 A Branch Circuit

READ AND SAVE THESE INSTRUCTIONS

Important safety Notice

CAUTION

FOR GENERAL VENTILATING USE ONLY. **DO NOT USE TO EXHAUST HAZARDOUS OR EXPLOSIVE MATERIALS OR VAPOURS.**

WARNING

TO REDUCE THE RISK OF FIRE, ELECTRIC SHOCK, OR INJURY TO PERSONS, OBSERVE THE FOLLOWING:

- A. Use this unit only in the manner intended by the manufacturer. If you have questions, contact the manufacturer.
- B. Before servicing or cleaning the unit, switch power off at service panel and lock service panel disconnecting means to prevent power from being switched on accidentally. When the service disconnecting means cannot be locked, securely fasten a prominent warning device, such as a tag, to the service panel.
- C. Installation Work and Electrical Wiring Must Be Done By Qualified Person(s) In Accordance With All Applicable Codes & Standards, Including Fire-rated Construction.
- D. Sufficient air is needed for proper combustion and exhausting of gases through the flue (Chimney) of fuel burning equipment to prevent back-drafting. Follow the heating equipment manufacturers guideline and safety standards such as those published by the National Fire Protection Association (NFPA), the American Society for Heating, Refrigeration and Air Conditioning Engineers (ASHRAE), and the local code authorities.
- E. When cutting or drilling into wall or ceiling, do not damage electrical wiring and other hidden utilities.
- F. Ducted systems must always be vented to the outdoors.

CAUTION

To reduce risk of fire and to properly exhaust air, be sure to duct air outside - do not vent exhaust air into spaces within walls, ceilings, attics, crawl spaces, or garages.

WARNING

TO REDUCE THE RISK OF FIRE, USE ONLY METAL DUCT WORK.

Install this hood in accordance with all requirements specified.

WARNING

To Reduce The Risk Of Fire Or Electric Shock, Do Not Use This Hood With Any External Solid State Speed Control Device.

WARNING

TO REDUCE THE RISK OF A RANGE TOP GREASE FIRE.

- a) Never leave surface units unattended at high settings. Boilovers cause smoking and greasy spillovers that may ignite. Heat oils slowly on low or medium settings.
- b) Always turn hood ON when cooking at high heat or when flambing food (I.e. Crepes Suzette, Cherries Jubilee, Peppercorn Beef Flambe').
- c) Clean ventilating fans frequently. Grease should not be allowed to accumulate on fan or filter.
- d) Use proper pan size. Always use cookware appropriate for the size of the surface element.

WARNING

TO REDUCE THE RISK OF INJURY TO PERSONS, IN THE EVENT OF A RANGE TOP GREASE FIRE, OBSERVE THE FOLLOWING:

- a) SMOTHER FLAMES with a close-fitting lid, cookie sheet, or other metal tray, then turn off the gas burner or the electric element. BE CAREFUL TO PREVENT BURNS. If the flames do not go out immediately, EVACUATE AND CALL THE FIRE DEPARTMENT.
- b) NEVER PICK UP A FLAMING PAN - you may be burned.
- c) DO NOT USE WATER, including wet dishcloths or towels - a violent steam explosion will result.
- d) Use an extinguisher **ONLY** if:
 - 1) You know you have a class ABC extinguisher, and you already know how to operate it.
 - 2) The fire is small and contained in the area where it started.
 - 3) The fire department is being called.
 - 4) You can fight the fire with your back to an exit.

OPERATION

a. Always leave safety grills and filters in place. Without these components, operating blowers could catch onto hair, fingers and loose clothing.

The manufacturer declines all responsibility in the event of failure to observe the instructions given here for installation, maintenance and suitable use of the product. The manufacturer further declines all responsibility for injury due to negligence and the warranty of the unit automatically expires due to improper maintenance.

Electrical & Installation requirements

Electrical requirements

IMPORTANT

Observe all governing codes and ordinances.

It is the customer's responsibility:

To contact a qualified electrical installer.

To assure that the electrical installation is adequate and in conformance with National Electrical Code, ANSI/NFPA 70 — latest edition*, or CSA Standards C22.1-94, Canadian Electrical Code, Part 1 and C22.2 No.0-M91 - latest edition** and all local codes and ordinances.

If codes permit and a separate ground wire is used, it is recommended that a qualified electrician determine that the ground path is adequate.

Do not ground to a gas pipe.

Check with a qualified electrician if you are not sure range hood is properly grounded.

Do not have a fuse in the neutral or ground circuit.

IMPORTANT

Save Installation Instructions for electrical inspector's use.

The range hood must be connected with copper wire only.

The range hood should be connected directly to the fused disconnect (Or circuit breaker) box through metal electrical conduit.

Wire sizes must conform to the requirements of the National Electrical Code ANSI/NFPA 70 — latest edition*, or CSA Standards C22.1-94, Canadian Electrical Code Part 1 and C22.2 No. 0-M91 - latest edition** and all local codes and ordinances.

A U.L.- or C.S.A.-listed conduit connector must be provided at each end of the power supply conduit (at the range hood and at the junction box).

Copies of the standards listed may be obtained from:

* National Fire Protection Association Batterymarch Park Quincy, Massachusetts 02269

** CSA International 8501 East Pleasant Valley Road Cleveland, Ohio 44131-5575

Before installing the hood

1. For the most efficient air flow exhaust, use a straight run or as few elbows as possible.
CAUTION: Vent unit to outside of building, only.
2. At least two people are necessary for installation. Wear gloves to protect against sharp edges.
3. Fittings material is provided to secure the hood to most types of walls/ceilings, consult a Qualified Installer, check if they perfectly fit with your cabinet/wall.
4. COLD WEATHER installations should have an additional backdraft damper installed to minimize backward cold air flow and a nonmetallic thermal break to minimize conduction of outside temperatures as part of the ductwork. The damper should be on the cold air side of the thermal break.
The break should be as close as possible to where the ducting enters the heated portion of the house.
5. Make up air: Local building codes may require the use of Make-Up Air Systems when using Ducted Ventilation Systems greater than specified CFM of air movement. The specified CFM varies from locale to locale. Consult your HVAC professional for specific requirements in your area.

List of Materials

Parts supplied

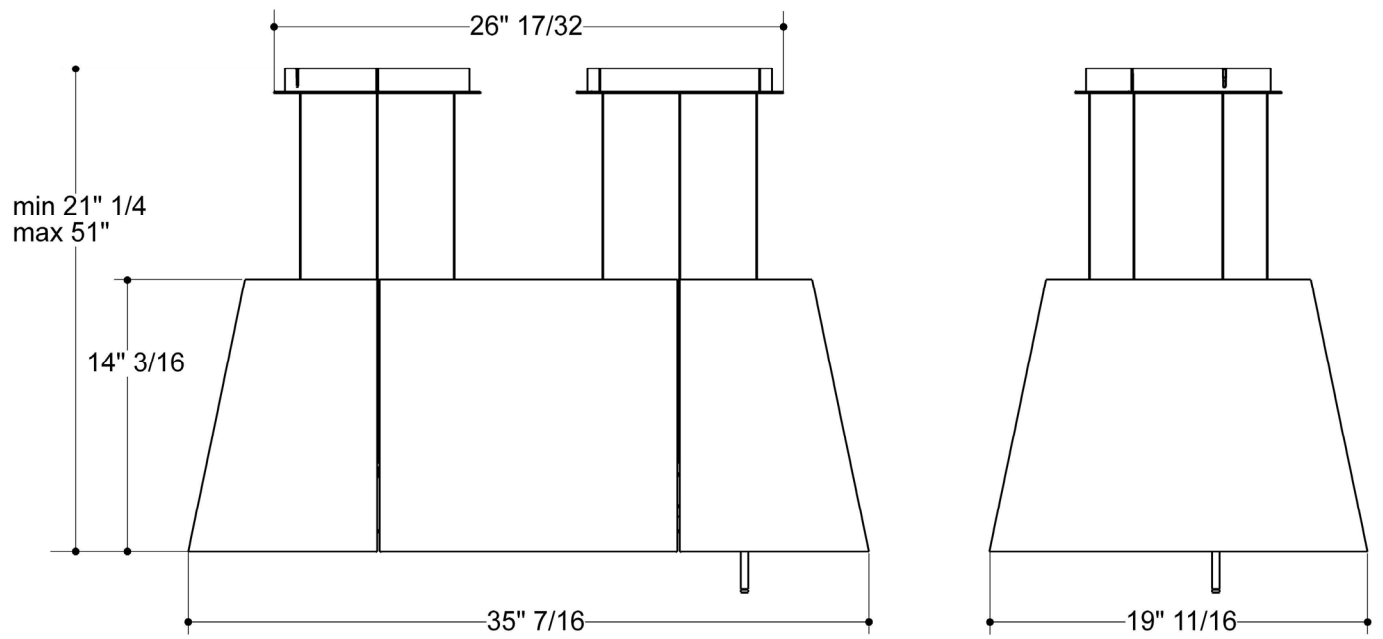
- Blower unit housing x 2
- Aesthetic cover x 1
- Glass x 1
- Stainless steel mesh filter x 2
- Halogen light bulb x 2

- Hardware Packet:
 - Support bracket with cables and hooking brackets x 2
 - Cover x 2
 - Template
 - Use, Care and Installation Guide
 - Torx adapter T10 x 1
 - Torx adapter T20 x 1
 - 5x45 screws x 6 (To attach support bracket to ceiling)
 - 3,5x6,5 screws x 8 (2 To attach j-box to support bracket,
6 for fixing hood to supporto bracket)
 - Knob x 6 (For fixing the glass)
 - Crescent-shaped washers x 6 (For fixing the glass)
 - Control lever

Parts not supplied

- Conduit and all tools required for installation.

Dimensions and Clearances



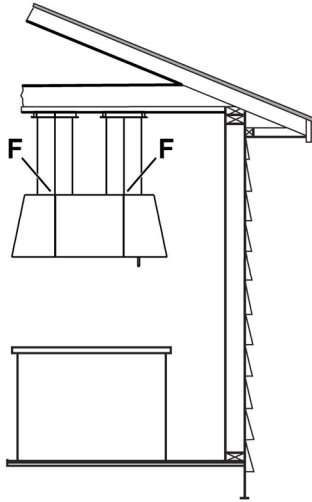
Ducting Options and Examples

Closely follow the instructions set out in this manual.

All responsibility, for any eventual inconveniences, damages or fires caused by not complying with the instructions in this manual, is declined.

Venting methods

The hood is supplied in the **Ductless (Recirculating) version** and is used without an extracted fumes discharger conduit. Fumes and steam are recycled through the **F** deflector.



Ductless (Recirculating) version

Preparation

Do not cut a joist or stud unless absolutely necessary. If a joist or stud must be cut, then a supporting frame must be constructed.

Fittings material is provided to secure the hood to most types of walls/ceilings.

However, a qualified technician must verify suitability of the materials in accordance with the type of wall/ceiling.

Before making cutouts, make sure there is proper clearance within the ceiling or wall for exhaust vent.

Hood installation height above cooktop is the users preference. The lower the hood is above the cooktop, the more efficient the capturing of cooking odors, grease and smoke.

CAUTION: FOR GAS RANGES INSTALLATION: MOUNT THIS HOOD SO THAT THE BOTTOM EDGE IS AT 30" (76,2 CM) ABOVE THE COOKING SURFACE.

FOR ELECTRIC RANGES INSTALLATION: MOUNT THIS HOOD SO THAT THE BOTTOM EDGE IS NOT LESS THAN 24" (61 CM) AND NOT MORE THAT 30" (76,2 CM) ABOVE THE COOKING SURFACE.

HOUSEHOLD USE. PLEASE, READ INSTALLATION MANUAL FOR SPECIFIC APPLICATION.

Check your ceiling height and the hood height maximum before you select your hood.

Installation

Installation - Ductless (Recirculating) version

1. Pre-installation calculations

C = Counter Height (36" standard)

H = Preferred Height of Hood
Bottom above counter

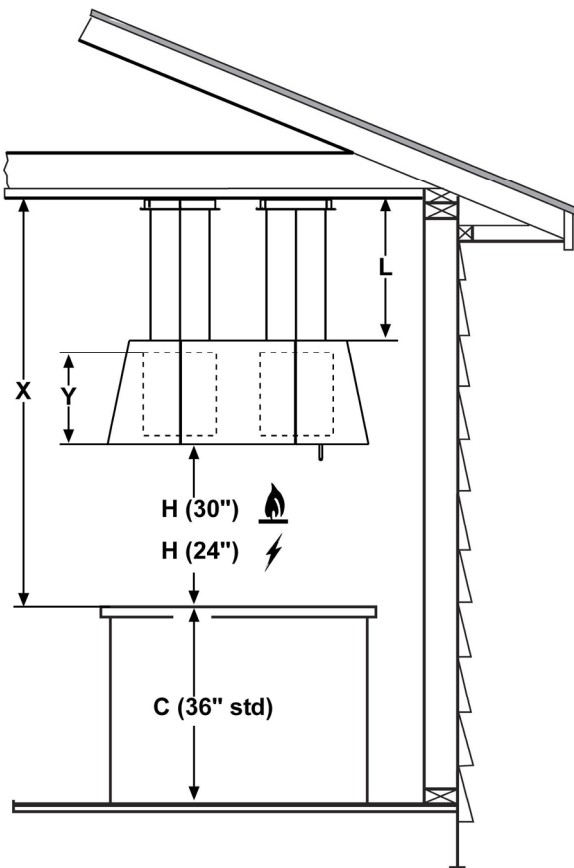
L = Chimney Structure Height, your installation.

$$L = X - Y - H + 1 \frac{3}{16}$$

a) Select a hood preference height **H** that is comfortable for the user.

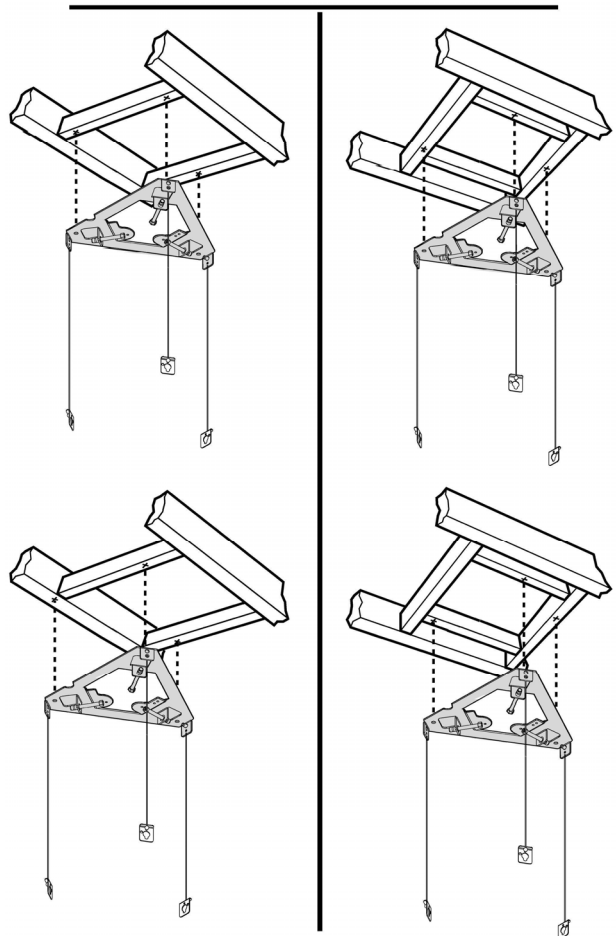
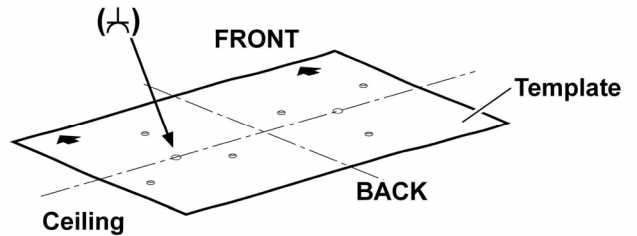
b) Calculate Hood height your installation $L = X - Y - H + 1 \frac{3}{16}$.

c) Confirm that **H** is within the range of min to max **H** found for your model (See "Dimensions and clearances" paragraph). If not adjust your installation.



2. Preparation of mounting surface

Installing supports above ceiling drywall.

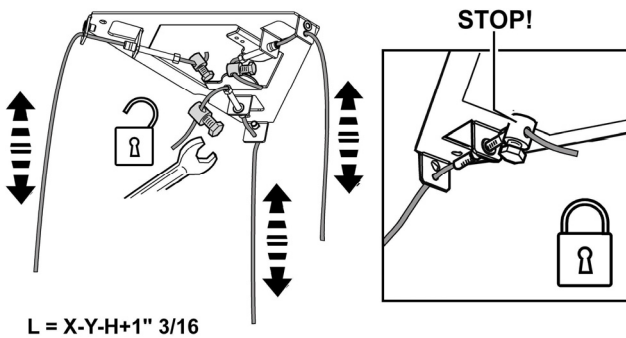


Note: Take into consideration the hood depth; the hood could be much deeper than the cooktop.

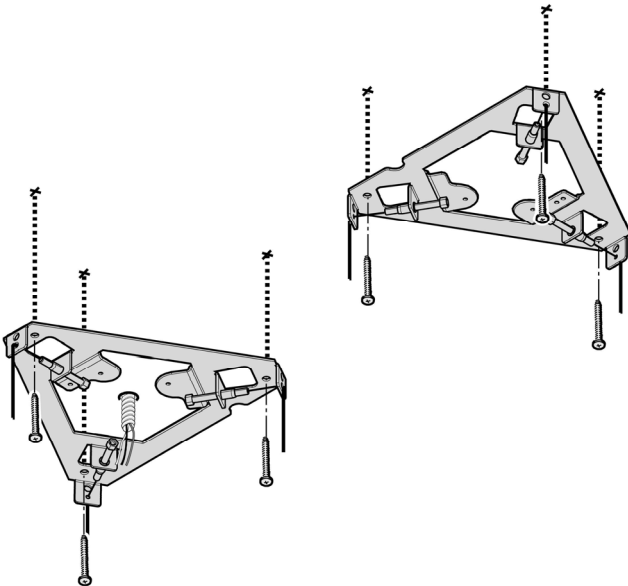
- Mark center lines of cooktop or range on ceiling above. Use centerlines marked on ceiling to position the mounting template.
Note location of hood front (that indicated with a printed arrow), side, and mounting holes indicated on template.
Note: Remember that printed arrow on template corresponds to front of the hood and consequently to side where control panels will be located at the end of installation)
- Remove and save template. Cut and remove ceiling drywall. Install suitable length 2" x 4" lumber between joists to provide support bracket mounting points as shown above. Use template for dimensions and required clearance.

Make sure to affix the added lumber firmly and level. Consult a professional if you have difficulties or your installation is unique. Consult template and Figs. above.

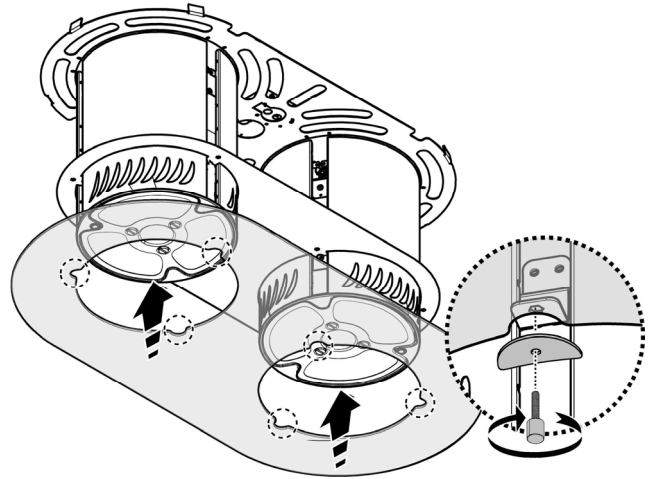
- c. Install drywall; then refinish ceiling. Determine the required position for the conduit and cut a 1-1/4" (3.2 cm) hole at this location. Run wires through hole according the National Electrical Code or CSA Standards and local codes and ordinances.
 - d. Tape Template in place and mount the support bracket with wood screws (Supplied in mounting hardware kit) on locations marked on template, then remove template.
3. Prepare the support bracket, suitably adjusting the length of the cables according to the following formula:
 $L = X - Y - H + 1" \frac{3}{16}$
 L = truss extension
 X = distance between the ceiling and the bottom edge of the hood
 After finding the right length, secure the cables, tightening the lock nuts with a spanner.



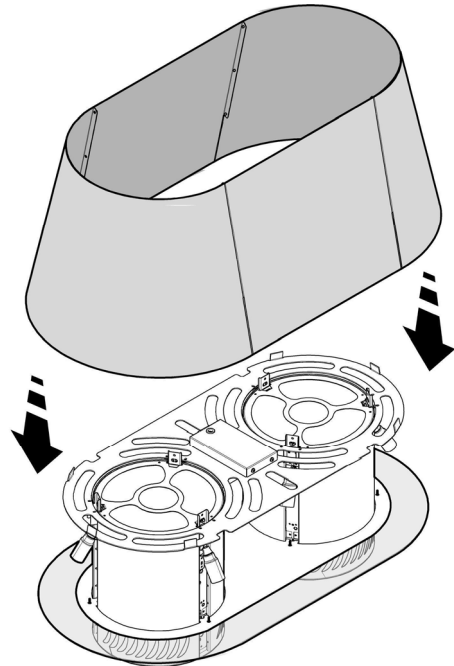
- 4. Apply the support brackets on the ceiling, passing the cables for the electrical connection through the middle hole. Fix with 6 wood screws.



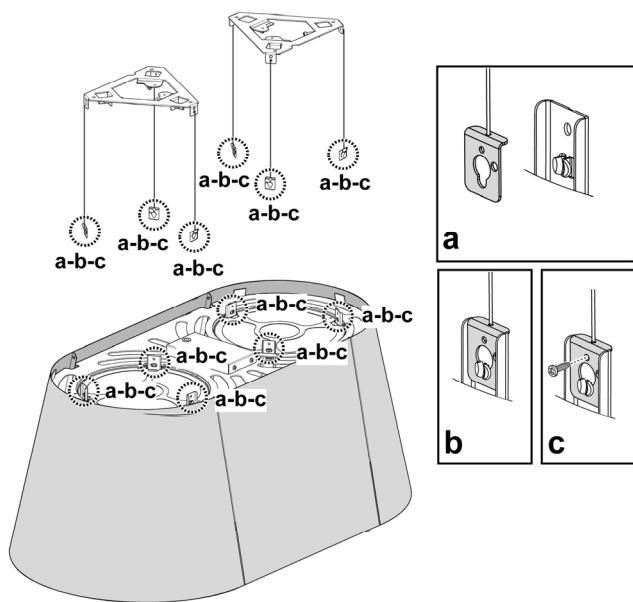
- 5. Fix the lighting unit to the hood with 6 screws and crescent-shaped washers. **Note:** The inside rim of the lighting unit has chamfers which must match the fixing places.



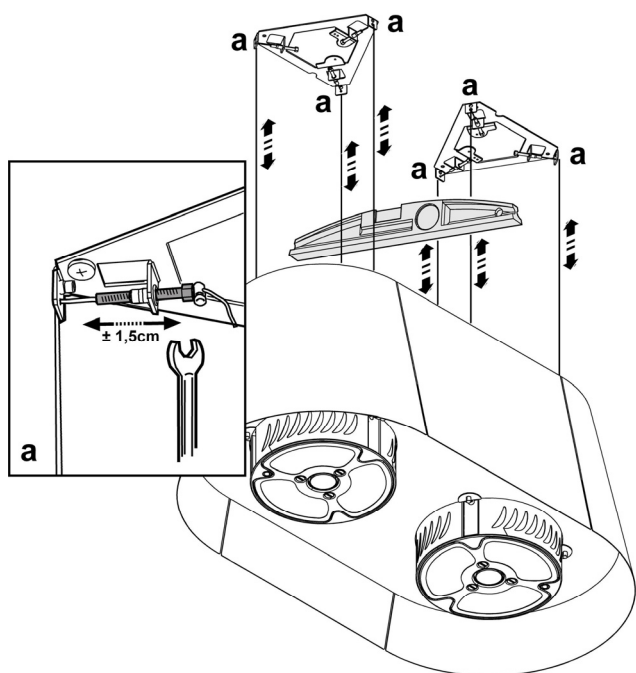
- 6. Apply the aesthetic cap to cover the hood, passing the interconnection electrical cable inside. **Important:** Make sure the interconnection cable does not touch the lamps.



7. Fix the hood to the hooking brackets and secure with 1 screw for each bracket (COMPULSORY FIXING).



8. Adjust the position of the hood by means of the adjustment screws.



9. **Electrical connection**

WARNING

Electrical Shock Hazard

Warning: Turn off power circuit at the service panel before wiring this unit.

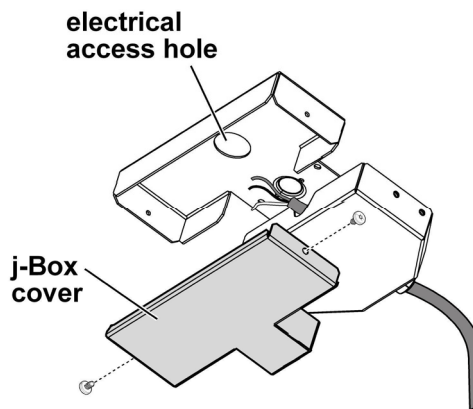
120 VAC, 15 or 20 Amp circuit required.

ELECTRICAL GROUNDING INSTRUCTIONS

THIS APPLIANCE IS FITTED WITH AN ELECTRICAL JUNCTION BOX WITH 3 WIRES, ONE OF WHICH (GREEN/YELLOW) SERVES TO GROUND THE APPLIANCE. TO PROTECT YOU AGAINST ELECTRIC SHOCK, THE GREEN AND YELLOW WIRE MUST BE CONNECTED TO THE GROUNDING WIRE IN YOUR HOME ELECTRICAL SYSTEM, AND IT MUST UNDER NO CIRCUMSTANCES BE CUT OR REMOVED.

Failure to do so can result in death or electrical shock.

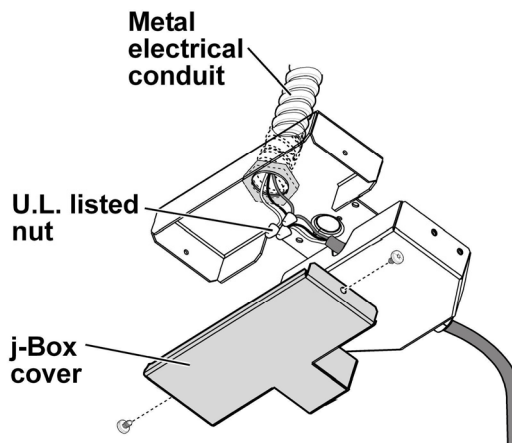
Remove the Junction box cover and install the conduit connector (cULus listed) in junction box.



10. Run 3 wires; black, white and green, according to the National Electrical Code and local codes and ordinances, in 1/2" conduit from service panel to junction box.

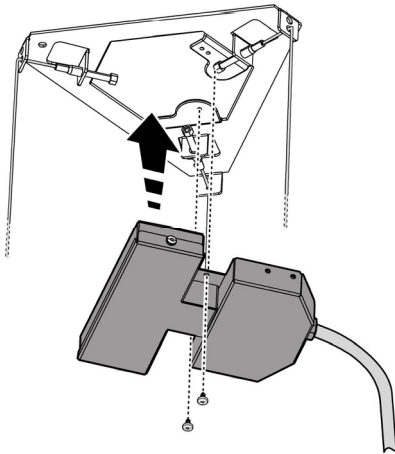
11. Connect black wire from service panel to black or red in junction box, white to white and green to green-yellow.

Close and secure junction box cover.

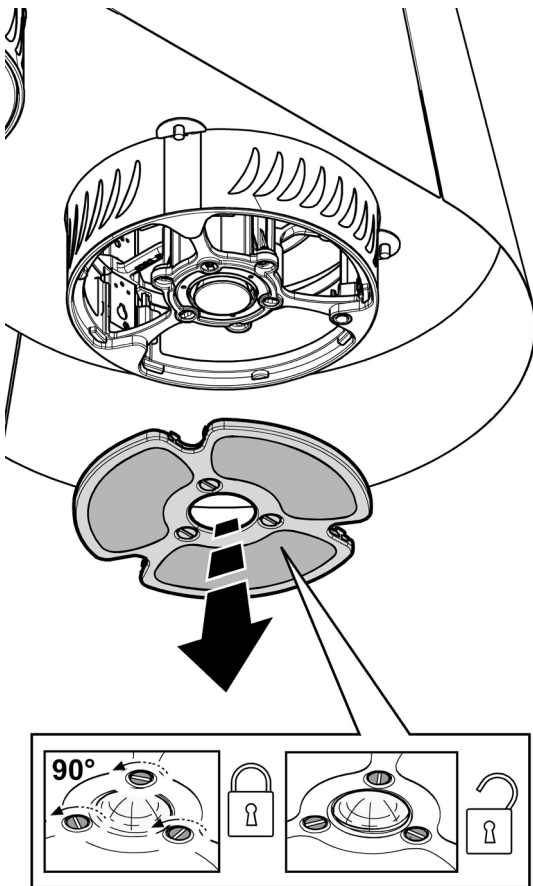


12. Fix the junction box to the support bracket on the ceiling with 2 screws.

Important! Replacement of the interconnection cable must be carried out by the authorised after-sales technical service.

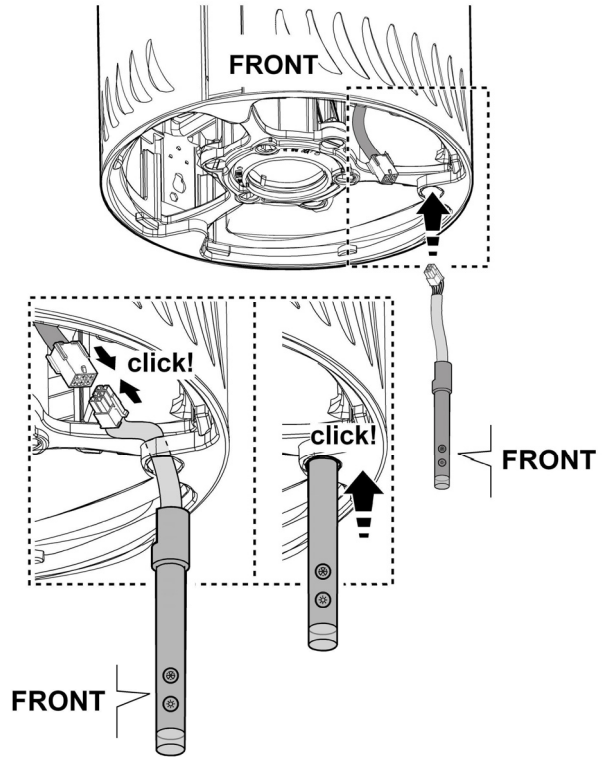


13. Remove the grease filter.
For unlocking, rotate the 3 fixing pins by 90°.

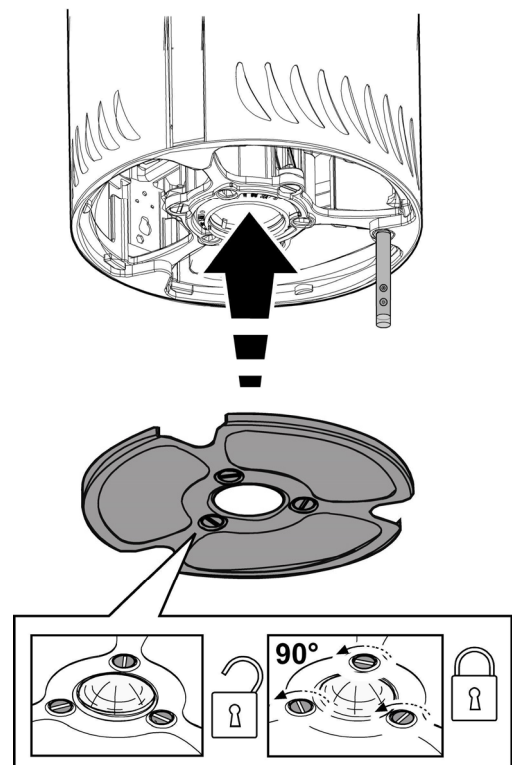


14. Fit the control shaft in the correct position by pushing it upwards.

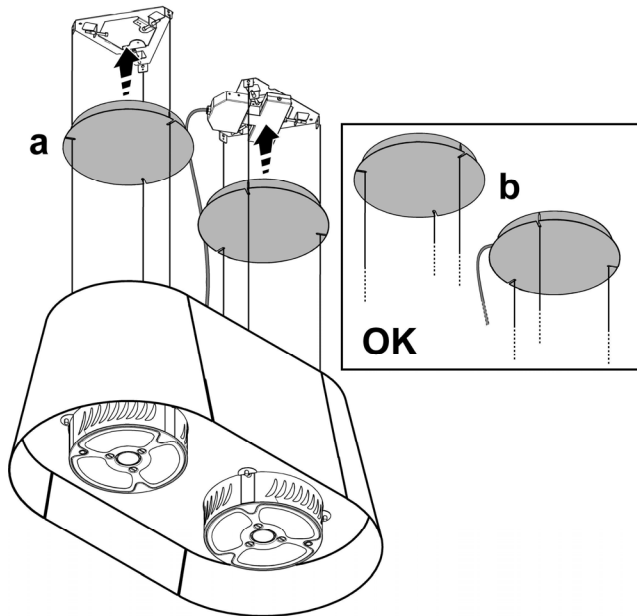
Connect the electricity.



15. Insert the grease filter.
For locking, rotate the 3 fixing pins by 90°.



- 16.** Insert the cover between the support cables, making sure they enter the special slots on the cover.
Important! Leave enough cable so that it passes easily through the slot obtained in the cover.
Secure the cover with 3 grub screws already screwed on the support bracket.
Note: The 3 fixing screws secure the cover by virtue of the friction they exert on the cover itself, and therefore must not be completely tightened.



- 17.** Check all light bulbs to make sure they are secure in their sockets.
Turn power (On) in service panel.
Check lights and blower operation.

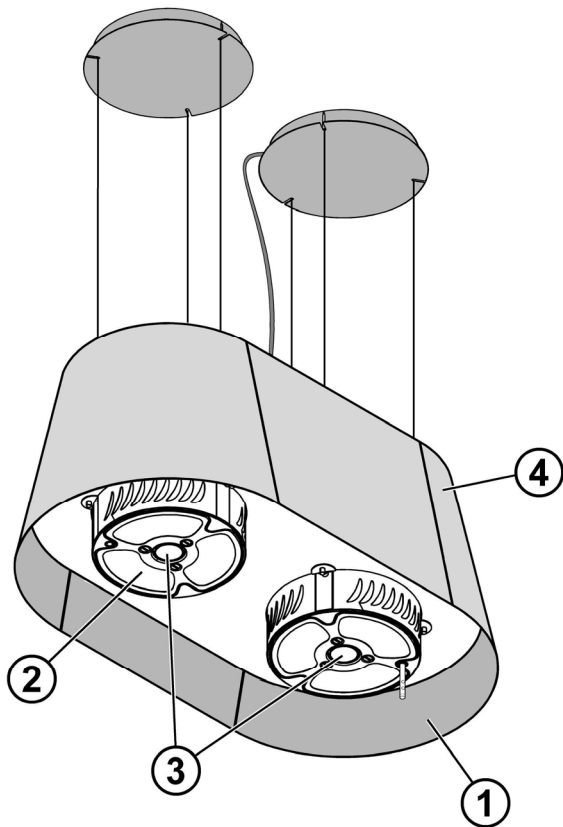
If range hood does not operate:

- Check that the circuit breaker is not tripped or the house fuse blown.
- Disconnect power supply. Check that wiring is correct.

To get the most efficient use from your new range hood, read the “Use and Care Information” section.

Keep your Installation Instructions and Use and Care Guide close to range hood for easy reference.

Description of the hood & Controls



- 1 Control panel
- 2 Grease filter
- 3 Halogen lamp
- 4 Aesthetic cover

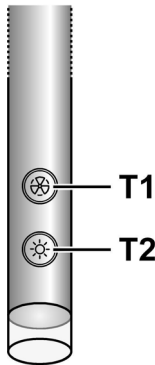
Controls

Use the high suction speed in cases of concentrated kitchen vapours. It is recommended that the cooker hood suction is switched on for 5 minutes prior to cooking and to leave in operation during cooking and for another 15 minutes approximately after terminating cooking.

Description of control panel

The hood is equipped with a “TOUCH” device to control the lights and speed.

For the correct use please carefully read the instructions below.



Automatic start-up function

The hood is equipped with a temperature sensor which activates the motor to the first suction speed (power) in the event that the room temperature in the surrounding area is higher than 70°C.

The user may switch off or modify the suction speed (power) (see paragraph “suction speed (power) control”).

Suction speed (power) control

The suction speed (power) is cyclical depending on the speed sequence “stand-by – 1-2-3-4- Stand by -1-2-...” therefore every time the T1 button is pressed on the control panel, the suction speed (power) is increased by one level, in order to switch off (stand-by) if the button is pressed again when the hood is in suction speed (power) 4.

The hood may be switched off (stand-by) while the hood is set on any speed by holding down the T1 button on the control panel for a bit longer (more than 3 seconds).

The hood's suction speed (power) may be determined as the control panel is equipped with a LED light that changes colors as follows, depending on the suction speed (power):

Hood in stand-by: LED LIGHT SWITCHED OFF

1st suction speed (power) -GREEN LED LIGHT

2nd suction speed (power) – ORANGE LED LIGHT (amber)

3rd suction speed (power) - RED LED LIGHT

4th suction speed (power) - RED LED LIGHT (FLASHING)

Note: The 4th suction speed (power) stays on for 5 minutes, after which the suction motor will position itself on the 2nd speed.

If pressed again, the suction motor will switch off (stand-by).

Grease filters need cleaning: FLASHING GREEN LED light (read instructions found under “Reset and configuration for filter saturation signal”)

Coal filters must be cleaned or replaced: FLASHING ORANGE (amber) LED light (read instructions found under “Reset and configuration for filter saturation signal”)

Note: The reset procedure may be activated by both the control panel and the remote control.

Center light check

The center light may be switched on and off by pressing the T2 button on the control panel.

Side light check (when scheduled)

The side lights may be switched on and off by pressing AND HOLDING DOWN the T2 button on the control panel.

Reset and configuration for filter saturation signal

Switch on hood to any speed (see above paragraph “Suction speed (power) selection”)

Reset grease filter saturation signal (FLASHING GREEN LIGHT on control panel)

First proceed with filter maintenance as described in corresponding paragraph.

Press and hold down (for more than 3 seconds) the T1 button on the control panel, the LED light will stop flashing indicating that the signal reset has been carried out, the hood will switch off.

Reset coal filter saturation signal (FLASHING ORANGE (amber) LED light)

First proceed with filter maintenance as described in corresponding paragraph.

Press and hold down (for more than 3 seconds) the T1 button on the control panel, the LED light will stop flashing indicating that the signal reset has been carried out, the hood will switch off.

Coal filter saturation signal disactivation (for particular applications)

Switch off hood (see above paragraph “suction speed (power) selection”).

Press and hold down (for more than 5 seconds) the T1 button on the control panel, the LED light will start flashing GREEN indicating that the coal filter saturation signal has been deactivated.

In order to reactivate the coal filter saturation signal, repeat operation, the LED light will flash ORANGE (amber)

Maintenance

ATTENTION! Before performing any maintenance operation, isolate the hood from the electrical supply by switching off at the connector and removing the connector fuse.

Or if the appliance has been connected through a plug and socket, then the plug must be removed from the socket.

Cleaning

The cooker hood should be cleaned regularly (at least with the same frequency with which you carry out maintenance of the fat filters) internally and externally. Clean using the cloth dampened with neutral liquid detergent. Do not use abrasive products. **DO NOT USE ALCOHOL!**

WARNING: Failure to carry out the basic cleaning recommendations of the cooker hood and replacement of the filters may cause fire risks.

Therefore, we recommend observing these instructions.

The manufacturer declines all responsibility for any damage to the motor or any fire damage linked to inappropriate maintenance or failure to observe the above safety recommendations.

Grease Filter

Traps cooking grease particles.

This must be cleaned once a month using non aggressive detergents, either by hand or in the dishwasher, which must be set to a low temperature and a short cycle. When washed in a dishwasher, the grease filter may discolour slightly, but this does not affect its filtering capacity.

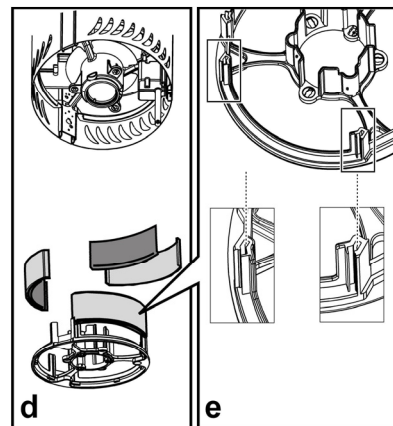
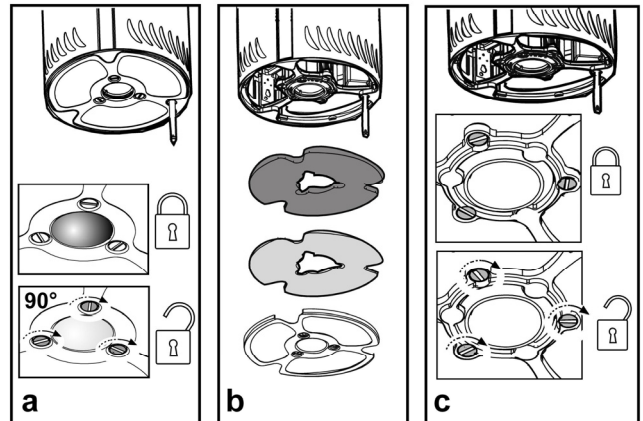
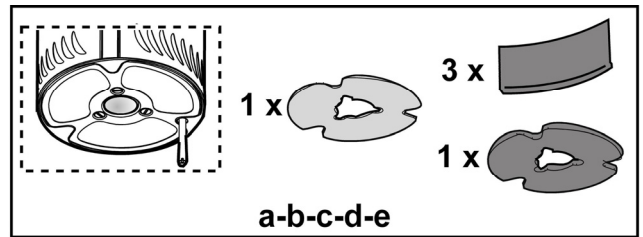
The metal grease filter and the carbon filter are installed coupled at the bottom (extraction area).

To remove or refit them, proceed as follows:

a+c. turn the three screws 1/4 turn.

b+d+e. remove the filter holder frame and the metal grease filter (and the carbon filter).

Proceed in reverse order to refit.



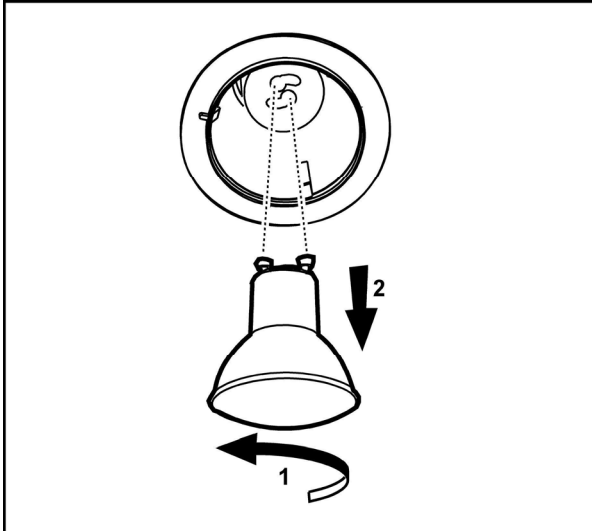
Replacing the light bulb

Disconnect the hood from the electricity.

Warning! Prior to touching the light bulbs ensure they are cooled down.

Replace Lights

- Remove the damaged light (twist counter clockwise) and replace with a new 120 Volt, 50 Watt (maximum) 50° halogen light made for a GU10 base, **suitable for use in open luminarie.**



Some models envisage lateral lamps:

Replace them with identical forms of 40W (E12) max).

Remove cover to access the lamp housing.

If the lights do not work, make sure that the lamps are fitted properly into their housings before you call for technical assistance.

Charcoal Filter

It absorbs unpleasant odours caused by cooking.

The charcoal filter can be washed once every two months using hot water and a suitable detergent, or in a dishwasher at 65°C (if the dishwasher is used, select the full cycle function and leave dishes out).

Eliminate excess water without damaging the filter, then remove the mattress located inside the plastic frame and put it in the oven for 10 minutes at 100° C to dry completely. Replace the mattress every 3 years and when the cloth is damaged.