

Jewel

Integrated Collection

A hidden Jewel in your kitchen for total integration

- upper cabinet tiltout rangehood
- accepts a custom face plate
- closes flush with cabinets
- replaces 18" upper cabinet
- 600 cfm PRO motor
- 2 halogen lights
- 3 speed control
- dishwasher safe grease filters
- convertible to ductless *
- top venting
- easy mounting system
- sone range: 3.5 - 6.5
- 6" duct

* it is highly recommended that professional style cooking always be vented to the outside.



FABER



Size Color	Model #
24 / 30 Integrated	630006506
36 Integrated	630006507

For a seamless look in the kitchen, the Jewel is your integrated solution. The Jewel tilts in, flush with your cabinets, neatly tucking the hood away. You supply your own custom cabinet face to integrate the Jewel in with your other cabinets. **A hidden Jewel in your kitchen!**

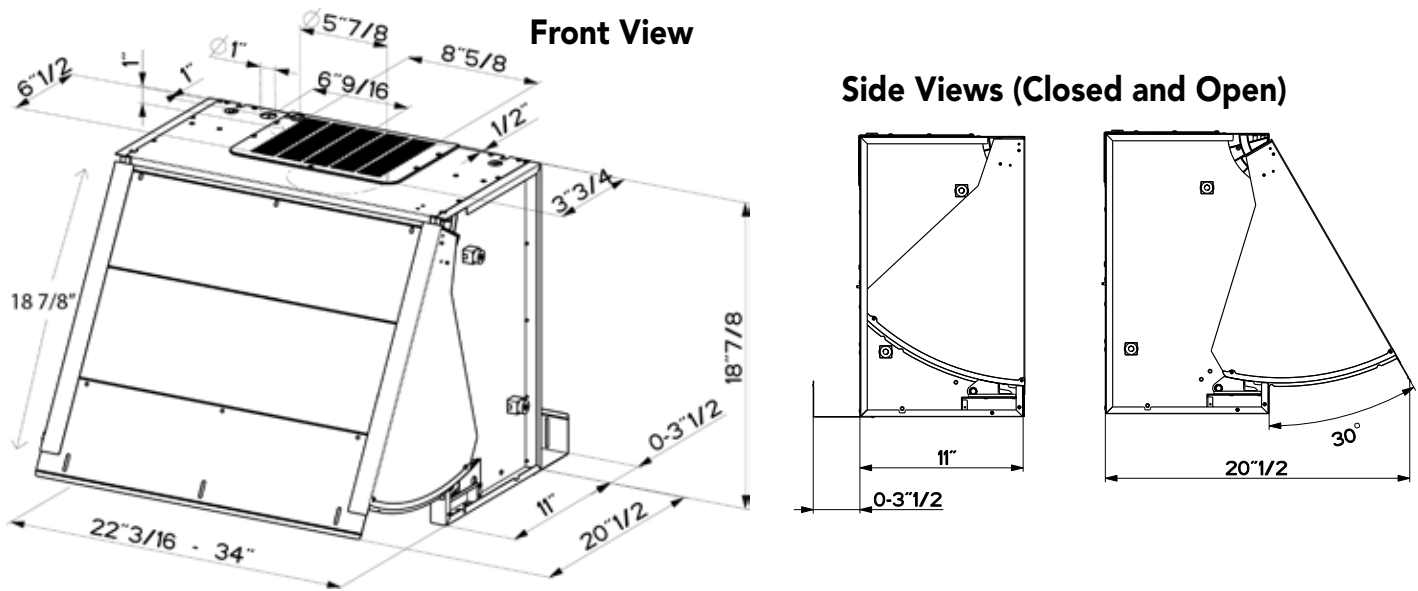
Charcoal Filters FILTER1

For ductless installations, high quality, heavy duty filters ensure the removal of smoke and odors from the kitchen.

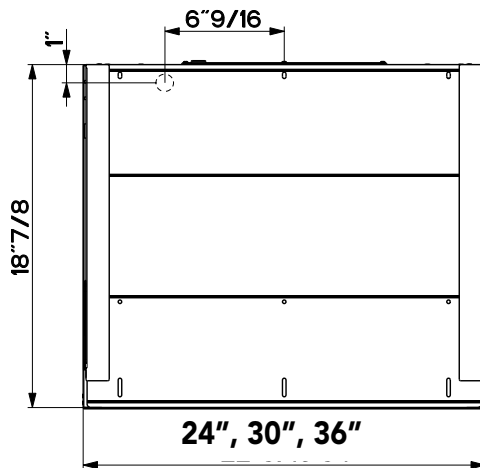


The Jewel comes with an unfinished metal front which you can attach to your custom cabinet face. This 18" tall rangehood replaces your upper cabinet, and when tilted out, extends 9.5", for a total depth of 20.5" from front to back, providing adequate coverage for most cooktops.

Dimensional Diagram



Custom Front Panel Dimensions - for integrating the Jewel into your existing cabinetry



If you need a 30" wide cabinet, you would purchase the 24" Jewel and have a cabinet shop make a 30" wide by 18 7/8" high panel. Or your cabinet maker can fabricate 2 - (3") wide filler strips for either side of the 24" Jewel. For a 24" wide cabinet, make a 24" wide by 18 7/8" tall panel. For a 36" wide cabinet, make a 36" wide by 18 7/8" tall panel.

Pre-Planning Your Installation - Important: Consult the installation instructions before you begin installing this rangehood. The recommended height to install this hood off the cooktop is a minimum of 30" for maximum effectiveness. Also consult the cooktop manufacturer's recommendation.

Pre-Planning Your Ductwork - Important: Consult the installation instructions before you begin installing this rangehood.

Make your ductrun as straight and short as possible. The ductrun should not exceed 35 equivalent feet if ducted with 6" round duct. Count 45° angles as 3 feet, 90° elbows as 5 feet, and 90° flat elbows as 12 feet.

For best results, use no more than three 90° elbows. Make sure that there is a minimum of 24" of straight duct between elbows if more than one is used. Do not install two elbows together. If you must elbow right away, do it as far away from the hood's exhaust opening as possible.

NOTE: If you are ducting the Jewel to the outside of your house and your cabinetry does not extend to the ceiling of your kitchen, you may want to conceal the metal ductwork that extends above the rangehood with additional wood paneling to match cabinetry.

Ductless Installations

For installations where ductwork is impossible or highly impractical **Charcoal Filters**, which attach to the blower assembly, absorb smoke and odors.

The air returns back into your kitchen (**see right**) from the top of the hood thru a vent grate, if you have cabinetry or a cabinet front or soffit extending from the hood to the ceiling, air must be allowed to escape back into the room.

WARNING! Product specifications are subject to change without notification. Consult the installation instructions before you begin installing this rangehood.

