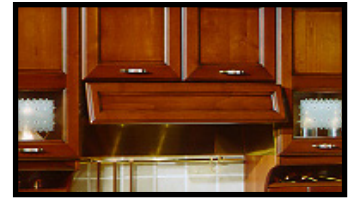


Agio Tilt Out Range Hood

stylish & space-saving alternative to the microwave hood



ON AIR. SINCE 1955



The glass front can be replaced with a standard drawer front to integrate into cabinetry



When using ductless or direct rear venting, the Agio takes up no space in the cabinet

For a seamless look in the kitchen, the Agio is your integrated under-cabinet solution. With a black or white glass front that pairs well with ceran cooktops, the Agio tilts in, flush with your cabinets, neatly tucking the hood away. For total integration, the glass front can be replaced with material to match your cabinets, hiding the hood completely.

Model #	Size Color	Performance Range	Sound Levels
AGIO24WH	24 White Glass	75 - 230 CFM	2.0 - 4.0 sones
AGIO24BK	24 Black Glass	75 - 230 CFM	2.0 - 4.0 sones
AGIO30WH	30 White Glass	75 - 230 CFM	2.0 - 4.0 sones
AGIO30BK	30 Black Glass	75 - 230 CFM	2.0 - 4.0 sones
AGIO36WH	36 White Glass	75 - 230 CFM	2.0 - 4.0 sones
AGIO36BK	36 Black Glass	75 - 230 CFM	2.0 - 4.0 sones



Feature Chart

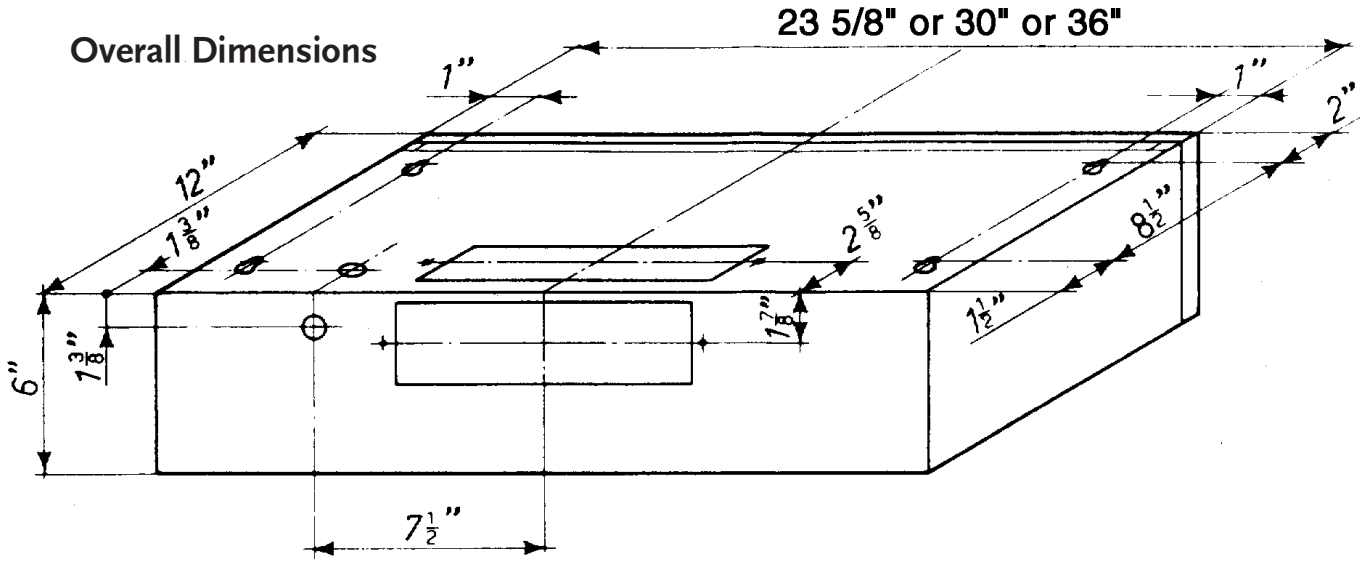
Product Depth / Height	12" D / 6"H
Convertible to Recirculating	Yes - charcoal kit needed, no extra ductwork required
Controls	3 Speed Slider
Lighting	1 X 15 (W) Fluorescent
Ducting Top	3 1/4" x 10" Rectangle
Ducting Direct Rear Vent	3 1/4" x 10" Rectangle
Grease Filters	dishwasher safe mesh
Auto On / Off	Yes - fan / lights turn on when pulled out
Integrate front panel	Yes - Use your own custom wood front
AC Input	120 V - 60 hz
AC Power	Max 150 W at 2.0 A
Green Energy Saver Mode	Yes
Annual Electricity Costs	\$2.49 / Year *

* Note – ran 30 minutes a day on low speed with the lights on, 365 days, using the North American average of 12.2 cents per kWh.

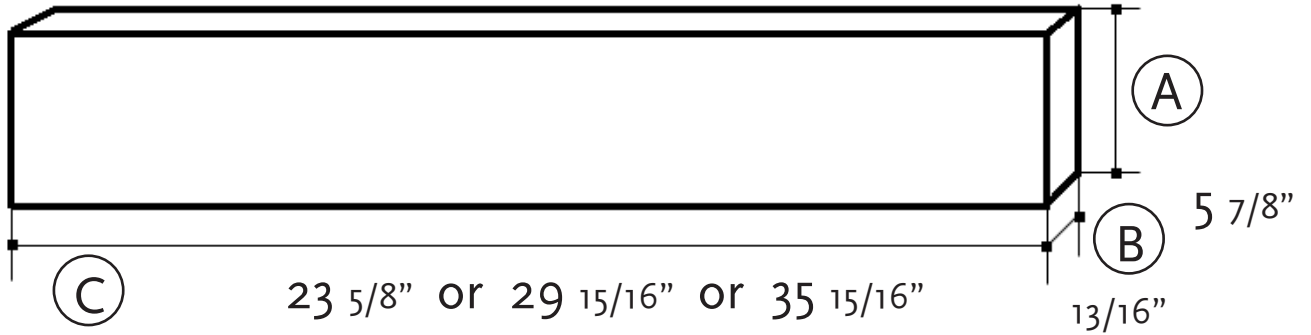
p.o. box 435 • Wayland, MA 01778 • tel: (508) 358-5353 • fax: (508) 358-5730 • e-mail: info@faberonline.com • www.faberonline.com

Dimensional Diagrams

(see installation instructions for more information)

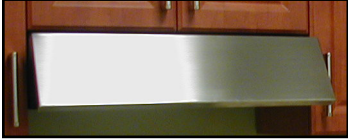



Custom Front Panel Dimensions - for replacing the entire front panel *



* If you wish to keep the frame of the front panel and only replace the glass panel, the dimensions are as follows:
 A=5 11/16", B=1/8", C= 23 6/16" (for 24" model) or 29 11/16" (for 30" model) or 35 11/16" (for 36" model).
 The glass panel is 1/8" thick, but the frame is adjustable to accommodate a thinner panel like stainless steel.

ACCESSORIES

	<u>Size</u>	<u>Model #</u>	
Stainless Front Kits To replace the black or white glass front with a stainless steel panel	24 SS	# 6000024	
	30 SS	# 6000030	
	36 SS	# 6000036	
Charcoal Filters For ductless installations, high quality, heavy duty filters ensure the removal of smoke and odors from the kitchen.	# FILTER3		



WARNING! Product specifications are subject to change without notification. Consult the installation instructions before you begin installing this range hood.