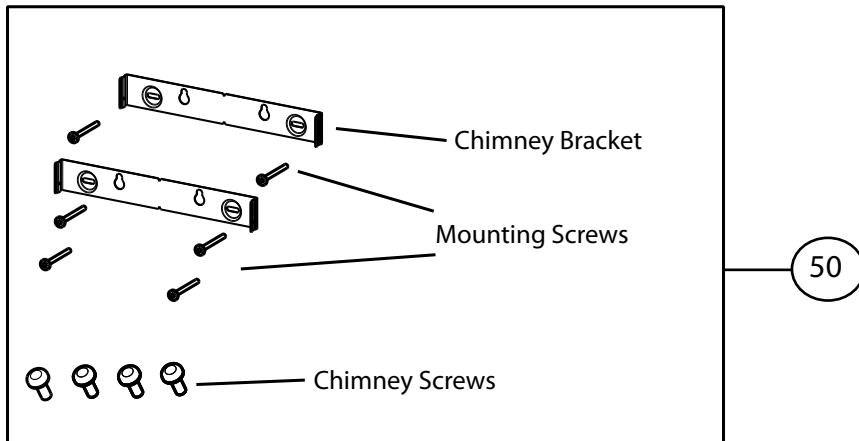
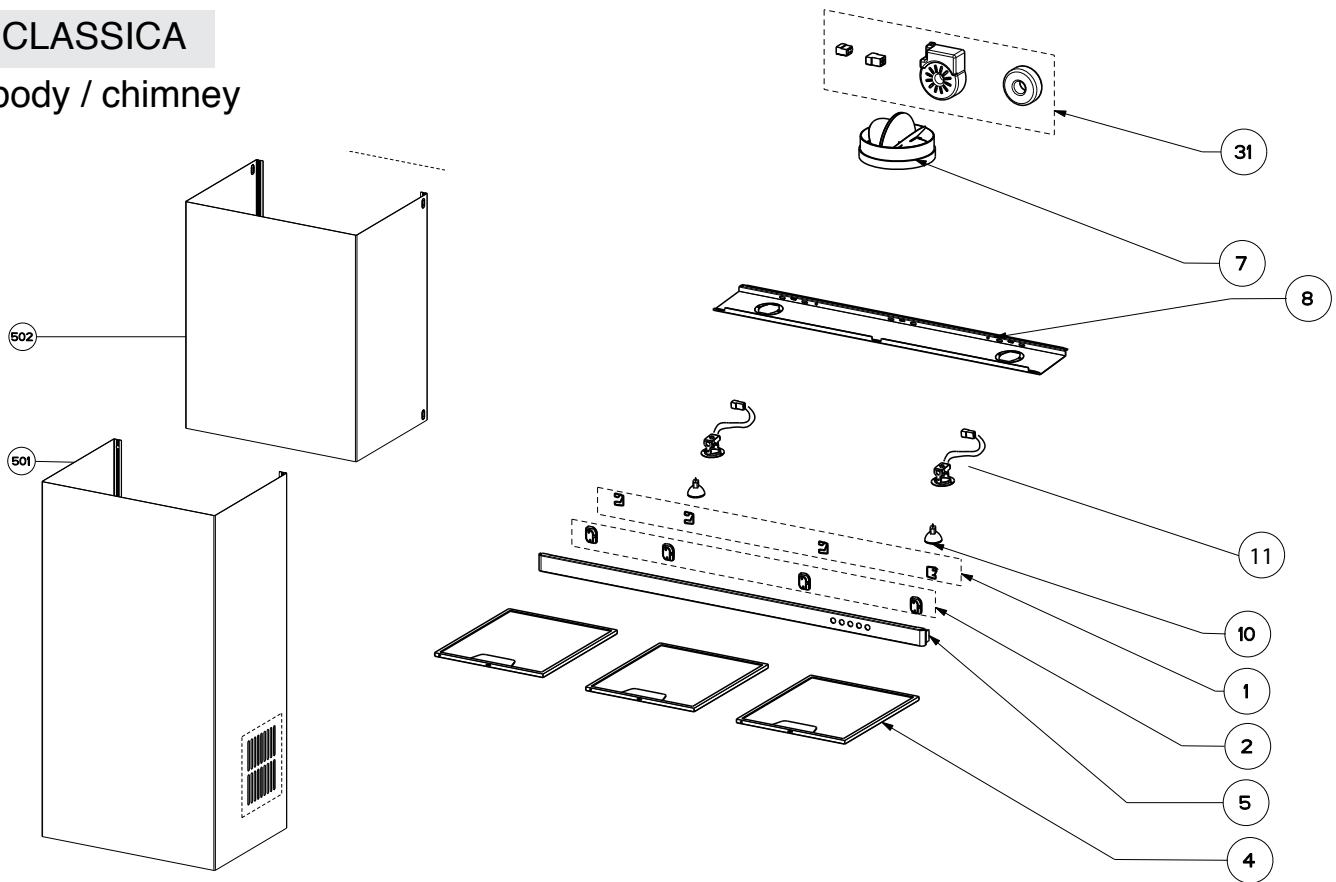


# CLASSICA

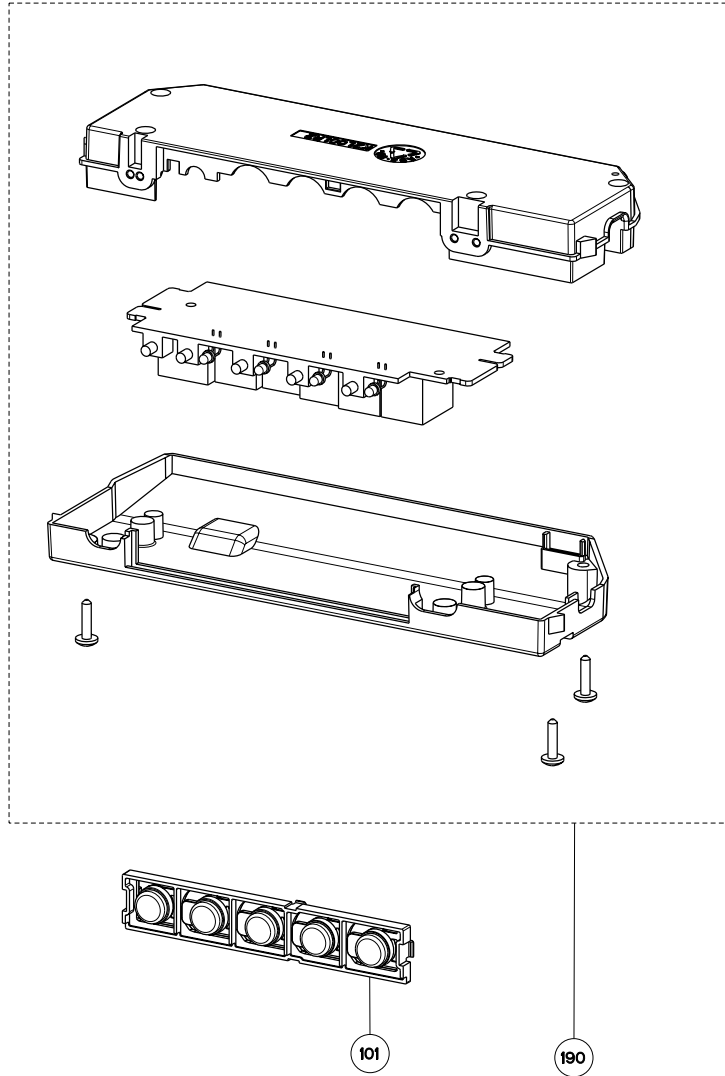
## body / chimney



	Model Number	CLAS30SS	CLAS36SS	
Key	Description	30	36	Qty Req.
1	Front Panel Spring Kit	133.0056.198	133.0056.198	1
2	Front Panel Bracket Kit	133.0056.287	133.0056.287	1
4	Grease Filters	133.0071.330	133.0071.330	30 = 2, 36 = 3
5	Front Panel	133.0178.242	133.0178.243	1
7	Damper	133.0055.994	133.0055.994	1
8	Light Support	133.0057.004	133.0057.005	1
10	Halogen Lamps	133.0046.418	133.0046.418	2
11	Light Housing	133.0052.517	133.0052.517	2
31	Transformer Kit	133.0052.516	133.0052.516	1
501	Lower Chimney	133.0018.700	133.0018.700	1
502	Upper Chimney	133.0018.359	133.0018.359	1
50	Installation Hardware	133.0189.738	133.0189.738	1

# CLASSICA

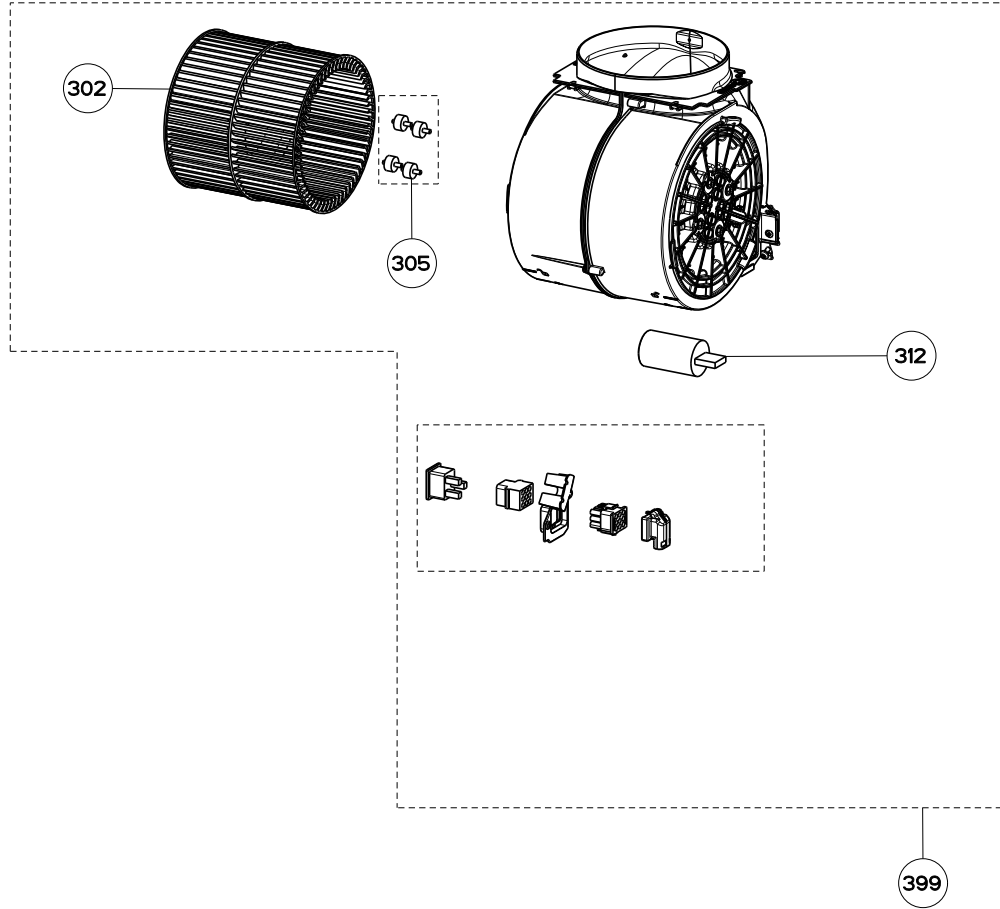
## switch components



	Model Number	CLAS30SS	CLAS36SS	
<b>Key</b>	<b>Description</b>	<b>30</b>	<b>36</b>	<b>Qty Req.</b>
101	Control Button Kit	133.0176.906	133.0176.906	1
190	Switchboard Kit	133.0176.907	133.0176.907	1

# CLASSICA

## motor components



	Model Number	CLAS30SS	CLAS36SS	
Key	Description	30	36	Qty Req.
302	Impeller Kit	133.0052.799	133.0052.799	1
305	Rubber Motor Mount	133.0051.604	133.0051.604	1
312	Capacitor	133.0060.648	133.0060.648	1
399	Motor Kit	133.0052.798	133.0052.798	1