

Classica

Decorative Collection

a brand new value alternative in canopy wall hoods

- wall canopy rangehood
- traditional styling
- 600 cfm
- 2 halogen lights
- ductless chimney out of the box
- 3 speed LED electronic controls
- 10 minute intensive speed setting
- dishwasher safe grease filters
- convertible to ductless
(KIT REQUIRED)
- adjustable mounting system
- 6" round duct



New backlit electronic controls with a blue LED light to indicate the current speed and lighting on/off



Size | Color | Old / New Model #

30 Stainless	CLAS30SS
36 Stainless	CLAS36SS



Designed to offer a high-end look without the high-end price tag, the Classica offers a chimney style rangehood for the price conscious customer. Traditional styling, standard features, and solid performance make the Classica a great value in canopy rangehoods.

a High Ceiling Chimney Kit

One 40" upper chimney to replace 15 3/4" upper chimney that came with the hood
Stainless HIGHCLAS

CFM Reducer Kit

For use in make up air environments where an under 300 cfm hood is required. This kit reduces the ducting to 5" round and reduces the cfm to under 300

CFMRED



o Ductless Conversion Kit

Includes: Ductless Diverter
• Two Charcoal Filters

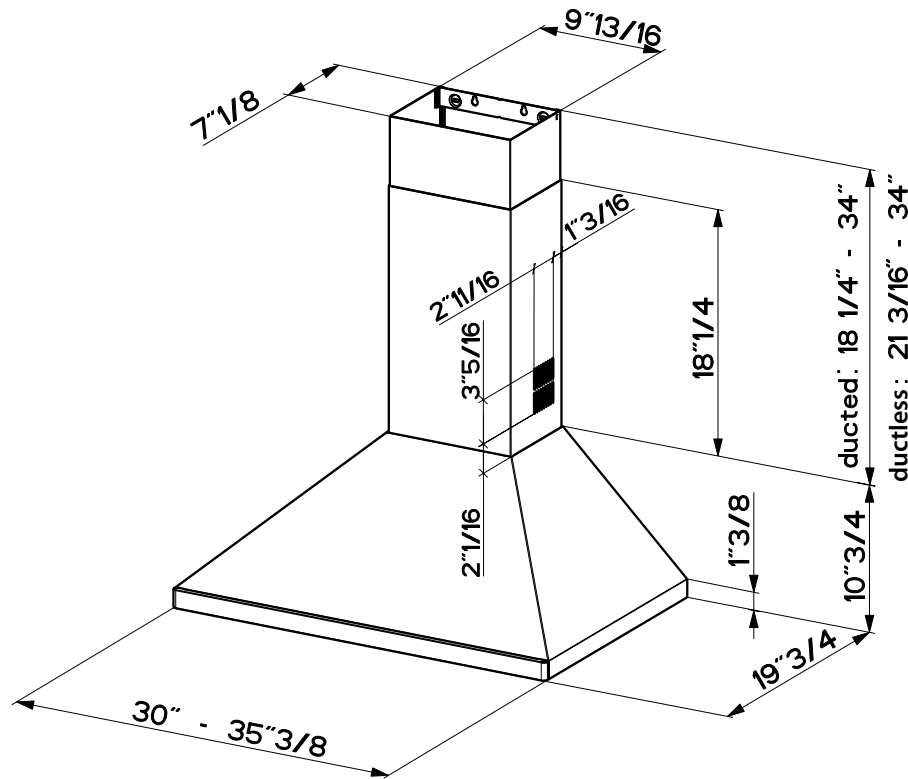
Stainless DUCTCLAS

Replacement Charcoal Filter

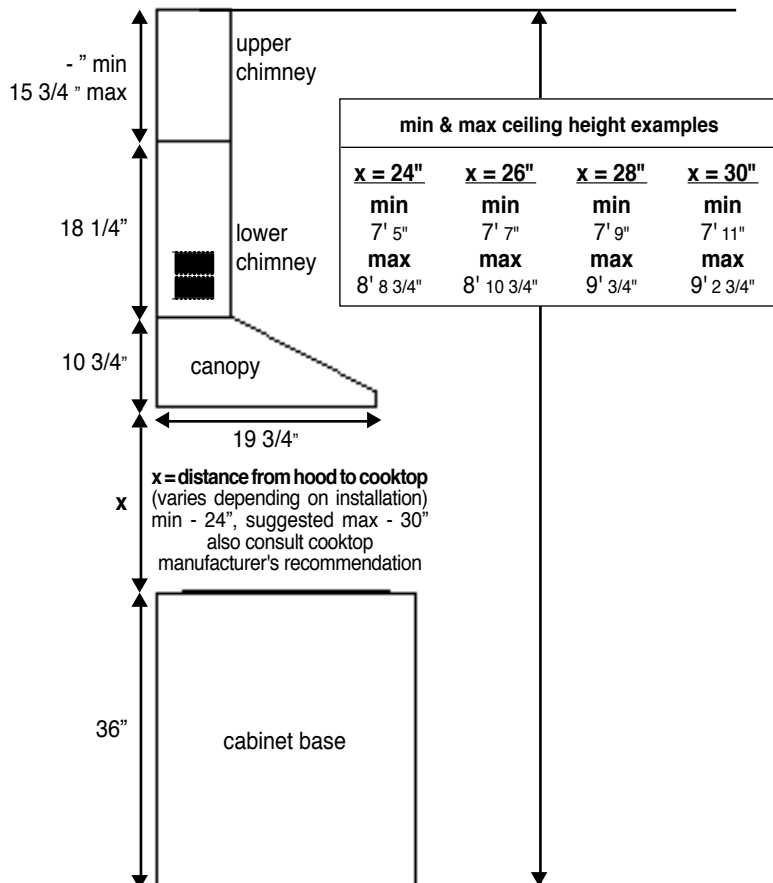
FILTER1



Dimensional Diagrams & Electrical Knockouts



Pre-Planning Your Installation - Important: Consult the installation instructions before you begin installing this rangehood.



For shorter ceilings, have the chimney cover(s) cut at a sheet metal shop. For higher ceiling installations, the **High Ceiling Chimney Kit** includes a new 39" upper chimney which would replace the 15 3/4" upper chimney that came with the hood.

Make your ductrun as straight and short as possible. The ductrun should not exceed 35 equivalent feet if ducted with the required minimum of 6" round duct. Count 45° angles as 3 feet, 90° elbows as 5 feet, and 90° flat elbows as 12 feet.

For best results, use no more than three 90° elbows. Make sure that there is a minimum of 24" of straight duct between elbows if more than one is used. Do not install two elbows together. If you must elbow right away, do it as far away from the hood's exhaust opening as possible.

Note: for ductless installations, subtract 3 1/2" from the minimum ceiling height

WARNING! Product specifications are subject to change without notification. Consult the installation instructions before you begin installing this rangehood.