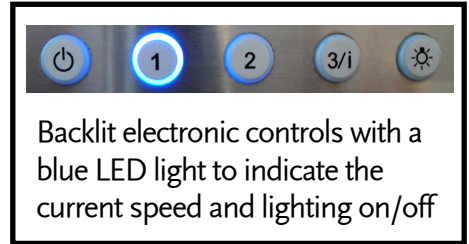


Glassy Wall Range Hood

a stunning value alternative in glass wall hoods

FABER

ON AIR. SINCE 1955



Backlit electronic controls with a blue LED light to indicate the current speed and lighting on/off

Designed to offer a high-end look without the high-end price tag, the Glassy offers a flat glass chimney style range hood for the price conscious customer. Modern styling, designer features, and solid performance make the Glassy a great value in range hoods.

Model #	Size Color	Performance Range	Sound Levels
GLAS30SS	30 Stainless	160 - 600 CFM	3.5 - 6.5 sones
GLAS36SS	36 Stainless	160 - 600 CFM	3.5 - 6.5 sones



Feature Chart

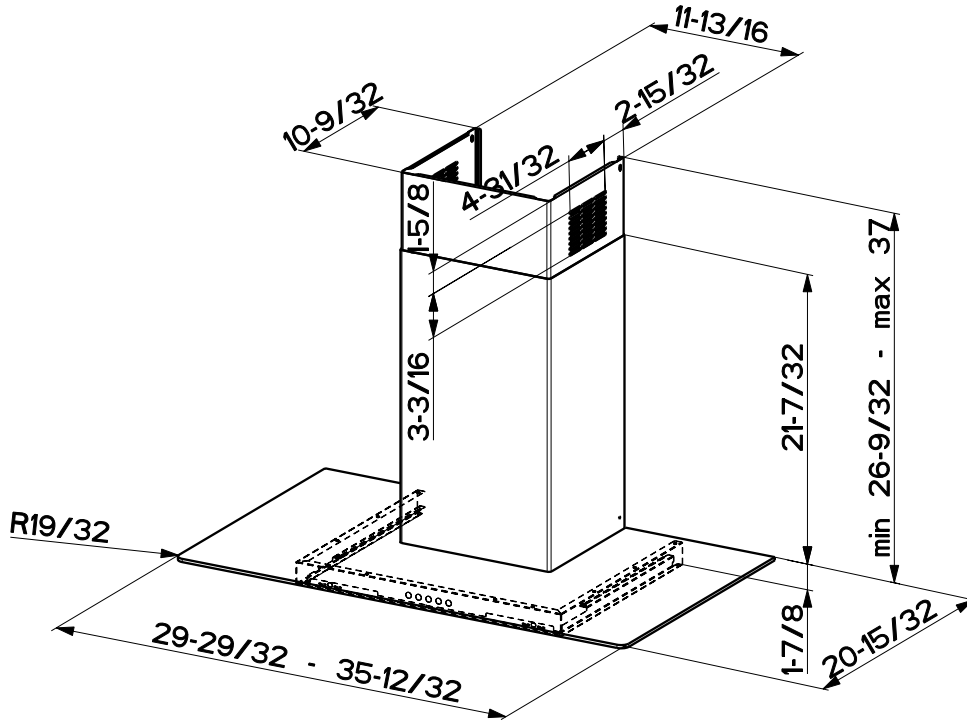
Min. / Max. Ceiling Height	7' 4 27/32" - 8' 8 29/32"
Canopy Depth / Height	20 15/32" D / 1 7/8" H
High Ceiling Kit	Yes - up to 10' 8 1/8"
Convertible to Recirculating	Yes - ductless chimney included, ductless kit needed
Controls	3 Speed Push w/ Blue LED
Lighting	2 X 20 (W) Halogen
Ducting Top	6" Round
Ducting Direct Rear	N/A
Grease Filters	dishwasher safe mesh
10 Minute Intensive Speed	Yes
AC Input	120 V - 60 hz
AC Power	Max 370 W at 3.1 A
Annual Electricity Costs	\$6.17 / Year *

* Note – ran 30 minutes a day on low speed, 365 days, using the North American average of 12.2 cents per kWh.

p.o. box 435 • Wayland, MA 01778 • tel: (508) 358-5353 • fax: (508) 358-5730 • e-mail: info@faberonline.com • www.faberonline.com

Dimensional Diagrams

(see installation instructions for more information)



min & max ceiling height examples x = range hood height above cook top	
x = 24"	x = 30"
min	min
7' 4 27/32"	7' 4 27/32"
max	max
8' 2 29/32"	8' 8 29/32"

For shorter ceilings, have the chimney cover(s) cut at a sheet metal shop. For higher ceiling installations, the High Ceiling Chimney Kit includes a new 39" upper chimney which would replace the 15 25/32" upper chimney that came with the hood.

ACCESSORIES

High Ceiling Chimney Kit # HIGH1

One 39" upper chimney to replace 16 3/8" upper chimney that came with the hood.
NOTE: You must duct the hood outside to use the high ceiling kit



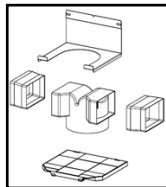
CFM Reducer Kit # CFMRED

For use in make up air environments where an under 300 cfm hood is required. This kit reduces the ducting to 5" round and reduces the cfm to under 300



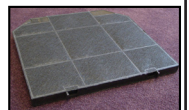
Ductless Conversion Kit # DUCT3

Includes: Ductless Diverter, bracket, Charcoal Filters



Replacement Charcoal Filter # FILTER2

For ductless installations, high quality, heavy duty filters ensure the removal of smoke and odors from the kitchen.



Note: High Ceiling Kit and ductless kit cannot be used together



WARNING! Product specifications are subject to change without notification. Consult the installation instructions before you begin installing this rangehood.