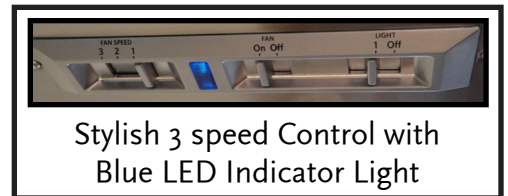


# Maestrale Wall Hood

A stylish professional kitchen wall range hood

**FABER**

ON AIR. SINCE 1955



Stylish 3 speed Control with Blue LED Indicator Light

The Maestrale range hood from Faber is a professional hood with a sense of style. With top or direct rear venting and multiple chimney options makes the Maestrale the most versatile and easy to install Pro hood on the market.

Model #	Size   Color	Performance Range	Sound Levels
MAES30SS	30 Stainless	200 - 600 CFM	3.5 - 6.5 sones
MAES36SS	36 Stainless	200 - 600 CFM	3.5 - 6.5 sones
MAES42SS	42 Stainless	200 - 600 CFM	3.5 - 6.5 sones
MAES48SS	48 Stainless	400 -1,200 CFM	5.0 - 12.0 sones



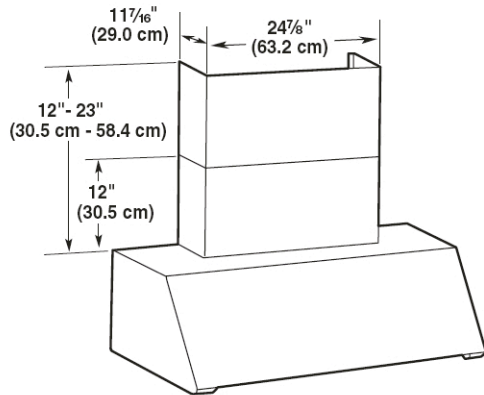
## Feature Chart

Min. / Max. Ceiling Height	N/A
Canopy Depth / Height	25" D / 18" H
Controls	3 speed slider with blue LED backlight
Lighting	3 (30, 36,42") OR 4 (48") X 20 (W) Halogen
Ducting Top	6" Round or (2) - 6" Round on 48"
Ducting Direct Rear Venting	6" Round or (2) - 6" Round on 48"
Grease Filters	dishwasher safe baffle filters
Pro Motor with Metal Impellers	Yes
AC Input	120 V - 60 hz
AC Power	Max 510 W at 4.3 A (30,36,42") Max 720 W at 7.7 A (48")
<b>Annual Electricity Costs</b>	<b>\$5.73 / Year * (30,36,42")</b>

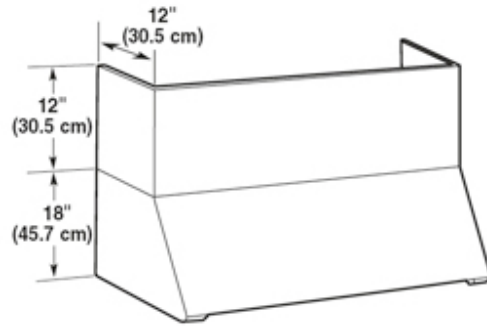
\* Note – ran 30 minutes a day on low speed with the lights on, 365 days, using the North American average of 12.2 cents per kWh.  
p.o. box 435 • Wayland, MA 01778 • tel: (508) 358-5353 • fax: (508) 358-5730 • e-mail: info@faberonline.com • www.faberonline.com

## Dimensional Diagrams

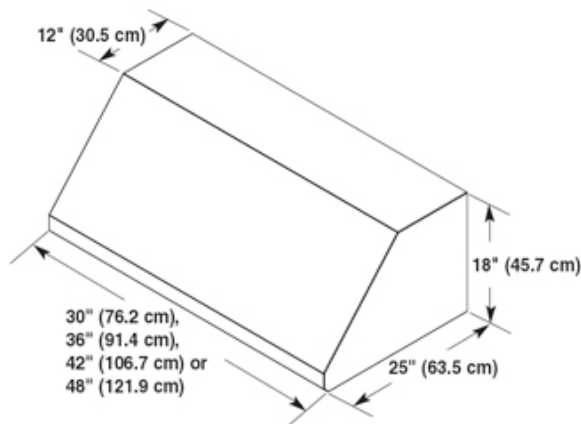
(see installation instructions for more information)



**WITH TELESCOPIC CHIMNEY KIT**



**WITH FULL WIDTH DUCT COVER**



## ACCESSORIES

<p><b>Telescopic Chimney Cover</b> 24" wide, extends to accommodate 8 - 9 foot ceilings</p>	<p><b># TELEMAES</b></p>	
<p><b>Full Width Duct Cover</b> 12" high, extends full width of the hood</p>	<p>30" - # FULL30 36" - # FULL36 42" - # FULL42 48" - # FULL48</p>	
<p><b>Duct Transition Kit</b> For 48" model only, transitions two 6" openings to one 10" round opening</p>	<p><b># TRNSPRO</b></p>	
<p><b>CFM Reducer Kit</b> For use in make up air environments where an under 300 cfm hood is required. This kit reduces the ducting to 5" round and reduces the cfm to under 300. <b>NOT FOR USE WITH 48" size hood</b></p>	<p><b># CFMRED</b></p>	



**WARNING!** Product specifications are subject to change without notification. Consult the installation instructions before you begin installing this rangehood.