

Pellicano

Professional Collection

a modern take on the traditional rangehood

- under cabinet rangehood
- updated styling
- 600 cfm PRO motor
- 2 halogen lights
- 3 speed push button controls
- dishwasher safe SS grease filters
- convertible to recirculating*
- New ductless kit available
- top or direct rear venting
- easy mounting system
- sone range: 3.5 - 6.5
- 6" round duct

* it is highly recommended that professional style cooking always be vented to the outside.



Size/Color/Model

30 Stainless	PELL30SS
36 Stainless	PELL36SS



FABER

The Pellicano is an excellent replacement hood for your updated pro cooking. Installs easily to the bottom of your cabinet.

a **Ductless Vent Grate Kit**
c A 4" high stainless steel vent grate which
c is installed below the cabinet to recirculate
e the air back into the kitchen when
s ducting outside is impossible or
 impractical. Includes the stainless grate,
 installation hardware and charcoal filters

Size / Model #
 30" / DUCTGRT30
 36" / DUCTGRT36



s
o
r
i
e
s

Replacement Charcoal Filters

For recirculating installations, high quality, heavy duty filters ensure the removal of smoke and odors from the kitchen.



Model #
FILTER1

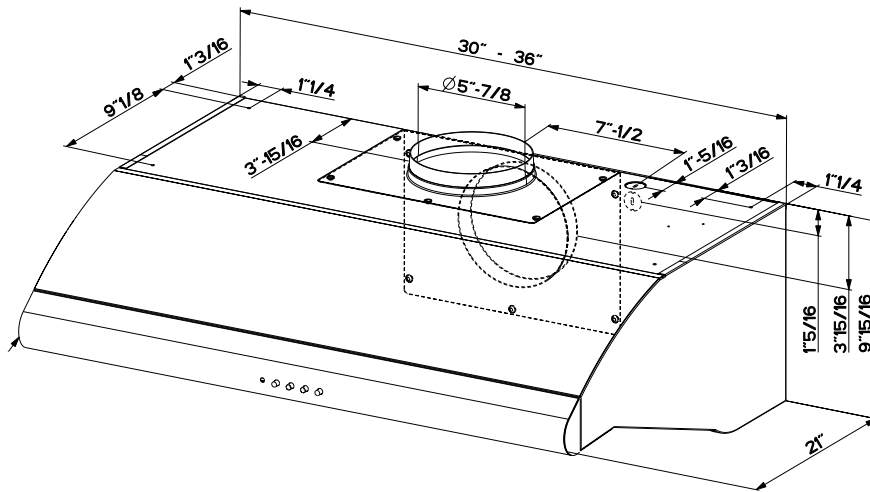
CFM Reducer Kit

For use in make up air environments where an under 300 cfm hood is required. This kit reduces the ducting to 5" round and reduces the cfm to under 300

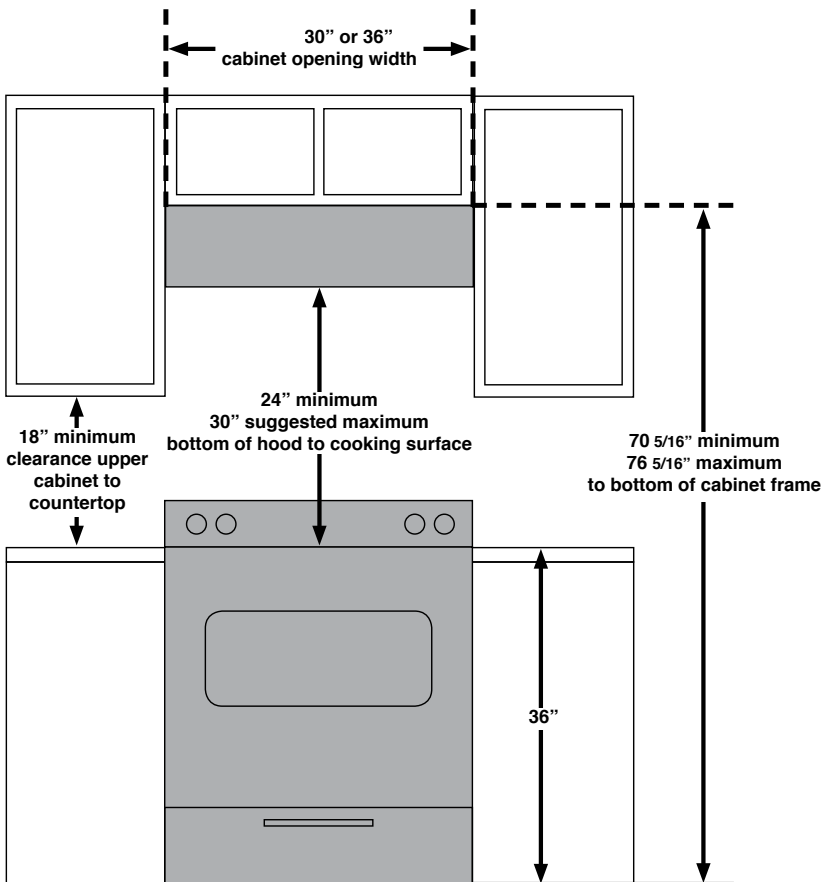


CFMRED

Dimensional Diagrams & Electrical Knockouts



Pre-Planning Your Installation - Important: Consult the installation instructions before you begin installing this rangehood.



Pre-Planning Your Ductwork

Important: Consult the installation instructions before you begin installing this rangehood.

Make your ductrun as straight and short as possible. The ductrun should not exceed 35 equivalent feet if ducted with the required minimum of 6" round ductwork. Count 45° angles as 3 feet, 90° elbows as 5 feet, and 90° flat elbows as 12 feet.

For best results, use no more than three 90° elbows. Make sure that there is a minimum of 24" of straight duct between elbows if more than one is used. Do not install two elbows together. If you must elbow right away, do it as far away from the hood's exhaust opening as possible.

Recirculating Installations

IT IS HIGHLY RECOMMENDED THAT PROFESSIONAL STYLE COOKING BE VENTED TO THE OUTSIDE. For installations where ductwork to the outside of your home is impossible or highly impractical **Charcoal Filters**, which attach to the blower assembly, absorb smoke and odors.