

Pellicano Wall Hood

A stylish professional kitchen under-cabinet range hood



ON AIR. SINCE 1955



The Pellicano is an excellent replacement hood for your updated pro cooking. Installs easily to the bottom of your cabinet. Now recirculating filtered air back into your kitchen has never been easier with a new ductless vent grate kit

Model #	Size Color	Performance Range	Sound Levels
PELL30SS	30 Stainless	200 - 600 CFM	3.5 - 6.5 sones
PELL36SS	36 Stainless	200 - 600 CFM	3.5 - 6.5 sones

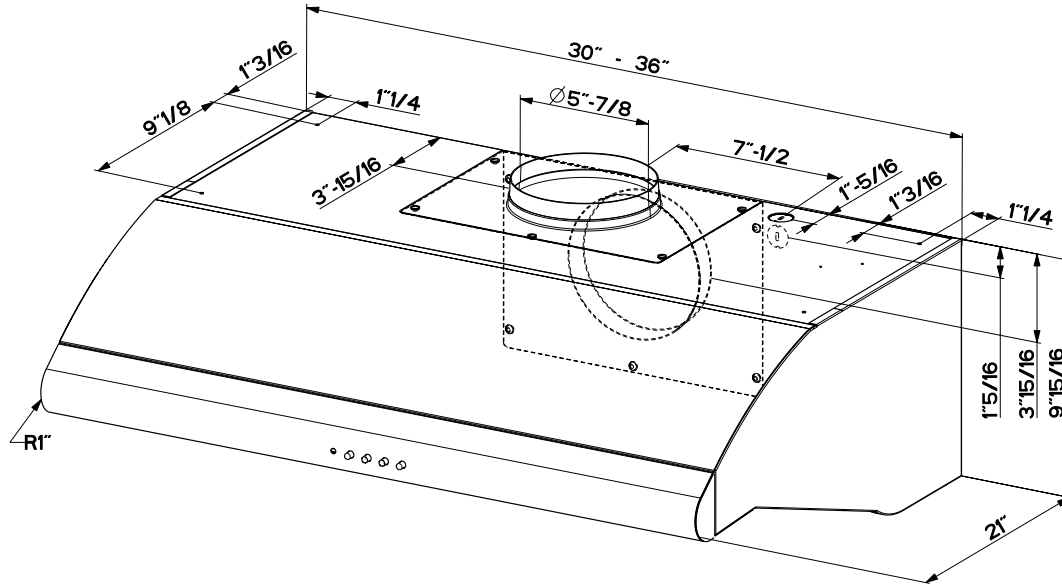


Feature Chart	
Min. / Max. Ceiling Height	N/A
Canopy Depth / Height	21" D / 10" H
Controls	3 speed push
Lighting	2 X 20 (W) Halogen
Ducting Top	6" Round
Grease Filters	dishwasher safe stainless mesh filters
Pro Motor with Metal Impellers	Yes
AC Input	120 V - 60 hz
AC Power	Max 370 W at 3.1 A
Annual Electricity Costs	\$4.11 / Year *

* Note – ran 30 minutes a day on low speed with the lights on, 365 days, using the North American average of 12.2 cents per kWh.
 p.o. box 435 • Wayland, MA 01778 • tel: (508) 358-5353 • fax: (508) 358-5730 • e-mail: info@faberonline.com • www.faberonline.com

Dimensional Diagrams

(see installation instructions for more information)



ACCESSORIES

Ductless Vent Grate Kit

A 4" high stainless steel vent grate which is installed below the cabinet to recirculate the air back into the kitchen when ducting outside is impossible or impractical. Includes the stainless grate, installation hardware and charcoal filters

30" - # DUCTGRT30
36" - # DUCTGRT36



Replacement Charcoal Filters

For recirculating installations, high quality, heavy duty filters ensure the removal of smoke and odors from the kitchen.

FILTER1



CFM Reducer Kit

For use in make up air environments where an under 300 cfm hood is required. This kit reduces the ducting to 5" round and reduces the cfm to under 300. NOT FOR USE WITH 48" size hood

CFMRED



Universal Make-Up Air Damper

Satisfies current make-up air requirements, this kit uses an air switch above the hood to activate the make-up air damper to open and bring fresh air into the home whenever the hood fan is operating and then close tightly when the hood is off. The CFM level is not reduced by using this kit.

MUDAMPER6 / MUDAMPER8
(6") (8")

