

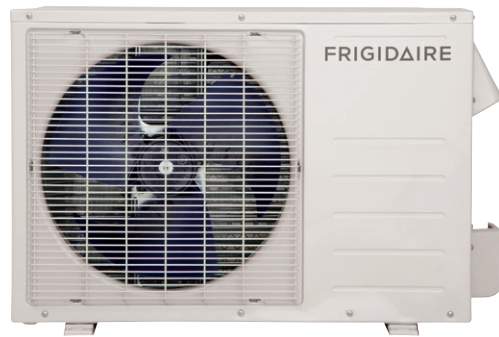
# Home Comfort

## FRS123LS1

### Ductless Mini-Split Air Conditioner



FRS123LW1<sup>1</sup> Indoor



FRS123LC1<sup>1</sup> Outdoor

#### Product Dimensions Evaporator (Indoor) Model

|        |         |
|--------|---------|
| Height | 11-1/2" |
| Width  | 36-1/4" |
| Depth  | 8-7/8"  |

#### Product Dimensions Condenser (Outdoor) Model

|        |           |
|--------|-----------|
| Height | 23-1/4"   |
| Width  | 29-15/16" |
| Depth  | 11-1/4"   |

#### More Easy-To-Use Features

##### Energy and Cost Savings

A split system helps avoid the energy losses that normally come with ductwork. This loss can amount to up to 40% due to leaks, tears and long lengths.

##### Multi-Speed Fan

Features three different fan speeds, for more cooling flexibility.

##### Sleep Mode

Quiet operation keeps you cool without keeping you awake. Plus, Sleep Mode gradually increases room temperature after being activated.

##### Quickly Cools

Turbo Mode for that quick cool-down when you first turn it on

##### Comfort Control Design

Easily control the direction of your cool air, wherever your unit is.

##### Effortless™ Restart

Automatically resumes operating at its previous settings when power is restored to your unit.

##### 24 Hour On/Off Timer

| Performance | BTUs   |
|-------------|--------|
| Cool        | 12,000 |

<sup>1</sup>Photo may not represent actual model.

## Signature Features

### Effortless™ Temperature Control

Our air conditioners maintain the preset room temperature, so you will remain comfortable at all times.

### Ready-Select™ Controls

Easily select options with the touch of a button.

### Remote Control

Allows you to precisely control the temperature and fan speed from across the room.

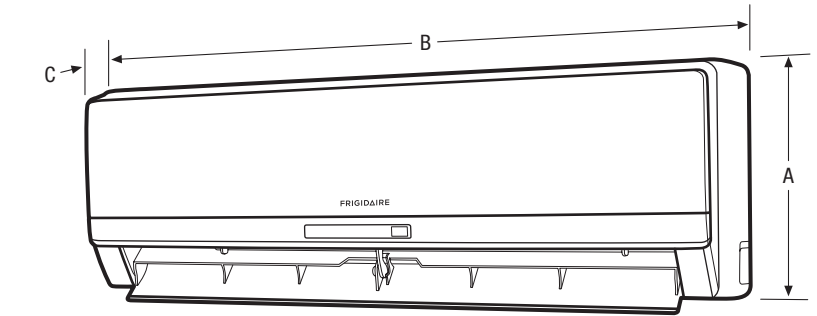
### Effortless™ Clean Filter

Our anti-microbial filter cleans the air, removing harmful bacteria.

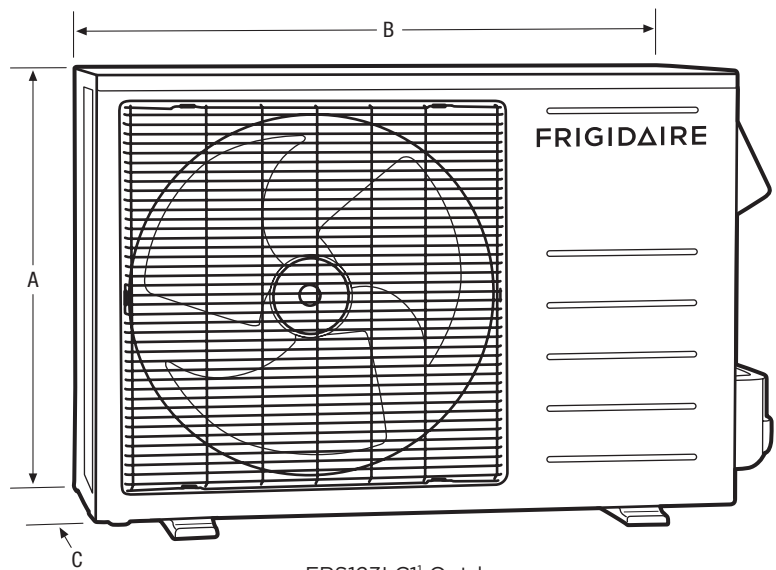
|                                       |                        |
|---------------------------------------|------------------------|
| <b>Model Numbers</b>                  |                        |
| System Model Number                   | FRS123LS1              |
| Indoor Unit Part Number               | FRS123LW1              |
| Outdoor Unit Part Number <sup>1</sup> | FRS123LC1              |
| <b>Performance</b>                    |                        |
| BTU (Cool)                            | 12,000                 |
| Cooling Area (Sq. Ft.)                | 640                    |
| SEER (Air Conditioner)                | 13                     |
| Inverter Technology                   |                        |
| <b>Electrical</b>                     |                        |
| Volts                                 | DC 35V                 |
| Amps (Cool) Indoor/Outdoor            | 0.9/10                 |
| Watts (Cool) Indoor/Outdoor           | 25/1090                |
| Fuse (Amps) Indoor/Outdoor            | 3.15/ 20               |
| <b>Features</b>                       |                        |
| Controls                              | Ready-Select™ Controls |
| Fan Speeds (Cool/Fan)                 | 3/3                    |
| Low Voltage Start-Up                  | Yes                    |
| Turbo Fan                             | Yes                    |
| Auto Fan                              | Yes                    |
| Energy Saver                          | Yes                    |
| Sleep Mode                            | Yes                    |
| 24 Hour On/Off Timer                  | Yes                    |
| Remote Control                        | Full-Function          |
| Air CFM (High/Med/Low) Indoor         | 470/412/370            |
| Air Direction Control (Vert./Horz.)   | Yes/Yes                |
| Air Discharge (Full-Width)            | Bottom                 |
| Filter Type                           | Antimicrobial Mesh     |
| Filter Access                         | Slide-Out              |
| Air Direction Control - Horizontal    | Manual                 |
| Air Direction Control - Vertical      | Swing                  |
| dB (Indoor) (High/Med/Low)            | 47/43/40               |
| dB (Outdoor)                          | 56                     |
| Warranty <sup>2</sup>                 | Yes                    |
| <b>Included Accessories</b>           |                        |
| Drain Kit (Outdoor Unit)              | Yes                    |
| Installation Plate (Indoor Unit)      | Yes                    |
| Line Set (Indoor Unit)                | Yes                    |
| Remote Holder (Indoor Unit)           | Yes                    |
| <b>Certifications</b>                 |                        |
| ENERGY STAR®                          |                        |
| Performance                           | ARI                    |
| <b>Specifications</b>                 |                        |
| Refrigerant                           | R410a                  |
| Shipping Weight (Approx.)             | 86                     |

<sup>1</sup>Includes 16.4 ft. line set.

<sup>2</sup>Warranty 5 year sealed system/1 year full parts and labor.



FRS123LW1<sup>1</sup> Indoor



FRS123LC1<sup>1</sup> Outdoor

NOTE: For planning purposes only. Always consult local and national electric codes. Refer to Product Installation Guide for detailed installation instructions on the web at [frigidaire.com](http://frigidaire.com).



| Product Dimensions  |           |
|---------------------|-----------|
| <b>Indoor -</b>     |           |
| A - Height          | 11-1/2"   |
| B - Width           | 36-1/4"   |
| C - Depth           | 8-7/8"    |
| Max. Wall Thickness | 18"       |
| <b>Outdoor -</b>    |           |
| A - Height          | 23-1/4"   |
| B - Width           | 29-15/16" |
| C - Depth           | 11-1/4"   |

<sup>1</sup>Illustration may not represent actual model.

All refrigeration and electrical work must be performed by a certified and licensed refrigeration technician for full parts and labor warranty validation. Insulated line sets and control wires are required and available for Frigidaire split systems in 16.4 ft. length. Each line set is equipped with flare nuts on both ends. Each system requires one line set for each indoor unit installed.

Accessories information available on the web at [frigidaire.com](http://frigidaire.com)

# Ductless Mini-Split System Air Conditioners Servicer Technical Data Sheet

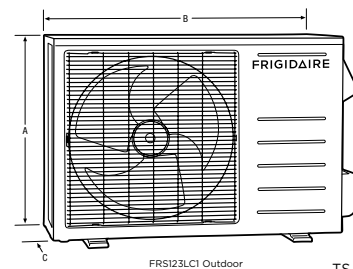
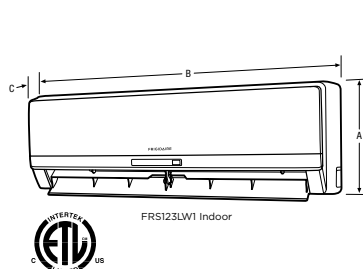
# FRIGIDAIRE®

## FRS123LS1

| POWER                   |                            |
|-------------------------|----------------------------|
| Circuit Amps            | 17.2 A                     |
| Maximum Fuse Size       | 20.0 A                     |
| CAPACITIES              |                            |
| Cooling                 | C                          |
| Amps                    | 10 A                       |
| Watts                   | 1090 W                     |
| Min/Max Cooling         | n/a                        |
| SEER                    | 13.0                       |
| EER                     | 14.8422                    |
| Low Ambient Temperature | 17° C-43° C (62° F-109° F) |
| Voltage/Frequency/Phase | 115V/60Hz/1P               |
| Dehumidification        | 2.6 PT/H                   |
| INDOOR UNIT             |                            |
| Sound Rating            | 47/43/40 dB(A)             |
| Net Weight              | 23 lb                      |
| Shipping Weight         | 30 lb                      |
| Dimensions (H x W x D)  | 11.5" x 36.22" x 8.86"     |
| Full Loaded Amps        | 0.9 A                      |
| Number of Fan Speeds    | 3                          |
| Fan Type                | cross flow                 |
| RPM at High Speed)      | 1270 rpm                   |
| Motor Watts             | 25 W                       |
| Full Loaded Amps        | 0.9 A                      |
| Coil Type               | aluminum fin & copper pipe |
| Fin Type                | Hydrophilic aluminium      |
| Pipe Type               | innergroove copper pipe    |
| Fin Rows (FPI)          | 2                          |
| Tube Diameter           | ϕ 7 mm (9/32")             |
| Drain Connection Size   | ϕ 15.4 mm (3/5")           |
| FEATURES                |                            |
| Controls                | electronic                 |
| Remote Control          | lcd wireless               |
| Temperature Control     | 17-30° C                   |
| Timer                   | 24 hr                      |
| Air Louvers             | 2 pieces                   |
| Horizontal              | manual                     |
| Vertical                | swing                      |
| Low Voltage Restart     | yes                        |
| Self-Diagnosis          | yes                        |
| Quiet Operation         | yes                        |
| Air Filter              | washable, anti-mold        |
| COMPRESSOR              |                            |
|                         | EA82X1C-1FZDU1             |
| Controls                | rotary                     |
| Remote Control          | 9.9 A                      |
| Temperature Control     | 47.3 A                     |

| REFRIGERANT SYSTEM            |                                |
|-------------------------------|--------------------------------|
| Refrigerant                   | R410A                          |
| Ounces                        | 46.91                          |
| Control                       | capillary                      |
| Lineset                       | 16.4 ft                        |
| Maximum Height                | 26 ft                          |
| Maximum Line length           | 65.6 ft                        |
| Discharge Vapor Line (od)     | ϕ 8 mm (5/16")                 |
| Suction (od)                  | ϕ 12.7 mm (1/2")               |
| OUTDOOR UNIT                  |                                |
| Sound rating                  | ≤ 56 dB (A)                    |
| Net Weight                    | 78 lb                          |
| Shipping Weight               | 84 lb                          |
| Dimensions (H x W x D)        | 23.23" x 29.92" x 11.22"       |
| Recommended Fuse              | 20.0 A                         |
| Minimum Amps                  | 0.9 A                          |
| Running Current               | 10 A                           |
| Fan Type                      | Axial                          |
| Fan Diameter/Number of Speeds | 15.79"-1                       |
| Drive Type                    | asynchronous                   |
| Motor Watts                   | 77 W                           |
| Number of Poles and RPM       | 6-880 rpm                      |
| CFM (High)                    | 1294                           |
| Coil Type                     | aluminum fin & copper pipe     |
| Fin Type                      | Hydrophilic aluminium          |
| Pipe Type                     | innergroove copper pipe        |
| Fin Rows (FPI)                | 2                              |
| Tube Size                     | ϕ 9.52 mm (3/8")               |
| OPERATING RANGE               |                                |
|                               | <b>Indoor Air</b>              |
|                               | intake temp                    |
| Cooling                       | 32.2° C db/wb<br>22.8° C db/wb |
| Heating                       | 21° C db/wb<br>15° C db/wb     |
|                               | <b>Outdoor Air</b>             |
|                               | intake temp                    |
| Cooling                       | 43.3° C db/wb<br>25.6° C db/wb |
| Heating                       | 18° C db/wb<br>12° C db/wb     |
| HEATING                       |                                |
| Total Capacity (BTU)          | ?? Btu                         |
| HSPF                          | ??                             |
| Amps                          | ??                             |
| Max Amps                      | ?? A                           |
| Power Inputs                  | ?? W                           |
| Back Up Strip Heater          | ??                             |
| Outdoor Sound Rating          | ≤ 56 dB (A)                    |

| PRODUCT DIMENSIONS  |           |
|---------------------|-----------|
| <b>Indoor -</b>     |           |
| A - Height          | 11-1/2"   |
| B - Width           | 36-1/4"   |
| C - Depth           | 8-7/8"    |
| Max. Wall Thickness | 18"       |
| <b>Outdoor -</b>    |           |
| A - Height          | 23-1/4"   |
| B - Width           | 29-15/16" |
| C - Depth           | 11-1/4"   |



# Ductless Mini-Split System Air Conditioners Submittal Sheet

# FRIGIDAIRE®

## FRS123LS1

Job: \_\_\_\_\_ Reference: \_\_\_\_\_ Construction: \_\_\_\_\_  
 Location: \_\_\_\_\_ Approval: \_\_\_\_\_ Unit Number: \_\_\_\_\_  
 Engineer: \_\_\_\_\_ Date: \_\_\_\_\_ Drawing Number: \_\_\_\_\_  
 Submitted to: \_\_\_\_\_ Submitted by: \_\_\_\_\_

| POWER                   |                            |
|-------------------------|----------------------------|
| Circuit Amps            | 17.2 A                     |
| Maximum Fuse Size       | 20.0 A                     |
| CAPACITIES              |                            |
| Cooling                 | 12,000 Btu                 |
| Amps                    | 10 A                       |
| Watts                   | 1090 W                     |
| Min/Max Cooling         | n/a                        |
| SEER                    | 13.0                       |
| EER                     | 14.8422                    |
| Low Ambient Temperature | 17° C-43° C (62° F-109° F) |
| Voltage/Frequency/Phase | 115V/60Hz/1P               |
| Dehumidification        | 2.6 PT/H                   |
| INDOOR UNIT             |                            |
| Sound Rating            | 47/43/40                   |
| Net Weight              | 23 lb                      |
| Shipping Weight         | 30 lb                      |
| Dimensions (H x W x D)  | 11.5" x 36.22" x 8.86"     |
| Full Loaded Amps        | 0.9 A                      |
| Number of Fan Speeds    | 3                          |
| Fan Type                | cross flow                 |
| Motor Watts             | 25 W                       |
| Full Loaded Amps        | 0.9 A                      |
| COMPRESSOR              |                            |
| Type                    | EA82X1C-1FZDU1 rotary      |
| Amps                    | 9.9 A                      |
| Locked Rotor Amps       | 47.3 A                     |

| OUTDOOR UNIT              |                          |
|---------------------------|--------------------------|
| Sound Rating              | ≤ 56 dB (A)              |
| Net Weight                | 78 lb                    |
| Shipping Weight           | 84 lb                    |
| Dimensions (H x W x D)    | 23.23" x 29.92" x 11.22" |
| Recommended Fuse          | 20.0 A                   |
| Minimum Amps              | 0.9 A                    |
| Running Current           | 10 A                     |
| Drive Type                | asynchronous             |
| Motor Watts               | 77 W                     |
| CFM (high)                | 1294                     |
| FEATURES                  |                          |
| Controls                  | electronic               |
| Remote Control            | lcd wireless             |
| Temperature control       | 17-30° C                 |
| Timer                     | 24 hr                    |
| Air Louvers               | 2 pieces                 |
| Horizontal                | manual                   |
| Vertical                  | swing                    |
| Low Voltage Restart       | yes                      |
| Self-Diagnosis            | yes                      |
| Quiet Operation           | yes                      |
| Air Filter                | washable, anti-mold      |
| REFRIGERANT SYSTEM        |                          |
| Refrigerant               | R410A                    |
| Ounces                    | 46.91                    |
| Lineset                   | 16.4 ft                  |
| Maximum Height            | 26 ft                    |
| Maximum Line length       | 65.6 ft                  |
| Discharge Vapor Line (od) | Φ 8 mm (5/16")           |
| Suction (od)              | Φ 12.7 mm (1/2")         |

| PRODUCT DIMENSIONS  |           |
|---------------------|-----------|
| Indoor -            |           |
| A - Height          | 11-1/2"   |
| B - Width           | 36-1/4"   |
| C - Depth           | 8-7/8"    |
| Max. Wall Thickness | 18"       |
| Outdoor -           |           |
| A - Height          | 23-1/4"   |
| B - Width           | 29-15/16" |
| C - Depth           | 11-1/4"   |

