



Dishwashers

FFBD2408N S/M/W/B/Q

24" Built-In



Product Dimensions

Height (Adjustable)	33-1/2" - 35"
Width	24"
Depth (Including Door)	25"

More Easy-To-Use Features

Delay Start

2-4-6-hour Delay Start Option. Set your dishwasher to run on your schedule.

Fits-More™ Capacity

Our large capacity, tall-tub dishwasher fits up to 14 place settings so you can wash even more at once.

SpaceWise® Silverware Basket

There's a place for all of your silverware in our multicompart, removable basket.

Ready-Select® Controls

Easily select options with the touch of a button.

High Temperature Wash

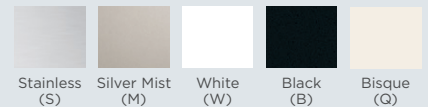
Control Lock Option

Attractive Stainless Steel Exterior¹

ENERGY STAR®



Available in:



¹Select model only.

Signature Features

Quiet Dishwasher

A quiet performance every time so it won't interrupt your time at home.

Eco-Friendly

ENERGY STAR®-qualified dishwasher also features an Energy Saver Plus Cycle that uses less energy without compromising cleaning performance.

Energy Saver Dry Option

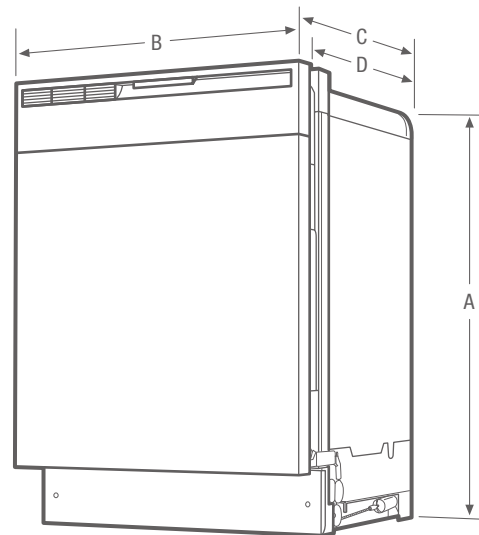
No heat dry option.

Built With American Pride

Appliances that are high-performing, more accessible, and more innovative than ever — designed, built and engineered in the U.S.A.

Features	
Control Design	Ready-Select®
Digital Display	
Door Latch	Yes
Stay-Put Door Hinge Design	
Low Rinse-Aid Indicator Light	
Interior Design	Tall Tub
Interior Color	White
Wash System	Direct
Wash Levels / Wash Speeds	5/1
Sound Package	UltraQuiet™ 1
Filter	Plastic
Filter Trap	Removable
Soft Food Disposer	Yes
dB Level	60
Drying System	Active Vent
Cycles	
Number of Cycles	4
Heavy	Yes
Normal	Yes
Light	Yes
Delicate	
Favorite	
China / Crystal	
Rinse Only	
Energy Saver Plus	Yes
Upper Rack Wash Only	
Cycle Indicator Light	Yes
Control Lock	Yes
Options	
Heat / No Heat Dry	Yes/Yes
Hi-Temp Wash	Yes
NSF® Certified Sanitize Rinse	
Delay Start	2-4-6 Hour
Rack System	
Rack Design / Rack Coating	Standard/PVC
Upper Rack -	
Stemware / Champagne Glass Holders	
Fold-Down Tines	
Cup Shelves	
Lower Rack -	
SpaceWise® Silverware Basket	Ultra 1
Fold-Down Tines	
Small Items Cover	
Certifications	
ENERGY STAR®	Yes
NSF® International Certification	
Specifications	
Water Inlet Location	Left Bottom Front
Water Usage (Gallons)	4.25
Water Pressure (PSI)	20 - 120
Integral Air Gap on Supply	Yes
Leveling Legs	4
Power Supply Connection Location	Right Bottom Front
Voltage Rating	120V / 60 Hz / 15A
Connected Load (kW Rating) @ 120 Volts¹	1.44
Amps @ 120 Volts	10
Shipping Weight (Approx.)	64 Lbs.

¹For use on adequately wired 120V, dedicated circuit having 2-wire service with a separate ground wire. Appliance must be grounded for safe operation.



NOTE: For planning purposes only. Always consult local and national electric and plumbing codes. Refer to Product Installation Guide for detailed installation instructions on the web at frigidaire.com.



Meets requirements of ASSE 1006

Product Dimensions		Cutout Dimensions	
A - Height (Adjustable)	33-1/2" - 35"	Height (Min.)	34-1/4"
B - Width	24"	Height (Max.)	35-1/4"
C - Depth (Including Door)	25"	Width (Min.)	24"
D - Depth (To Tub Flange)	22-1/2"	Depth (Min.)	24"
Depth with Door Open 90°	49-1/4"		

Accessories information available on the web at frigidaire.com

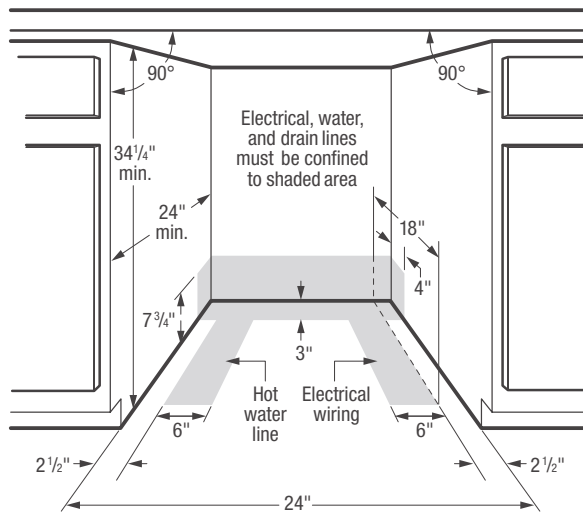
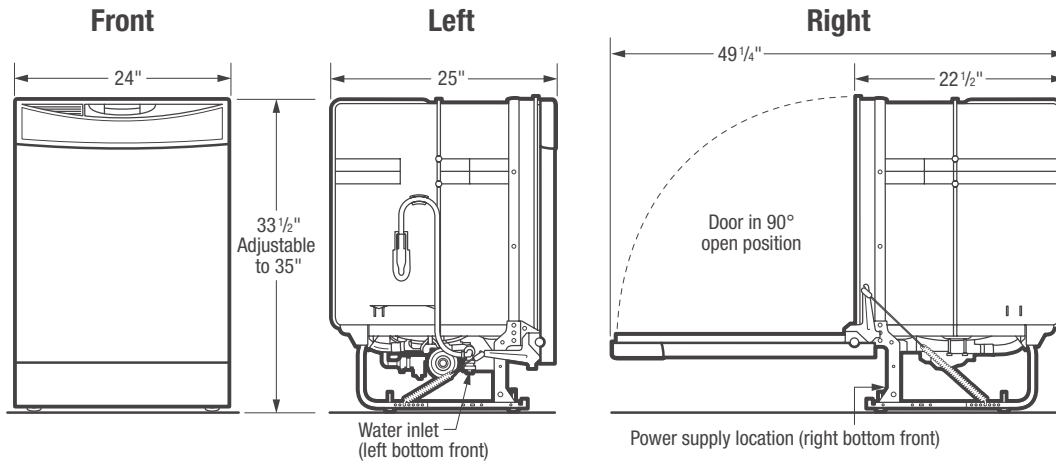
FRIGIDAIRE

USA • 10200 David Taylor Drive • Charlotte, NC 28262 • 1-800-FRIGIDAIRE • frigidaire.com
 CANADA • 5855 Terry Fox Way • Mississauga, ON L5V 3E4 • 1-800-265-8352 • frigidaire.ca

FFBD2408N 03/14

© 2014 Electrolux Home Products, Inc.

Specifications subject to change.



Dishwasher Specifications

- Product Shipping Weight (approx.) - 64 Lbs.
- Voltage Rating - 120V / 60 Hz / 15 Amps (*maximum 20 Amps if connected with disposer*)
- Connected Load (kW Rating) @ 120 Volts = 1.44 kW (For use on adequately wired 120V, dedicated circuit having 2-wire service with a separate ground wire. Appliance must be grounded for safe operation.)
- Amps @ 120V = 10 Amps
- Always consult local and national electric & plumbing codes. Meets requirements of ASSE 1006 – integral air gap on supply.
- Water Pressure - Hot water line to dishwasher must provide between 20 and 120 pounds per square inch (psi) with at least 120° F hot water temperature.
- Make sure location has correct drain, water and electrical outlets to make connections.
- Electrical and water supplies should enter cabinet opening on floor, or through back or side walls, as shown in shaded areas.
- Keep back free of drain, water & electrical supply.

- Connections preferably located toward left side of dishwasher. Do not cross drain, water or electrical lines in front of motor, blower or frame.
- If connecting drain hose to sink trap, local code may require installation of Air Gap Kit (*not included*).
- Leveling legs supplied to adjust height.
- When installing adjacent to wall, cabinet or other obstruction that extends beyond front edge of unit, allow 2" minimum clearance between opened door and obstruction.
- Floor should be flat and free of obstructions.
- When installing at end of cabinet line, sides and back must be fully enclosed.
- Do not install unit under a cooktop, damage will occur.
- Recommended to seal cabinets, enclosing all sides of dishwasher, including underside of countertop, with oil-based paint or moisture-proof polyurethane to prevent possible steam/moisture damage.

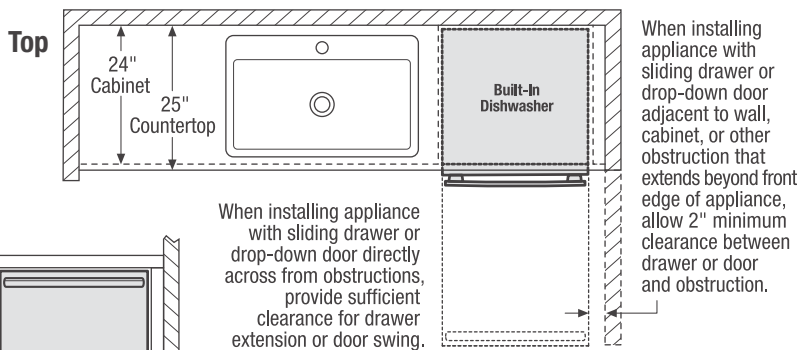
Note: For planning purposes only. Refer to Product Installation Guide on the web at frigidaire.com for detailed instructions.

Use these dimensions and clearance instructions for planning purposes only. For detailed installation instructions, refer to installation guide, packed with product, or on the web at frigidaire.com.



*When installing side-by-side refrigerator adjacent to wall, cabinet or another appliance that extends beyond front edge of unit, 20" minimum clearance recommended to allow for optimum 120° to 180° door swing, providing complete drawer/crisper access and removal. (Absolute 4-1/2" minimum clearance will ONLY allow for 90° door swing which will provide limited drawer/crisper access with restricted removal.)

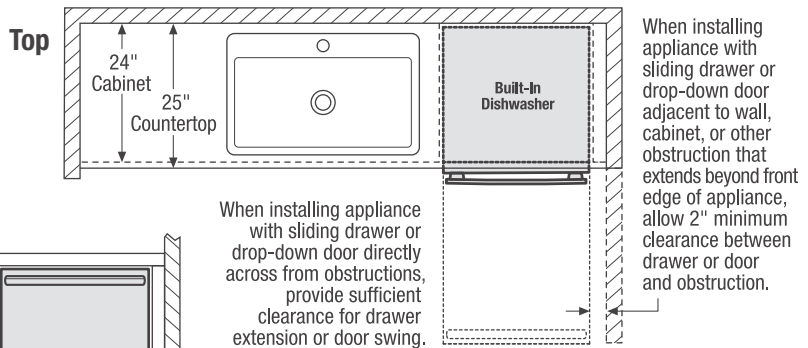
When installing appliance with sliding drawer, swinging or drop-down door directly across from obstructions, provide sufficient clearance for drawer extension or door swings.



Use these dimensions and clearance instructions for planning purposes only. For detailed installation instructions, refer to installation guide, packed with product, or on the web at frigidaire.com.



*When installing top mount refrigerator adjacent to wall, cabinet or other appliance that extends beyond front edge of unit, 20" minimum clearance recommended to allow for optimum 140° door swing, providing complete crisper access and removal. (Absolute 3" minimum clearance will ONLY allow for 90° door swing which will provide limited crisper access with restricted removal.)



Use these dimensions and clearance instructions for planning purposes only. For detailed installation instructions, refer to installation guide, packed with product, or on the web at frigidaire.com.



*When installing French door refrigerator adjacent to wall, cabinet or another appliance that extends beyond front edge of unit, 20" minimum clearance recommended to allow for optimum 120° to 180° door swing, providing complete drawer/crisper access and removal. (Absolute 4-1/2" minimum clearance will ONLY allow for 90° door swing which will provide limited drawer/crisper access with restricted removal.)

When installing appliance with sliding drawer, swinging or drop-down door directly across from obstructions, provide sufficient clearance for drawer extension or door swings.



Use these dimensions and clearance instructions for planning purposes only. For detailed installation instructions, refer to installation guide, packed with product, or on the web at frigidaire.com.

