

Frigidaire

Factory Parts Catalog

Product No.	GLD2870RFB0	GLD2870RFS0
Series	Built-in 24"	Built-in 24"
Color	black	white
Owner's Guide English	154575801	154575801
Owner's Guide Spanish	154575803	154575803
Owner's Guide French	154575802	154575802
Service Data Sheet	154495501	154495501
Energy Guide	154540025	154540025
Installation Instructions	154427301	154427301
Market	North America	North America



Electrolux Major Appliances
 North & Latin America
 P.O. BOX 212378
 AUGUSTA, GA 30917

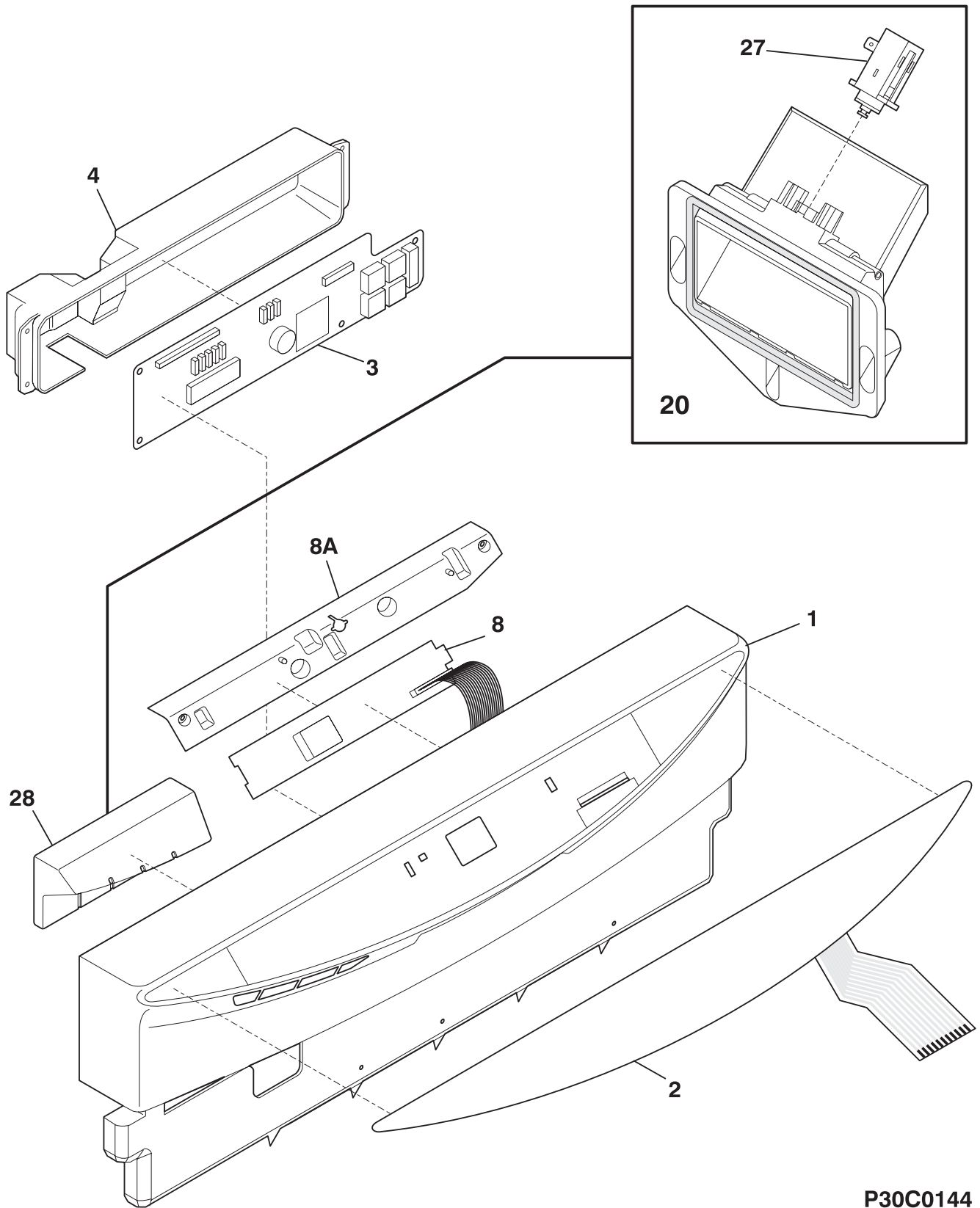
Publication No.
5995463402
 06/03/16
 (EN/SERVICE/ECL)
 821

**24-INCH BUILT-IN
 DISHWASHER**

Model No.
GLD2870RF

Copyright © 2006 Electrolux Home Products, Inc.
 All rights reserved.

CONTROL PANEL



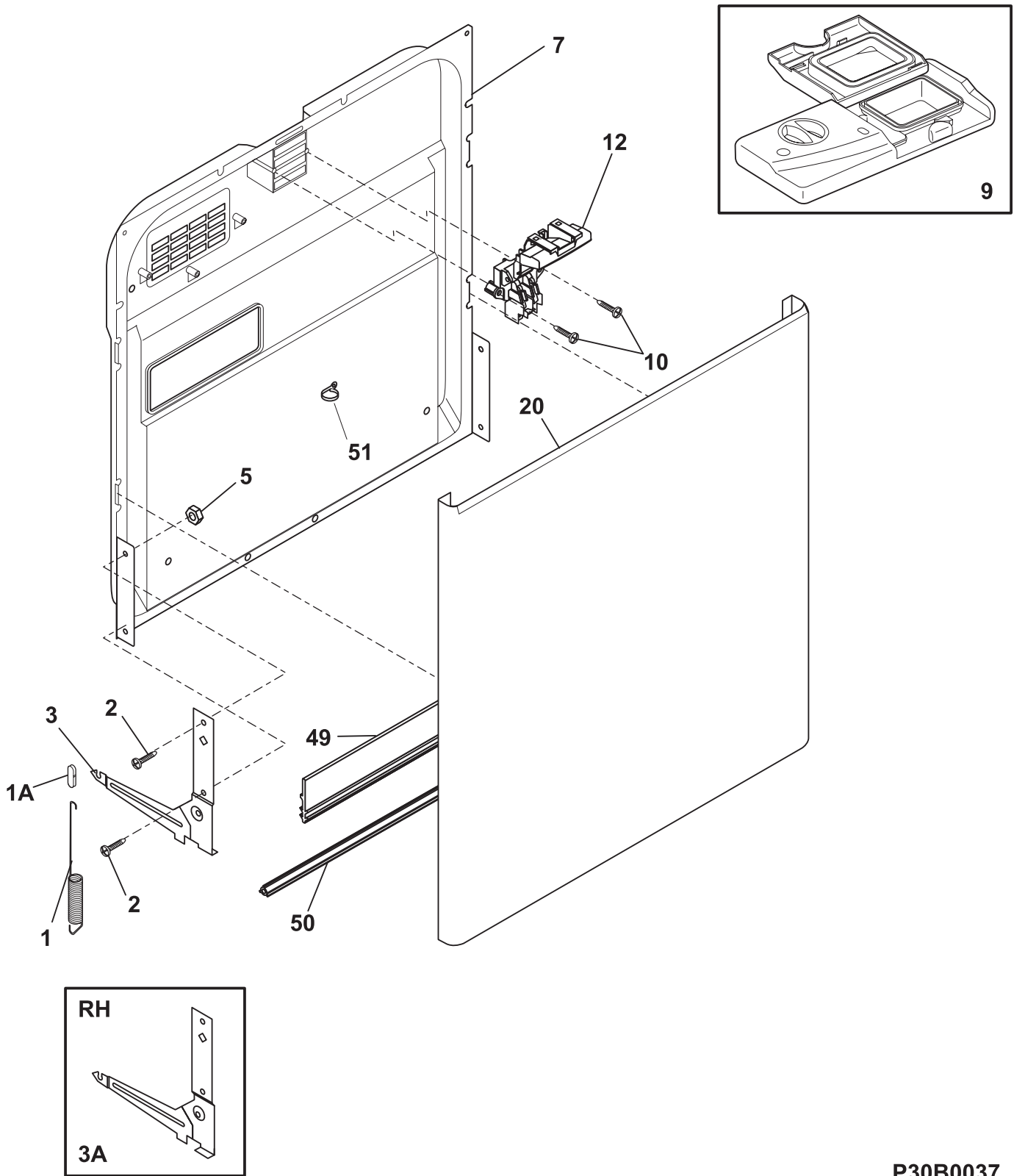
P30C0144

CONTROL PANEL

Model Index: A GLD2870RF (GLD2870RFS0)
 B GLD2870RF (GLD2870RFB0)

POS. NO	PART NO.		DESCRIPTION
1 #	154486101	A -	Panel, control, white
1 #	154486103	- B	Panel, control, black
2	154525701	A -	Insert, control panel, white, w/switch memb.
2	154525703	- B	Insert, control panel, black, w/switch memb.
3	154520901	A B	Board, control
3*	154200401	A B	Screw, 6-10 x 3/8, pan plask
4	154554601	A B	Cover, control
4*	154478901	A B	Gasket, cover
8	154474801	A B	Board, segment display
8*	5303318719	A B	Screw, mtg.
8A	154486201	A B	Shield, tactile switch
20	154423601	A B	Vent assy, active dry, w/actuator
20*	154436201	A B	Screw, dry duct, (3)
27	154433501	A B	Actuator, active dry vent
28	154474401	A B	Adapter, vent
*	154496001	A B	Harness, wiring, main
*	154540025	A B	Energy guide label
*	154283901	A B	Screw, #8-10, 3/8 phillips

DOOR



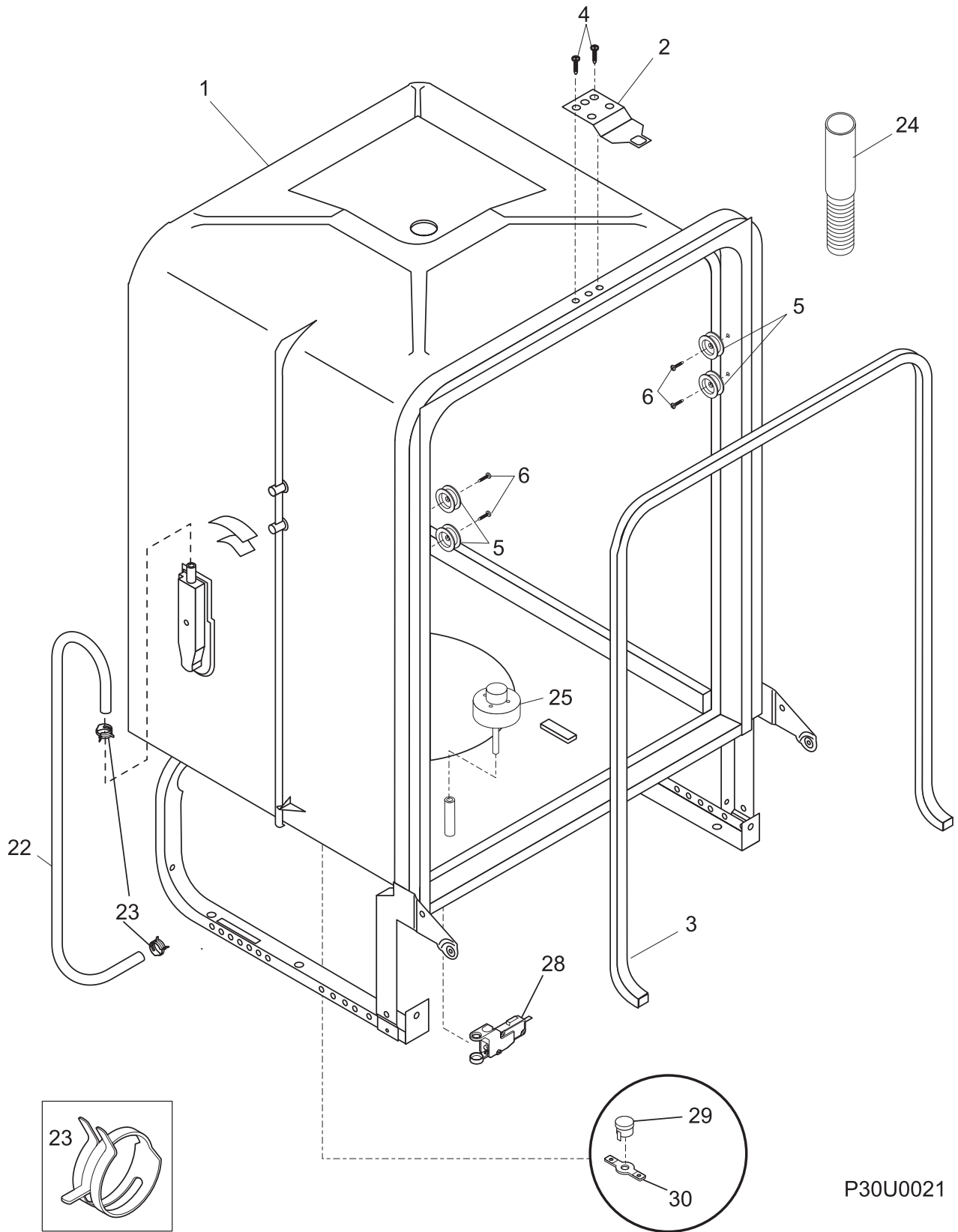
P30B0037

DOOR

Model Index: A GLD2870RF (GLD2870RFS0)
 B GLD2870RF (GLD2870RFB0)

POS. NO	PART NO.		DESCRIPTION
1	154430501	A B	Spring, door, (2)
1A	154325201	A B	Linkage, door spring, (2)
2	154093301	A B	Screw, arm assy, (4)
3	154558103	A B	Arm Assy, LH
3A	154558503	A B	Arm Assy, RH
*	154529101	A B	Pin, arm assy
5	154079601	A B	Nut, arm assy, and handle mtg.
7	154494601	A B	Liner, door assy.
9	154542104	A B	Dispenser, det/rinse aid, w/reed
9*	154294701	A B	Screw, #7 plas .375, (6), disp. assy.
10	154103702	A B	Screw, latch mtg, (2)
12	154529401	A -	Latch assy, white
12	154529403	- B	Latch assy, black
20	154436801	A -	Door Assy, white, outer
20	154436803	- B	Door Assy, black, outer
20*	154253201	A B	Insulation, door
20*	5304428306	A B	Screw, door mtg., (2)
49	154297603	A B	Gasket, door, bottom
50	154211401	A B	Support, door hinge
51	154320301	A B	Clamp, drip loop, wire
*	154200601	A B	Screw, #10-16 x 3/8

TUB



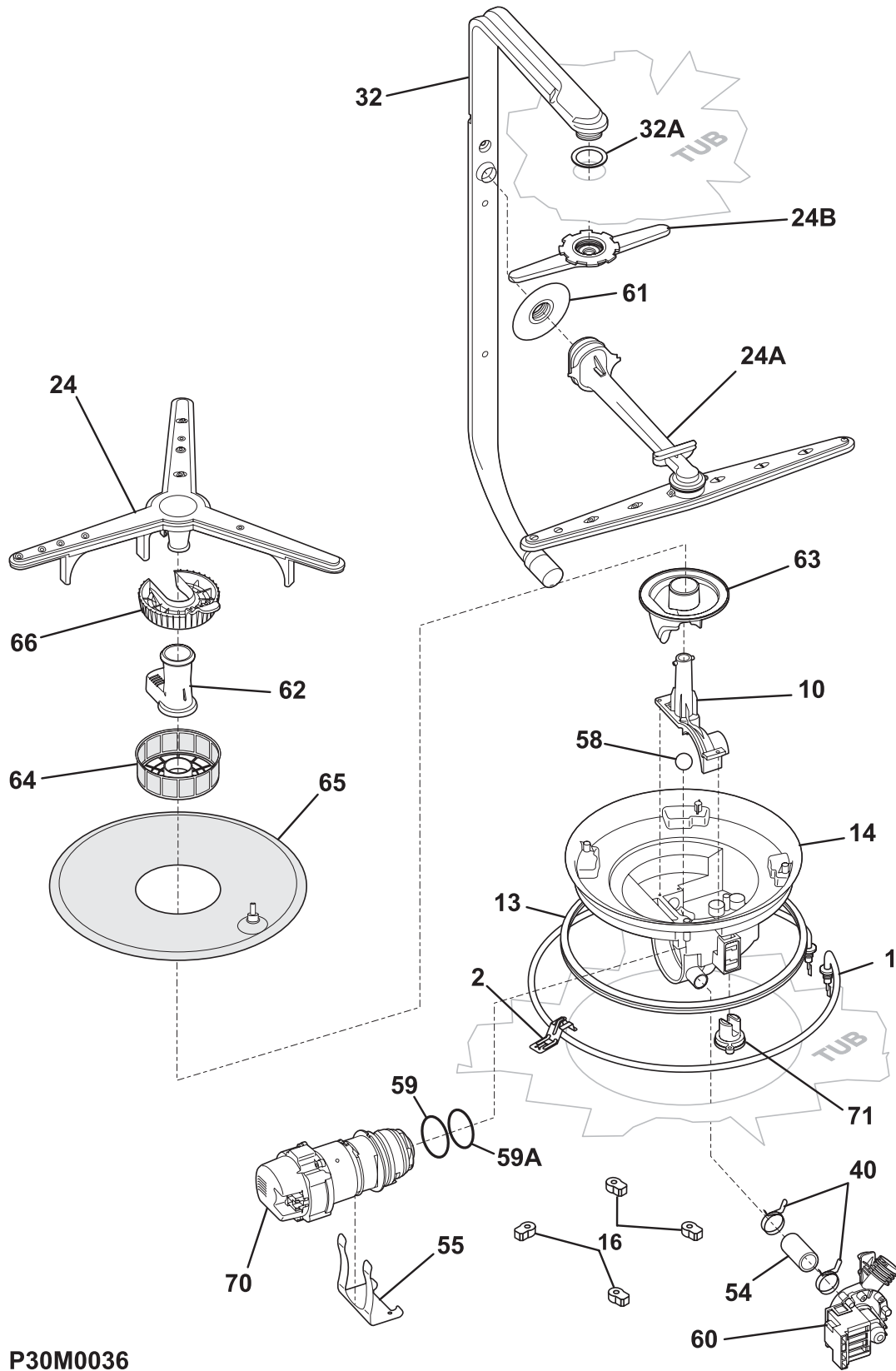
P30U0021

TUB

Model Index: A GLD2870RF (GLD2870RFS0)
 B GLD2870RF (GLD2870RFB0)

POS. NO	PART NO.		DESCRIPTION
1 #	154534701	A B	Tub assy, w/frame parts
2	154429101	A B	Strike, door
3 #	154561001	A B	Gasket, tub
4	154200602	A B	Screw, 10-16 x 3/8, hex
5	154333902	A B	Roller, tub
6	5303943103	A B	Screw, w/washer, (8)
22	154446002	A B	Tubing, water inlet
23	5303318539	A B	Clamp, tubing, (2)
24 #	154525301	A B	Hose, drain
25 #	154209701	A B	Float
28	154408701	A B	Switch Assy, float
29 #	154290204	A B	Thermostat, re-settable
30	154241101	A B	Retainer, thermostat
30*	154297701	A B	Screw, retainer-thermo
*	154447102	A B	Insulation, blanket
*	154447301	A B	Insulation, tub back
*	154041001	A B	Screw, plask #1, 10-10 x 9/16
*	5300807270	A B	Screw, (2), countertop mtg.

MOTOR & PUMP



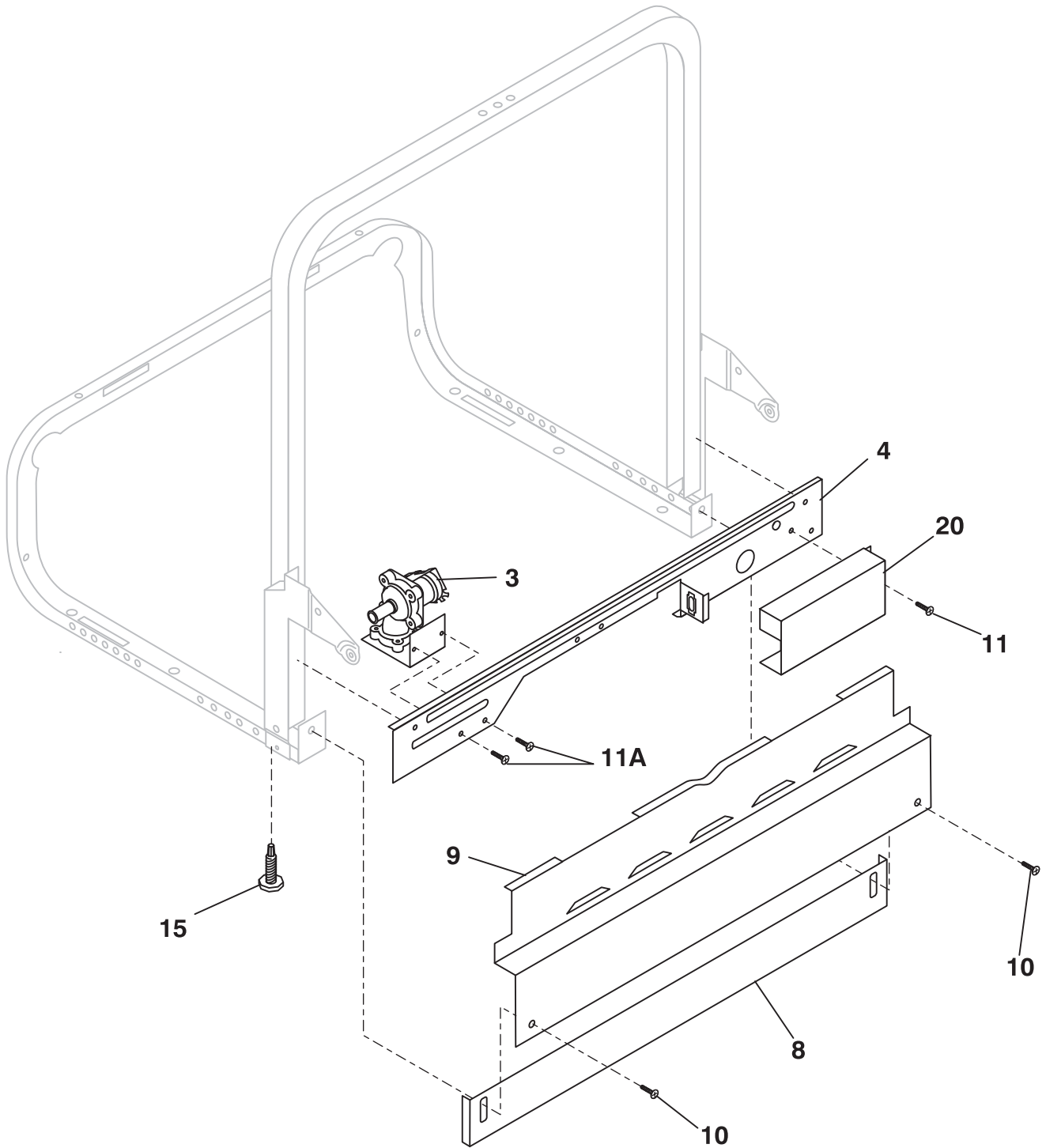
P30M0036

MOTOR & PUMP

Model Index: A GLD2870RF (GLD2870RFS0)
B GLD2870RF (GLD2870RFB0)

POS. NO	PART NO.		DESCRIPTION
1 #	154482901	A B	Heater, round
1*	154106201	A B	Nut, heater, (2)
1*	154289801	A B	Shield, heater terminal
2	154465101	A B	Bracket, heater, (2)
10	154245501	A B	Cover, volute
13	154246801	A B	Gasket, sump
14	154461902	A B	Housing, sump
16	154246502	A B	Retainer, sump
24	154467702	A B	Spray arm, grey, lower
24A	154468502	A B	Spray arm, grey, center
24B	154478201	A B	Spray arm, 3rd level
32	154464101	A B	Tube, delivery
32*	154491101	A B	Screw, delivery tube
32A	154406401	A B	Gasket, delivery tube
40	154348401	A B	Clamp, red, pump
40	154348502	A B	Clamp, red, pump
40*	154106801	A B	Clamp, hose, worm/drain
40*	154380601	A B	Clamp, hose, worm/gear
54	154234401	A B	Hose, connector
55	154362301	A B	Bracket, motor
55*	5303316032	A B	Screw, truss ss, 8 .625
58	154246402	A B	Check ball
59	154246901	A B	O-ring, rear
59A	154247001	A B	O-ring, front
60	154491301	A B	Pump, drain
60*	5303318719	A B	Screw, mtg.
61	154463402	A B	Grommet, delivery tube
62	154294102	A B	Support, spray arm, grey, lower
63	154252201	A B	Base, soil director
64	154252302	A B	Filter, soil director, grey
65	154283005	A B	Filter Assy, grey
66	154252702	A B	Trap, glass, grey
70 #	154483001	A B	Motor & Pump Assy, variable speed
71 #	154473901	A B	Sensor, turbidity
71*	154376001	A B	O-ring, turbidity
*	154200601	A B	Screw, #10-16 x 3/8

FRAME



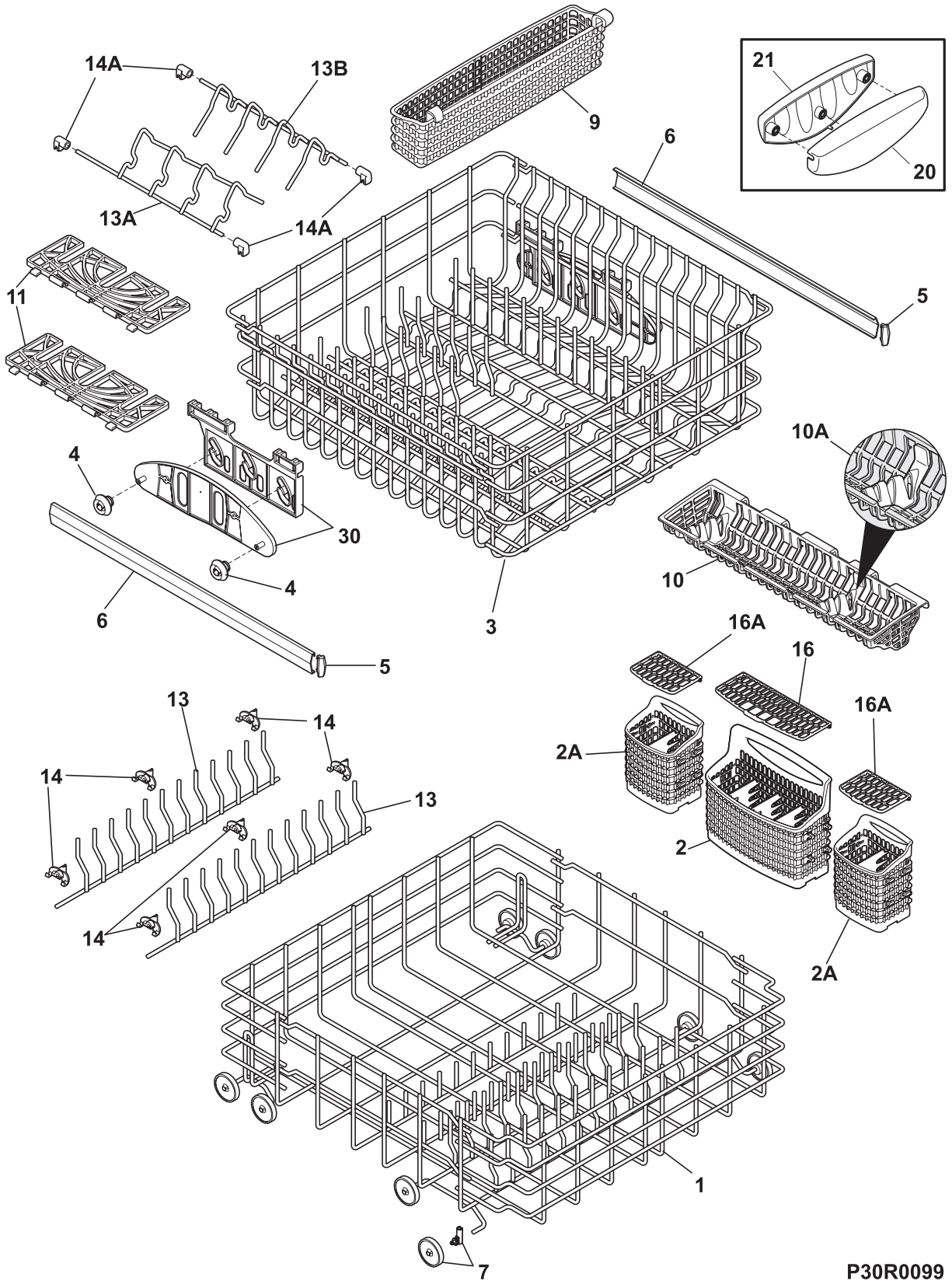
P30F0022

FRAME

Model Index: A GLD2870RF (GLD2870RFS0)
 B GLD2870RF (GLD2870RFB0)

POS. NO	PART NO.		DESCRIPTION
3 #	154476101	A B	Valve, water
4	154208701	A B	Brace, front frame
8	154322901	A -	Toeplate, adjustable, white
8	154322903	- B	Toeplate, adjustable, black
9	154397201	A -	Kickplate Assy, white, w/foam
9	154397203	- B	Kickplate Assy, black, w/foam
10	154371301	A -	Screw, phillips head, white
10	5300808658	- B	Screw, #8A x .375", black
11	154409401	A B	Screw, #8-18 x .375
11A	154200601	A B	Screw, #10-16 x 3/8
15	154419301	A B	Screw, leveling
20	154209601	A B	Cover, junction box
*	154412301	A B	Baffle, sound
*	154290101	A B	Guard, sound baffle, wire
*	154290001	A B	Insulation, sound baffle, side
*	154041001	A B	Screw, plask #1, 10-10 x 9/16
*	154200602	A B	Screw, 10-16 x 3/8, hex

RACKS



P30R0099

RACKS

Model Index: A GLD2870RF (GLD2870RFS0)
 B GLD2870RF (GLD2870RFB0)

POS. NO	PART NO.		DESCRIPTION
1	154432604	A B	Rack assy, lower, grey
2	154424002	A B	Basket, silverware, grey, main
2A	154424102	A B	Basket, silverware, grey, (2), side
3	154494404	A B	Rack assy, upper, grey
4	154494502	A B	Wheel assy., upper rack, (4)
5	5304440996	A B	Cap, slide, grey, (4)
6	154232701	A B	Slide, rack, (2)
7	154174503	A B	Wheel & bracket assy, grey, lower rack, (8)
9	154466902	A B	Basket, utility, grey
10	154488802	A B	Tray, utility, grey, w/knife holder
10A	154452502	A B	Holder, knife, grey
11	154436104	A B	Shelf, cup, half width, grey
13	154425503	A B	Fence, fold down, grey, lower rack, (2), full length
13A	154480403	A B	Fence, multi, 4 wire, LH, upper rack
13B	154480503	A B	Fence, multi, 4 wire, RH, upper rack
14	154428402	A B	Bracket, fold down fence, grey, lower rack, (6)
14A	154242002	A B	Bracket, multi fence, white, upper rack, (4)
14A*	154242102	A B	Bushing, multi fence, upper rack, (4)
16	154424203	A B	Cover, main basket, grey, silverware
16A	154424303	A B	Cover, side basket, grey, (2), silverware
20	154530802	A B	Handle, pull, front, upper rack
21	154530902	A B	Handle, pull, grey, rear, upper rack
30	154570402	A B	Bracket, adjustment, LH, upper rack, assembly
30*	154570502	A B	Bracket, adjustment, RH, upper rack, assembly