

Frigidaire

Factory Parts Catalog

Product No.	GLD4050RHB0	GLD4050RHS0
Series	Built-in 24"	Built-in 24"
Color	black	white
Owner's Guide English	154720101	154720101
Owner's Guide Spanish	154720103	154720103
Owner's Guide French	154720102	154720102
Service Data Sheet	154718601	154718601
Energy Guide	154678521	154678521
Installation Instructions	154427301	154427301
Market	North America	North America



Electrolux Major Appliances
 North & Latin America
 P.O. BOX 212378
 AUGUSTA, GA 30917

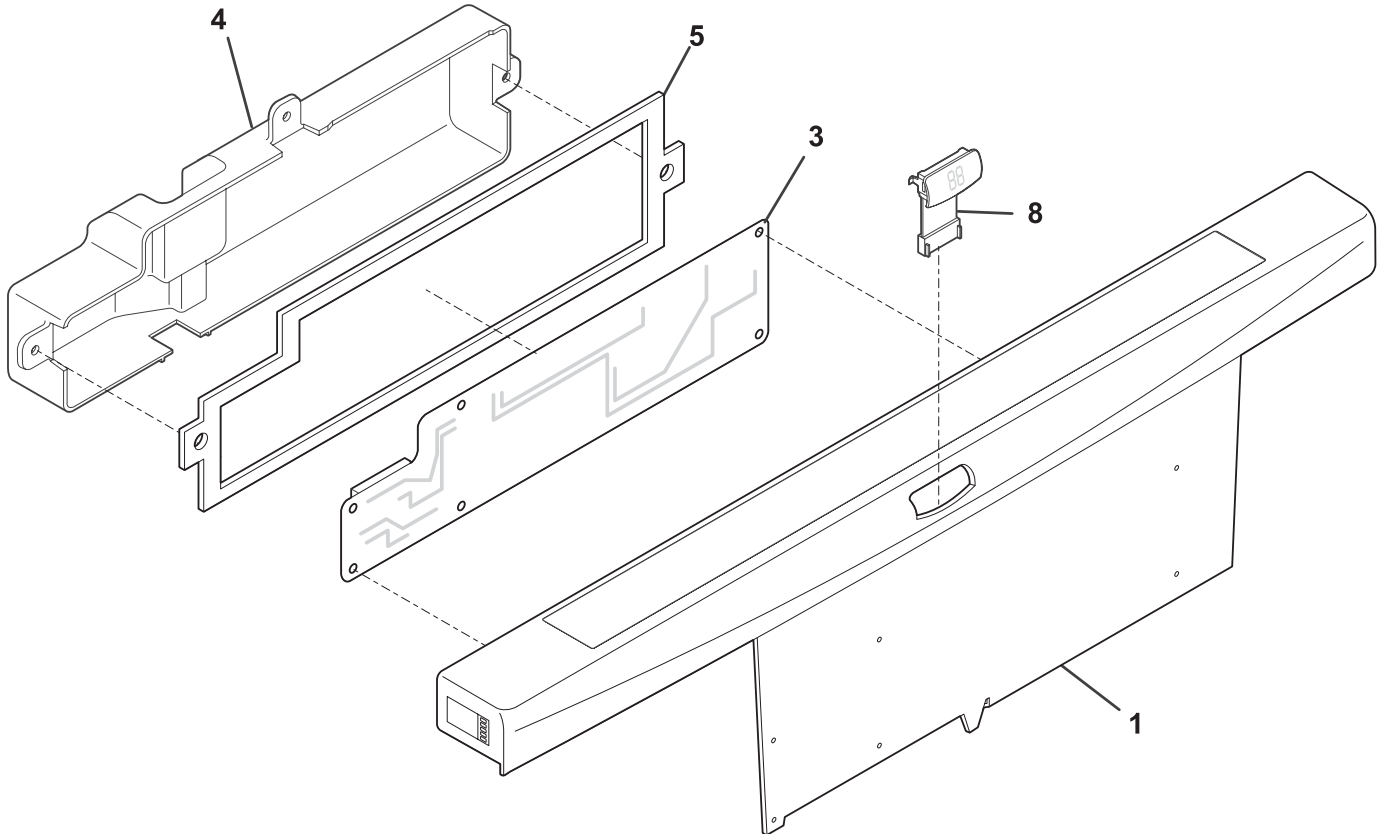
Publication No.
5995523361
 08/09/04
 (EN/SERVICE/ECL)
 821

**24-INCH BUILT-IN
 DISHWASHER**

Model No.
GLD4050RH

Copyright © 2008 Electrolux Home Products, Inc.
 All rights reserved.

CONTROL PANEL



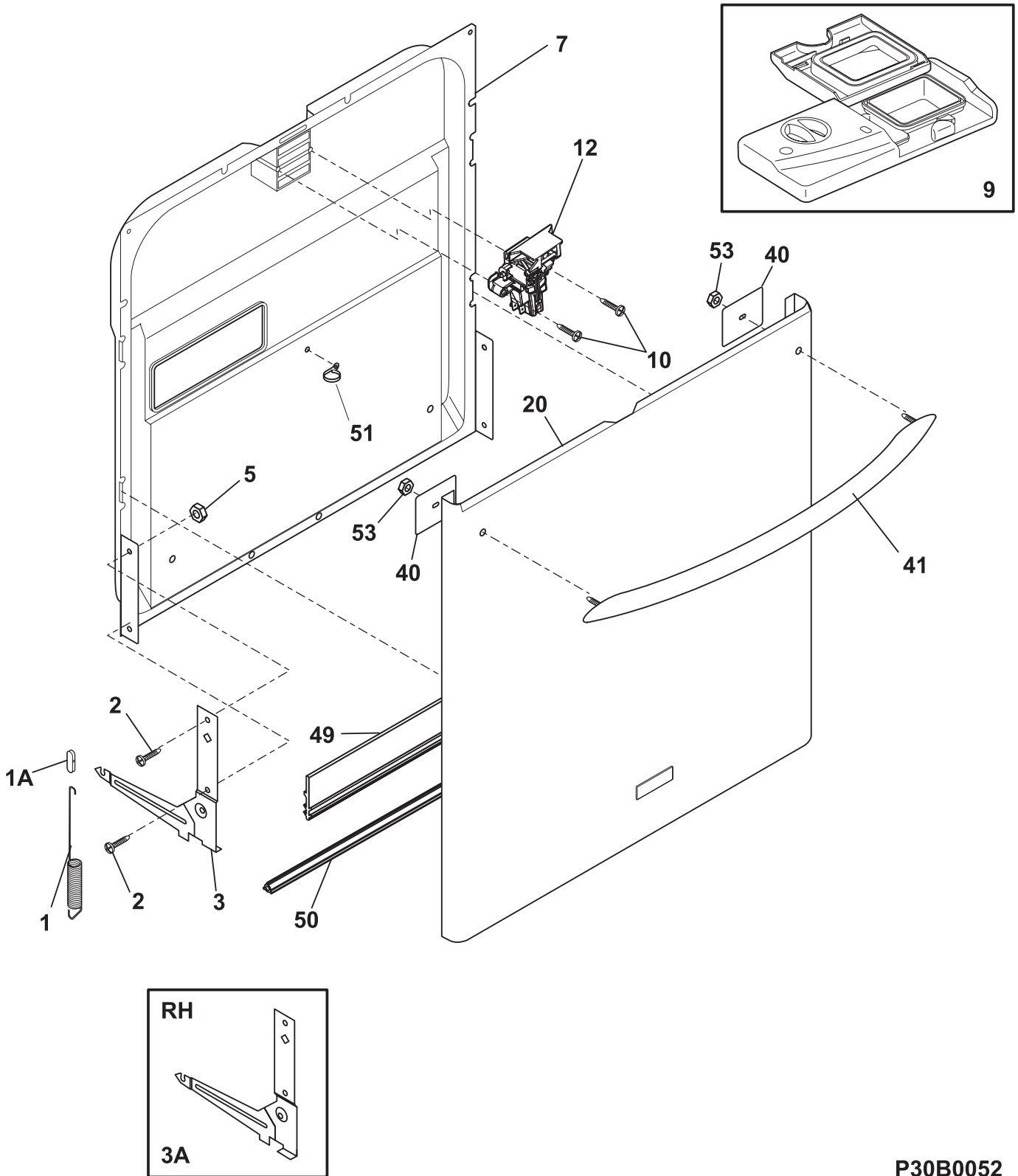
P30C0161

CONTROL PANEL

Model Index: A GLD4050RH (GLD4050RHB0)
 B GLD4050RH (GLD4050RHS0)

POS. NO	PART NO.		DESCRIPTION
1 #	154639209	A -	Console Panel, assembly, black, & foam, w/overlay
1 #	154639210	- B	Console Panel, assembly, white, & foam, w/overlay
3 #	154543602	A B	Board, control
4	154718801	A B	Cover, control
5	154718901	A B	Gasket, control cover
8 #	154543401	A B	Board, display
* #	154597601	A B	Harness, wiring, main
*	154678521	A B	Energy guide label
*	154294701	A B	Screw, #7 plas .375, (6), disp. assy.
*	154409401	A B	Screw, #8-18 x .375

DOOR



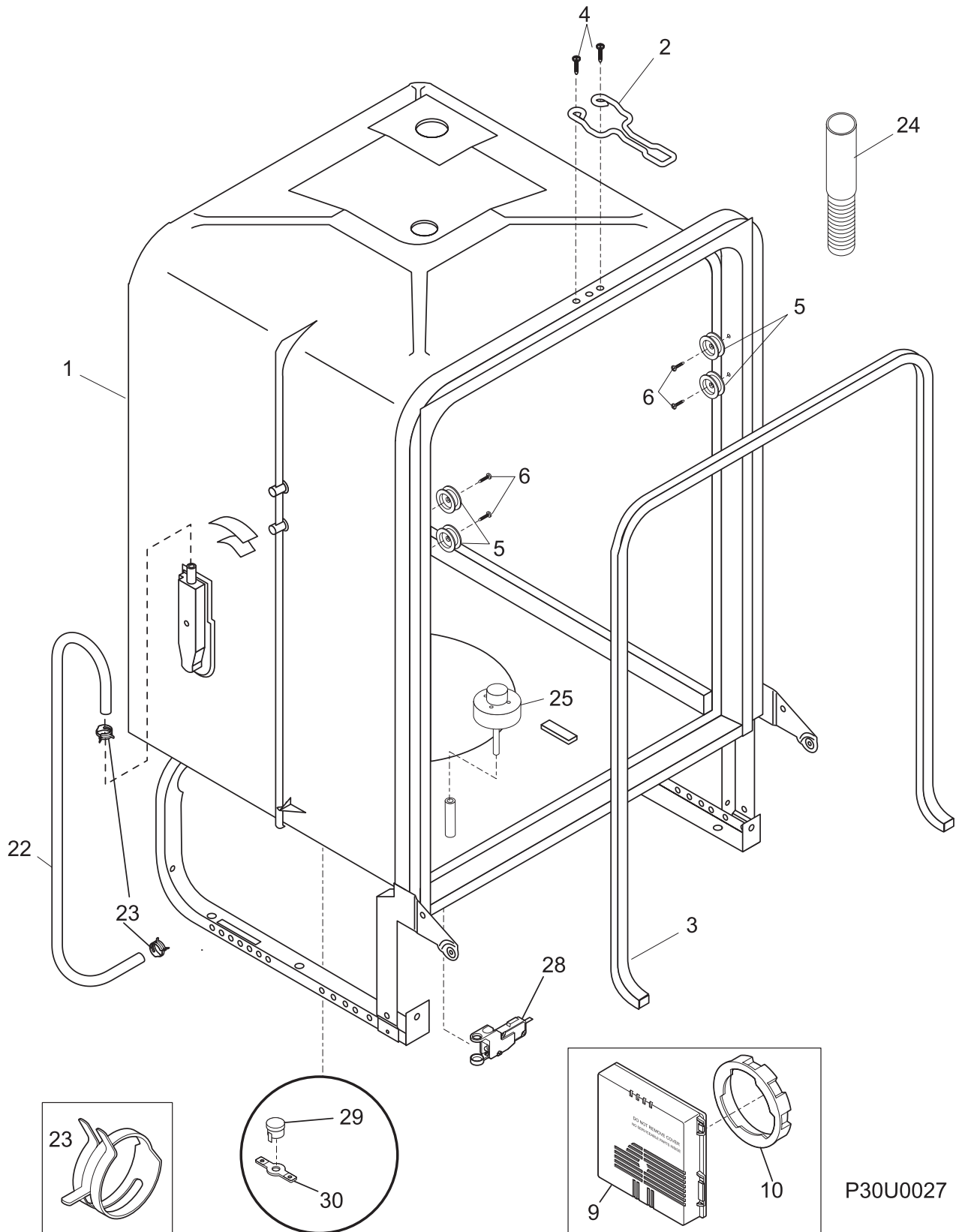
P30B0052

DOOR

Model Index: A GLD4050RH (GLD4050RHB0)
 B GLD4050RH (GLD4050RHS0)

POS. NO	PART NO.		DESCRIPTION
1	154430601	A B	Spring, door, (2)
1A	154325201	A B	Linkage, door spring, (2)
2	154093301	A B	Screw, arm assy, (4)
3	154598201	A B	Arm Assy, LH, w/foam
3A	154597701	A B	Arm Assy, RH, w/foam
*	154529101	A B	Pin, arm assy
5	154079601	A B	Nut, arm assy, and handle mtg.
7	154494309	A B	Liner, door assembly, white, complete
9	154542104	A B	Dispenser, det/rinse aid, w/read
9*	154294701	A B	Screw, #7 plas .375, (6), disp. assy.
10	154103702	A B	Screw, latch mtg, (2)
12 #	154543901	A B	Latch assy, black
20	154580703	A -	Door Assy, outer, black, w/badge
20	154580704	- B	Door Assy, outer, white, w/badge
20*	5304428306	A B	Screw, door mtg., (2)
40	154585001	A B	Backer, handle mtg, (2)
41	154543703	A -	Towel bar assy, black
41	154543701	- B	Towel bar assy, white
49	154576501	A B	Gasket, door, bottom
50	154598501	A B	Support, door hinge, w/foam
51	154320301	A B	Clamp, drip loop, wire
53	154425001	A B	Nut, Keps, (2), handle mtg.
*	154200601	A B	Screw, #10-16 x 3/8
*	154409401	A B	Screw, #8-18 x .375

TUB

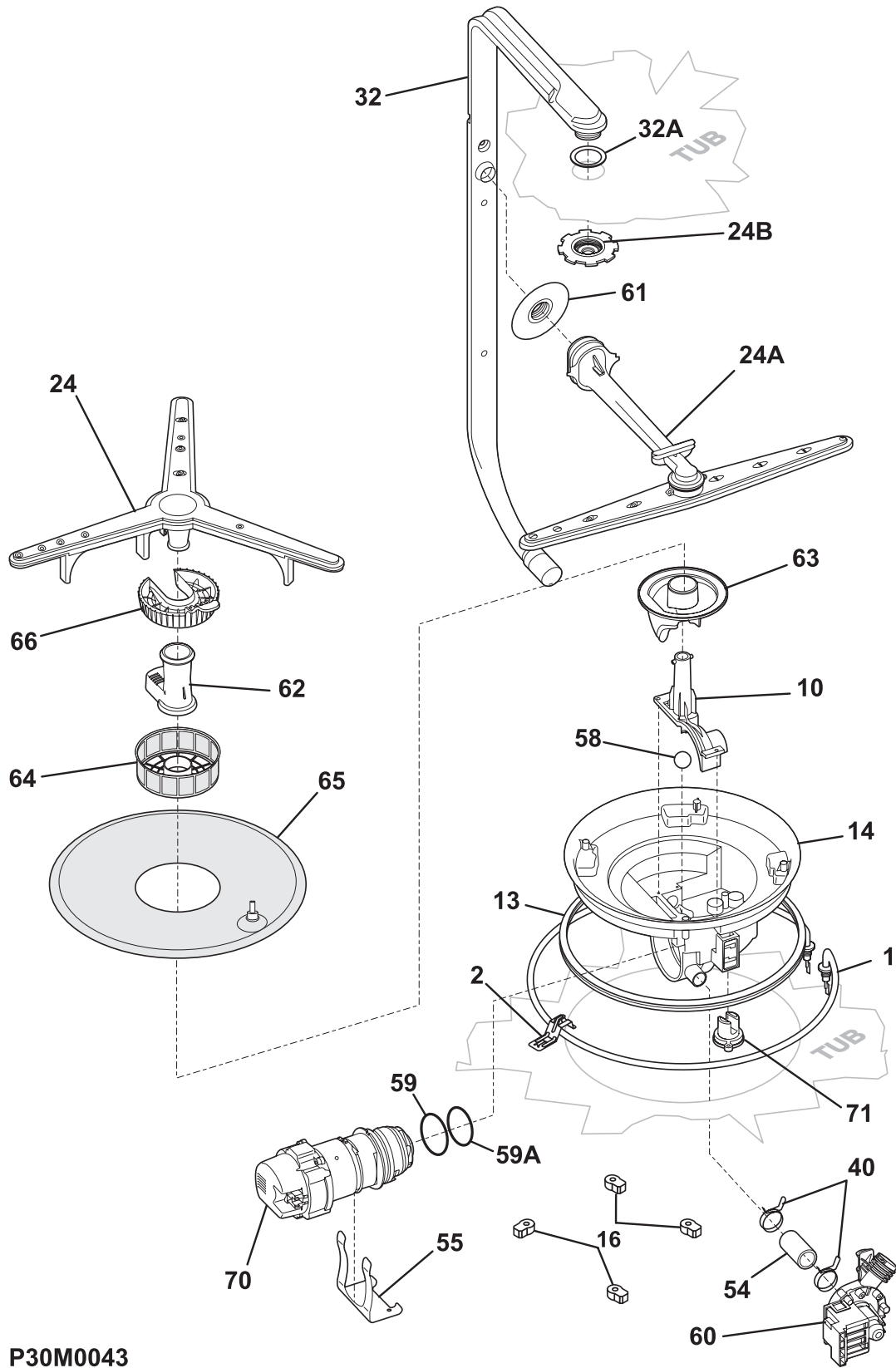


TUB

Model Index: A GLD4050RH (GLD4050RHB0)
 B GLD4050RH (GLD4050RHS0)

POS. NO	PART NO.		DESCRIPTION
1 #	154643301	A B	Tub assy, w/frame parts, white, & vent hole
2	154544601	A B	Strike, door
3 #	154561001	A B	Gasket, tub
4	154200602	A B	Screw, 10-16 x 3/8, hex
5	154333902	A B	Roller, tub
6	5303943103	A B	Screw, w/washer, (8)
9 #	154682301	A B	Vent assy, blower
9*	154691601	A B	Cover, connector, vent assy
9* #	154682201	A B	Harness, wiring, vent assy
10	154562902	A B	Bezel, vent, gray
22	154446002	A B	Tubing, water inlet
23	5303318539	A B	Clamp, tubing, (2)
24 #	154606701	A B	Hose, drain
25 #	154209701	A B	Float
28	154408701	A B	Switch Assy, float
29 #	154642901	A B	Thermostat, hi limit
30	154241101	A B	Retainer, thermostat
30*	154297701	A B	Screw, retainer-thermo
*	154528701	A B	Cabinet Seal Kit
*	154635001	A B	Insulation, blanket
*	154635101	A B	Insulation, back
*	154685101	A B	Gasket, tub, corner, (2)
*	154598801	A B	Foam, tub, (2)
*	5300807270	A B	Screw, (2), countertop mtg.
*	154041001	A B	Screw, plask #1, 10-10 x 9/16

MOTOR & PUMP



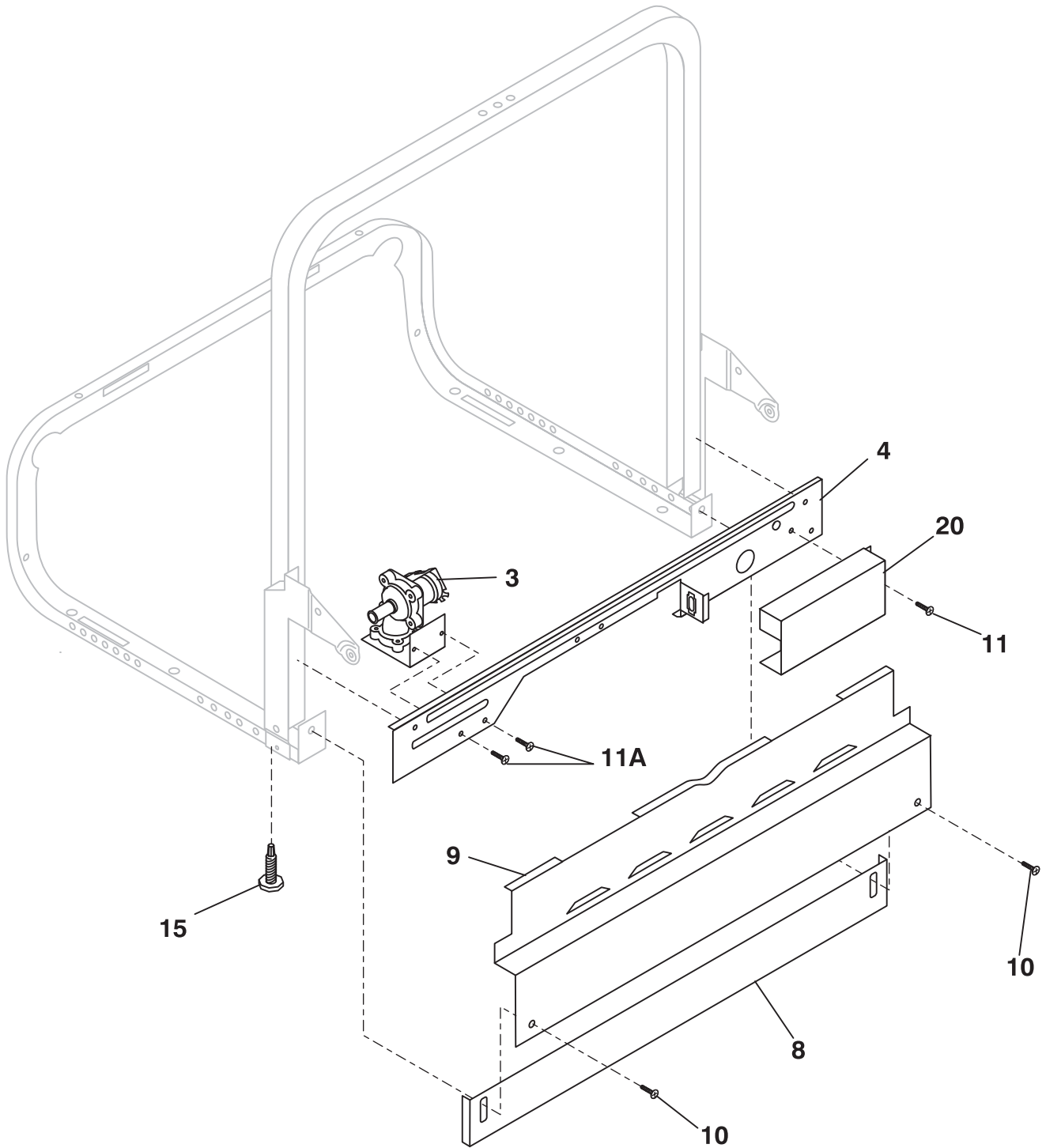
P30M0043

MOTOR & PUMP

Model Index: A GLD4050RH (GLD4050RHB0)
B GLD4050RH (GLD4050RHS0)

POS. NO	PART NO.		DESCRIPTION
1 #	154482901	A B	Heater, round
1*	154106202	A B	Nut, heater, (2)
1*	154289801	A B	Shield, heater terminal
2	154465101	A B	Bracket, heater, (2)
10	154245501	A B	Cover, volute
13	154246801	A B	Gasket, sump
14	154461902	A B	Housing, sump
16	154246502	A B	Retainer, sump
24	154467702	A B	Spray arm, grey, lower
24A	154468502	A B	Spray arm, grey, center
24B	154520601	A B	Nozzle, shower, assembly
32	154464101	A B	Tube, delivery
32*	154491101	A B	Screw, delivery tube
32A	154406401	A B	Gasket, delivery tube
40	154106801	A B	Clamp, hose, 1.29" open, worm gear, (2)
40*	154380601	A B	Clamp, hose, 1.5" open, worm gear, (5)
54	154491201	A B	Hose, connector, drain pump
55	154595901	A B	Bracket, motor
55*	5303316032	A B	Screw, truss ss, 8 .625, (7)
58	154246402	A B	Check ball
59	154246901	A B	O-ring, rear
59A	154247001	A B	O-ring, front
60 #	154580301	A B	Pump Assy, drain
61	154463402	A B	Grommet, delivery tube
62	154294102	A B	Support, spray arm, grey, lower
63	154252201	A B	Base, soil director
64	154252302	A B	Filter, soil director, grey
65	154283005	A B	Filter Assy, grey
66	154252702	A B	Trap, glass, grey
70 #	154683201	A B	Motor & Pump Assy
71 #	154473901	A B	Sensor, turbidity
71*	154376001	A B	O-ring, turbidity
*	154200601	A B	Screw, #10-16 x 3/8

FRAME



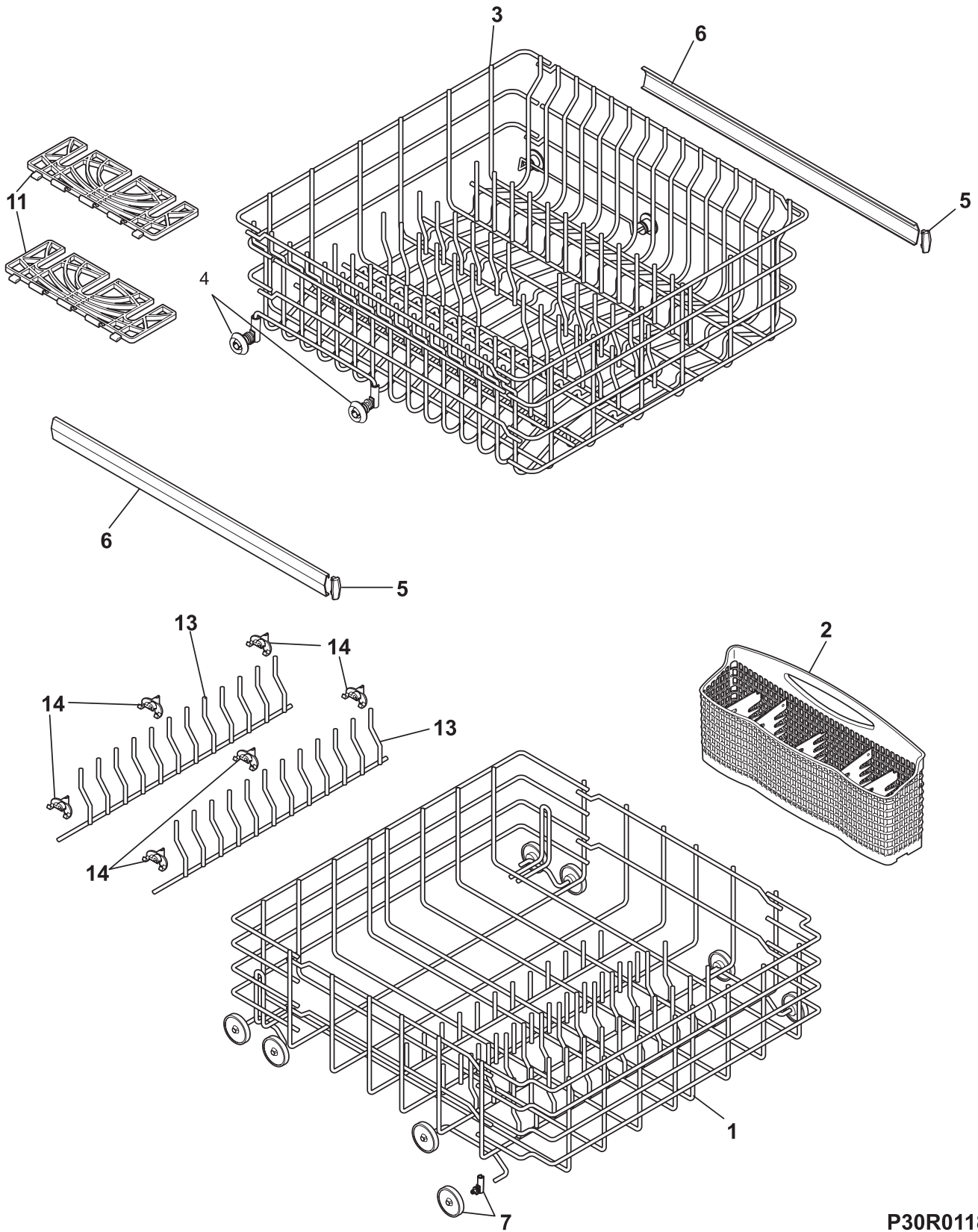
P30F0022

FRAME

Model Index: A GLD4050RH (GLD4050RHB0)
 B GLD4050RH (GLD4050RHS0)

POS. NO	PART NO.		DESCRIPTION
3 #	154637401	A B	Valve, water
4	154669301	A B	Brace, front frame
8	154589403	A -	Toeplate, adjustable, black
8	154589401	- B	Toeplate, adjustable, white
9	154589503	A -	Kickplate Assy, black
9	154589501	- B	Kickplate Assy, white
10	5300808658	A -	Screw, #8A x .375", black
10	154371301	- B	Screw, Phillips head, white
11	154200701	A B	Screw, #10-32 x 3/8
11A	154200601	A B	Screw, #10-16 x 3/8
15	154571101	A B	Leg, leveling, (4)
20	154597001	A B	Cover, junction box
*	154041001	A B	Screw, plask #1, 10-10 x 9/16
*	154200602	A B	Screw, 10-16 x 3/8, hex
*	154409401	A B	Screw, #8-18 x .375

RACKS



P30R0118

RACKS

Model Index: **A** GLD4050RH (GLD4050RHB0)
 B GLD4050RH (GLD4050RHS0)

POS. NO	PART NO.		DESCRIPTION
1	154432604	A B	Rack assy, lower, grey
2	154556102	A B	Basket, silverware, grey
3	154319529	A B	Rack assy, upper
*	154548303	A B	Nameplate, Frigidaire, grey, spacer
4	154522902	A B	Wheel & bushing assy, grey, upper rack, (8)
5	5304440996	A B	Cap, slide, grey, (4)
6	154597801	A B	Slide, rack, upper, (2)
7	154174503	A B	Wheel & bracket assy, grey, lower rack, (8)
11	154436104	A B	Shelf, cup, half width, grey
13	154425503	A B	Fence, fold down, grey, lower rack, (2), full length
14	154428402	A B	Bracket, fold down fence, grey, lower rack, (6)