

## Freezer

FFFC05M1TW

Manual Defrost  
5 Cu. Ft. Chest



### Product Dimensions

Height (Including Lid)	33-5/8"
Width	28-7/8"
Depth	20-11/16"

### Available in:



White  
(W)

## Signature Features

### StoreMore™ Removable Basket

Stay organized with our removable basket that can hold small frozen items when you need it, or be removed if you have large items that need to be stored.

### Adjustable Temperature Control

Select the correct temperature for your needs.

### Defrost Water Drain

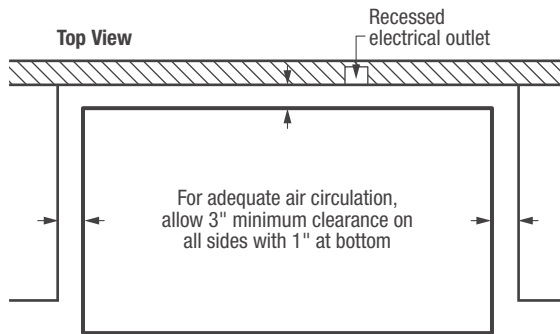
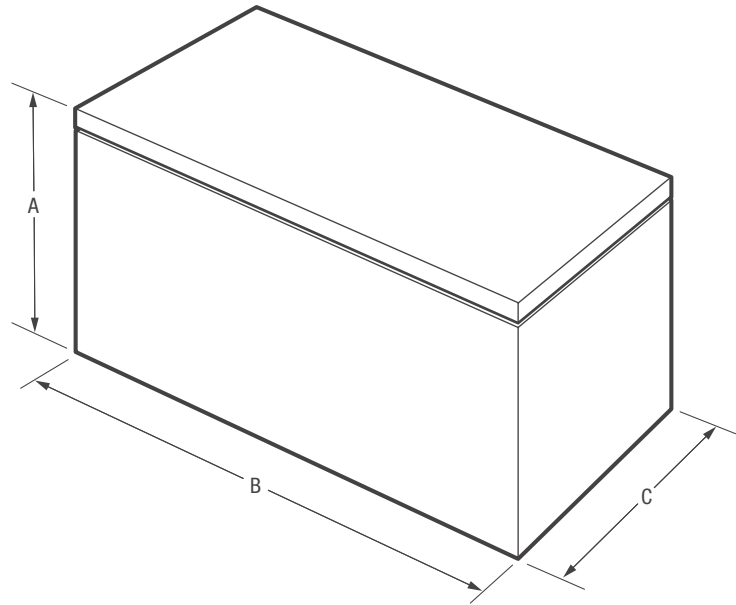
Use the drain to conveniently remove water during defrosting.

### Power-On Indicator Light

Know at a glance that your freezer is working.

Features	
Defrost	Manual
Adjustable Temperature Control	Yes
Interior Lighting	
Store-More™ Removable Baskets	1
Food Organization System	
Defrost Water Drain	Yes
Lid Handle	Yes
Lock with Pop-Out Key	
Power-On Light	Yes
Certifications	
CSA Rating	Household
Specifications	
Total Capacity (Cu. Ft.)	5
Annual Energy (kWh)	218
Annual Energy Cost (.1065/kWh)	\$26
Power Supply Connection Location	Left Bottom Rear
Voltage Rating	120V / 60Hz
Connected Load (kW rating) @ 120 Volts <sup>1</sup>	.6
Amps @ 120 Volts	5
Minimum Circuit Required (Amps)	15
Shipping Weight (Approx.)	71 Lbs.

<sup>1</sup>An electrical supply with grounded three-prong receptacle is required. The power supply circuit must be installed in accordance with national and local codes & ordinances.



*NOTE: For planning purposes only. Always consult local and national electric codes. Refer to Product Installation Guide for detailed installation instructions on the web at [frigidaire.ca](http://frigidaire.ca).*



Product Dimensions	
A - Height (Including Lid)	33-5/8"
B - Width	28-7/8"
C - Depth	20-11/16"
Height with Lid Open 90°	52"

Accessories information available on the web at [frigidaire.ca](http://frigidaire.ca)