



Freezer

FFFC18M6QW

Manual Defrost
18 Cu. Ft. Chest



Product Dimensions

| | |
|------------------------|---------|
| Height (Including Lid) | 34-3/8" |
| Width | 61-1/4" |
| Depth | 29-1/2" |

More Easy-To-Use Features

Defrost Water Drain

Use the drain to conveniently remove water during defrosting.

Colour-Coordinated Handle

Lock with Pop-Out Key

The freezer key automatically ejects after locking the door so you won't leave it in the door.

Adjustable Temperature Control

Select the correct temperature for your needs.

Available in:



White
(W)

Signature Features

SpaceWise® Organization System

Our SpaceWise® Organization System offers organizational solutions you can customize to fit your needs like our sliding plastic baskets with colour-coordinated clips, dividers and pizza basket.

SpaceWise® Adjustable Baskets with Colour-Coordinated Clips

Take organization to the next level with our heavy-duty adjustable plastic baskets with colour-coordinated clips that snap on and can be used to organize items by categories or purchase date so items are much easier to find.

Bright LED Lighting

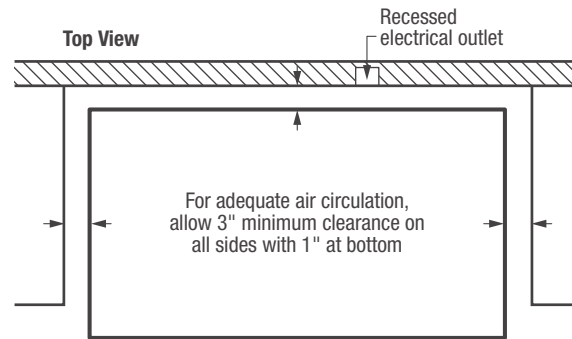
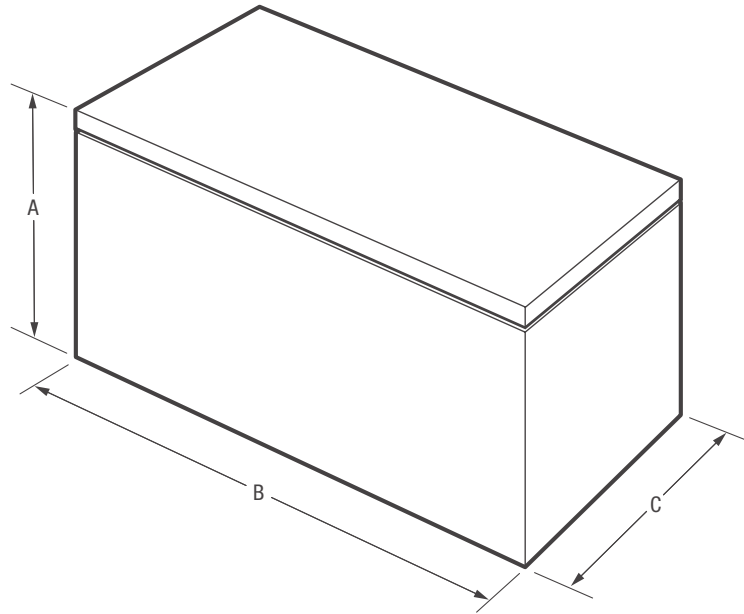
Our bright LED lighting makes it easy to see what's inside.

Power-On Indicator Light

Know at a glance that your freezer is working.

| Features | |
|--|---|
| Defrost | Manual |
| Adjustable Temperature Control | Yes |
| Interior Lighting | LED |
| SpaceWise® Sliding Plastic Baskets with Colour-Coordinated Clips | 1- Small Hanging Basket 1- Large Hanging Basket 1- Shallow Basket 1- Deep Basket |
| SpaceWise® Adjustable Dividers | Yes |
| Food Organization System | Yes |
| Defrost Water Drain | Yes |
| Lid Handle | Yes |
| Lock with Pop-Out Key | Yes |
| Power-On Light | Yes |
| Certifications | |
| CSA Rating | Household |
| Specifications | |
| Total Capacity (Cu. Ft.) | 17.5 |
| Annual Energy (kWH) | 331 |
| Annual Energy Cost (.12/kWH) | 40 |
| Power Supply Connection Location | Bottom Rear |
| Voltage Rating | 115V / 60Hz / 5A |
| Connected Load (kW rating) @ 115 Volts ¹ | .6 |
| Amps @ 115 Volts | 5 |
| Minimum Circuit Required (Amps) | 15 |
| Shipping Weight (Approx.) | 189 Lbs. |

¹An electrical supply with grounded three-prong receptacle is required. The power supply circuit must be installed in accordance with current local codes & ordinances.



NOTE: For planning purposes only. Always consult local and national electric codes. Refer to Product Installation Guide for detailed installation instructions on the web at frigidaire.ca.



| Product Dimensions | |
|----------------------------|---------|
| A - Height (Including Lid) | 34-3/8" |
| B - Width | 61-1/4" |
| C - Depth | 29-1/2" |
| Height with Lid Open 90° | 60-5/8" |

Accessories information available on the web at frigidaire.ca