

## Freezer

### FFFU13M1QW

Manual Defrost  
12.8 Cu. Ft. Upright



#### Product Dimensions

Height (Including Hinges)	62-3/16"
Width	29-5/8"
Depth (Including Door)	28-1/2"

#### More Easy-To-Use Features

Integrated Handle

Leveling Legs

Manual Defrost

Available in:



White  
(W)

<sup>1</sup>Average cabinet temperature as tested per AHAM standard HRF-1-2007 Section 7.9 at 70 degrees with door remaining closed.

## Signature Features

### Built with American Pride

Appliances that are high-performing, more accessible, and more innovative than ever — designed, built, and engineered in the U.S.A.

### Thicker Walls

Keeps food frozen for over 2 days if there is a power outage.<sup>1</sup>

### Adjustable Temperature Control

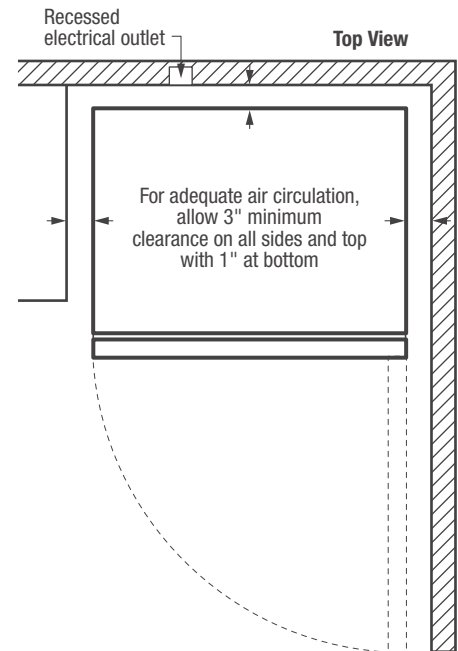
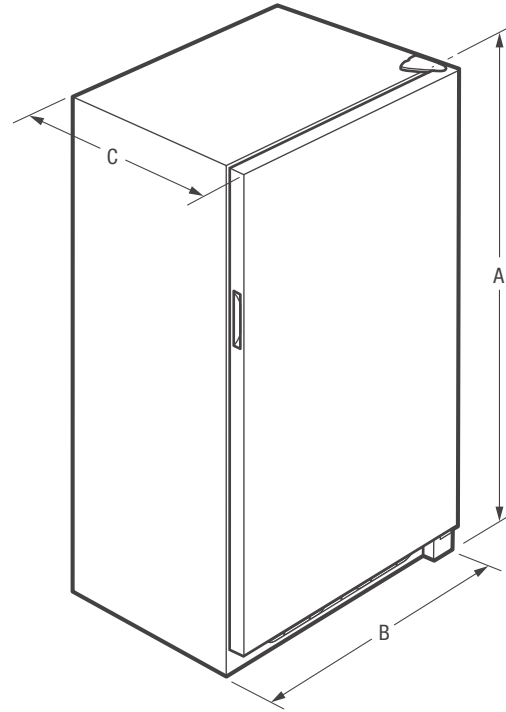
Select the correct temperature for your needs.

### Dial Controls

Easily accessible dial controls that will stand the test of time.

Features	
Door Handle Design	Integrated
Reversible Door	
Automatic Door Closer	
Leveling Legs	Yes
Lock with Pop-Out Key	
Defrost	Manual
Adjustable Temperature Control	Mechanical Dial
High-Temp Alarm	
Door Ajar Alarm	
Interior Lighting	
Full-Width Adjustable Shelves	
Full-Width Fixed Shelves	3 Wire
Removable Trivet	
Mid-Level Baskets	
Lower Storage Basket	
Basket Dividers	
Full-Width Door Bins	
Fixed Door Racks	5
Defrost Drain	
Power-On Light	
Certifications	
CSA Rating	Household
Specifications	
Total Capacity (Cu. Ft.)	12.8
Shelf Area (Sq. Ft.)	7.6
Annual Energy (kWH)	318
Annual Energy Cost (.12/kWH)	\$38
Power Supply Connection Location	Lower Right Rear
Voltage Rating	115V, 60Hz
Connected Load (kW rating) @ 115 Volts <sup>1</sup>	.60
Amps @ 115 Volts	5
Minimum Circuit Required (Amps)	15
Shipping Weight (Approx.)	154 Lbs.

<sup>1</sup>An electrical supply with grounded three-prong receptacle is required. The power supply circuit must be installed in accordance with current edition of National Electrical Code (NFPA 70) and local codes & ordinances.

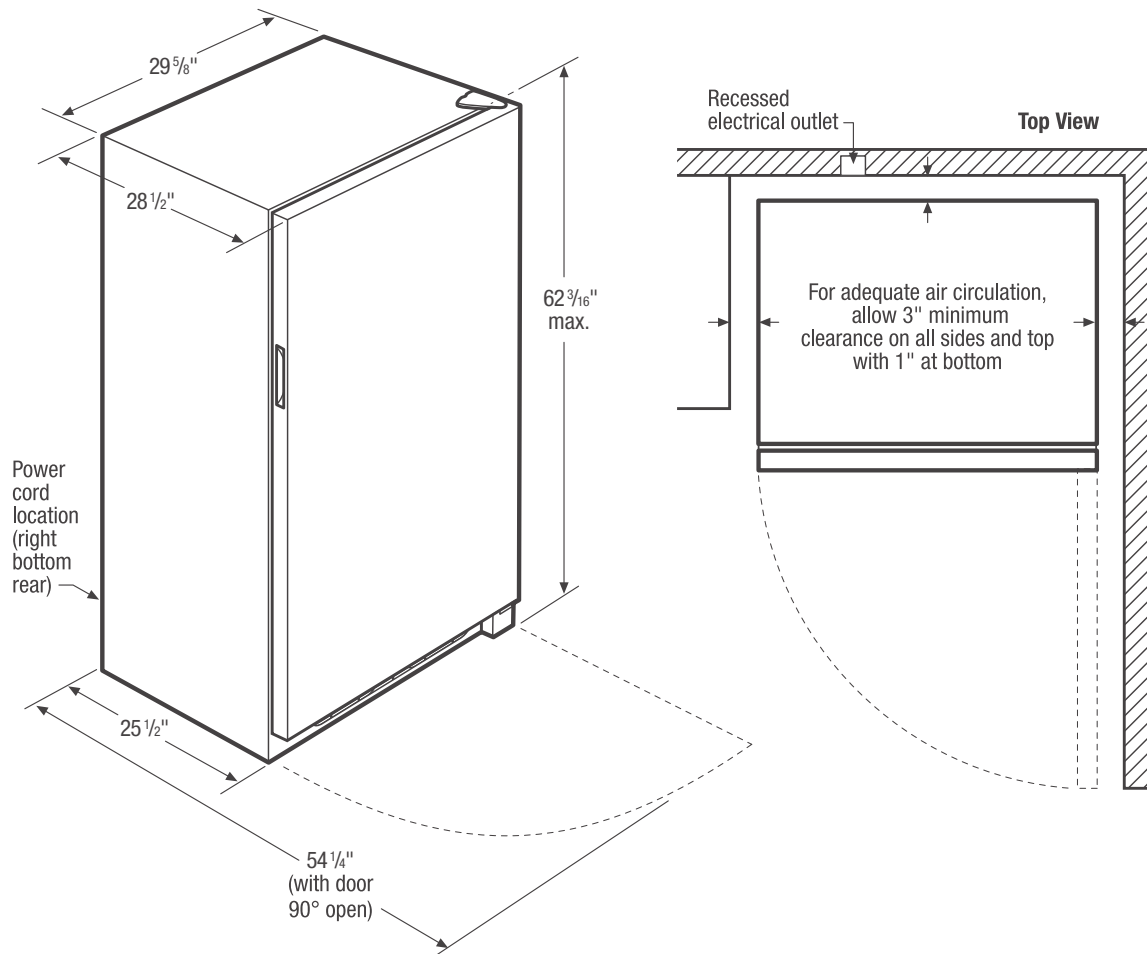


NOTE: For planning purposes only. Always consult local and national electric codes. Refer to Product Installation Guide for detailed installation instructions on the web at [frigidaire.com](http://frigidaire.com).



Product Dimensions	
A - Height (Including Hinges)	62-3/16"
B - Width	29-5/8"
C - Depth (Including Door)	28-1/2"
Depth with Door Open 90°	54-1/4"

Accessories information available on the web at [frigidaire.com](http://frigidaire.com)



### Upright Freezer Specifications

- Product Shipping Weight (approx.) - 154 Lbs.
- An electrical supply with grounded three-prong receptacle is required. The power supply circuit must be installed in accordance with current edition of *National Electrical Code (NFPA 70)* and local codes & ordinances.
- Voltage Rating - 115V, 60Hz
- Connected Load (kW Rating) @115 Volts = 0.6 kW
- Amps @115 Volts = 5 Amps
- Always consult local and national electric codes.
- For adequate air circulation, allow 3" minimum clearance on all sides and top with 1" at bottom.

- Locate where surrounding air temperature will not exceed 110°F, to ensure optimum performance. (Temperatures 32°F and below will NOT affect operation.)
- All bottom corners of unit MUST rest firmly on solid level surface of hard material, same height as flooring. Surface must be strong and stable enough to support unit when fully loaded.
- Equipped with adjustable leveling legs to ensure unit is level, which is required in order to function properly.

**Note:** For planning purposes only. Refer to *Product Installation Guide on the web at [frigidaire.com](http://frigidaire.com) for detailed instructions.*