

PERFORMANCE DATA NO LOAD & NO DOOR OPENINGS AT MID-POINT CONTROL SETTING

Capacitor Run or Induction Run	70°F (21°C) Ambient	90°F (32°C) Ambient
Operating Time	40 to 50%	55 to 65%
Freezer Temperature	-3° to 3° F -19° to -16° C	-3° to 3° F -19° to -16° C
Low Side Pressure (cut-in)	6 to 12 psig 41 to 83 kPa	6 to 12 psig 41 to 83 kPa
Low Side Pressure (cut-out)	-1 to 3 psig -4 to 21 kPa	-1 to 3 psig -4 to 21 kPa
High Side Pressure (last 1/3 cycle)	85 to 100 psig 575 to 670 kPa	120 to 135 psig 810 to 910 kPa
Wattage (last 1/3 cycle)	100 to 120	110 to 130
Amps (running)	.9 to 1.1	1.0 to 1.2
Base Voltage	115 vac (127 vac max)	

DEFROST SPECIFICATIONS

Cabinet Size	Thermostat		Heater	
	Cut-in	Cut-out	Watts	Ohms
19'	21° F (-6° C)	42° F (6° C)	550	24

Electronic Timer - Defrost 30 minutes every 12 hours of compressor run time.

CONDENSER FAN MOTOR

Watts	RPM	Amps
2.3	1100 CW Opposite Shaft	0.13 Running

ICE MAKER SPECIFICATIONS

Electrical	115 vac (127 vac max) 60 Hertz
Thermostat	Opens at 48° F (9° C), Closes at 15° F (-9° C) Models with orange wire close at 8.96° F (-12.8° C)
Heater Wattage	165

ICE MAKER CONNECTOR PLUG CONNECTIONS

Wire Number	Wire Color	Connects to:
1	Green/Yellow	Ground
2	Yellow	Water Valve
3	Black	Line
4	Light Blue	Neutral

IMPORTANT: PLEASE RETURN THIS SHEET TO IT'S ORIGINAL LOCATION

SERVICE DATA SHEET - 297299800

STANDARD - AUTOMATIC DEFROST FREEZER MODELS (R134a)

IMPORTANT SAFETY NOTICE

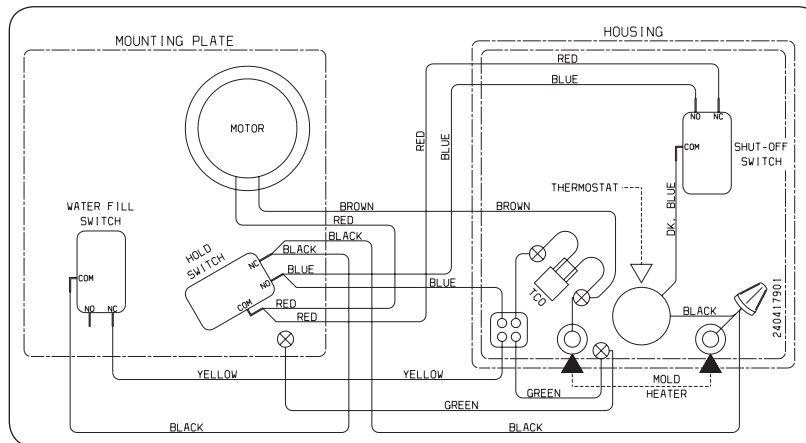
The information provided herein is designed to assist qualified repair personnel only. Untrained persons should not attempt to make repairs due to the possibility of electrical shock. Disconnect power cord before servicing.

IMPORTANT

If any green grounding wires are moved during servicing, they must be returned to their original position and properly secured.

CAUTION: All electrical parts and wiring must be shielded from torch flame. Do not allow torch to contact insulation; it will char at 200°F.

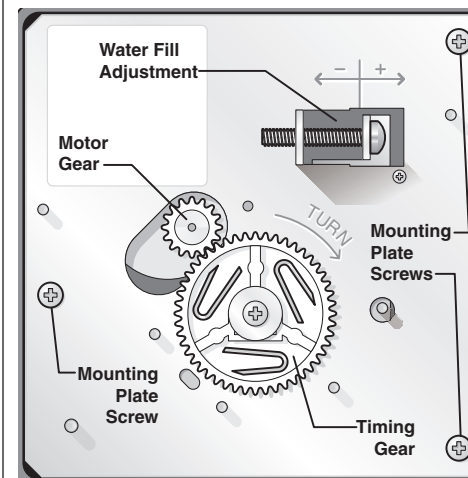
NOTE: Products come equipped with an Electronic Defrost Control. To initiate defrost, press and hold air filter and alarm reset key simultaneously for three seconds. To terminate defrost, press and hold air filter and alarm reset key simultaneously for three seconds



ICE MAKER INFORMATION

Test Cycling

Remove cover by inserting screwdriver in notch at bottom and prying cover from housing. Use screwdriver to rotate motor gear counterclockwise until holding switch circuit is completed. All components of ice maker should function to complete the cycle.



Water Fill Volume

The water fill adjustment screw will change the fill time. One full turn is equal to 20cc (.68 oz.). The correct fill is 95 to 105cc (3.2 to 3.6 oz.). When a water valve is replaced, the fill volume must be checked.

