



Downdraft Vent

PL36DD50E C

36" Stainless Steel



Features

Nominal Width	36"
Installation Type	Downdraft
Vent Motor Location	In Cabinet
Air Discharge	Down
Air Delivery (CFM)	500
Intake Area	7"
Controls	Electronic Push Button
Blower Type	Centrifugal
Infinite-Speed Blower	Yes
Dishwasher Safe Stainless Steel Filters	2
Exhaust Duct	External
Duct Required	3-1/4" x 10"

Accessories

36" Top Trim Kits	Optional
White - PN# HT2736W	
Black - PN# HT2736B	

Specifications

Color -	
Stainless Steel	C
Overall Exterior Dimensions -	
Width	36"
Height (Including 7" Rise)	29-1/2"
Depth	7"
Voltage Rating	120V / 60Hz / 15A
Connected Load (kW Rating) @ 120 Volts†	0.48
Motor Power Cord Location	Right Middle Side
Shipping Weight (Approx.)	85 Lbs.

†For use on adequately wired 120V, dedicated circuit having 2-wire service with a separate ground wire. Appliance must be grounded for safe operation.

NOTE: Always consult local and national electric codes. Check local building codes for installation requirements, as they may vary per locale. Refer to Product Installation Guide for detailed installation instructions on the web at frigidaire.com.

Specifications subject to change.

Available in:



Stainless
(C)

Signature Features



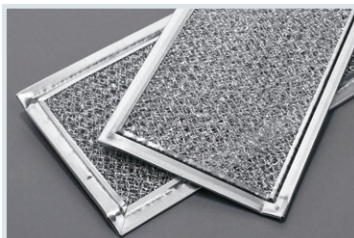
Infinite-Speed Blower Control

The ultraquiet blower allows you to dial in the precise airflow needed.



Push-Button Auto Raise/Lower

When activated, the downdraft rises 10" to capture even the most stubborn cooking odors. Can be vented through wall or roof.



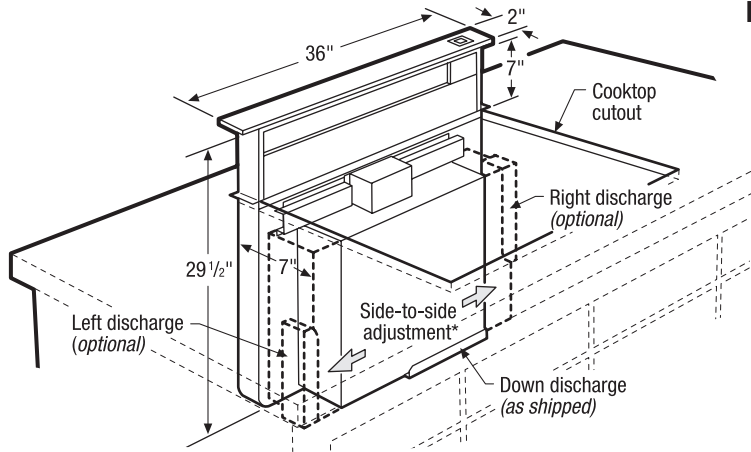
Dishwasher-Safe Filters

Filters remove even the most persistent cooking odors and clean up easily by cycling through your dishwasher.



Top Trim Kit

Color coordinate your Downdraft Ventilation System with a black or white trim kit.

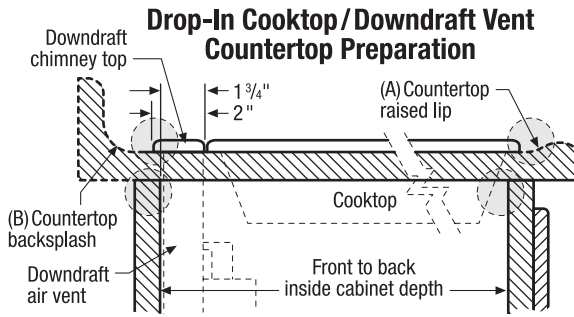
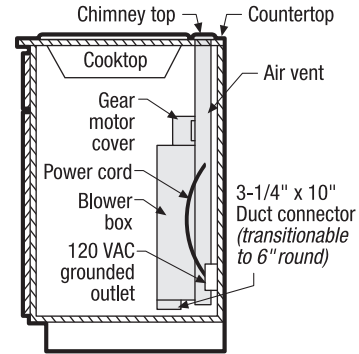


*Blower can be adjusted to allow for accurate alignment of ductwork to floor joists, wall studs, electrical wiring or plumbing

Drop-In Cooktop/Downdraft Vent Typical Installation

Downdraft vent can be mounted in island, peninsula or conventional wall locations.

Cutout template provided, packed with vent.



Cooktop Installation Note:

To ensure proper installation, refer to model-specific installation guide on web for cooktop dimensions, cutout dimensions and cabinet requirements. Due to varying cooktop depths, tight fit is possible between cooktop and vent.

Countertop Preparation Note:

Be aware of areas of potential interference called out in illustration. Countertop with (A) raised lip and/or (B) backsplash may not allow enough flat area for proper installation, 2" of flat countertop required behind cooktop and 1-3/4" necessary between back edge of cooktop and inside of cabinet back. Minimum of 1/32" to 1/16" gap needed between back of cooktop and front of vent's chimney top to ensure adequate clearance for air vent to be raised and lowered.

Downdraft Vent Specifications

- Voltage Rating - 120V/60Hz/15 Amps
- Connected Load (kW Rating) @ 120 Volts = 0.48kW (For use on adequately wired 120V, dedicated circuit having 2-wire service with a separate ground wire. Appliance must be grounded for safe operation.)
- Amps @ 120 Volts = 4.0 Amps
- Do not use same circuit as cooktop.
- Always consult local and national electric codes. Check local building codes for installation requirements, as they may vary per locale.
- Locate grounded electrical outlet for 2'-long power cord within reachable distance. When installing vent in 36"- wide cabinet, outlet cannot be located on back wall of cabinet, but can be wall-mounted with access hole in cabinet.
- Vent unit outside of building only.
- Exhaust Duct Required - 3-1/4"x10" (3-1/4"x10" to 6"-round transition duct can be used if needed)
- Three different blower discharge directions available. Unit ships with discharge facing down and can be changed if needed.
- Vent must be installed in vertical orientation only and can be installed in island, peninsula or conventional wall locations. (Cutout template provided, packed with vent.)
- Consider possible interferences before cutting hole in cabinet for ductwork location. Blower can be adjusted side-to-side to allow for accurate alignment of ductwork to floor joists, wall studs, electrical wiring or plumbing.
- Countertop with raised lip and/or backsplash may not allow enough flat area for proper installation, 2" of flat countertop required behind cooktop and 1-3/4" necessary between back edge of cooktop and inside of cabinet back.
- Minimum of 1/32" to 1/16" gap needed between back of cooktop and front of vent's chimney top to ensure adequate clearance for air vent to be raised and lowered.

- For most efficient airflow exhaust, choose ducting option which allows for shortest length of ductwork having fewest elbows and transitions.
- Do not use flexible duct. Round duct instead of rectangular duct recommended, especially when elbows are required.
- Thermal breaks such as short section of nonmetallic duct, should be used in areas of extreme cold.
- Cold weather installations should have additional backdraft damper installed.
- Installing a Downdraft Vent in combination with any gas cooking surface will affect optimum burner efficiency when blower is operated at higher speeds.
- Downdraft Vent can NOT be used in combination with any cooktop backsplash.
- Downdraft Vent model PL36DD50E is approved to be used in combination with any Frigidaire® 36" gas or electric Drop-In Cooktop. (For detailed countertop preparation, refer to Drop-In Cooktop/Downdraft Vent Countertop Preparation on this page and Downdraft Vent installation guide on web.)
- To ensure proper Cooktop/Downdraft Vent installation, refer to model-specific cooktop installation guide on web for cooktop dimensions, cutout dimensions and cabinet requirements. Due to varying cooktop depths, tight fit is possible between cooktop and vent.

Note: For planning purposes only. Refer to Product Installation Guide on the web at frigidaire.com for detailed instructions.

Optional Accessories

- 36" Top Trim Kit: Black (PN# HT2736B), White (PN# HT2736W).

Accessories information available on the web at frigidaire.com

FRIGIDAIRE

USA • 10200 David Taylor Drive • Charlotte, NC 28262 • 1-800-FRIGIDAIRE • frigidaire.com
 CANADA • 5855 Terry Fox Way • Mississauga, ON L5V 3E4 • 1-800-265-8352 • frigidaire.ca
 PL36DD50E 07/10

© 2010 Electrolux Home Products, Inc.



Specifications subject to change.

Printed in the U.S.A.