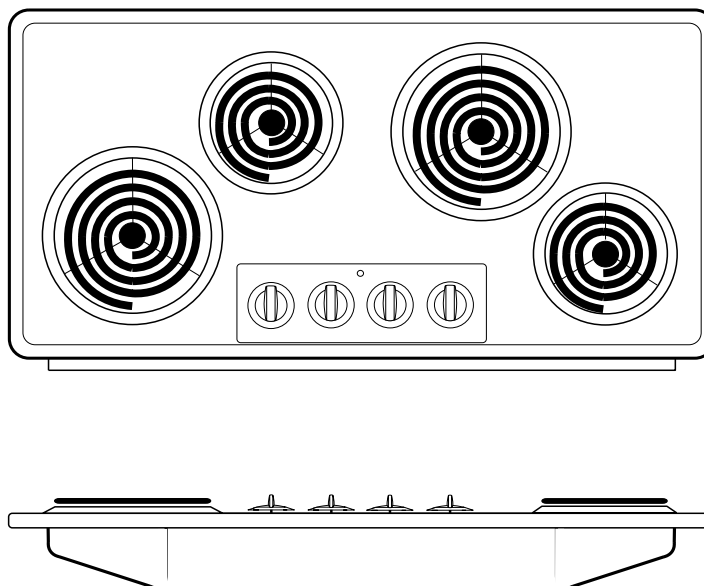


FACTORY PARTS CATALOG RANGE

Frigidaire



PRODUCT NO.	BASE MODEL NO.	FACTORY NO.	COLOR	MARKET
FEC36C2AQA	FEC36C2A	3805441141041	bisque	North America
FEC36C2ASA	FEC36C2A	3805441141011	white	North America

WIRING DIAGRAM - # 318046901
 OWNER'S GUIDE - # 318200612
 INSTALLATION INSTRUCTIONS - # 318201410

 **Electrolux**

ELECTROLUX HOME PRODUCTS NORTH AMERICA
 P.O. BOX 212378, Augusta, GA 30917

Publication No.
 5995361507
 011129
 -EN/SERVICE /ECL
 377

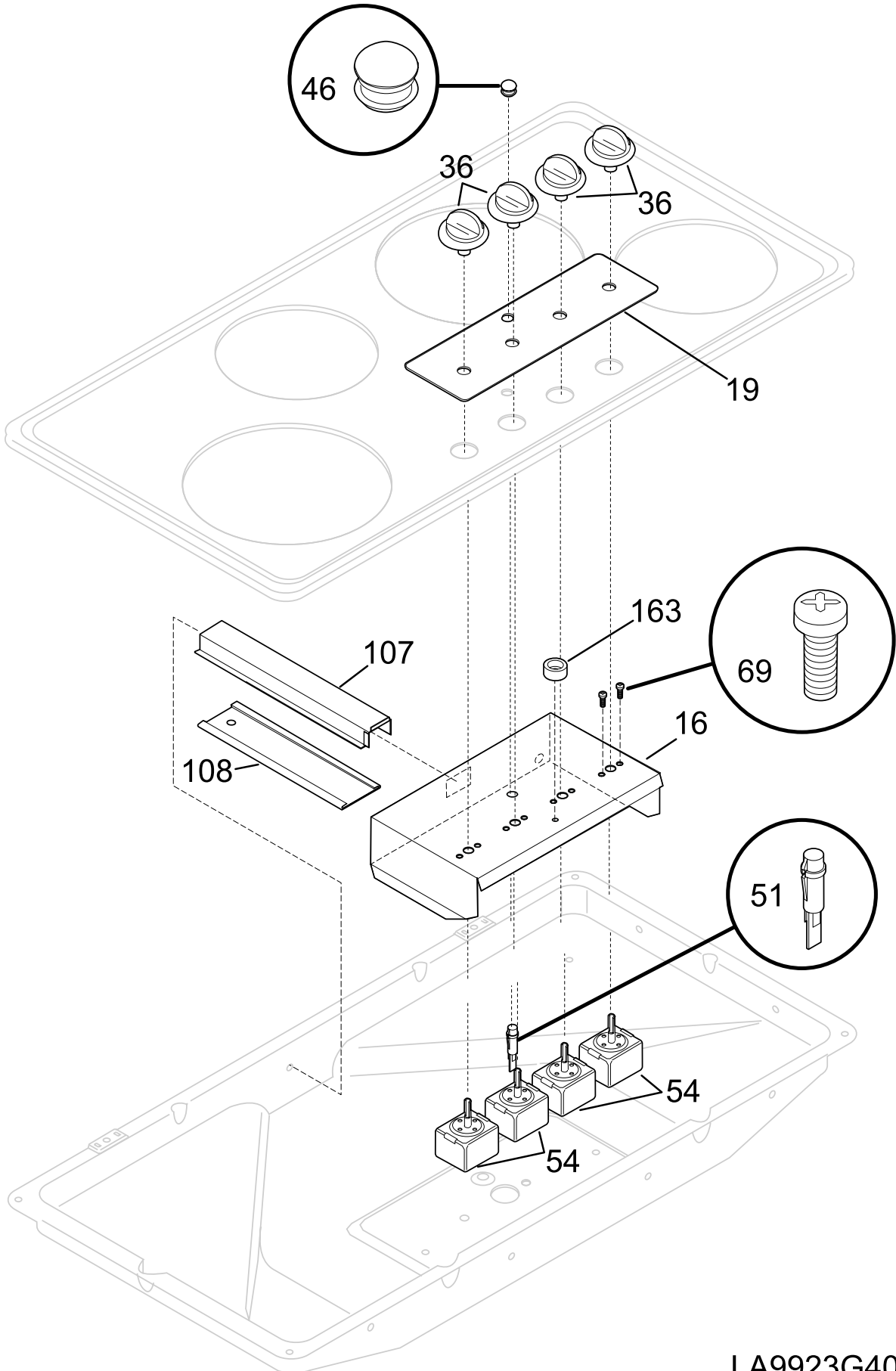
ELECTRIC

COOKTOP

**Model No.
 FEC36C2A**

©2001 White Consolidated Industries, Inc.
 All rights reserved

CONTROL PANEL



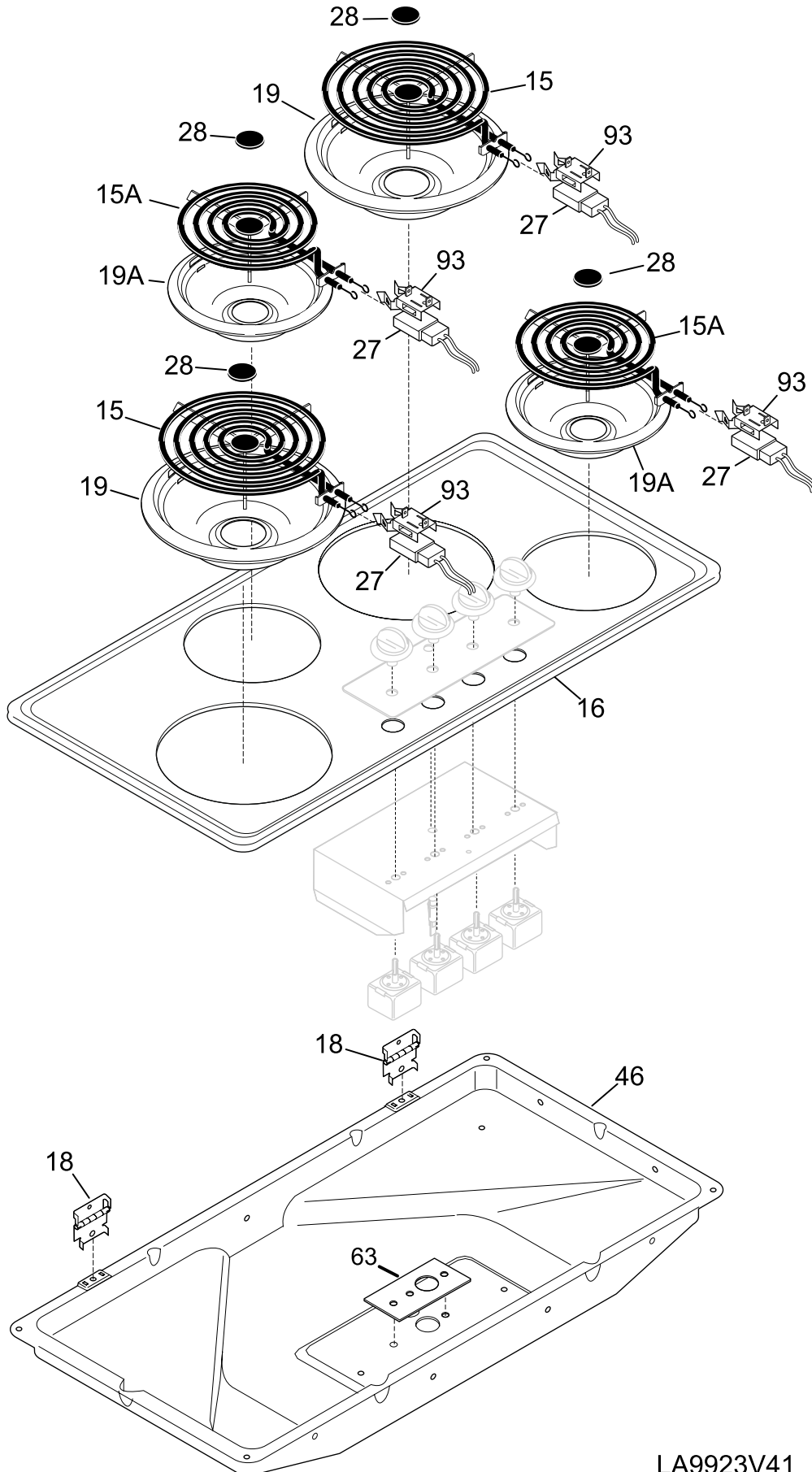
LA9923G40A

CONTROL PANEL

A = FEC36C2A (FEC36C2ASA)
B = FEC36C2A (FEC36C2AQA)

POS. NO	PART NO		DESCRIPTION
16	5303291327	A B	Plate,instrument mtg
19	318021004	A -	Panel,control ,white
19	318021005	- B	Panel,control ,bisque
36	318196603	A -	Knob,control ,white
36	318196605	- B	Knob,control ,bisque
46	5303297274	A B	Lens,indicator light
51 #	318044822	A B	Light,indicator ,clear
*	5303272289	A B	Seal,indicator light
54 #	318120509	A B	Switch,surface unit
*	318146010	A B	Bushing,switch
69	5303323134	A B	Screw,switch mtg. ,8-32 x 0.188
107	5303325928	A B	Housing,wire feed
108	5303325931	A B	Housing,bottom slide
163	318014100	A B	Spacer
*	3051070	A B	Screw,hex washer head ,10-24 x 0.438 ,special
*	5303311306	A B	Screw,8-18 x 0.375
*	5303311532	A B	Screw,6-32 x 1/4" ,back

MAINTOP / SURFACE UNITS



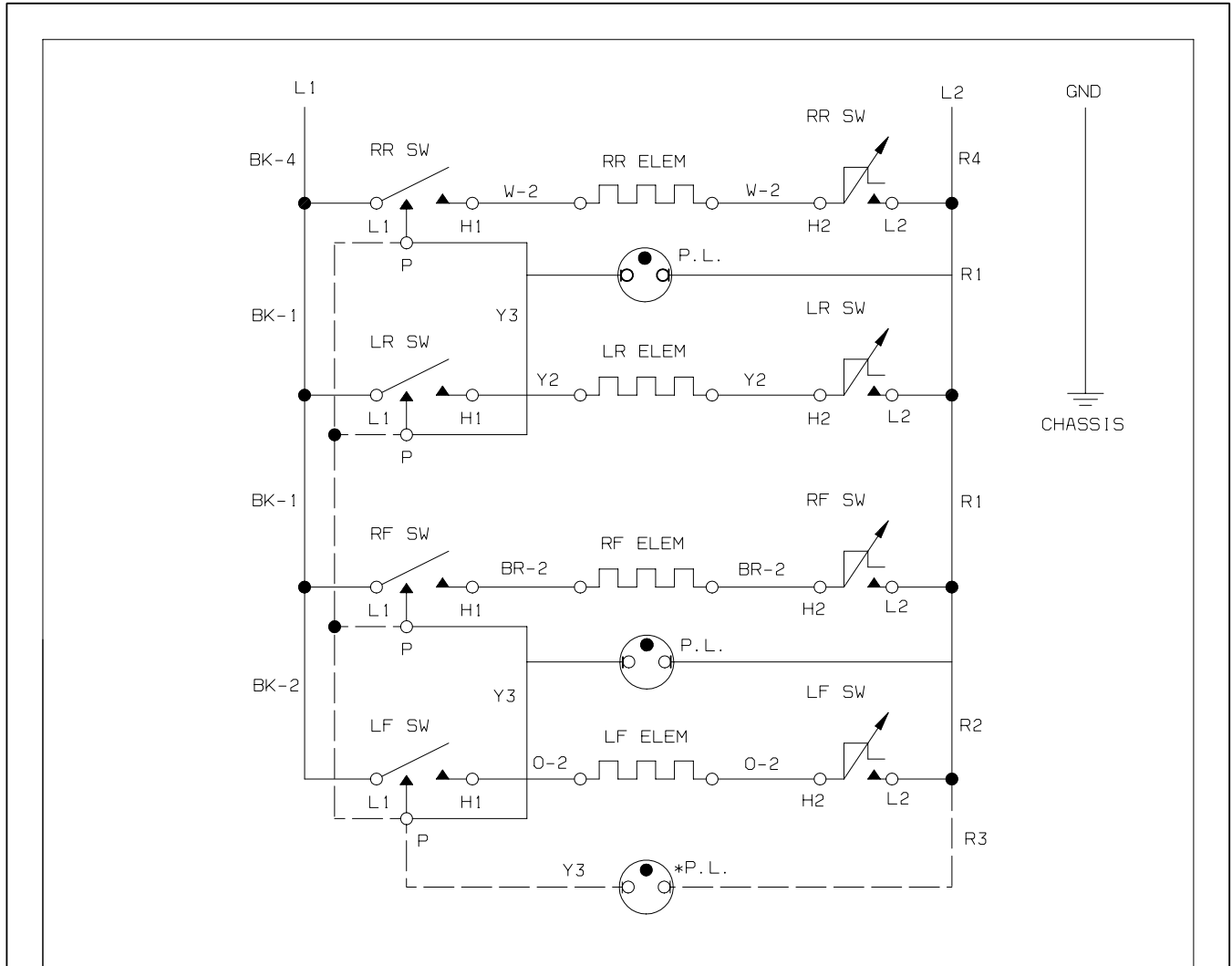
LA9923V41

MAINTOP / SURFACE UNITS

A = FEC36C2A (FEC36C2ASA)
B = FEC36C2A (FEC36C2AQA)

POS. NO	PART NO		DESCRIPTION
15 #	5303311320	A B	Element,surface ,large/8 inch
15A#	5303015716	A B	Element,surface ,small/6 inch
16	318159041	A -	Main Top,white
16	318159044	- B	Main Top,bisque
18	318074310	A B	Hinge,maintop ,(2)
19 #	318067056	A B	Pan,surface element ,large ,chrome
19A#	318067046	A B	Pan,surface element ,small ,chrome
27 #	5303323704	A B	Terminal Block,surface element
28	5303309002	A B	Medallion,surface element ,center trim
46	318077121	A B	Burner Box
63	5303291326	A B	Plate,grounding
93	5303304731	A B	Bracket,terminal block
*	5303311321	A B	Box & wires assy
*	5303300195	A B	Screw,10-32 x 0.375 ,terminal block ,(2)
*	5303311532	A B	Screw,6-32 x 1/4" ,back
*	5303323140	A B	Screw,ground ,10-32 x 0.375
*	5303324001	A B	Spacer
*	5303324512	A B	Screw,6-32 x 5/16
*	5304403070	A B	Screw

WIRING DIAGRAM



COLORS / COULEURS		LEGEND / LEGENDE	
BL.	- BLUE / BLEU	SW.	SWITCH / INTERRUPTEUR
BR.	- BROWN / BRUN	L.R.	LEFT REAR / ARRIERE GAUCHE
R.	- RED / ROUGE	L.F.	LEFT FRONT / AVANT GAUCHE
Y.	- YELLOW / JAUNE	R.R.	RIGHT REAR / ARRIERE DROIT
BK.	- BLACK / NOIR	R.F.	RIGHT FRONT / AVANT DROIT
W.	- WHITE / BLANC	P.L.	PILOT LIGHT / LAMPE TMOIN
O.	- ORANGE / ORANGE		
C.	- COPPER / CUIVRE		
P.	- PINK / ROSE		
V.	- VIOLET / VIOLET		
G.	- GREEN / VERT		
PR.	- PURPLE / POURPRE		

COLOR WIRE NO./NO. FIL DE COULEUR	WIRE	GAGE	TEMP. °C	UL STYLE
(W/BL-1)	FIL	CALIBRE	TEMP. °C	STYLE UL
	1	14	150°C	3321
TRACER WIRE: WIRE COLOR NOTED FIRST, STRIPE NEXT. EXAMPLE: WHITE WIRE WITH BLUE STRIPE.	2	16	150°C	3321
FIL LIGNE: COULEUR DU FIL NOTE EN PREMIER, LA LIGNE APRES. EXEMPLE: FIL BLANC AVEC LIGNE BLEU.	3	18	150°C	3321
	4	12	150°C	3321

NOTE:

- SERVICE: IF REPLACEMENT OF LEAD WIRE BECOMES NECESSARY USE EQUIVALENT WIRE TYPE, GAGE AND TERMINALS.
- SERVICE: SI LE REMPLACEMENT DE FILS EST NECESSAIRE, VEUILLEZ UTILISER DES FILS DE MEME TYPE DE MEME CALIBRE ET DE MEME COSSES.
- **MODEL WITH 1 PILOTE LIGHT(-----).
- **MODELE AVEC 1 LAMPE TMOIN(-----).

WARNING/ATTENTION
DISCONNECT POWER BEFORE SERVICING UNIT.
COUPER LE COURANT AVANT D'EFFECTUER UNE REPARATION.
USE COPPER WIRE ONLY.
UTILISER SEULEMENT DU FIL DE CUIVRE.

318046901 REV. C