



Built-In Cooktop

FPCC3685K S

36" Induction Hybrid



Signature Features



More Energy-Efficient

Cooking with induction is 70% more efficient than gas and 20% more efficient than electric.



More Responsive

Cooking with induction is more responsive than gas or electric so you can easily go from simmer to boil.



Cookware Compatibility

Cooktops include a combination of electric elements that are compatible with all cookware, and induction elements that are compatible with most stainless steel and cast iron cookware. If a magnet sticks to the bottom of a pot or pan, it is induction-friendly.



10" and 6" Induction Elements

With two powerfully efficient induction elements, plus up to three electric elements, the Induction Hybrid Cooktop offers the utmost cooking flexibility. And the 10" induction element offers 3,400 watts of power, so you can bring water to a boil quickly.

Product Dimensions

Width	36-3/4"
Depth	21-1/2"
Height	4-3/8"

More Easy-To-Use Features

Cooking Versatility

Gentle enough to melt chocolate and powerful enough to boil water, so it's great for entertaining or getting dinner on the table quickly.

PowerPlus® Boost

Generates rapid heat for a quicker boil.

Exceptional Temperature Control

Adjust heat with greater accuracy than on gas or electric cooktops especially at lower settings.

Pro-Select® Controls

Precise control at your fingertips.

SpaceWise® Bridge Element

A flexible element lets you combine two 7" elements into one to fit larger cookware.

Cooktop Stays Cooler

With induction cooking, heat is transferred directly to the cookware, so the cooktop stays cooler to the touch—making it easier to clean.

Smoothtop Ceramic Glass Cooking Surface

Hot Surface Indicators

Available in:



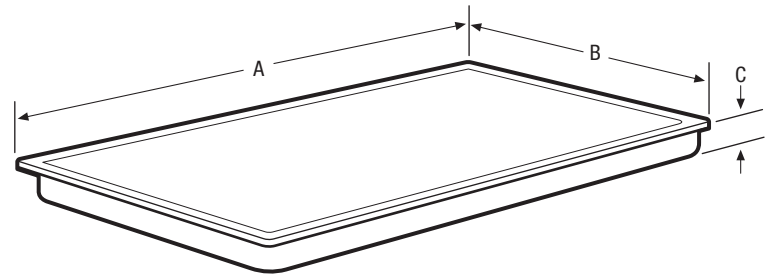
Stainless
(S)

Elements	Size	Watts
Right Front	Induction 10"	2,500/3,400
Right Rear	Induction 6"	1,500/1,900
Left Front	Electric 7"	1,800
Left Rear	Electric 7"	1,800
Left Bridge	SpaceWise® Bridge	800
Center	Electric 6"	1,200

Features	
Controls	Pro-Select®
Surface Type	Black Ceramic Glass
Right Front Element (Watts)	Induction 10" - 2,500 / 3,400
Right Rear Element (Watts)	Induction 6" - 1,500 / 1,900
Left Front Element (Watts)	Electric 7" - 1,800
Left Rear Element (Watts)	Electric 7" - 1,800
Left Bridge Element (Watts)	SpaceWise® Bridge - 800
Center Element (Watts)	Electric 6" - 1,200
Hot Surface Indicators	Yes
Control Location	Right Side
Knob Color	Stainless
Knob Type	Cast Metal
Specifications	
Power Supply Connection Location	Right Rear
Voltage Rating	240V / 208V / 60Hz
Connected Load (kW Rating) @ 240 / 208 Volts ¹	9.4 / 7.5
Amps @ 240 / 208 Volts	39.2 / 36.1
Minimum Circuit Required (Amps)	40
Approved for Electric Single Wall Oven Combination Installation ²	Yes
Shipping Weight (Approx.)	65 Lbs.

¹Single phase 3- or 4-wire cable, 120/240 or 120/208 Volt, 60 Hertz AC only electrical supply with ground required on separate circuit fused on both sides of line.

²Cooktops are approved for installation above any of our Electric Single Wall Ovens.



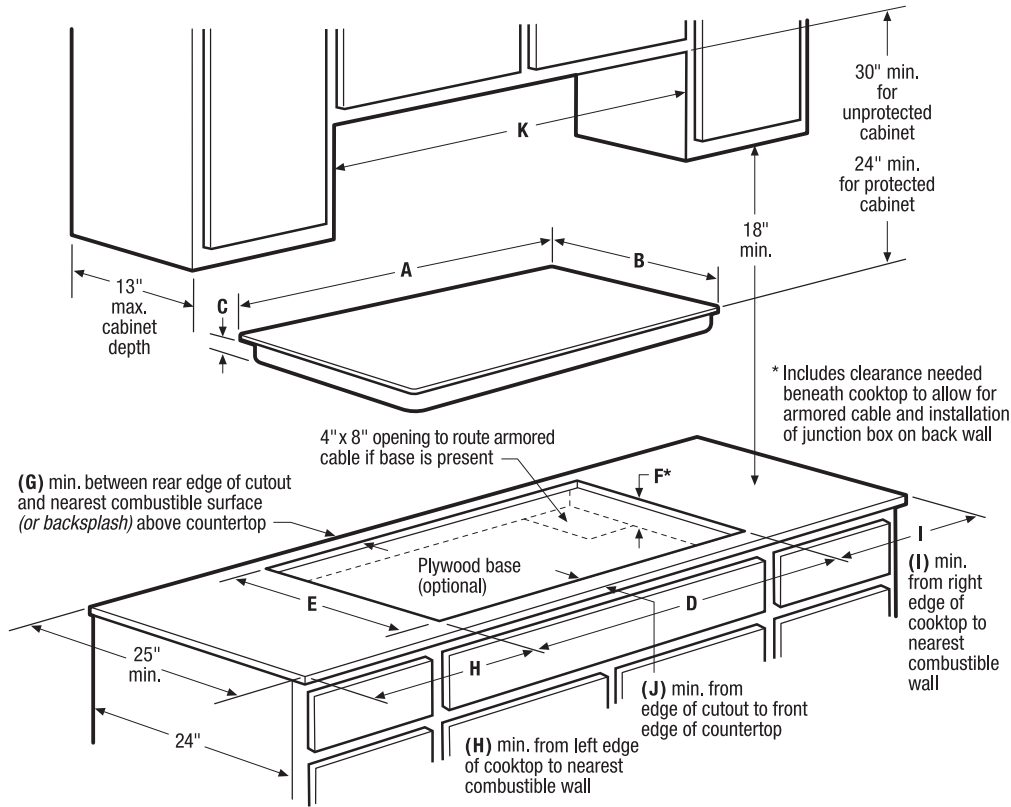
NOTE: For planning purposes only. Always consult local and national electric codes. Refer to Product Installation Guide for detailed installation instructions on the web at frigidaire.com.



Product Dimensions		Cutout Dimensions	
A - Width	36-3/4"	Width (Min.) / (Max.)	35-7/8" / 36"
B - Depth	21-1/2"	Depth (Min.) / (Max.)	20-3/8" / 20-1/2"
C - Height	4-3/8"	Height	4-1/2"

Granite Countertop Installation Kit available.

Accessories information available on the web at frigidaire.com



Product Dimensions			Required Clearances			
A - Width	B - Depth	C - Height	G (min.)	H (min.)	I (min.)	J (min.)
36-3/4"	21-1/2"	4-3/8"	2"	7-1/2"	7-1/2"	2-1/2"
Product Cutout Dimensions			K - Cabinet Opening Width (min.)		Utility Connection Locations	
D - Width (min. - max.)	E - Depth (min. - max.)	F - Height (min.)*	36-3/4"		Power Supply	
35-7/8" - 36"	20-3/8" - 20-1/2"	4-1/2"			Right Rear	

Built-In Cooktop Specifications

- Product Shipping Weight (approx.) - 65 Lbs.
- Single phase 3- or 4-wire cable, 120/240 or 120/208 Volt, 60 Hertz AC only electrical supply with ground required on separate circuit fused on both sides of line.
- Connected Load (kW Rating) @ 240/208 Volts = 9.4/7.5kW
- Amps @ 240/208 Volts = 39.2/36.1 Amps
- Recommended Circuit Breaker - 40 Amps
- Always consult local and national electric codes.
- Cooktop cutout height includes clearance needed beneath cooktop to allow for armored cable and installation of junction box on back wall. Position center of junction box 10" inward from right side of cooktop cutout, and 12" down from underside of countertop.
- Overhead cabinetry should not exceed a 13" maximum depth.
- Absolute minimum horizontal distance between overhead cabinets installed to either side of appliance must be no less than 36".
- Allow 30" minimum clearance between top of cooktop platform and bottom of unprotected wood or metal overhead cabinet; or 24" minimum clearance when bottom of wood or metal overhead cabinet is protected by not less than 1/8" flame-retardant millboard covered with not less than No. 28 MGS sheet steel, 0.015" stainless steel, 0.024" aluminum or 0.020" copper.
- Allow 2" minimum clearance between rear edge of cutout and nearest combustible surface (or backsplash) above countertop.

- Allow 7-1/2" minimum required clearance from left edge of cooktop to nearest combustible wall and 7-1/2" minimum from right edge of cooktop to nearest combustible wall.
- Installation of drawer not recommended beneath cooktop.
- To reduce risk of fire when using overhead cabinetry, install range hood that projects horizontally a recommended minimum of 5" beyond bottom of cabinets.
- Electric Built-In Cooktop model FPCC3685K is approved to be used over any Frigidaire® Electric Single Wall Oven. (Refer to *Electric Cooktop Installation Over 30"/27" Electric Single Wall Oven Specifications page on web.*)
- Electric Built-In Cooktop model FPCC3685K is approved to be used in combination with Frigidaire® 36" Downdraft Vent E36DD75ESS or PL36DD50EC. (Refer to *model-specific Downdraft Vent product page on web for detailed countertop preparation specifications.*)

Note: For planning purposes only. Refer to Product Installation Guide on the web at frigidaire.com for detailed instructions.

Optional Accessories

- Granite Countertop Installation Kit - (PN # 903061-9010).

FRIGIDAIRE

USA • 10200 David Taylor Drive • Charlotte, NC 28262 • 1-800-FRIGIDAIRE • frigidaire.com
CANADA • 5855 Terry Fox Way • Mississauga, ON L5V 3E4 • 1-800-265-8352 • frigidaire.ca

FPCC3685K 03/11

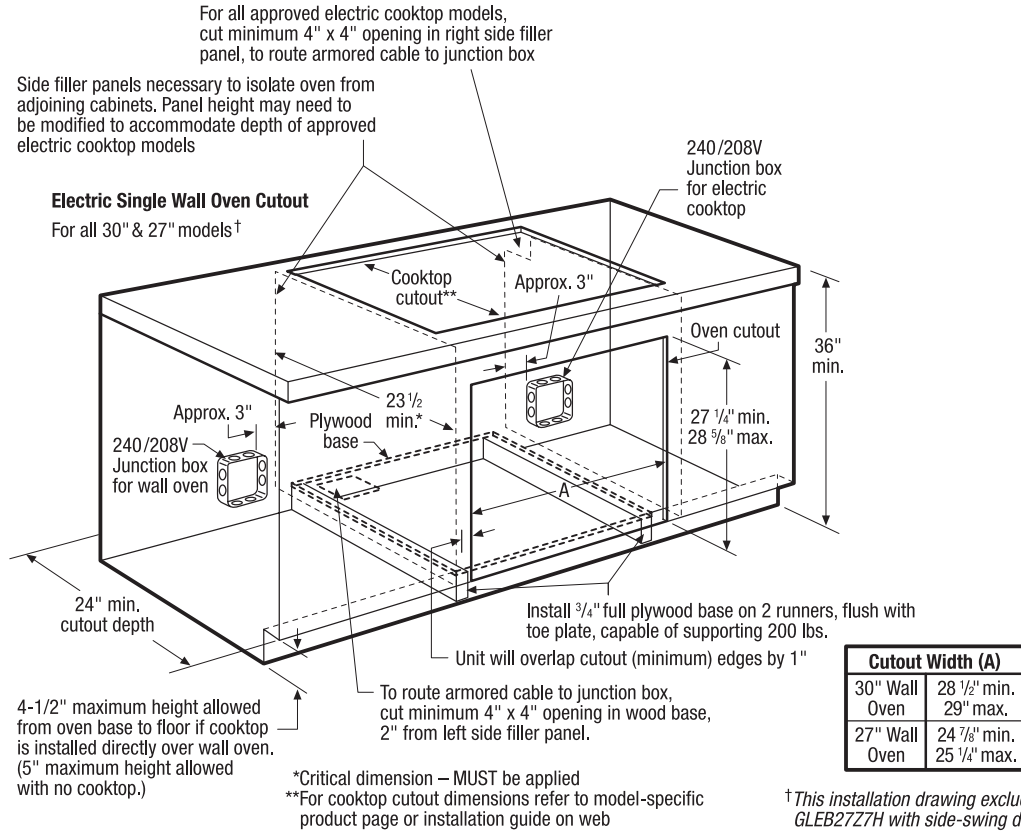
© 2011 Electrolux Home Products, Inc.

Accessories information available on the web at frigidaire.com



Specifications subject to change.

Printed in the U.S.A.



30"/27" Electric Single Wall Oven Under-Counter Installation Specifications

- Single phase 3- or 4-wire cable, 120/240 or 120/208 Volt, 60 Hertz AC only electrical supply with ground required on separate circuit fused on both sides of line.
- For detailed electrical requirements, refer to model-specific product page and installation guide on web.
- Always consult local and national electric codes.
- Minimum 21" clearance for oven door depth when open.
- Minimum 23-1/2" deep cutout dimension is critical for proper installation, to ensure that oven's faceplate will fit flush against cabinet front.
- Side filler panels necessary to isolate oven from adjoining cabinets.
- Full oven base of solid plywood or similar material required, capable of supporting 200 Lbs. (30" models) or 150 Lbs. (27" models). Install over two runners and flush with toe plate.
- Base must be level and cabinet front must be square.
- Allow 5" maximum height from oven base to floor, if NO cooktop is installed directly over wall oven.

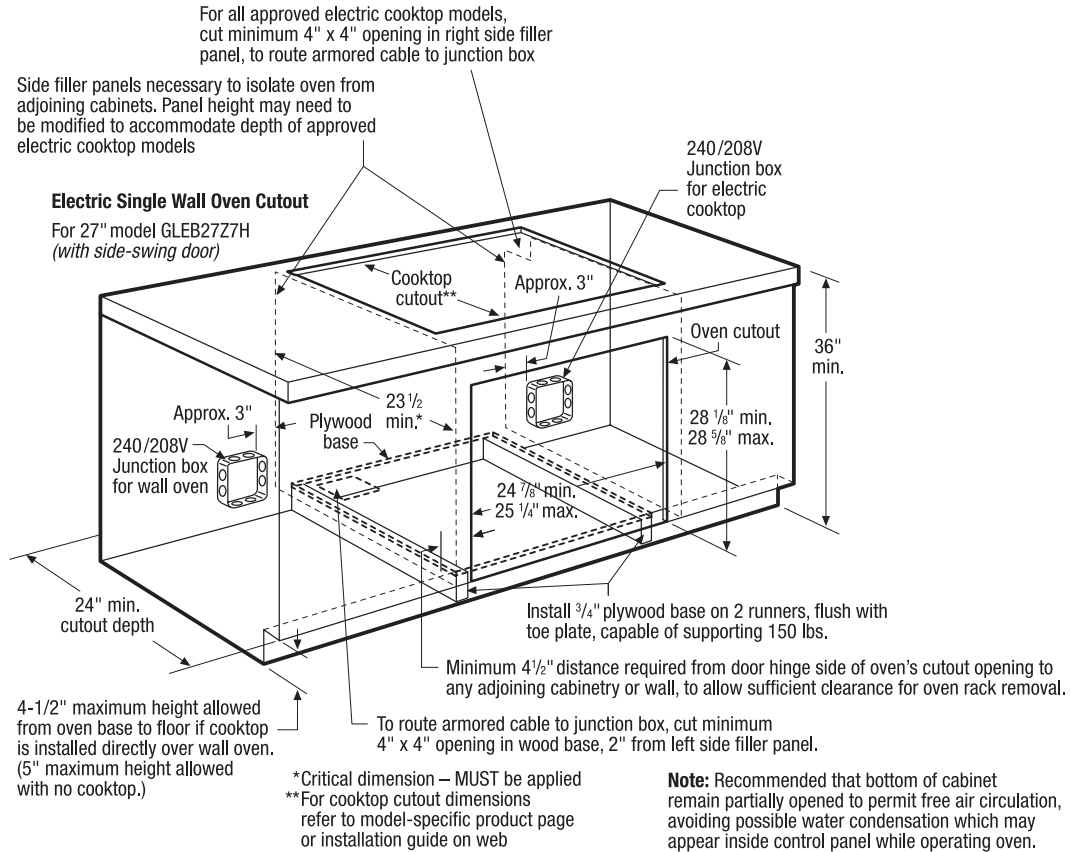
Electric Cooktop Installation Over 30"/27" Electric Single Wall Oven Specifications

All Frigidaire® Electric Single Wall Ovens are approved to be used beneath any approved Frigidaire® Electric Cooktop. (This installation page excludes approved wall oven model GLEB27Z7H. For model-specific installation details, refer to Electric Cooktop Installation Over 27" Electric Single Wall Oven GLEB27Z7H Specifications pages on web.)

For detailed Electric Cooktop installation, refer to model-specific product page and installation guide on web.

- Side filler panel height may need to be modified to accommodate the depth of approved electric cooktop models.
- To route armored cable to junction box, cut minimum 4" x 4" opening in right side filler panel.
- Allow 4-1/2" maximum height from oven base to floor, if cooktop is installed directly over wall oven.

Note: For planning purposes only. Refer to Product Installation Guide on the web at frigidaire.com for detailed instructions.



27" Electric Single Wall Oven (GLEB27Z7H) Under-Counter Installation Specifications

- Single phase 3- or 4-wire cable, 120/240 or 120/208 Volt, 60 Hertz AC only electrical supply with ground required on separate circuit fused on both sides of line.
- For detailed electrical requirements, refer to model-specific product page and installation guide on web.
- Always consult local and national electric codes.
- Minimum 27-1/4" clearance for oven door depth when open.
- Minimum 23-1/2" deep cutout dimension is critical for proper installation, to ensure that oven's faceplate will fit flush against cabinet front.
- Minimum 4-1/2" distance required from door hinge side of oven's cutout opening to any adjoining cabinetry or wall, to allow sufficient clearance for oven rack removal.
- Side filler panels necessary to isolate oven from adjoining cabinets.
- Oven base of solid plywood or similar material required, capable of supporting 150 Lbs. Install over two runners and flush with toe plate.
- Base must be level and cabinet front must be square.
- Recommended that bottom of cabinet remain partially opened to permit free air circulation, avoiding possible water condensation which may appear inside control panel while operating oven.
- Allow 5" maximum height from oven base to floor, if NO cooktop is installed directly over wall oven.

Electric Cooktop Installation Over 27" Electric Single Wall Oven (GLEB27Z7H) Specifications

- Frigidaire® Single Wall Oven model GLEB27Z7H is approved to be used beneath any approved Frigidaire® Electric Cooktop.
- For detailed Electric Cooktop installation, refer to model-specific product page and installation guide on web.
- Side filler panel height may need to be modified to accommodate the depth of approved electric cooktop models.
 - To route armored cable to junction box, cut minimum 4" x 4" opening in right side filler panel.
 - Allow 4-1/2" maximum height from oven base to floor, if cooktop is installed directly over wall oven.

Note: For planning purposes only. Refer to Product Installation Guide on the web at frigidaire.com for detailed instructions.