

Frigidaire

Factory Parts Catalog

Product No.	PLEW27S3FCA
	31257200760S1
Series	27"
Color	stainless
Market	North America
Wiring Diagram	318049901
Owner's Guide	318201007
Installation Instructions	318201807

 **Electrolux**

Electrolux Major Appliances
North & Latin America
P.O. BOX 212378
AUGUSTA, GA 30917

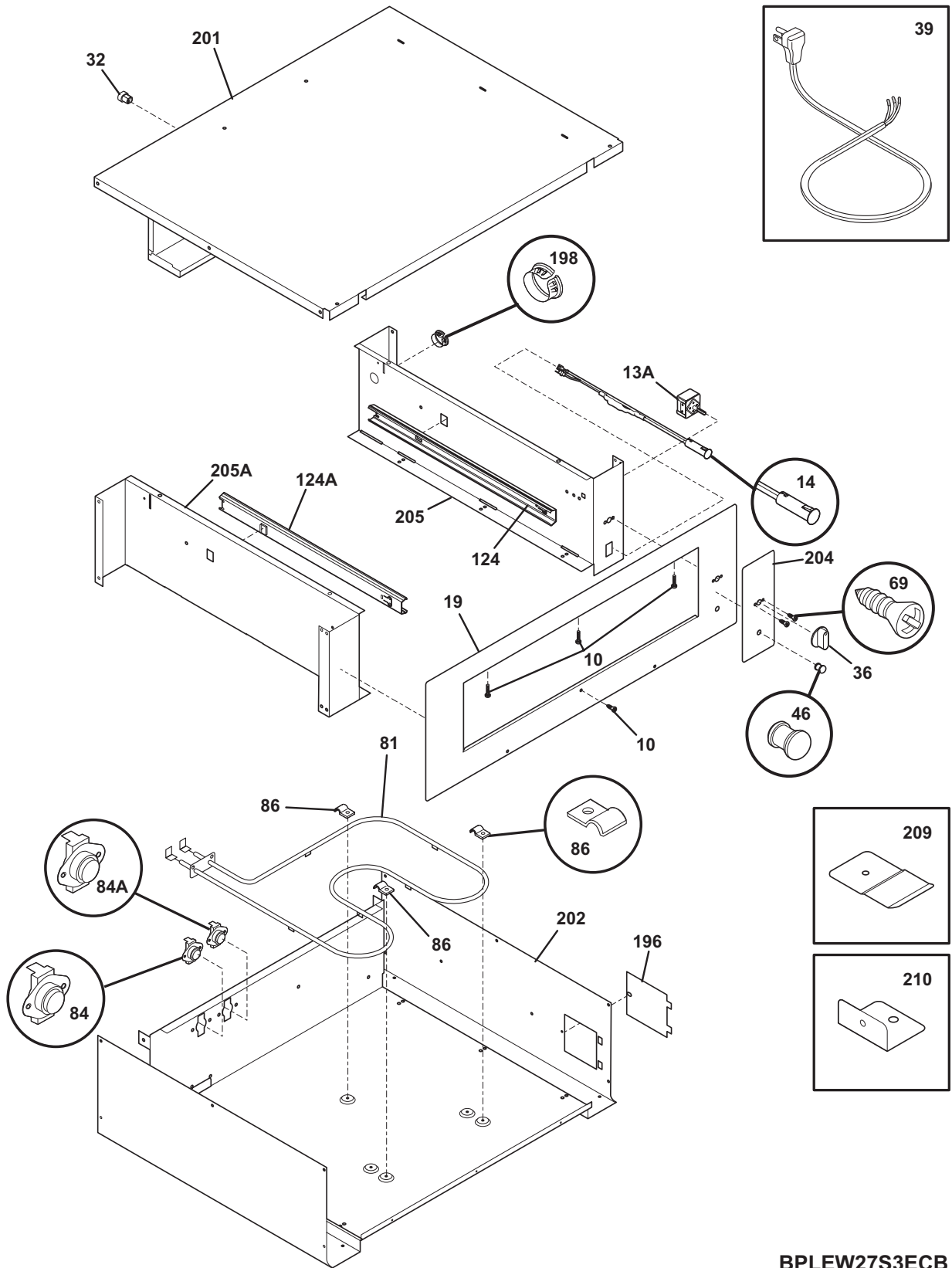
Publication No.
5995471603
06/08/03
(EN/SERVICE/BJH)
377

WARMER DRAWER

Model No.
PLEW27S3F

Copyright © 2006 Electrolux Home Products, Inc.
All rights reserved.

BODY

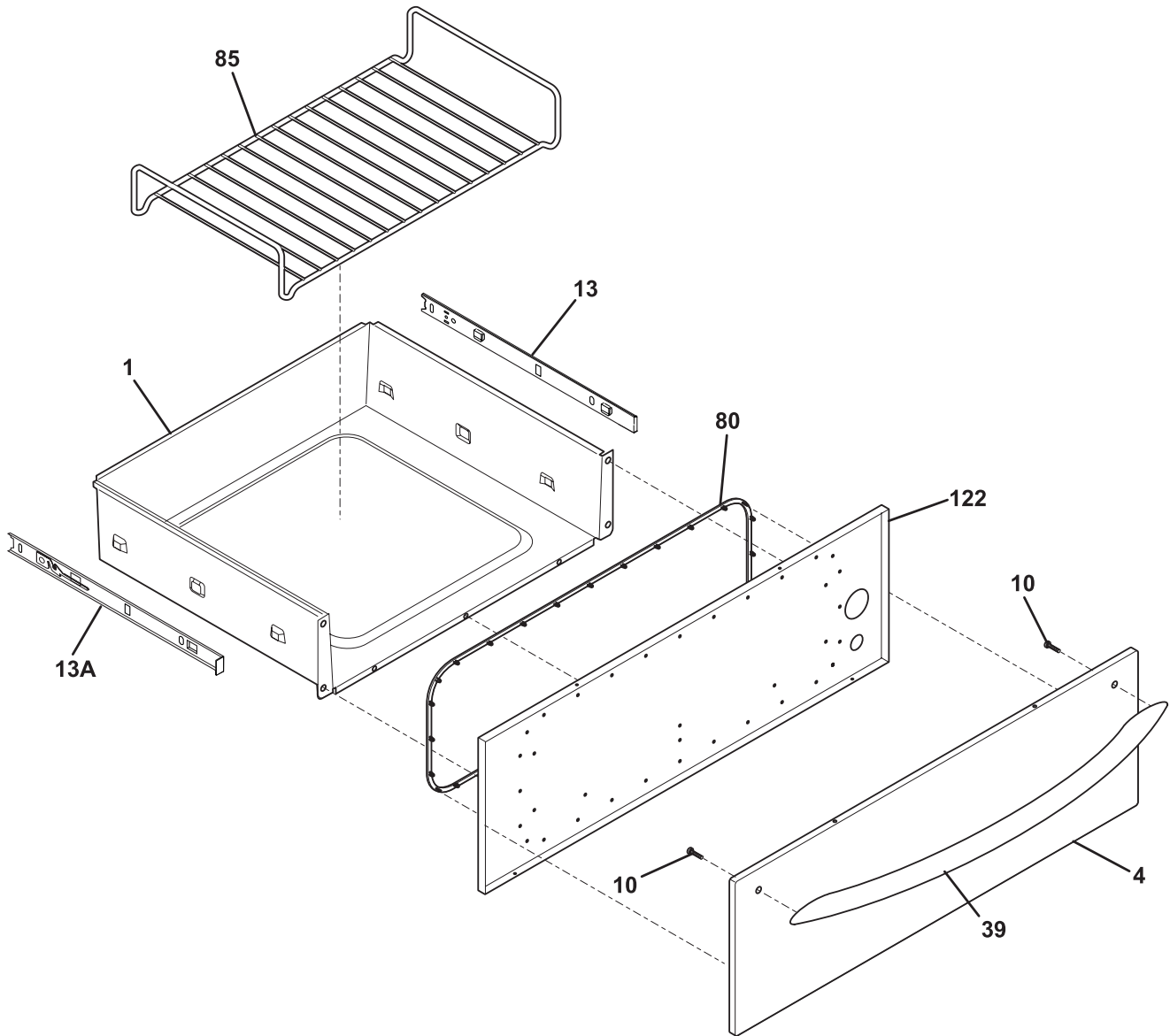


BPLEW27S3ECB

BODY

POS. NO	PART NO.	DESCRIPTION
10	5304436875	Screw, 8-18 X 1/2, black
13A	316095500	Switch, infinite, warmer
14	5303051533	Light, indicator
19	318281403	Panel, control, black
32	318228100	Strain relief
36	318017600	Knob, warmer
39	318144005	Cord, service
46	5308006417	Lens, indicator lamp, red, (2)
69	5303323134	Screw, 8-32 x 0.188
81 #	318255300	Element, warmer drawer
84 #	318005103	Thermostat, safety
84A#	318005104	Thermostat, safety
86	316095800	Clip, hold down, warmer element
124	318259300	Channel, drawer, RH, outer
124A	318259301	Channel, drawer, LH, outer
196	318100100	Cover, access
198	08008009	Bushing, side panel, nylon, RH, snap
201	318281502	Wrapper, upper
202	318281001	Wrapper, lower
204	318021908	Decorative plate, black
205	318281205	Panel, side, black, RH
205A	318281305	Panel, side, black, LH
209	318247401	Bracket, wall
209*	5303302745	Screw, 10-16x1-1/8, square drive
210	318262300	Bracket, front support, (2)
*	318199735	Wiring Harness
*	08067961	Fastener, clip cable
*	5303211311	Screw, 8 x 0.500
*	5303323140	Screw, ground, 10-32 x 0.375

DRAWER



DPLEW27S3ECA

DRAWER

POS. NO	PART NO.	DESCRIPTION
1	318314603	Drawer, warmer
4	318280708	Panel, drawer front, stainless
10	5303311174	Screw, 10-24 x 3/8
*	5303304015	Washer, padded
13	318259400	Channel, drawer, RH, inner
13A	318259401	Channel, drawer, LH, inner
39	318219801	Handle, door/drawer, stainless
80	318254401	Gasket, warmer drawer
85	318257600	Rack, warmer drawer
122	318281611	Panel, drawer, black, interior
*	5303300265	Screw, 8-18 X 1/2, (2)

WIRING DIAGRAM

