

Freestanding Ranges

CFEF3005LW

30" Electric



Product Dimensions

Height	47"
Width	29-7/8"
Depth	28-1/2"

More Easy-To-Use Features

Store-More™ Storage Drawer
Our convenient drawer gives you extra storage space in your kitchen.

Quick Clean
For a quick, light oven cleaning.

Extra-Large Window
Our extra-large oven window lets you easily see what's inside.

Delay Start Baking Option

Delay Clean
Set the oven to begin cleaning on your schedule.

Hi/Lo Broil Option
Offers two-position broiling and variable temperature control for more control.

Auto Shut-Off
As an extra safety measure, the oven will automatically shut off after 12 hours.

Timed Cook Option

Bright Lighting
Our bright lighting makes it easy to see what's inside.

Colour-Coordinated Porcelain Drip Bowls

Available in:



Signature Features

Ready-Select™ Controls

Select options or control cooking temperature with our easy-to-use controls.

Large Capacity

Our large capacity oven gives you room to cook more at once.

One-Touch Self Clean

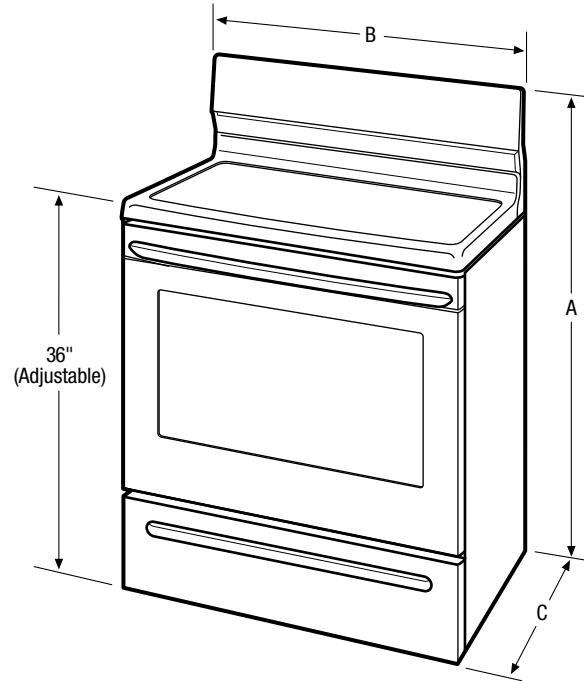
Start the self-cleaning cycle with just the touch of a button.

Even Baking Technology

Our latest technology ensures even baking every time.

Elements	Size	Watts
Right Front	6"	1,500
Right Rear	6"	1,500
Left Front	8"	2,600
Left Rear	8"	2,600

Features	
Oven Control/Timing System	Ready-Select™ Controls
Surface Type	Colour-Coordinated Porcelain
Window	Extra-Large
Exterior Door Finish	Colour-Coordinated
Handle Design	Colour-Coordinated
Exterior Finish	Colour-Coordinated
Convection System	
Cleaning System	Self Clean
Drawer Functionality	Storage
Oven Controls	
Bake	Yes
Broil	Low and High
Add-a-Minute	
Delay Bake	Yes
Self-Clean	Yes
Quick Clean Option	Yes
Delay Clean	Yes
Kitchen Timer	Yes
Timed Cook Option	Yes
Auto Oven Shutoff	12 Hours
Cooktop Features	
Right Front Coil Element (Watts)	6" - 1,500
Right Rear Coil Element (Watts)	6" - 1,500
Left Front Coil Element (Watts)	8" - 2,600
Left Rear Coil Element (Watts)	8" - 2,600
Center Element (Watts)	
Drip Bowls	Colour-Coordinated Porcelain
Hot Surface Indicator Light	
Oven Features	
Capacity (Cu. Ft.)	5.3
Oven Light	Yes
Hidden Bake Element	
Rack Configuration	2 Standard
Even Baking System	Yes
Broiling System	Vari-Broil™ Hi/Lo
Bake Element/Broil Element (Watts)	2,600/3,000
Specifications	
Oven Interior (H x W x D)	21" x 24-3/8" x 19-1/8"
Power Supply Connection Location	Centerline Lower Rear
Voltage Rating	240V/208V
Connected Load (kW Rating) @ 240/208 Volts	11.5/8.5
Minimum Circuit Required (Amps)	40
Shipping Weight (Approx.)	138 Lbs.

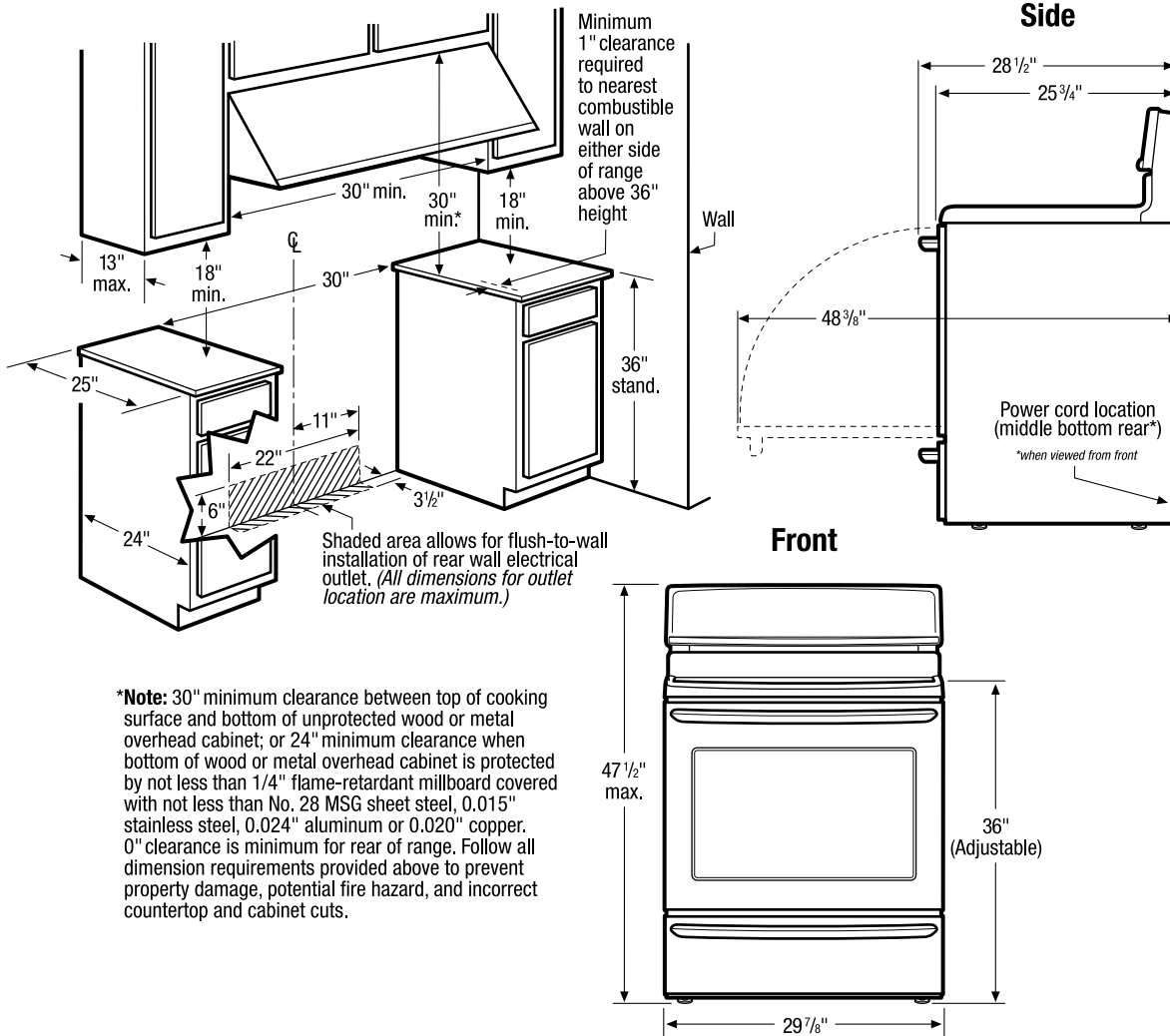


NOTE: Always consult local and national electric codes. Refer to Product Installation Guide for detailed installation instructions on the web at frigidaire.ca.



Product Dimensions		Cutout Dimensions	
A - Height	47"	Height	36"
B - Width	29-7/8"	Width	30"
C - Depth	28-1/2"	Depth	24"
Depth with Door Open 90°	48-3/8"		

Accessories information available on the web at frigidaire.ca



Freestanding Range Specifications

- Product Shipping Weight (approx.) - 140 Lbs.
- Single phase 3- or 4-wire cable, 120/240 or 120/208 Volt, 60 Hertz, fused on both sides of line with ground.
- Connected Load (kW Rating) @ 240/208 Volts = 12.5/9.5kW
- Recommended Circuit Breaker - 40 Amps
- Always consult local and national electric codes.
- Make sure wall coverings around range can withstand heat generated by range.
- Linoleum or any other synthetic floor covering located beneath range, must be capable of withstanding minimum heat of 90°F above room temperature without shrinking, warping or discolouring. Insulating pad or 1/4"-thick plywood required between range and a carpeted floor.
- Floor beneath range MUST be solid and level.
- Overhead cabinetry should not exceed a 13" maximum depth.
- Absolute minimum horizontal distance between overhead cabinets installed to either side of appliance must be no less than maximum width of appliance.

- Range can be installed flush to wall with 0" minimum rear clearance.
- Minimum 1" clearance required from edge of rangetop to nearest combustible wall on either side of range above 36" height.
- Allow 30" minimum clearance between top of cooking surface and bottom of unprotected wood or metal overhead cabinet; or 24" minimum clearance when bottom of wood or metal overhead cabinet is protected by not less than 1/4" flame retardant millboard covered with not less than No. 28 MSG sheet steel, 0.015" stainless steel, 0.024" aluminum or 0.020" copper.
- To reduce risk of fire when using overhead cabinetry, install range hood that projects horizontally a recommended minimum of 5" beyond bottom of cabinets.
- Follow all dimension requirements provided to prevent property damage, potential fire hazard, and incorrect countertop and cabinet cuts.

Note: For planning purposes only. Refer to Product Installation Guide on the web at frigidaire.ca for detailed instructions.